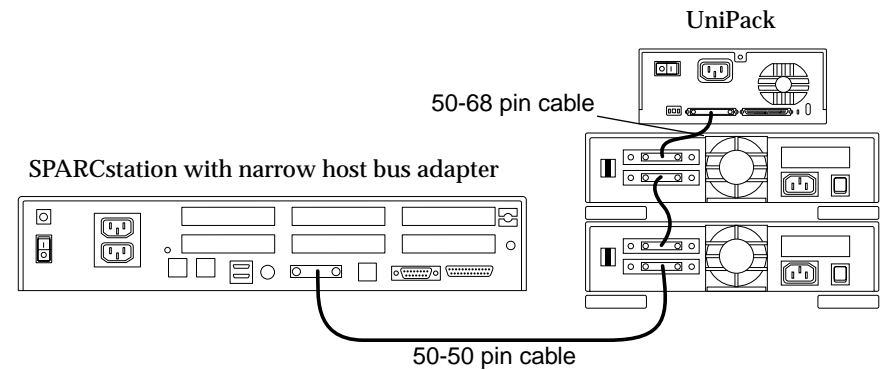
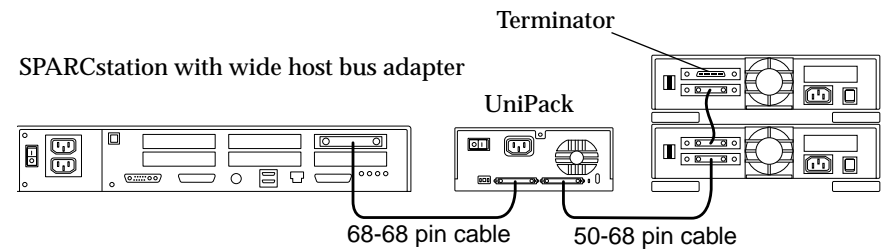
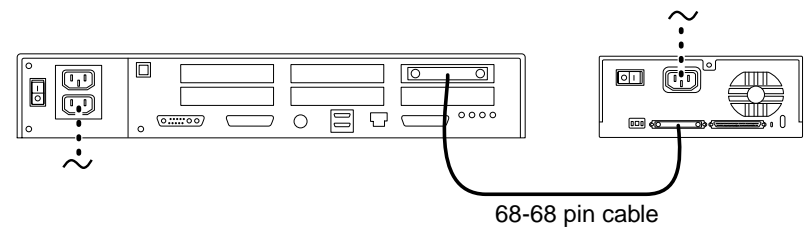


1. **Refer to the *Solaris Handbook for SMCC Peripherals* or the *Solaris AnswerBook* online documentation for information on configuring your system for use.**
2. **Read the information in the *Sun StorEdge UniPack User's Guide* that applies to your unit.**  
Your hardware configuration determines the number and distribution of SCSI addresses available.
3. **Verify the total SCSI bus lengths for your system and all peripherals.**  
The total length of all external cables and internal bus lengths will affect the SCSI bus speeds. See the tables in Appendix A of the *Sun StorEdge UniPack User's Guide*.
4. **Shut down the operating system.**
5. **Determine which SCSI addresses are unused and available on your system.**
6. **Change the addresses of other devices, if necessary.**
7. **Turn off the power to the workstation and the peripherals.**
8. **Connect the cables (ordered separately).**
9. **Turn on the power to the peripherals and then to the workstation.**
10. **Configure the system.**



### Notes on Termination and Chaining

The Sun StorEdge UniPack device is self-terminating. For more information about termination, see the *Sun StorEdge UniPack User's Guide*. See the label on the inside cover of the enclosure for more information about chaining.

For UltraSCSI performance, a maximum of four external ultraSCSI drives, no external tape, CD-ROM, or non-ultraSCSI UniPack on the same bus, use 0.8 m cable ONLY between UniPack units.

---

## Ordering Sun Documents

SunDocs<sup>SM</sup> is a distribution program for technical documentation and is available from SunExpress<sup>TM</sup>. You can find a full listing of available documentation on the World Wide Web:

<http://www.sun.com/sunexpress/>

To order or for more information:

Telephone: 1-800-873-7869 (North America only)

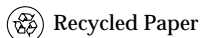
## Reader Comments

Your comments and suggestions are important to us. Please let us know what you think about the *Sun StorEdge UniPack Installation*, part number 805-3942-10.

You can send detailed comments via email to [smcc-docs@sun.com](mailto:smcc-docs@sun.com).

Copyright 1998 Sun Microsystems, Inc. All rights reserved. Protected by copyright and licenses restricting use, copying, distribution, and decompilation. Sun, Sun Microsystems, the Sun Logo, StorEdge, SunSoft, and Solaris are trademarks or registered trademarks of Sun Microsystems, Inc. in the United States and in other countries. Portions of this product may be derived from the UNIX<sup>®</sup> system, licensed from Novell, Inc., and from the Berkeley 4.3 BSD system, licensed from the University of California. UNIX is a registered trademark in the United States and in other countries and is exclusively licensed by X/Open Company Ltd. Third-party software, including font technology in this product, is protected by copyright and licensed from Sun's suppliers. RESTRICTED RIGHTS: Use, duplication, or disclosure by the U.S. Government is subject to restrictions of FAR 52.227-14(g)(2)(6/87) and FAR 52.227-19(6/87), or DFAR 252.227-7015(b)(6/95) and DFAR 227.7202-3(a).

Copyright 1998 Sun Microsystems, Inc. Tous droits réservés. Protégé par un copyright et distribué par des licences qui en restreignent l'utilisation, la copie, la distribution, et la décompilation. Sun, Sun Microsystems, le logo Sun, StorEdge, SunSoft, et Solaris sont des marques déposées ou enregistrées de Sun Microsystems, Inc. aux Etats-Unis et dans d'autres pays. Des parties de ce produit pourront être dérivées du système UNIX<sup>®</sup> licencié par Novell, Inc. et du système Berkeley 4.3 BSD licencié par l'Université de Californie. UNIX est une marque enregistrée aux Etats-Unis et dans d'autres pays, et licenciée exclusivement par X/Open Company Ltd. Le logiciel détenu par des tiers, et qui comprend la technologie relative aux polices de caractères, est protégé par un copyright et licencié par des fournisseurs de Sun.



---

## SUN<sup>TM</sup> StorEdge<sup>TM</sup> UniPack Installation

