

# *SPARCstorage™ UniPack User's Guide*



**THE NETWORK IS THE COMPUTER®**

**Sun Microsystems Computer Company**

A Sun Microsystems, Inc. Business  
2550 Garcia Avenue  
Mountain View, CA 94043 USA  
415 960-1300 fax 415 969-9131

Part No.: 802-3228-11  
Revision A, August 1996

Copyright 1996 Sun Microsystems, Inc. 2550 Garcia Avenue, Mountain View, California 94043-1100 U.S.A.

All rights reserved. This product or document is protected by copyright and distributed under licenses restricting its use, copying, distribution, and decompilation. No part of this product or document may be reproduced in any form by any means without prior written authorization of Sun and its licensors, if any.

Portions of this product may be derived from the UNIX<sup>®</sup> system and from the Berkeley 4.3 BSD system, licensed from the University of California. UNIX is a registered trademark in the United States and in other countries and is exclusively licensed by X/Open Company Ltd. Third-party software, including font technology in this product, is protected by copyright and licensed from Sun's suppliers.

RESTRICTED RIGHTS LEGEND: Use, duplication, or disclosure by the government is subject to restrictions as set forth in subparagraph (c)(1)(ii) of the Rights in Technical Data and Computer Software clause at DFARS 252.227-7013 and FAR 52.227-19.

Sun, Sun Microsystems, the Sun logo, AnswerBook, SunExpress, SunDocs, and Solaris are trademarks or registered trademarks of Sun Microsystems, Inc. in the United States and in other countries. All SPARC trademarks are used under license and are trademarks or registered trademarks of SPARC International, Inc. in the United States and in other countries. Products bearing SPARC trademarks are based upon an architecture developed by Sun Microsystems, Inc.

The OPEN LOOK<sup>®</sup> and Sun<sup>™</sup> Graphical User Interfaces were developed by Sun Microsystems, Inc. for its users and licensees. Sun acknowledges the pioneering efforts of Xerox Corporation in researching and developing the concept of visual or graphical user interfaces for the computer industry. Sun holds a nonexclusive license from Xerox to the Xerox Graphical User Interface, which license also covers Sun's licensees who implement OPEN LOOK GUIs and otherwise comply with Sun's written license agreements.

X Window System is a trademark of X Consortium, Inc.

THIS PUBLICATION IS PROVIDED "AS IS" WITHOUT WARRANTY OF ANY KIND, EITHER EXPRESS OR IMPLIED, INCLUDING, BUT NOT LIMITED TO, THE IMPLIED WARRANTIES OF MERCHANTABILITY, FITNESS FOR A PARTICULAR PURPOSE, OR NON-INFRINGEMENT.

---

Copyright 1996 Sun Microsystems, Inc., 2550 Garcia Avenue, Mountain View, Californie 94043-1100 U.S.A.

Tous droits réservés. Ce produit ou document est protégé par un copyright et distribué avec des licences qui en restreignent l'utilisation, la copie et la décompilation. Aucune partie de ce produit ou de sa documentation associée ne peut être reproduite sous aucune forme, par quelque moyen que ce soit, sans l'autorisation préalable et écrite de Sun et de ses bailleurs de licence, s'il y en a.

Des parties de ce produit pourront être dérivées du système UNIX<sup>®</sup> et du système Berkeley 4.3 BSD licencié par l'Université de Californie. UNIX est une marque enregistrée aux Etats-Unis et dans d'autres pays, et licenciée exclusivement par X/Open Company Ltd. Le logiciel détenu par des tiers, et qui comprend la technologie relative aux polices de caractères, est protégé par un copyright et licencié par des fournisseurs de Sun.

Sun, Sun Microsystems, le logo Sun, AnswerBook, SunExpress, SunDocs, et Solaris sont des marques déposées ou enregistrées de Sun Microsystems, Inc. aux Etats-Unis et dans d'autres pays. Toutes les marques SPARC, utilisées sous licence, sont des marques déposées ou enregistrées de SPARC International, Inc. aux Etats-Unis et dans d'autres pays. Les produits portant les marques SPARC sont basés sur une architecture développée par Sun Microsystems, Inc.

Les utilisateurs d'interfaces graphiques OPEN LOOK<sup>®</sup> et Sun<sup>™</sup> ont été développés de Sun Microsystems, Inc. pour ses utilisateurs et licenciés. Sun reconnaît les efforts de pionniers de Xerox Corporation pour la recherche et le développement du concept des interfaces d'utilisation visuelle ou graphique pour l'industrie de l'informatique. Sun détient une licence non exclusive de Xerox sur l'interface d'utilisation graphique, cette licence couvrant aussi les licenciés de Sun qui mettent en place les utilisateurs d'interfaces graphiques OPEN LOOK et qui en outre se conforment aux licences écrites de Sun.

Le système X Window est un produit du X Consortium, Inc.

CETTE PUBLICATION EST FOURNIE "EN L'ETAT" SANS GARANTIE D'AUCUNE SORTE, NI EXPRESSE NI IMPLICITE, Y COMPRIS, ET SANS QUE CETTE LISTE NE SOIT LIMITATIVE, DES GARANTIES CONCERNANT LA VALEUR MARCHANDE, L'APTITUDE DES PRODUITS A REPENDRE A UNE UTILISATION PARTICULIERE OU LE FAIT QU'ILS NE SOIENT PAS CONTREFAISANTS DE PRODUITS DE TIERS.



## *Regulatory Compliance Statements*

Your Sun product is marked to indicate its compliance class:

- Federal Communications Commission (FCC) — USA
- Department of Communications (DOC) — Canada
- Voluntary Control Council for Interference (VCCI) — Japan

Please read the appropriate section that corresponds to the marking on your Sun product before attempting to install the product.

### *FCC Class A Notice*

This device complies with Part 15 of the FCC Rules. Operation is subject to the following two conditions:

1. This device may not cause harmful interference.
2. This device must accept any interference received, including interference that may cause undesired operation.

**Note:** This equipment has been tested and found to comply with the limits for a Class A digital device, pursuant to Part 15 of the FCC Rules. These limits are designed to provide reasonable protection against harmful interference when the equipment is operated in a commercial environment. This equipment generates, uses and can radiate radio frequency energy and, if not installed and used in accordance with the instruction manual, may cause harmful interference to radio communications. Operation of this equipment in a residential area is likely to cause harmful interference in which case the user will be required to correct the interference at his own expense.

**Shielded Cables:** Connections between the workstation and peripherals must be made using shielded cables in order to maintain compliance with FCC radio frequency emission limits. Networking connections can be made using unshielded twisted-pair (UTP) cables.

**Modifications:** Any modifications made to this device that are not approved by Sun Microsystems, Inc. may void the authority granted to the user by the FCC to operate this equipment.

### *FCC Class B Notice*

This device complies with Part 15 of the FCC Rules. Operation is subject to the following two conditions:

1. This device may not cause harmful interference.
2. This device must accept any interference received, including interference that may cause undesired operation.

**Note:** This equipment has been tested and found to comply with the limits for a Class B digital device, pursuant to Part 15 of the FCC Rules. These limits are designed to provide reasonable protection against harmful interference in a residential installation. This equipment generates, uses and can radiate radio frequency energy and, if not installed and used in accordance with the instructions, may cause harmful interference to radio communications. However, there is no guarantee that interference will not occur in a particular installation. If this equipment does cause harmful interference to radio or television reception, which can be determined by turning the equipment off and on, the user is encouraged to try to correct the interference by one or more of the following measures:

- Reorient or relocate the receiving antenna.
- Increase the separation between the equipment and receiver.
- Connect the equipment into an outlet on a circuit different from that to which the receiver is connected.
- Consult the dealer or an experienced radio/television technician for help.

**Shielded Cables:** Connections between the workstation and peripherals must be made using shielded cables in order to maintain compliance with FCC radio frequency emission limits. Networking connections can be made using unshielded twisted pair (UTP) cables.

**Modifications:** Any modifications made to this device that are not approved by Sun Microsystems, Inc. may void the authority granted to the user by the FCC to operate this equipment.

## *DOC Class A Notice - Avis DOC, Classe A*

This Class A digital apparatus meets all of requirements the Canadian Interference-Causing Equipment Regulations.  
Cet appareil numérique de la classe A respecte toutes les exigences du Règlement sur le matériel brouilleur du Canada.

## *DOC Class B Notice - Avis DOC, Classe B*

This Class B digital apparatus meets all of requirements the Canadian Interference-Causing Equipment Regulations.  
Cet appareil numérique de la classe B respecte toutes les exigences du Règlement sur le matériel brouilleur du Canada.

## VCCI 基準について


### 第一種VCCI基準について

第一種VCCIの表示があるワークステーションおよびオプション製品は、第一種情報装置です。これらの製品には、下記の項目が該当します。

この装置は、第一種情報装置(商工業地域において使用されるべき情報装置)で商工業地域での電波障害防止を目的とした情報処理装置等電波障害自主規制協議会(VCCI)基準に適合しております。したがって、本製品を、住宅地域または住宅地域に隣接した地域でご使用になりますと、ラジオ、テレビジョン受信機等に受信障害を与えることがあります。

取り扱い説明書に従って正しくお取り扱いください。

### 第二種VCCI基準について

第二種VCCIの表示  があるワークステーションおよびオプション製品は、第二種情報装置です。これらの製品には、下記の項目が該当します。

この装置は、第二種情報装置(住宅地域または住宅地域に隣接した地域において使用されるべき情報装置)で住宅地域での電波障害防止を目的とした情報処理装置等電波障害自主規制協議会(VCCI)基準に適合しております。しかし、本製品を、ラジオ、テレビジョン受信機に近接してご使用になりますと、受信障害の原因となることがあります。

取り扱い説明書に従って正しくお取り扱いください。

# *Contents*

---

Preface.....	vii
Installation Notes.....	viii
Status LED .....	viii
SCSI Termination.....	viii
Patches .....	viii
<b>1. Drive Information.....</b>	<b>1</b>
CD-ROM Drive.....	1
Software Commands.....	1
Cleaning a CD .....	2
Handling and Storing CDs.....	2
Inserting a CD .....	2
Emergency Ejection.....	3
Hard Disk Drive.....	4
Software Commands.....	4
Tape Drive.....	5

---

Software Commands .....	5
Cleaning .....	5
Tape Cartridge .....	6
<b>A. Service Labels</b> .....	<b>7</b>
<b>B. Safety Agency Compliance</b> .....	<b>11</b>
Index .....	21

## *Preface*

---

This guide contains general information about SPARCstorage™ UniPack CD-ROM, hard disk, and tape drives. See the specification sheet that was sent along with this documentation for drive-specific information.

## *UNIX Commands*

This document contains brief descriptions of commonly used UNIX commands. See these sources for more specific information on commands and procedures:

- The *Solaris Handbook for SMCC Peripherals* that corresponds to your operating system
- AnswerBook™ on-line documentation, which contains the complete set of the Solaris™ 1.x or Solaris 2.x environments documentation
- Other software documentation that you received with your system

Refer to the *Solaris Handbook for SMCC Peripherals* that corresponds to your operating system for information about shutting down and configuring your system.

---

## *Installation Notes*

The following notes supplement information in the *SPARCstorage UniPack Installation* card.

### *Status LED*

When power is applied to the enclosure, a green status LED (located on the front of the unit in the lower right corner) is lit.

If your enclosure has a hard disk, the LED blinks to show small computer system interface (SCSI) bus activity.

---

**Note** – With heavy activity, the LED on hard disk units can be off for up to ten seconds.

---

### *SCSI Termination*

The enclosure is self-terminating. Termination is indicated by two LEDs located on the back of the unit in the lower right-hand corner:

- Hi LED: Indicates that the high order SCSI bits are terminated
- Lo LED: Indicates that the low order SCSI bits are terminated

The Hi LED will be lit if the enclosure is followed by a narrow SCSI device or if the enclosure is the last device in a SCSI chain.

The Lo LED will be lit only if the enclosure is the last device in a SCSI chain.

These LEDs are for set-up and troubleshooting only and should be ignored during normal operation.

### *Patches*

Most of the SPARCstorage UniPack drives do not require operating system patches. If you have any problems using your drive, refer to the *Product Notes* that may accompany this documentation.



---

## Ordering Sun Documents

SunDocs<sup>SM</sup> is a distribution program for Sun Microsystems<sup>TM</sup> technical documentation. Easy, convenient ordering and quick delivery is available from SunExpress<sup>TM</sup>. You can find a full listing of available documentation on the World Wide Web: <http://www.sun.com/sunexpress/>

---

Country	Telephone	Fax
United States	1-800-873-7869	1-800-944-0661
United Kingdom	0-800-89-88-88	0-800-89-88-87
France	05-90-61-57	05-90-61-58
Belgium	02-720-09-09	02-725-88-50
Luxembourg	32-2-720-09-09	32-2-725-88-50
Germany	01-30-81-61-91	01-30-81-61-92
The Netherlands	06-022-34-45	06-022-34-46
Sweden	020-79-57-26	020-79-57-27
Switzerland	155-19-26	155-19-27
Japan	0120-33-9096	0120-33-9097

---

## Sun Welcomes Your Comments

Please use the *Reader Comment Card* that accompanies this document. We are interested in improving our documentation and welcome your comments and suggestions.

If a card is not available, you can email or fax your comments to us. Please include the part number of your document in the subject line of your email or fax message.

- Email: [smcc-docs@sun.com](mailto:smcc-docs@sun.com)
- Fax: SMCC Document Feedback  
1-415-786-6443



# Drive Information



---

This guide contains general information about SPARCstorage UniPack CD-ROM, hard disk, and tape drives. See the specification sheet that was sent along with this documentation for drive-specific information.

---

**Note** – Read the Safety Agency Compliance statements in Appendix B before operating this device.

---

## CD-ROM Drive

### Software Commands

This table contains brief descriptions of some software commands that are commonly used with CD-ROM drives. Refer to the *Solaris Handbook for SMCC Peripherals*, man pages, or AnswerBook on-line documentation for more information.

*Table 1-1* Software Commands for CD-ROM Drives

---

<b>Command</b>	<b>Description</b>
mount	Attaches a file system to the file system hierarchy at the mount point, which is the path name of a directory
eject	Ejects media such as a CD-ROM or diskette from the drive

---

## *Cleaning a CD*

If your drive cannot read a compact disc (CD), the CD could be dusty or dirty. Clean the CD with a soft, clean, lint-free, *dry* cloth and:

- Clean only the *non-labeled* side of the CD.
- Wipe the CD *radially* from the center to the outside of the CD.



---

**Caution** – Do not use solvents (like benzene, paint thinner, phonograph record cleaner, or antistatic aerosol spray) or abrasive cleaners to clean CDs.

---

## *Handling and Storing CDs*

- Handle CDs only by their edges; avoid touching CD surfaces.
- Do not write on CDs with permanent marking pens.
- Do not use CDs in high-dust environments.
- Keep CDs out of direct sunlight, extreme sources of heat or cold, and away from dust and moisture.
- Make sure CDs are at room temperature before using them.
- Store CDs in storage boxes so that they remain clean and free of dust.

## *Inserting a CD*

### **1. Push the eject button to open the drive tray.**

You may need to unmount the CD before manually ejecting it.

You can also eject the CD by issuing a software command such as `eject`. See the *Solaris Handbook for SMCC Peripherals* for more information.

If your CD does not eject, see “Emergency Ejection,” which follows.

### **2. Place the CD, label side up, into the tray (Figure 1-1).**

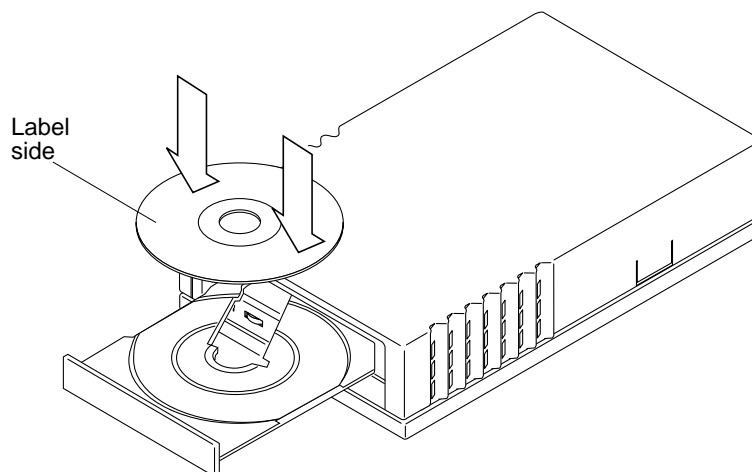


Figure 1-1 Inserting a CD into the CD-ROM Drive

**3. Push the eject button to close the tray.**

You can also close the tray by lightly pressing on the front of the tray.

## *Emergency Ejection*



---

**Caution** – Use this procedure only if you have tried to unmount the CD and the eject button does not function. Data may be corrupted if this procedure is performed while the LED indicator is lit.

---

**1. Turn off power to the CD-ROM drive.**

**2. Use a large straightened wire paper clip (or similar object) and insert it into the emergency eject hole until the tray opens.**

The emergency eject hole is about the size of a paper clip and is located on the front of the drive near the eject button.

## Hard Disk Drive

### Software Commands

This table contains brief descriptions of some software commands that are commonly used with hard disk drives. Refer to the *Solaris Handbook for SMCC Peripherals*, man pages, or AnswerBook on-line documentation for more information.

*Table 1-2* Software Commands Used with Hard Disks

<b>Command</b>	<b>Description</b>
mount	Attaches a file system to the file system hierarchy at the mount point, which is the path name of a directory
newfs	Makes Ufs file systems on disk partitions
format	Formats, labels, repairs, and analyzes disks on your system

Refer to the AnswerBook on-line documentation that came with your operating system for more information.

## Tape Drive

### Software Commands

This table contains brief descriptions of some software commands that are commonly used with tape drives. Refer to the *Solaris Handbook for SMCC Peripherals*, man pages or AnswerBook on-line documentation for more information.

Table 1-3 Software Commands for Tape Drives

Command	Description
cpio	Copies file archives in and out
mt	Sends commands to a magnetic tape drive
tapetool	Reads files from tape or archives files to tape
st	Acts as a device driver and interface to SCSI tape devices
tar	Creates tape archives and adds or extracts files
ufsdump	Backs up partitions and/or the entire disk
ufsrestore	Moves data from tape back to the disk

### Cleaning

You must clean the tape drive regularly to maintain reliable operation. The frequency of cleaning depends on which tape drive you have. Refer to the cleaning information in your tape drive specifications sheet.

Use only cleaning cartridges that are approved for your tape drive. Approved cleaning cartridges are listed in your tape drive specifications sheet.

Follow the cleaning instructions included with the cleaning cartridge. These cartridges are available from many computer supply companies.



---

**Caution** – Do not use cleaning cartridges or fluids designed for use in video or audio devices. These cartridges or fluids can damage the tape drive.

---

## *Tape Cartridge*

Use only tape cartridges that are approved for your tape drive. Approved tape cartridges are listed in your tape drive specifications sheet.

These tape cartridges require no pre-formatting and are available from many computer supply companies.

---

**Note** – Do not use video or audio tapes; use only data-grade tape cartridges.

---

### *Thermal Conditioning*

To ensure proper thermal conditioning, keep the cartridge at the same temperature as the drive for 24 hours.

### *Write-Protection*

When the tape is write-protected (read-only mode), data on the tape cannot be overwritten. When the tape is write-enabled, you can write and store new data on the tape.

For information on how to write protect a tape cartridge, refer to your tape drive specifications sheet or documentation that is contained with the tape cartridge.

### *Tensioning Pass*

When you insert a *blank* 1/4-inch tape cartridge or one that has been stored for a long time, run it from one end to the other. This tensioning pass ensures an even distribution of tension throughout the tape. See the *Solaris Handbook for SMCC Peripherals* for specific instructions about tensioning a tape cartridge.

### *Handling and Storage*

- Avoid touching the surface of the tape.
- Make sure the cartridge is at room temperature before using it.
- Keep cartridges away from anything magnetic.
- Keep cartridges out of direct sunlight and sources of heat, cold, or humidity.
- Rewind a cartridge before storing.
- Store cartridges in a dust-free environment, upright on edge rather than flat.
- Maintain stable temperature for long term cartridge storage.
- Maintain stable humidity (near 50%) for long term cartridge storage.



## Service Labels

---



This section contains copies of the service labels that are located inside the SPARCstorage UniPack enclosure.

The first illustration, Figure A-1, is the service label for enclosures equipped with tape and CD-ROM drives. The second illustration, Figure A-2, is the service label for enclosures equipped with hard disk drives.

These warnings apply to both service labels:



---

**Warning** - Only parts marked with a \* are replaceable by end users.

---



---

**Danger** - Seules les pièces marquées par un (\*) sont remplaçables par les utilisateurs finals.

---



---

**Achtung** - Nur mit Sternchen versehende Teile sind von Endverbrauchern ersetzbar!

---

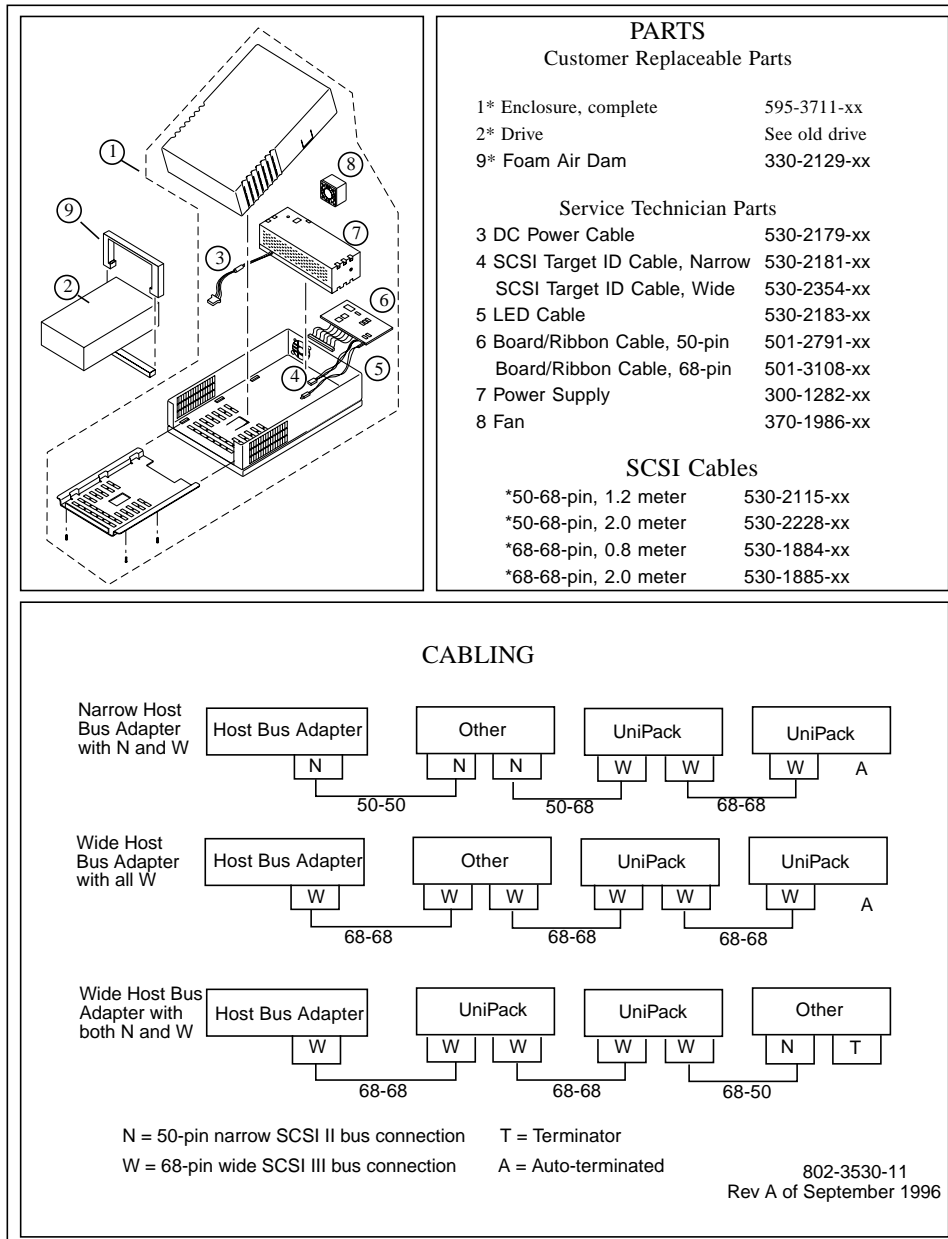


Figure A-1 Service Label for Tape and Compact Disc Enclosures

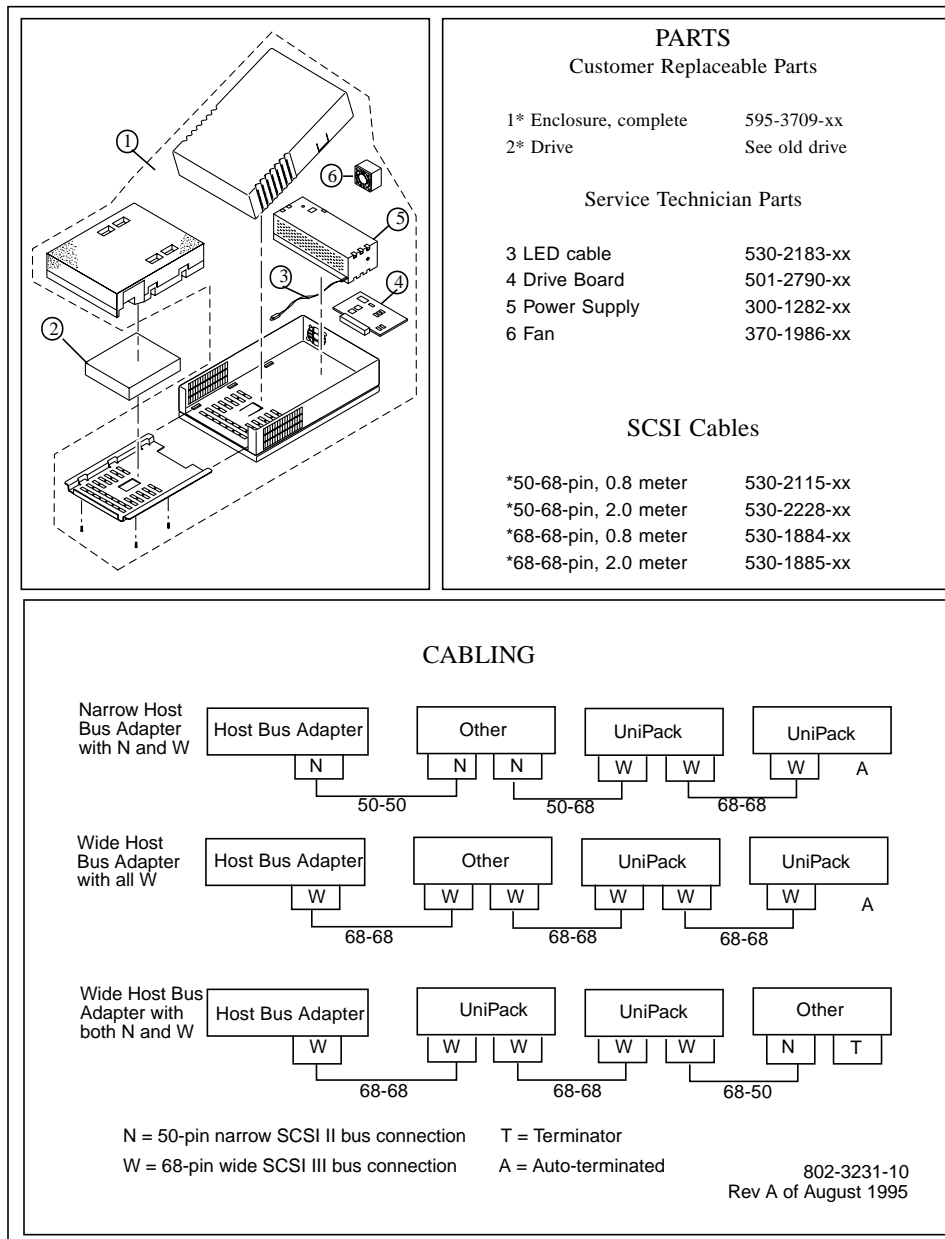


Figure A-2 Service Label for Hard Disk Enclosures



# *Safety Agency Compliance*

---



This appendix contains the safety compliance statements in English, French, German, and Spanish.

## *Safety Agency Compliance*

Read this section before beginning any procedure. This section explains how to work safely when installing a Sun product.

### *Safety Precautions*

For your protection, observe these safety precautions when setting up your equipment:

- Follow all warnings and instructions marked on the equipment.
- Ensure that the voltage and frequency of your power source matches the voltage and frequency on the equipment's electrical rating label.
- Never push objects of any kind through openings in the equipment. Dangerous voltages may be present. Conductive foreign objects could produce a short circuit that could cause fire, electric shock, or damage to your equipment.

## *Symbols*

These symbols appear in this manual:



---

**Caution** – Risk of personal injury and equipment damage. Follow the instructions.

---



---

**Warning** – Hazardous voltages are present. To reduce the risk of electric shock and danger to personal health, follow the instructions.

---



---

**On** – Applies AC power to the system.

---



---

**Off** – Removes AC power from the system.

---

## *Modification to Equipment*

Do not make mechanical or electrical modifications to the equipment. Sun Microsystems is not responsible for regulatory compliance of a modified Sun™ product.

## *Placement of a Sun Product*



---

**Caution** – To ensure reliable operation of your Sun product and to protect it from overheating, openings in the equipment must not be blocked or covered. A Sun product should never be placed near a radiator or heat register.

---

## *Power Cord Connection*



---

**Warning** – Sun products are designed to work with single-phase power systems having a grounded neutral conductor. To reduce the risk of electrical shock, do not plug Sun products into any other type of power system. Contact your facilities manager or a qualified electrician if you are not sure what type of power is supplied to your building.

---



---

**Warning** – Not all power cords have the same current ratings. Household extension cords do not have overload protection and are not meant for use with computer systems. Do not use household extension cords.

---



---

**Warning** – Your Sun product is shipped with a grounding type (3-wire) power cord. To reduce the risk of electric shock, always plug the cord into a grounded power outlet.

---

## *Cover*

You must remove the cover of your Sun SPARCstorage UniPack drive in order to remove or replace storage devices. Be sure to replace the top cover before powering up your enclosure.



---

**Warning** – It is not safe to operate Sun products without the top cover in place. Failure to take this precaution may result in personal injury and system damage.

---

## *Conformité aux Normes de Sécurité*

Cette préface traite des mesures de sécurité qu'il convient de suivre pour l'installation d'un produit Sun Microsystems, Inc.

### *Mesures de Sécurité*

Pour votre protection, veuillez prendre les précautions suivantes pendant l'installation du matériel:

- Suivre tous les avertissements et toutes les instructions inscrites sur le matériel.
- Vérifier que la tension et la fréquence de la source d'alimentation électrique correspondent à la tension et à la fréquence indiquées sur l'étiquette de classification de l'appareil.

- Ne jamais introduire d'objet quel qu'il soit dans une des ouvertures de l'appareil. Vous pourriez vous trouver en présence d'éléments haute tension. Tout objet conducteur introduit de la sorte pourrait produire un court-circuit qui entraînerait des flammes, des risques d'électrocution ou des dégâts matériels.

## Symboles

Vous trouverez ci-dessous la signification des différents symboles utilisés:



---

**Avertissement** – Présence de tensions dangereuses. Pour éviter les risques d'électrocution et de danger pour la santé physique, veuillez suivre les instructions.

---



---

**Attention** – Risques de blessures corporelles et de dégâts matériels. Veuillez suivre les instructions.

---



---

**Marche** – Le commutateur marche/arrêt principal est en position de *marche*.

---



---

**Arrêt** – Le commutateur marche/arrêt principal est en position *d'arrêt*.

---

## Modification du Matériel

Ne pas apporter de modification mécanique ou électrique au matériel. Sun Microsystems, Inc., n'est pas responsable de la conformité réglementaire d'un produit Sun qui a été modifié.

## Positionnement d'un Produit Sun



---

**Attention** – Pour assurer le bon fonctionnement de votre produit Sun et pour l'empêcher de surchauffer, il convient de ne pas obstruer ni recouvrir les ouvertures prévues dans l'appareil. Un produit Sun ne doit jamais être placé à proximité d'un radiateur ou d'une source de chaleur.

---



## Connexion du Cordon d’Alimentation



**Avertissement** – Les produits Sun sont conçus pour fonctionner avec des alimentations monophasées munies d’un conducteur neutre mis à la terre. Pour écarter les risques d’électrocution, ne pas brancher de produit Sun dans un autre type d’alimentation secteur. En cas de doute quant au type d’alimentation électrique du local, veuillez vous adresser au directeur de l’exploitation ou à un électricien qualifié.



**Avertissement** – Tous les cordons d’alimentation n’ont pas forcément la même puissance nominale en matière de courant. Les rallonges d’usage domestique n’offrent pas de protection contre les surcharges et ne sont pas prévues pour les systèmes d’ordinateurs. Ne pas utiliser de rallonge d’usage domestique avec votre produit Sun.



**Avertissement** – Votre produit Sun a été livré équipé d’un cordon d’alimentation à trois fils du type avec prise de terre. Pour écarter les risques d’électrocution, toujours brancher ce cordon dans une prise mise à la terre.

## Couvercle



**Attention** – Il est dangereux de faire fonctionner un produit Sun sans le couvercle en place. Si l’on néglige cette précaution, on encourt des risques de blessures corporelles et de dégâts matériels.

## Sicherheitsbehördliche Vorschriften

In diesem Anhang werden die Sicherheitsmaßnahmen beschrieben, die bei der Installation eines Produkts von Sun Microsystems, Inc., zu befolgen sind.

## Sicherheitsmaßnahmen

Beachten Sie zu Ihrem eigenen Schutz die folgenden Sicherheitsmaßnahmen, wenn Sie Ihre Geräte aufbauen:

- Beachten Sie alle auf den Geräten angebrachten Warnungen und Anweisungen.
- Vergewissern Sie sich, daß Spannung und Frequenz Ihrer Stromquelle mit der Spannung und Frequenz übereinstimmen, die auf dem Etikett mit den elektrischen Nennwerten des Geräts angegeben sind.

Stecken Sie niemals irgendwelche Gegenstände in Öffnungen in den Geräten. Es können gefährliche Spannungen vorliegen. Leitfähige fremde Gegenstände könnten einen Kurzschluß verursachen, der zu Feuer, Elektroschock oder einer Beschädigung Ihrer Geräte führen könnte.

## *Symbole*

Die verwendeten Symbole haben die folgende Bedeutung:



---

**Warnung** – Gefährliche Spannungen. Zur Reduzierung des Elektroschockrisikos und der Gesundheitsgefährdung die Anweisungen befolgen.

---



---

**Vorsicht** – Gefahr von Personenverletzung und Geräteschaden. Anweisungen befolgen.

---



---

**Ein** – Der Hauptschalter steht auf *Ein*.

---



---

**Aus** – Der Hauptschalter steht auf *Aus*.

---

## *Änderung der Geräte*

Nehmen Sie keine mechanischen oder elektrischen Änderungen an den Geräten vor. Sun Microsystems, Inc., ist nicht verantwortlich für die Einhaltung behördlicher Vorschriften, wenn an einem Sun-Produkt Änderungen vorgenommen wurden.

## Aufstellungsort eines Sun-Produkts



**Vorsicht** – Um einen zuverlässigen Betrieb Ihres Sun-Produkts zu gewährleisten und es vor Überhitzung zu schützen, dürfen die Öffnungen im Gerät nicht blockiert oder bedeckt werden. Ein Sun-Produkt sollte niemals in der Nähe eines Heizkörpers oder einer Heizluftklappe aufgestellt werden.

## Anschluß des Stromkabels



**Warnung**– Sun-Produkte sind für den Betrieb mit Einphasen-Stromsystemen mit einem geerdeten Mittelleiter vorgesehen. Um die Elektroschockgefahr zu reduzieren, schließen Sie Sun-Produkte nicht an andere Arten von Stromsystemen an. Wenden Sie sich an Ihren Anlagenleiter oder einen qualifizierten Elektriker, wenn Sie sich nicht sicher sind, welche Art von Strom Ihr Gebäude erhält.



**Warnung**– Nicht alle Stromkabel besitzen die gleichen Stromnennwerte. Haushaltsverlängerungsschnuren haben keinen Überlastungsschutz und sind nicht zum Gebrauch mit Computersystemen bestimmt. Benutzen Sie keine Haushaltsverlängerungsschnuren für Ihr Sun-Produkt.



**Warnung** – Ihr Sun-Produkt wird mit einem Erdungs-Netzkabel (3-Leiter) geliefert. Um die Elektroschockgefahr zu reduzieren, schließen Sie das Kabel nur an eine geerdete Steckdose an.

## Obere Abdeckung



**Vorsicht** – Der Betrieb von Sun-Produkten ohne obere Abdeckung ist nicht sicher. Bei Nichteinhalten dieser Vorsichtsmaßregel kann es zu Personenverletzung und Systemschäden kommen.

## Conformidad Con La Agencia de Seguridad

Este prólogo presenta las precauciones de seguridad a seguir cuando se instala un producto de Sun Microsystems, Inc.

### Precauciones de Seguridad

Para su protección, observe las siguientes preocupaciones de seguridad al instalar su equipo:

- Siga todos los avisos e instrucciones marcados en el equipo.
- Asegúrese de que el voltaje y la frecuencia de su fuente de alimentación sean iguales al voltaje y frecuencia indicados en la etiqueta de la capacidad eléctrica nominal del equipo.

No introduzca jamás objetos de ninguna clase por las aberturas del equipo porque pueden estar presentes voltajes peligrosos. Cualquier objeto conductor extraño puede producir cortocircuito que podría causar incendio, electrochoque o daños a su equipo.

### Símbolos

Los siguientes símbolos significan:



---

**Aviso** – Hay presentes voltajes peligrosos. Siga las instrucciones para reducir el riesgo de electrochoque y los peligros contra la salud.

---



---

**Precaución**– Peligro de lesión personal y daño al equipo. Siga las instrucciones.

---



---

**Encendido** – El interruptor principal de encendido/apagado está en la posición de *encendido*.

---



---

**Apagado** – El interruptor principal de encendido/apagado está en la posición de *apagado*.

---

## *Modificaciones al Equipo*

No haga modificaciones mecánicas o eléctricas al equipo. Sun Microsystems, Inc., no se hace responsable del cumplimiento de las regulaciones de un producto Sun si ha sido modificado.

## *Colocación de un Producto Sun*



---

**Precaución** – Para lograr un funcionamiento seguro de su producto Sun y protegerlo contra el calentamiento excesivo, no se deben bloquear o cubrir las aberturas del aparato. Ningún producto Sun se debe colocar jamás cerca de un radiador o una fuente térmica.

---

## *Conexión del Cable de Alimentación*



---

**Aviso** – Los productos Sun han sido diseñados para funcionar con sistemas de alimentación monofásicos que tengan un conductor neutro a tierra. Para reducir el riesgo de electrochoque, no enchufe los productos Sun a ningún otro tipo de sistema de alimentación. Si no está seguro del tipo de alimentación eléctrica que se suministra a su edificio, consulte al administrador de la propiedad o a un electricista profesional.

---



---

**Aviso**– No todos los cables de alimentación tienen la misma capacidad nominal de corriente. Las extensiones tipo casero no tienen protección contra sobrecargas y no están destinadas a usarse con sistemas de computación. No use extensiones caseras con su producto Sun.

---



---

**Aviso** – Su producto Sun se le provee con un cable de alimentación con salida a tierra (trifilar). Para reducir el riesgo de electrochoque, enchufe siempre el cable a un tomacorriente con conexión a tierra.

---

## *Cubierta Superior*



---

**Precaución**– Los productos Sun no pueden funcionar sin riesgo si la cubierta superior no está colocada en su sitio. Si no toma esta precaución, correrá el riesgo de lesionarse personalmente y dañar el equipo.

---

# *Index*

---

## **C**

### CD

- cleaning, 2
- handling and storage, 2
- inserting, 2
- removing, 2

### CD-ROM drive

- emergency ejection, 3
- inserting a CD, 2
- removing a CD, 2
- service label, 7
- software sommands, 1

### cleaning

- CD, 2
- tape drive, 5

## **D**

### drive

- CD-ROM, 1
- hard disk, 4
- tape, 5

## **E**

### emergency ejection

- CD-ROM drive, 3

## **H**

### handling and storage

- CD, 2
- tape cartridge, 6

### hard disk

- service label, 7
- software commands, 4

## **L**

### LEDs

- enclosure status LED, viii
- SCSI termination, viii

## **P**

### patches, viii

## **S**

### safety precautions, 11

### SCSI termination, viii

### service label

- CD-ROM drive, 7
- hard disk, 7
- tape drive, 7

### software commands

- CD-ROM drive, 1
- hard disk, 4

---

tape drive, 5  
symbols, 12

## T

tape cartridge  
  handling and storage, 6  
  tensioning pass, 6  
  thermal conditioning, 6  
  write-protecting, 6  
tape drive  
  cleaning, 5  
  service label, 7  
  software commands, 5

## U

UNIX commands, vii



### Reader Comment Card

Your comments and suggestions are important to us. Please let us know what you think about the *SPARCstorage UniPack User's Guide*, part number 802-3228-11.

1. Were the procedures well documented? Yes  No

Please explain: \_\_\_\_\_

\_\_\_\_\_

2. Were the tasks easy to follow? Yes  No

Please explain: \_\_\_\_\_

\_\_\_\_\_

3. Were the illustrations clear? Yes  No

Please explain: \_\_\_\_\_

\_\_\_\_\_

4. Was the information complete and easy to find? Yes  No

Please explain: \_\_\_\_\_

\_\_\_\_\_

5. Do you have additional comments about the *SPARCstorage UniPack User's Guide*?

You can send detailed comments via email to [smcc-docs@sun.com](mailto:smcc-docs@sun.com), or send a fax to *SMCC Doc Feedback* at (415) 786-6443.

\_\_\_\_\_

\_\_\_\_\_

\_\_\_\_\_

\_\_\_\_\_

\_\_\_\_\_

\_\_\_\_\_

\_\_\_\_\_

Your Name: \_\_\_\_\_

Title: \_\_\_\_\_

Company Name: \_\_\_\_\_

Address: \_\_\_\_\_

City: \_\_\_\_\_ State/Province: \_\_\_\_\_

Country: \_\_\_\_\_ Zip/Postal Code: \_\_\_\_\_

Email Address: \_\_\_\_\_

Telephone: \_\_\_\_\_

Thank you.

**AIR MAIL  
PAR AVION**

IBRS/CCRI No. 808



**INTERNATIONAL BUSINESS REPLY MAIL/REPOSE PAYEE**

PERMIT NO. 808 MOUNTAIN VIEW CA

POSTAGE WILL BE PAID BY ADDRESSEE

INFORMATION PRODUCTS  
M/S MPK14-108  
SUN MICROSYSTEMS INC  
2550 GARCIA AVE  
MOUNTAIN VIEW CA 94043-9551  
UNITED STATES OF AMERICA

NE PAS AFFRANCHIR

NO POSTAGE  
NECESSARY  
IF MAILED  
TO THE  
UNITED STATES

