

Sun™ Ultra™ 1 Creator Series Installation Guide

*English
French
Spanish
Italian*



The Network Is the Computer™

Sun Microsystems Computer Company

2550 Garcia Avenue
Mountain View, CA 94043 USA
415 960-1300 fax 415 969-9131

Part No.: 802-4145-10
Revision A, January 1996

© 1996 Sun Microsystems, Inc.
2550 Garcia Avenue, Mountain View, California 94043-1100 U.S.A.

All rights reserved. This product and related documentation are protected by copyright and are distributed under licenses restricting their use, copying, distribution, and decompilation. No part of this product or related documentation may be reproduced in any form by any means without prior written authorization of Sun and its licensors, if any.

Portions of this product may be derived from the UNIX[®] and Berkeley 4.3 BSD systems, licensed from UNIX System Laboratories, Inc., a wholly owned subsidiary of Novell, Inc., and the University of California, respectively. Third-party font software in this product is protected by copyright and licensed from Sun's font suppliers.

RESTRICTED RIGHTS LEGEND: Use, duplication, or disclosure by the United States Government is subject to the restrictions set forth in DFARS 252.227-7013 (c)(1)(ii) and FAR 52.227-19.

The product described in this manual may be protected by one or more U.S. patents, foreign patents, or pending applications.

TRADEMARKS















Sun, the Sun logo, Sun Microsystems, Solaris, and SunOS are trademarks or registered trademarks of Sun Microsystems, Inc. in the U.S. and certain other countries. UNIX is a registered trademark in the United States and other countries, exclusively licensed through X/Open Company, Ltd. OPEN LOOK is a registered trademark of Novell, Inc. PostScript and Display PostScript are trademarks of Adobe Systems, Inc. All other product names mentioned herein are the trademarks of their respective owners.

All SPARC trademarks, including the SCD Compliant Logo, are trademarks or registered trademarks of SPARC International, Inc. SPARCstation, SPARCserver, SPARCprinter, SPARCengine, SPARCworks, SPARCcompiler, and microSPARC are licensed exclusively to Sun Microsystems, Inc. Products bearing SPARC trademarks are based upon an architecture developed by Sun Microsystems, Inc.

THIS PUBLICATION IS PROVIDED "AS IS" WITHOUT WARRANTY OF ANY KIND, EITHER EXPRESS OR IMPLIED, INCLUDING, BUT NOT LIMITED TO, THE IMPLIED WARRANTIES OF MERCHANTABILITY, FITNESS FOR A PARTICULAR PURPOSE, OR NON-INFRINGEMENT.

THIS PUBLICATION COULD INCLUDE TECHNICAL INACCURACIES OR TYPOGRAPHICAL ERRORS. CHANGES ARE PERIODICALLY ADDED TO THE INFORMATION HEREIN; THESE CHANGES WILL BE INCORPORATED IN NEW EDITIONS OF THE PUBLICATION. SUN MICROSYSTEMS, INC. MAY MAKE IMPROVEMENTS AND/OR CHANGES IN THE PRODUCT(S) AND/OR THE PROGRAM(S) DESCRIBED IN THIS PUBLICATION AT ANY TIME.



	1 Opening the System Unit	8
	2 Installing DSIMMs.....	10
	3 Changing the RS-423/232 Jumpers	14
	4 Installing Hard Disk Drives	18
	5 Installing the Diskette Drive.....	22
	6 Installing the CD-ROM Drive.....	26
	7 Installing SBus Cards	30
	8 Closing the System Unit.....	40
	9 Connecting a Twisted-Pair Ethernet Cable	42
	10 Connecting a Thick Ethernet (AUI) Cable	44
	11 Installing the Lock Block.....	46
	12 Using the CD-ROM Drive.....	48
	13 What's Next.....	50
	Safety Agency Compliance	52

Getting Started















Use this book to install your Sun™ Ultra™ 1 hardware. If you have received any internal options, install them first, and make any modifications to the system in the following order: DSIMMs, RS-423/232 jumpers, hard disk drive, diskette drive, CD-ROM drive, and SBus cards. Use this booklet and the documentation accompanying each option. To make external system connections, see the *Sun Ultra 1 Hardware Setup Instructions*. When you're ready to install Solaris™ software, see the *SMCC SPARC Hardware Platform Guide*.

☰ Table des matières

☰ 1 Ouverture de l'unité système	8
☰ 2 Installation des modules DSIMM	10
☰ 3 Changement des cavaliers RS-423/232	14
☰ 4 Installation des unités de disque dur	18
☰ 5 Installation du lecteur de disquette	22
☰ 6 Installation du lecteur de CD-ROM	26
☰ 7 Installation de cartes SBus	30
☰ 8 Fermeture de l'unité système.....	40
☰ 9 Connexion d'un câble Ethernet à paire torsadée.....	42
☰ 10 Connexion d'un câble Ethernet épais (AUI)	44
☰ 11 Installation du système de verrouillage.....	46
☰ 12 Utilisation du lecteur de CD-ROM.....	48
☰ 13 Informations supplémentaires	50
⚠ Conformité aux normes de sécurité.....	53

● Démarrage

Utilisez ce manuel pour installer votre matériel Sun™ Ultra™ 1. Si vous disposez d'options internes, installez-les en premier et apportez au système les modifications nécessaires dans l'ordre suivant : modules DSIMM, cavaliers RS-423/232, unité de disque dur, lecteur de disquette, lecteur de CD-ROM et cartes SBus. Utilisez cette brochure et la documentation associée à chaque option. Pour effectuer des connexions système externes, reportez-vous au manuel *Sun Ultra 1 Hardware Setup Instructions*. Lorsque vous êtes prêt à installer le logiciel Solaris™, consultez le *Guide de la plateforme matérielle SPARC SMCC*.

	1 Apertura de la unidad del sistema.....	8
	2 Instalación de DSIMMs	10
	3 Cambio de los puentes RS-423/232.....	14
	4 Instalación de unidades de disco duro	18
	5 Instalación de la unidad de disquetes	22
	6 Instalación de la unidad de CD-ROM.....	26
	7 Instalación de tarjetas SBus.....	30
	8 Cierre de la unidad del sistema	40
	9 Conexión de un cable Ethernet de par trenzado	42
	10 Conexión de un cable Ethernet de tipo grueso (AUI)	44
	11 Instalación del elemento de bloqueo	46
	12 Utilización de la unidad de CD-ROM.....	48
	13 Qué hacer a continuación	50
	Normativas de seguridad.....	54

Primeros pasos

Use este libro para instalar el hardware de la Sun™ Ultra™ 1. Si ha recibido alguna opción interna, instálela antes y luego realice las modificaciones del sistema necesarias en este orden: DSIMMs, puentes RS-423/232, unidad de disco duro, unidad de disquete, unidad de CD-ROM y tarjetas SBus. Use este folleto y la documentación que acompaña a cada opción. Para realizar las conexiones externas del sistema, consulte el manual *Sun Ultra 1 Hardware Setup Instructions*. Cuando esté listo para instalar el software de Solaris™, consulte el manual *Guía para plataformas de hardware SPARC de SMCC*.

☰ Sommario

☰ 1 Apertura dell'unità centrale.....	8
☰ 2 Installazione dei DSIMM.....	10
☰ 3 Modifica dei ponticelli RS-423/232.....	14
☰ 4 Installazione delle unità a disco fisso	18
☰ 5 Installazione dell'unità a dischetti.....	22
☰ 6 Installazione dell'unità CD-ROM	26
☰ 7 Installazione delle schede SBus	30
☰ 8 Chiusura dell'unità centrale	40
☰ 9 Collegamento di un cavo Ethernet twisted-pair.....	42
☰ 10 Collegamento di un cavo Thick Ethernet (AUI)	44
☰ 11 Accesso protetto.....	46
☰ 12 Uso dell'unità CD-ROM	48
☰ 13 Operazioni successive.....	50
⚠ Conformità alle norme di sicurezza.....	55

● Introduzione

Usare questo libro per l'installazione dell'hardware della Sun™ Ultra™ 1. Installare prima ogni eventuale opzione interna e effettuare tutte le modifiche sul sistema nel seguente ordine: DSIMM, ponticelli RS-423/232, unità a disco fisso, unità a dischetti, unità CD-ROM e schede SBus. Usare il presente manuale e la documentazione in dotazione con ognuna delle opzioni. Per eseguire il collegamenti esterni, consultare *Sun Ultra 1 Hardware Setup Instructions*. Quando si è pronti per procedere all'installazione del software Solaris™, consultare la *Guida alle piattaforme hardware SPARC SMCC*.



Electromagnetic Compatibility Information – U.S.A.

System Classes

Please read all of the following information to determine the class of system you have and the environment in which it should be installed and operated.

In the United States, the Federal Communications Commission (FCC) governs the levels of electromagnetic emissions from a digital device. Electromagnetic emissions can interfere with radio and television transmission. To reduce the risk of harmful interference, the FCC has established requirements for manufacturers of digital devices.

A manufacturer of a digital device must test and label the product to inform an end-user of the maximum emission level from the product when used in accordance with its instructions. The FCC has established two classes of levels, Class A and Class B. A system that meets the FCC Class A requirements may be marketed for use in an industrial or a commercial area. A system that meets the more stringent FCC Class B requirements may be marketed for use in a residential area in addition to use in an industrial or a commercial area.

An end-user in the United States is responsible for ensuring that his system is suitable for its environment as stated in the above paragraph and bears the financial responsibility for correcting harmful interference.

For a system to be considered an FCC Class B system, all peripherals of the system (workstation, monitor, keyboard, mouse, external disk and tape drives, modem, printer, etc.) must be labeled as such. If any peripheral or the workstation itself is labeled as FCC Class A, the entire system becomes FCC Class A and should not be used in a residential area.

To determine if your system is FCC Class A or FCC Class B, you must check the marking on each peripheral and on your workstation. Each piece of equipment should have an FCC statement marked on the unit. The FCC statement should identify the equipment as Class A or Class B. If there is no indication of the Class in the FCC statement, consider it to be Class A unless there is a mark which states "FCC ID:" followed by alphanumeric characters. If it has this FCC ID mark, it is Class B. If any of the peripherals in your system is not marked with an FCC statement, the equipment should not be used in a home because of the greater likelihood of interference to radio and television reception. Contact the manufacturer of the peripheral if you have any questions.

If an SBus board is added to the workstation by the end-user, the FCC Class of the machine could be affected. An SBus board should be marked to indicate the FCC Class of the board. If an FCC Class A SBus board is added to an FCC Class B workstation, the system becomes FCC Class A.

Modifications

If the end-user adds single in-line memory modules (SIMMs) or internal drives to the workstation, the FCC Class of the machine

could be affected. All SIMMs and internal drives offered by Sun for use in a Sun™ workstation have been tested and will not change the FCC Class labeled on the workstation if it is installed per the instructions in the Sun Installation Guide.

If memory or drives are purchased from sources other than Sun, the FCC Class of the workstation may be adversely affected. Modifications not approved by Sun may void the authority granted by the FCC to operate the equipment.

Shielded Cables

Connections between the workstation and peripherals must be made using shielded cables in order to maintain compliance with FCC radio frequency emission limits.

One of the following notices applies to your system. Please refer to the appropriate statement.

FCC Class A Notice

If your system is FCC Class A, the following applies:

Note – This equipment has been tested and found to comply with the limits for a Class A digital device, pursuant to Part 15 of the FCC Rules. These limits are designed to provide reasonable protection against harmful interference when the equipment is operated in a commercial environment. This equipment generates, uses, and can radiate radio frequency energy and, if not installed and used in accordance with the installation manual, may cause harmful interference to radio communications. Operation of this equipment in a residential area is likely to cause harmful interference, in which case the user will be required to correct the interference at his own expense.

FCC Class B Notice

If your system is FCC Class B, the following applies:

Note – This equipment has been tested and found to comply with the limits for a Class B digital device, pursuant to Part 15 of the FCC Rules. These limits are designed to provide reasonable protection against harmful interference in a residential installation. This equipment generates, uses, and can radiate radio frequency energy and, if not installed and used in accordance with the instructions, may cause harmful interference to radio communications. However, there is no guarantee that interference will not occur in a particular installation. If this equipment does cause harmful interference to radio or television reception, which can be determined by turning the equipment off and on, the user is encouraged to try to correct the interference by one or more of the following measures:

- Reorient or relocate the receiving antenna.
- Increase the separation between the equipment and receiver.
- Connect the equipment into an outlet on a circuit different from the circuit to which the receiver is connected.
- Consult the dealer or an experienced radio/TV technician for help.



Electromagnetic Compatibility Information – Canada

Communications Canada (i.e., the Department of Communications) regulates digital devices similar to the FCC in the United States. Every product should be labeled or provided with documentation that states the class of the product. The DOC defines the environment in which a digital device should be used as the FCC does, DOC Class A is for an industrial or a commercial area and DOC Class B is for a residential, an industrial, or a commercial area.

As it is with the FCC, every peripheral of a system must meet DOC Class B levels in order for a system to be considered DOC Class B. If any peripheral or the workstation is DOC Class A, the system is DOC Class A and should not be used in a residential area.

An end-user in Canada is responsible for ensuring that his system is suitable for its environment as stated in the above paragraph.

To determine if your system is DOC Class A or DOC Class B, you must check the marking on each peripheral and on your workstation. Each piece of equipment should have a DOC marking on the unit or a notice included with the equipment stating the DOC Class. If any peripheral or workstation does not have any indication of the DOC Class, consult the manufacturer of the product.

If an SBus board is added to the workstation by the end-user, the DOC Class of the machine could be affected. An SBus board should be marked to indicate the DOC Class of the board or a notice stating the DOC Class should be included. If a DOC Class A SBus board is added to a DOC Class B workstation, the system becomes DOC Class A.

If single in-line memory modules (SIMMs) or internal drives are added to the workstation, the DOC Class of the machine could be affected. All SIMMs and internal drives offered by Sun for use in a Sun workstation have been tested and will not change the DOC Class labeled on the workstation if installed per the instructions in the Sun Installation Guide. If memory or drives are purchased from sources other than Sun, the DOC Class of the workstation may be adversely affected.

One of the following notices applies to your system. Please refer to the appropriate statement.

DOC Class A Notice

If your system is DOC Class A, the following applies:

This Class A digital apparatus meets all requirements of the Canadian Interference-Causing Equipment Regulations.

DOC Class B Notice

If your system is DOC Class B, the following applies:

This Class B digital apparatus meets all requirements of the Canadian Interference-Causing Equipment Regulations.

Renseignements de compatibilité électromagnétique – Canada

Communications Canada (c'est-à-dire le DOC, Ministère des Communications) réglemente les dispositifs numériques de façon analogue aux prescriptions de la FCC (Commission fédérale des communications) aux États-Unis. Chaque produit doit être étiqueté ou livré avec une documentation spécifiant sa classe. Le DOC définit, comme le fait la FCC, l'environnement dans lequel un dispositif numérique doit être utilisé. La classe A, spécifiée par le DOC, s'applique aux zones industrielles ou commerciales, alors que la classe B s'applique aux zones résidentielles, industrielles ou commerciales.

Comme il en est le cas avec la FCC, chaque périphérique d'un système doit répondre aux spécifications de la classe B définie par le DOC afin qu'un système puisse être considéré comme faisant partie de cette classe. Si un périphérique ou un poste de travail quelconque appartient à la classe A, le système appartient alors à la classe A définie par le DOC et par conséquent ne doit pas être mis en service dans une zone résidentielle.

Au Canada il revient à l'utilisateur de s'assurer que son système est approprié pour l'environnement auquel il appartient, tel que spécifié dans le paragraphe ci-dessus.

Pour déterminer si votre système appartient à la classe A ou B définie par le DOC, vous devez vérifier le marquage figurant sur chaque périphérique ainsi que sur votre poste de travail. Toute pièce de matériel doit porter un marquage du DOC ou être accompagnée d'un document spécifiant la classe DOC à laquelle elle appartient. Si aucune référence à la classe définie par le DOC n'est présente sur un périphérique ou un poste de travail, contactez le fabricant du produit.

Si l'utilisateur ajoute une carte de type SBus au poste de travail, cela risque d'affecter la classe définie par le DOC. Une carte de type SBus doit être marquée pour indiquer à quelle classe elle appartient, ou un document spécifiant sa classe doit l'accompagner. Si une carte de type SBus de la classe A du DOC est ajoutée à un poste de travail de la classe B, le système appartiendra alors à la classe A, telle qu'elle est définie par le DOC.

Si des unités internes ou des barrettes de mémoire SIMM sont ajoutées à un poste de travail, la classe du DOC de la machine risque d'être affectée. Toutes les unités internes et barrettes de mémoire SIMM offertes par Sun et destinées à être utilisées sur un poste de travail Sun ont été soumises à des essais. Elles ne changeront pas la classe du DOC figurant sur le poste de travail si l'installation est conformée aux instructions spécifiées dans le Guide d'installation Sun. Si l'utilisateur se procure des unités et des barrettes de mémoire ailleurs que chez Sun, la classe du poste de travail définie par le DOC risque d'être défavorablement affectée.

Veillez consulter celui des avis suivants qui s'applique à votre système:

Avis concernant les systèmes appartenant à la classe A du DOC:

Si votre système appartient à la classe A du DOC, ce qui suit s'y applique:

Cet appareil numérique de la classe A respecte toutes les exigences du Règlement sur le matériel brouilleur du Canada.

Avis concernant les systèmes appartenant à la classe B du DOC:

Si votre système appartient à la classe B du DOC, ce qui suit s'y applique:

Cet appareil numérique de la classe B respecte toutes les exigences du Règlement sur le matériel brouilleur du Canada.

Opening the System Unit

Note — If the lock block (≡ 11) is installed, you must remove it before opening the system unit.

1. Press the Standby (⏻) side of the power switch.
2. Use a Phillips screwdriver to loosen the screws in the upper-right and upper-left corners of the back panel.

3. Grasp the sides of the cover and lift it up from the back panel. When the cover clears the back panel, move the cover away from the front panel to free it from the chassis.

Ouverture de l'unité système

Remarque : si le système de verrouillage (≡ 11) est mis, retirez-le avant d'ouvrir l'unité système.

1. Appuyez sur l'interrupteur de mise en veille (⏻).
2. A l'aide d'un tournevis cruciforme, libérez les vis se trouvant dans l'angle supérieur droit et l'angle supérieur gauche du panneau arrière.

3. Saisissez les côtés du couvercle et retirez-le du panneau arrière en le soulevant. Lorsque le panneau arrière est dégagé, poussez le couvercle dans le sens opposé au panneau avant afin de le libérer du châssis.

Apertura de la unidad del sistema

Nota — Si está instalado el elemento de bloqueo (≡ 11), debe quitarlo antes de abrir la unidad del sistema.

1. Pulse el interruptor (⏻) para apagar el equipo.
2. Utilice un destornillador de estrella para aflojar los tornillos situados en los extremos superiores derecho e izquierdo del panel trasero.

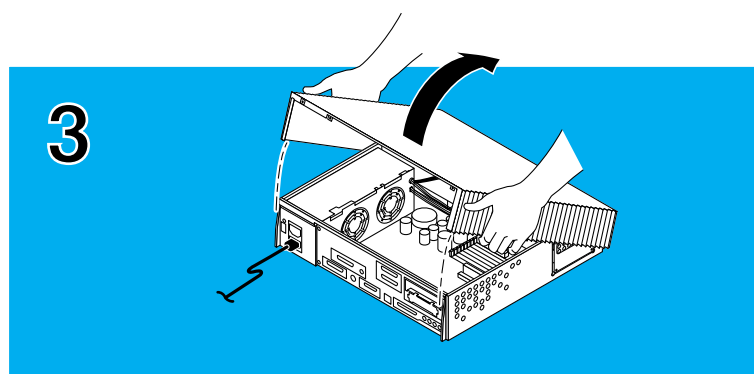
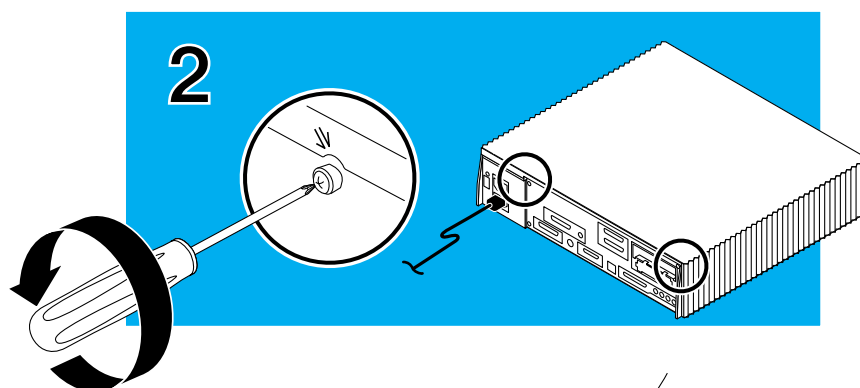
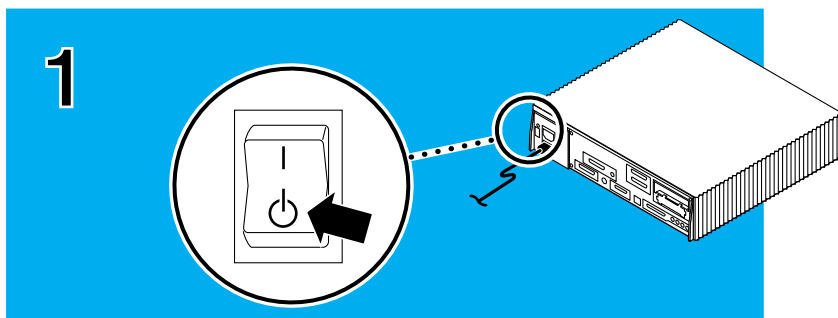
3. Sujete la tapa por los lados y levántela del panel trasero. Cuando la tapa se separe del panel trasero, tire de ésta hacia fuera para retirarla del chasis.

Apertura dell'unità centrale

Nota — Se è stato installato l'antifurto (≡ 11), rimuoverlo prima di aprire l'unità.

1. Premere il lato stand-by (⏻) dell'interruttore di alimentazione.
2. Usare un cacciavite a croce per allentare la vite che si trova nell'angolo superiore destro del pannello posteriore.

3. Afferrare il coperchio dai due lati e sollevarlo per estrarlo dal pannello posteriore. Quando il coperchio lascia libero il pannello posteriore, estrarlo liberandolo completamente dal telaio.



Installing DSIMMs

Note — Use only DSIMMs that are specifically designed for a Sun Ultra 1 system.

1. Power off your system and open the system unit (≡ 1).
2. Locate the wrist strap, and attach its adhesive copper strip to the metal casing of the power supply. Wrap the other end twice around your wrist, with the adhesive side against your skin.

3. Locate and select an available pair of DSIMM slots on the main logic board.
4. Unpack the DSIMM, holding it only by the edges.

Installation des modules DSIMM

Remarque : n'utilisez que les modules DSIMM qui sont spécialement conçus pour un système Sun Ultra 1.

1. Mettez votre système hors tension, puis ouvrez l'unité système (reportez-vous à la procédure ≡ 1).
2. Attachez le bracelet de mise à la terre à votre poignet et reliez l'extrémité adhésive en cuivre au boîtier métallique de l'unité d'alimentation. Enroulez deux fois l'autre extrémité autour de

votre poignet, la partie adhésive de la bande côté peau.

3. Repérez et choisissez une paire de DSIMM sur la carte système.
4. Sortez le module DSIMM de son emballage, en le tenant par les côtés.

Instalación de DSIMMs

Nota — Utilice únicamente DSIMMs que estén especialmente diseñados para sistemas Sun Ultra 1.

1. Apague su equipo y abra la unidad del sistema (≡ 1).
2. Localice la muñequera antiestática y coloque su banda adhesiva de cobre en la parte metálica de la fuente de alimentación. Envuelva el otro extremo dos veces alrededor de su muñeca, con la parte adhesiva contra la piel.

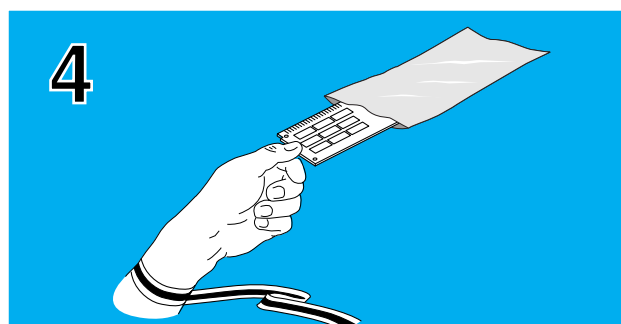
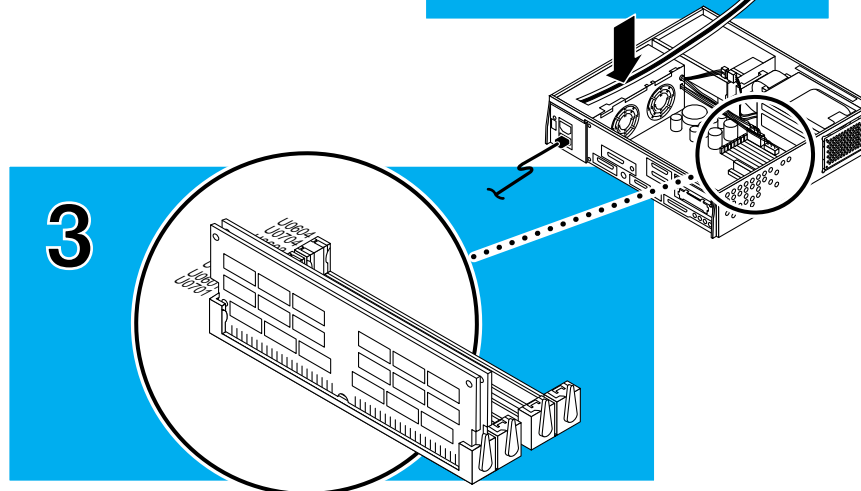
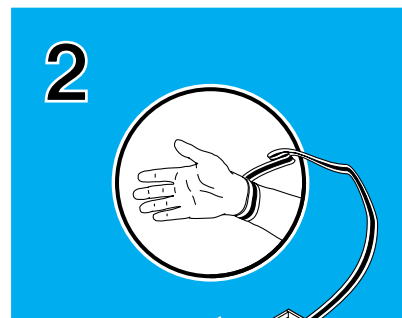
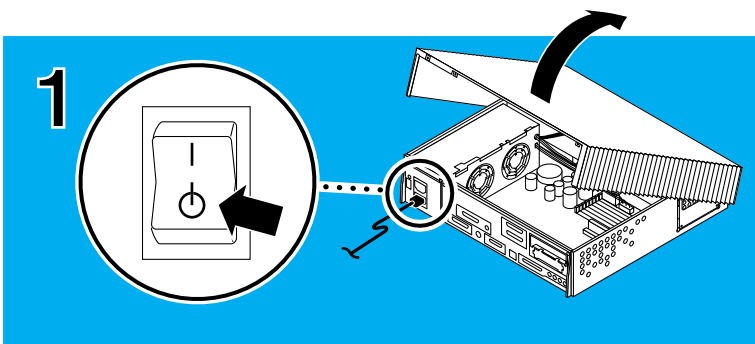
3. Localice las ranuras DSIMM en la placa lógica principal y seleccione un par de ranuras disponibles.
4. Desembale el DSIMM sujetándolo solo por los bordes.

Installazione dei DSIMM

Nota - Usare solo i DSIMM specificatamente progettati per i sistemi Sun Ultra 1.

1. Spegnerne il sistema ed aprire l'unità centrale (≡ 1).
2. Indossare il cinturino antistatico e collegare l'estremità adesiva in rame all'alimentatore. Arrotolare due volte intorno al polso l'altra estremità con la parte adesiva a contatto con la pelle.

3. Identificare gli slot dei DSIMM sulla scheda madre. Sceglierne una coppia disponibile.
4. Togliere il DSIMM dall'imballaggio, tenendolo dalle estremità.



Installing DSIMMs

5. For each DSIMM, align the notch on the side of the DSIMM with the ejector on the DSIMM slot. Insert the DSIMM into the slot.
6. Place both thumbs on top of the DSIMM and push it firmly into its connector until you hear the DSIMM “click.”
7. Detach the wrist strap and close the system unit (≡ 8).

Installation des modules DSIMM

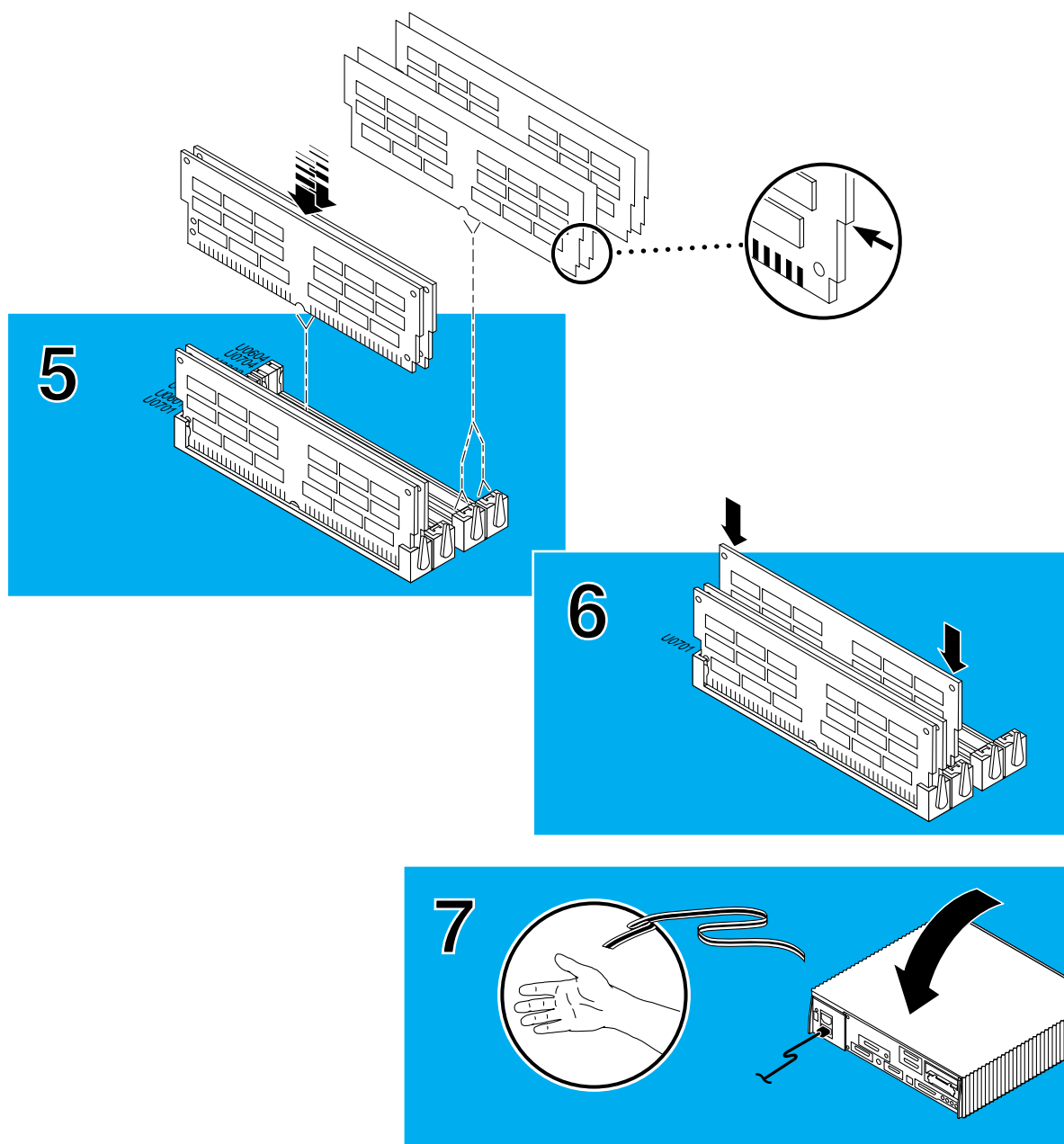
5. Pour chaque DSIMM, alignez l'encoche latérale du module DSIMM avec l'éjecteur de l'emplacement DSIMM. Insérez le module DSIMM dans son emplacement.
6. A l'aide de vos pouces, appuyez sur le haut du DSIMM et introduisez-le fermement dans son connecteur. Vous devez entendre un déclic.
7. Détachez le bracelet de mise à la terre et refermez l'unité système (≡ 8).

Instalación de DSIMMs

5. Para cada DSIMM, alinee la muesca lateral del DSIMM con el mecanismo de expulsión de la ranura DSIMM. Inserte el DSIMM en la ranura.
6. Coloque ambos pulgares en la parte superior del DSIMM y empújelo firmemente en su conector hasta que oiga que el DSIMM hace un “clic”.
7. Despegue la muñequera antiestática y cierre la unidad del sistema (≡ 8).

Installazione dei DSIMM

5. Fare coincidere ogni incisione sul fondo di ogni DSIMM con le linguette dello slot. Inserire il DSIMM nello slot.
6. Spingere con i pollici il DSIMM finché non lo si fissa al connettore. Per essere sicuri che sia bloccato in questa posizione, si deve udire un clic.
7. Togliere il cinturino antistatico e chiudere l'unità centrale (≡ 8).



Changing the RS-423/232 Jumpers

If you are connecting your system to a public X.25 network, you may need to change the serial port mode jumpers from RS-423 to RS-232 mode.

1. Power off your system and open the system unit (≡ 1).
2. Locate the wrist strap, and attach its adhesive copper strip to the metal casing of the power supply. Wrap the other end twice around your wrist, with the adhesive side against your skin.
3. Remove the graphics card to view the RS-423/232 jumpers.

Changement des cavaliers RS423/232

Si vous reliez votre système à un réseau public X.25, il est possible que vous deviez faire passer les cavaliers de port série du mode RS-423 au mode RS-232.

1. Mettez votre système hors tension, puis ouvrez l'unité système (reportez-vous à la procédure (≡ 1)).
2. Attachez le bracelet de mise à la terre à votre poignet et reliez son extrémité adhésive en cuivre au boîtier métallique de l'unité d'alimentation. Enroulez deux fois l'autre extrémité autour de votre poignet, la partie adhésive de la bande côté peau.
3. Otez la carte afin de voir les cavaliers RS-423/232.

Cambio de los puentes RS-423/232

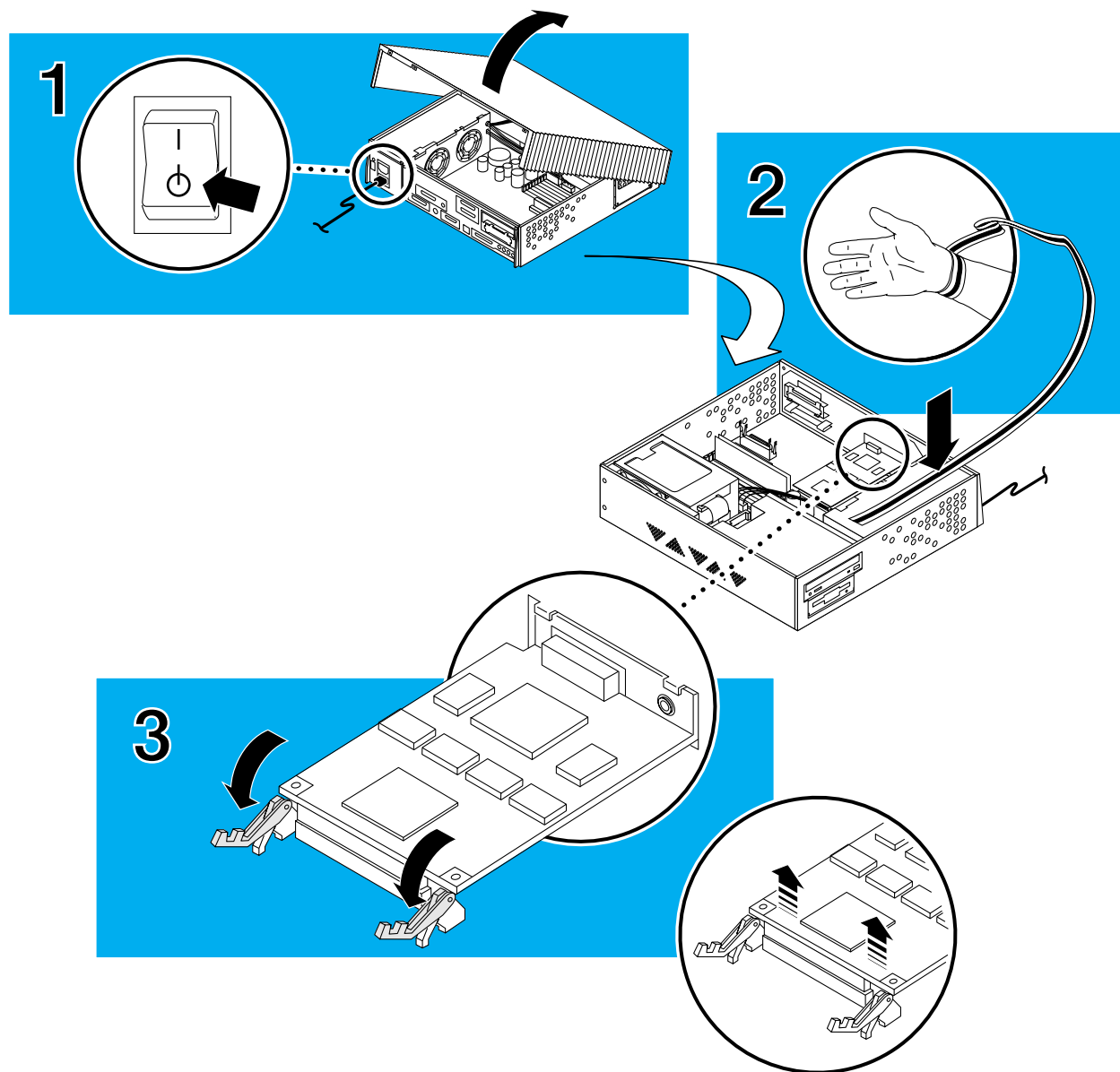
Si está conectando el sistema a una red X.25 pública, puede ser necesario cambiar los puentes de modo del puerto serie del modo RS-423 al modo RS-232.

1. Apague su equipo y abra la unidad del sistema (≡ 1).
2. Localice la muñequera antiestática y coloque su banda adhesiva de cobre en la parte metálica de la fuente de alimentación. Envuelva el otro extremo dos veces alrededor de su muñeca, con la parte adhesiva contra la piel.
3. Quite la tarjeta gráfica para ver los puentes RS-423/232.

Modifica dei ponticelli RS-423/232

Se il sistema va collegato ad una rete pubblica X.25 europea, cambiare i ponticelli della porta seriale dal modo RS423 al modo RS232.

1. Spegnere il sistema e aprire l'unità centrale (≡ 1).
2. Indossare il cinturino antistatico e collegare l'estremità adesiva in rame all'alimentatore. Arrotolare due volte intorno al polso l'altra estremità con la parte adesiva a contatto con la pelle.
3. Rimuovere quindi la scheda grafica per poter visualizzare i ponticelli RS-423/232.



Changing the RS-423/232 Jumpers

4. Locate the jumpers on the main logic board. Change the jumpers on J2104 and J2105 to position "B."
5. Replace the graphics card.
6. Detach the wrist strap and close the system unit (≡ 8).

Changement des cavaliers RS423/232

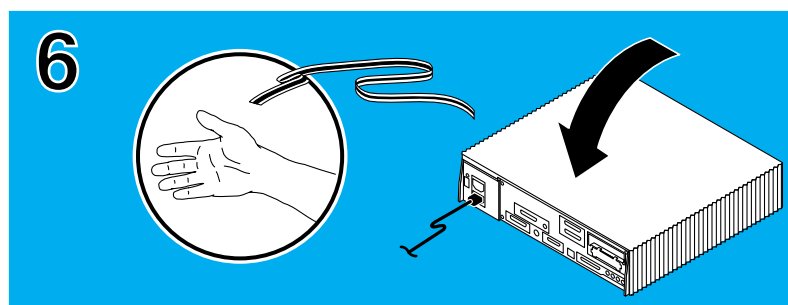
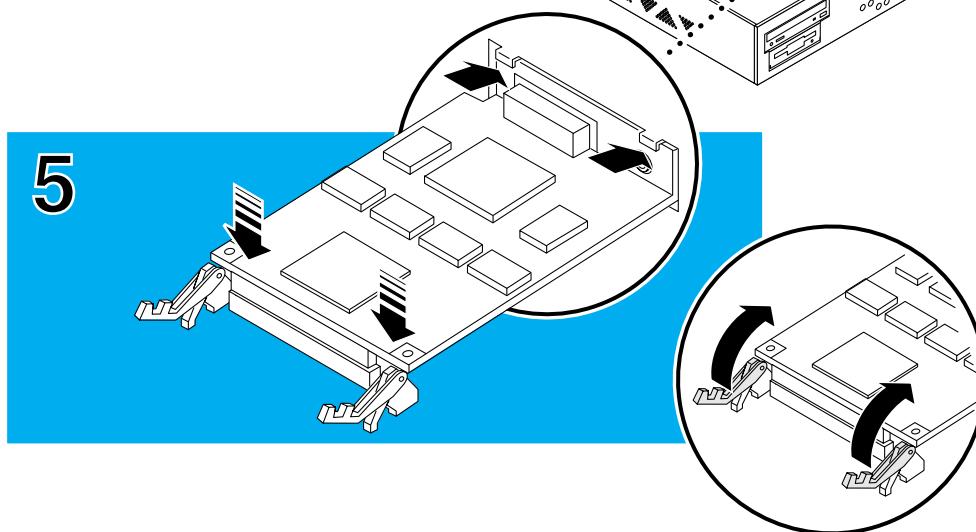
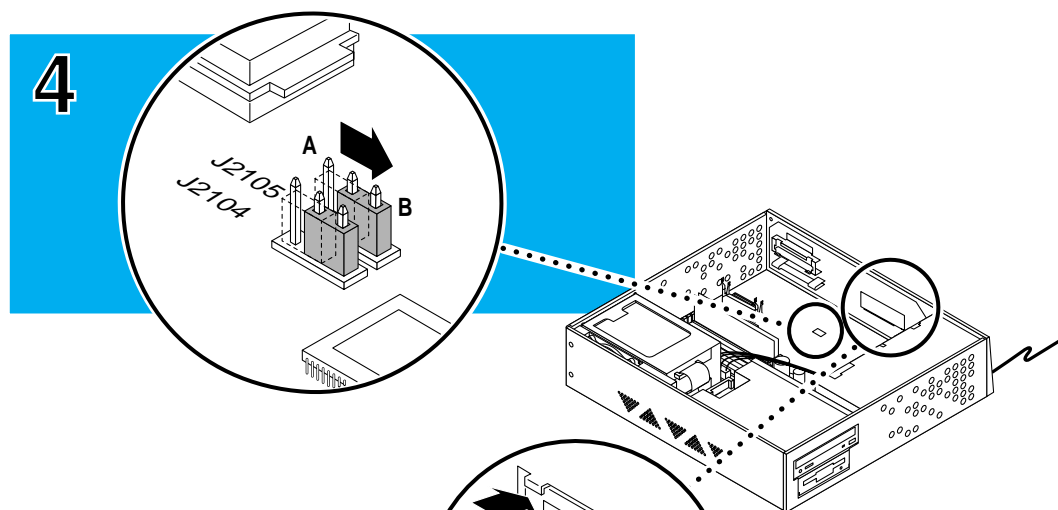
4. Repérez les cavaliers sur la carte système. Faites passer les cavaliers se trouvant sur J2104 et J2105 en position "B".
5. Remplacez la carte graphique.
6. Détachez le bracelet et refermez l'unité système (≡ 8).

Cambio de los puentes RS-423/232

4. Localice los puentes en la placa lógica principal. Coloque los puentes J2104 y J2105 en la posición "B".
5. Vuelva a colocar la tarjeta gráfica.
6. Despegue la muñequera antiestática y cierre la unidad del sistema (≡ 8).

Modifica dei ponticelli RS-423/232

4. Individuare i ponticelli sulla scheda madre. Spostare i ponticelli J2104 e J2105 in posizione "B".
5. Sostituire la scheda grafica.
6. Togliere il cinturino e chiudere l'unità centrale (≡ 8).



Installing Hard Disk Drives

Note — Use only hard drives that are specifically designed for a Sun Ultra 1 system.

1. Power off your system and open the system unit (≡ 1).
2. Locate the wrist strap, and attach the adhesive copper strip to the metal casing of the power supply. Wrap the other end twice around your wrist, with the adhesive side against your skin.

3. Use a screwdriver to remove the EMI door.
4. Remove the hard disk drive from the antistatic bag. Read the hard disk drive product guide for information about jumper or switch settings, or other installation tasks.

Installation des unités de disque dur

Remarque : n'utilisez que des unités de disque dur spécialement conçues pour un système Sun Ultra 1.

1. Mettez votre système hors tension, puis ouvrez l'unité système (reportez-vous à la procédure (≡ 1)).
2. Attachez le bracelet de mise à la terre à votre poignet et reliez l'extrémité adhésive en cuivre au boîtier métallique de l'unité d'alimentation. Enroulez deux fois l'autre extrémité autour de

vosre poignet, la partie adhésive de la bande côté peau.

3. Déposez le volet EMI à l'aide d'un tournevis.
4. Sortez l'unité de disque dur de son emballage antistatique. Reportez-vous au guide fourni avec l'unité pour plus d'informations sur les cavaliers et les commutateurs, ou sur les différentes étapes de l'installation.

Instalación de unidades de disco duro

Nota — Utilice sólo discos duros diseñados específicamente para sistemas Sun Ultra 1.

1. Apague su equipo y abra la unidad del sistema (≡ 1).
2. Localice la muñequera antiestática y coloque su banda adhesiva de cobre en la parte metálica de la fuente de alimentación. Envuelva el otro extremo dos veces alrededor de su muñeca, con la parte adhesiva contra la piel.

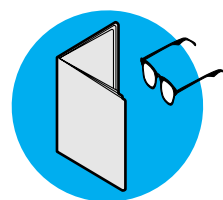
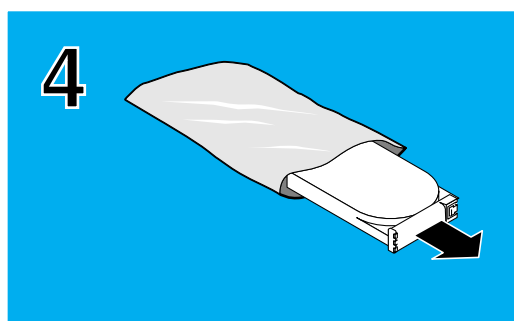
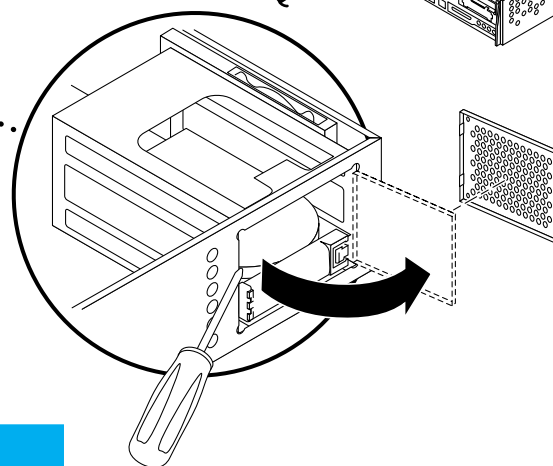
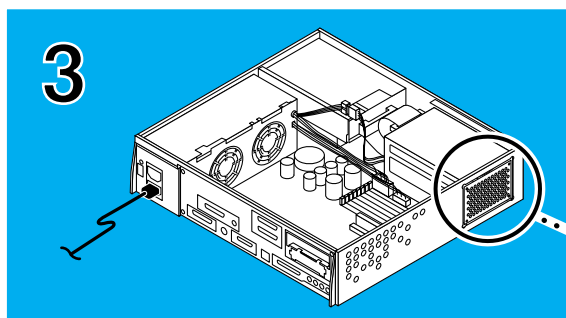
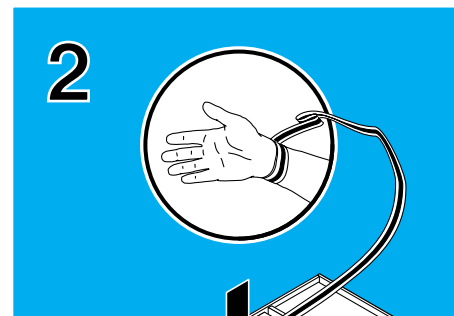
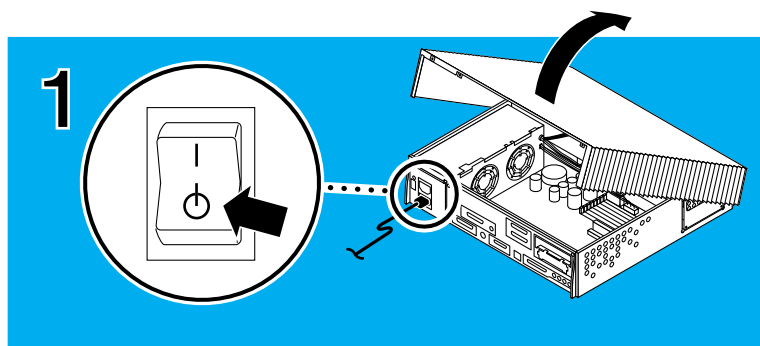
3. Utilice un destornillador para quitar la puerta EMI.
4. Saque la unidad de disco duro de la bolsa antiestática. Lea la guía del producto de la unidad de disco duro para obtener información sobre los valores de los puentes o conmutadores y otras tareas de instalación.

Installazione delle unità a disco fisso

Nota — Usare solo le unità a disco fisso specificatamente progettate per i sistemi Sun Ultra 1.

1. Spegnerne il sistema e aprire l'unità centrale (≡ 1).
2. Indossare il cinturino antistatico e collegare l'estremità adesiva in rame all'alimentatore. Arrotolare due volte intorno al polso l'altra estremità con la parte adesiva a contatto con la pelle.

3. Per rimuovere la porta EMI, usare un cacciavite.
4. Estrarre l'unità dalla confezione antistatica e leggere le istruzioni riportate nel manuale utente dell'unità a disco fisso per informazioni relative alle impostazioni degli switch o dei ponticelli o per le procedure di installazione.



Installing Hard Disk Drives

Note — SCSI address 0 is assigned to the drive in the bottom position by default, and SCSI address 1 is assigned to the drive in the top position by default. Make sure external SCSI devices connected to this system do not use the same addresses used for internal devices. Hard disk drives that are taller than 1 inch (2.54 cm) must be installed in the bottom position.

5. Open the drive handle and slide the drive completely into the chassis. Press the drive to connect it to the SCSI port in the system.
6. Close the drive handle. The handle will not latch if the drive is not properly installed.
7. Reinstall the EMI door.
8. Detach the wrist strap and close the system unit (≡ 8).

Installation des unités de disque dur

Remarque : l'adresse SCSI 0 est attribuée à l'unité en dernière position par défaut et l'adresse SCSI 1 à l'unité en première position par défaut. Vérifiez que les périphériques SCSI externes connectés à ce système n'utilisent pas les mêmes adresses que les périphériques internes. Les unités de disque dur dont la taille est supérieure à 1 pouce (2,54 cm) doivent être installées en dernière position.

5. Tirez la poignée de l'unité et faites glisser entièrement l'unité dans le châssis. Appuyez sur l'unité pour la connecter au port SCSI du système.
6. Refermez la poignée de l'unité. Si l'unité n'est pas correctement installée, la poignée ne se referme pas.
7. Remettez en place le volet de l'unité.
8. Détachez le bracelet de mise à la terre et refermez l'unité système (≡ 8).

Instalación de unidades de disco duro

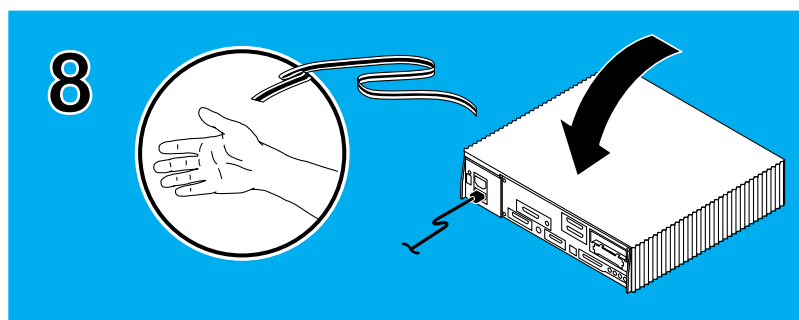
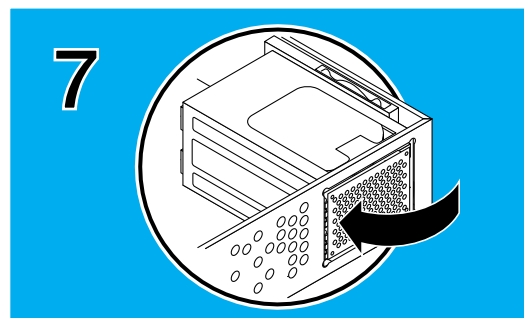
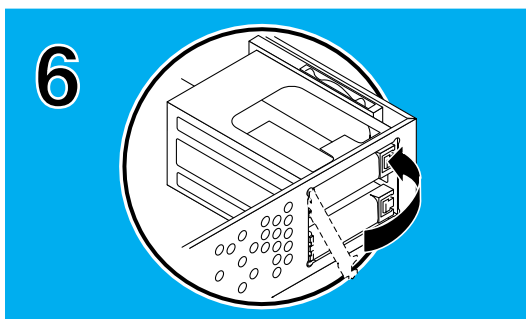
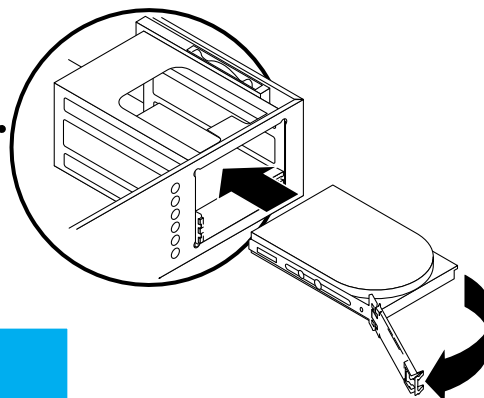
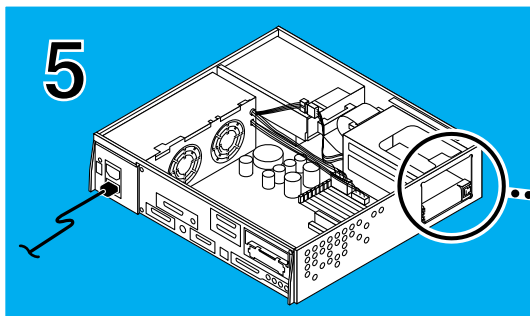
Nota — De forma predeterminada, se asigna la dirección SCSI 0 a la unidad de la posición inferior y la dirección SCSI 1 a la unidad de la posición superior. Asegúrese que los dispositivos SCSI externos conectados a este sistema no usan las mismas direcciones que se usan para los dispositivos internos. Las unidades de disco duro que son más altas que una pulgada (2,54 cm) deben instalarse en la posición inferior.

5. Abra la palanca de la unidad y deslice completamente la unidad en el chasis. Presione la unidad para conectarla al puerto SCSI del sistema.
6. Cierre la palanca de la unidad. Si la unidad no está instalada correctamente, la palanca no se bloqueará.
7. Reinstale la puerta EMI.
8. Despegue la muñequera antiestática y cierre la unidad del sistema (≡ 8).

Installazione delle unità a disco fisso

Nota — Per default, l'indirizzo 0 SCSI viene assegnato all'unità sul fondo e l'indirizzo SCSI 1 a quella in cima. Accertarsi che i dispositivi SCSI esterni collegati al sistema non utilizzino gli stessi indirizzi dei dispositivi interni. Le unità a disco fisso più alte di 2.54 cm devono essere installate in posizione sul fondo.

5. Aprire il vano del disco fisso e inserirlo completamente nel telaio. Premere l'unità per collegarla alla porta SCSI del sistema.
6. Chiudere il vano dell'unità. Se l'unità non è installata correttamente, la manopola di chiusura non scatta in posizione.
7. Reinstallare la porta EMI.
8. Togliere il cinturino antistatico e chiudere l'unità centrale (≡ 8).



Installing the Diskette Drive

1. Power off your system and open the system unit (≡ 1).
2. Locate the wrist strap, and attach the adhesive copper strip to the metal casing of the power supply. Wrap the other end twice around your wrist, with the adhesive side against your skin.
3. Remove the CD filler panel.
4. Use a Phillips screwdriver to remove the two screws near the opening, and unclip the power supply cable from the side of the drive bracket.
5. Slide the drive bracket in, and lift it out of the system.
6. Remove the diskette filler panel.
7. Remove the diskette drive from the antistatic bag. Read the diskette drive product guide for information about jumper or switch settings, or other installation tasks.

Installation du lecteur de disquette

1. Mettez votre système hors tension, puis ouvrez l'unité système (reportez-vous à la procédure ≡ 1).
2. Attachez le bracelet de mise à la terre à votre poignet et reliez l'extrémité adhésive en cuivre au boîtier métallique de l'unité d'alimentation. Enroulez deux fois l'autre extrémité autour de votre poignet, la partie adhésive de la bande côté peau.
3. Otez le cache SBus du CD.
4. A l'aide d'un tournevis cruciforme, desserrez les deux vis près de
- l'ouverture et détachez le câble d'alimentation du côté du support.
5. Insérez le support du lecteur en le faisant glisser et tirez-le hors du système.
6. Otez le cache SBus de la disquette.
7. Sortez le lecteur de disquette de son emballage antistatique. Reportez-vous au guide fourni avec le lecteur pour plus d'informations sur les cavaliers et les commutateurs, ou sur les

différentes étapes de l'installation.

Instalación de la unidad de disquetes

1. Apague su equipo y abra la unidad del sistema (≡ 1).
2. Localice la muñequera antiestática y coloque su banda adhesiva de cobre en la parte metálica de la fuente de alimentación. Envuelva el otro extremo dos veces alrededor de su muñeca, con la parte adhesiva contra la piel.
3. Quite el panel de relleno del CD.
4. Utilice un destornillador de estrella para quitar los dos tornillos que hay junto a la apertura y libere el cable de la fuente de alimentación por el lado del soporte de la unidad.
5. Deslice hacia adentro el soporte de la unidad y levántela hacia afuera del sistema.
6. Quite el panel de relleno de la unidad de diskette.
7. Saque la unidad de disquete de la bolsa antiestática. Lea la guía del producto de la unidad de diskette para obtener

información sobre los valores de los puentes o conmutadores y otras tareas de instalación.

Installazione dell'unità a dischetti

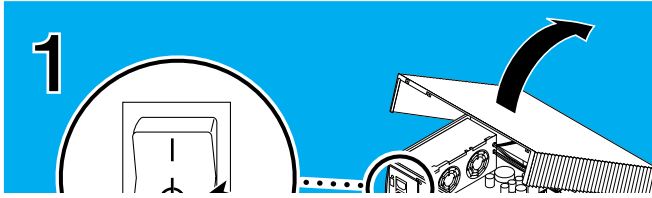
1. Spegnere il sistema e aprire l'unità centrale (≡ 1).
2. Indossare il cinturino antistatico e collegare l'estremità adesiva in rame all'alimentatore. Arrotolare due volte intorno al polso l'altra estremità con la parte adesiva a contatto con la pelle.
3. Rimuovere il pannello di riempimento.
4. Per rimuovere le due viti poste accanto al vano di apertura,
5. Inserire il supporto e sollevarlo per estrarlo dall'unità.
6. Rimuovere il pannello di riempimento del dischetto.
7. Estrarre l'unità a dischetti dalla confezione antistatica e leggere

servirsi di un cacciavite a croce e staccare il cavo di alimentazione dal lato del supporto dell'unità.

le istruzioni riportate nel manuale utente dell'unità a dischetti per informazioni relative alle impostazioni degli switch o dei



5



Installing the Diskette Drive

8. Use a Phillips screwdriver to attach the diskette drive to the drive bracket using the four screws provided.
9. Remove the diskette data cable from the kit and plug one end into the drive backplane marked **FLOPPY**. Connect the other end to the diskette drive.
10. Attach the connector labeled **P2** to the drive.
11. Lower the drive bracket into the chassis. Slide the drive bracket toward the opening.
12. Reinstall the two screws near the opening, and clip the power supply cable to the side of the drive bracket.
13. Reinstall the CD filler panel.
14. Detach the wrist strap and close the system unit (≡ **8**).

Installation du lecteur de disquette

8. A l'aide d'un tournevis, vissez le lecteur de disquette sur le support à l'aide des quatre vis fournies à cet effet.
9. Sortez du kit le câble de données de la disquette et branchez l'une de ses extrémités dans le panneau arrière de l'unité portant l'inscription **FLOPPY**. Connectez l'autre extrémité au lecteur de disquette.
10. Reliez le connecteur étiqueté **P2** au lecteur.
11. Placez le support dans le châssis. Faites-le glisser vers l'ouverture.
12. Resserrez les deux vis et fixez le câble d'alimentation sur le côté du support.
13. Réinstallez le cache du CD.
14. Détachez le bracelet de mise à la terre et refermez l'unité système (≡ **8**).

Instalación de la unidad de disquetes

8. Utilice un destornillador de estrella para sujetar la unidad de disquete al soporte de la unidad usando los cuatro tornillos que se proporcionan.
9. Saque del kit el cable de datos de la unidad y conecte un extremo a la placa de unidad marcada como **FLOPPY**. Conecte el otro extremo a la unidad de disquete.
10. Conecte a la unidad el conector etiquetado **P2**.
11. Baje la palanca de la unidad hacia adentro del chasis. Deslice la palanca de la unidad hacia la apertura.
12. Reinstale los dos tornillos situados junto a la apertura y sujete el cable de la fuente de alimentación a un lado del soporte de la unidad.
13. Reinstale el panel de relleno del CD.
14. Despegue la muñequera antiestática y cierre la unidad del sistema (≡ **8**).

Installazione dell'unità a dischetti

8. Per fissare l'unità a dischetti al supporto dell'unità, servirsi di un cacciavite a croce ed avvitare le quattro viti appositamente fornite.
9. Rimuovere il cavo dati del dischetto e inserirne un'estremità sul

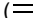
pannello posteriore dell'unità eseguendo il contrassegno **FLOPPY**. L'altra estremità va collegata all'unità a dischetti.

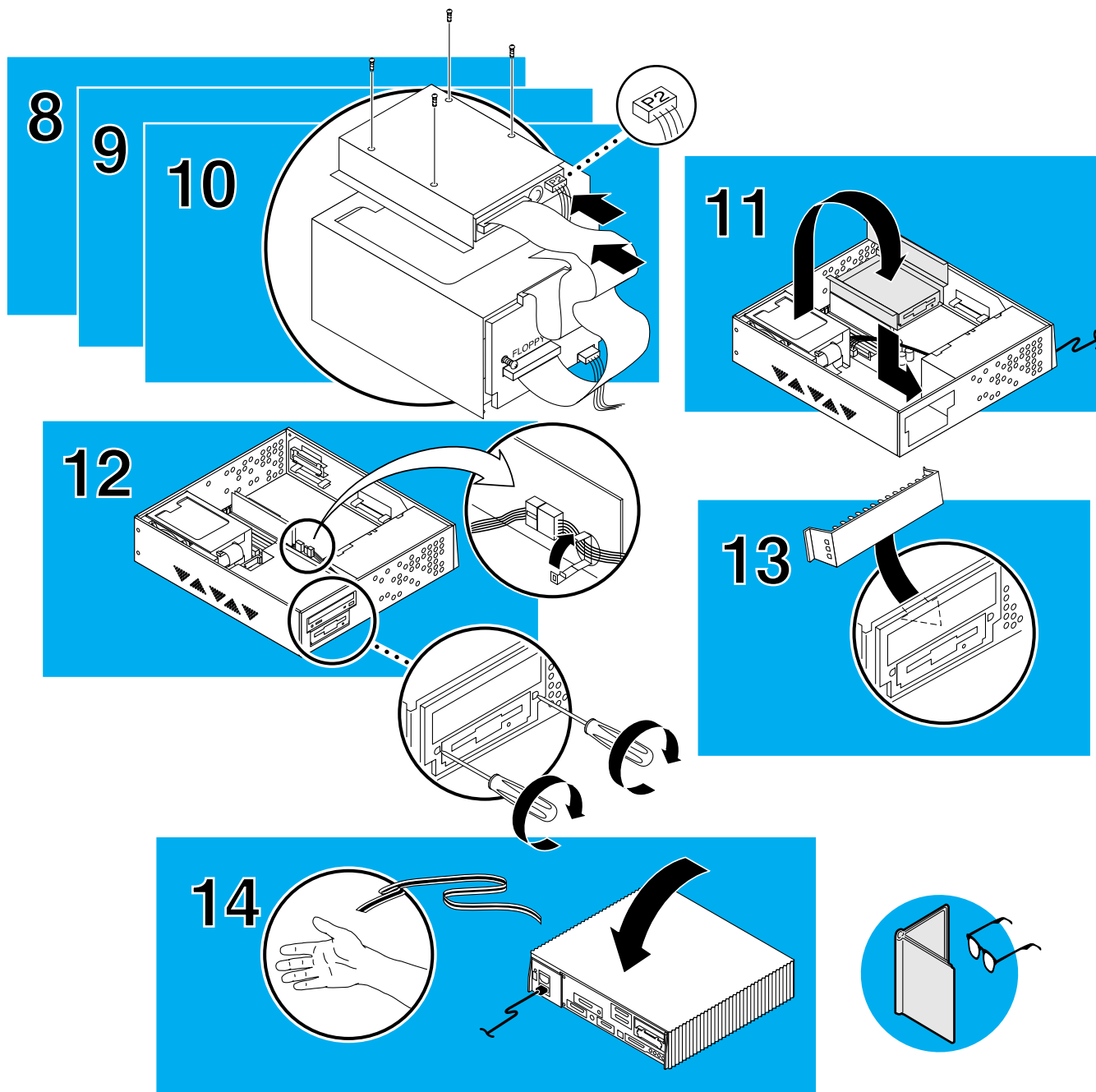


-
10. Collegare il connettore che porta l'etichetta **P2** all'unità.
 11. Inserire il supporto nel telaio e guidarlo verso l'apertura.

 Riavvitare le due viti accanto al vano di apertura e riattaccare il cavo di alimentazione sul lato del supporto dell'unità.

13. Reinstallare il pannello di riempimento dei CD.

14. Togliere il cinturino antistatico e chiudere l'unità centrale ( 8).



Installing the CD-ROM Drive

1. Power off your system and open the system unit (≡ 1).
2. Locate the wrist strap, and attach the adhesive copper strip to the metal casing of the power supply. Wrap the other end twice around your wrist, with the adhesive side against your skin.
3. Remove the CD filler panel.
4. Use a Phillips screwdriver to remove the two screws near the opening, and unclip the power supply cable from the side of the drive bracket.
5. Slide the the drive bracket in, and lift it out of the system.
6. Remove the CD-ROM drive from the antistatic bag. Read the CD-ROM drive product guide for information about jumper or switch settings, or any other installation tasks.

Installation du lecteur de CD-ROM

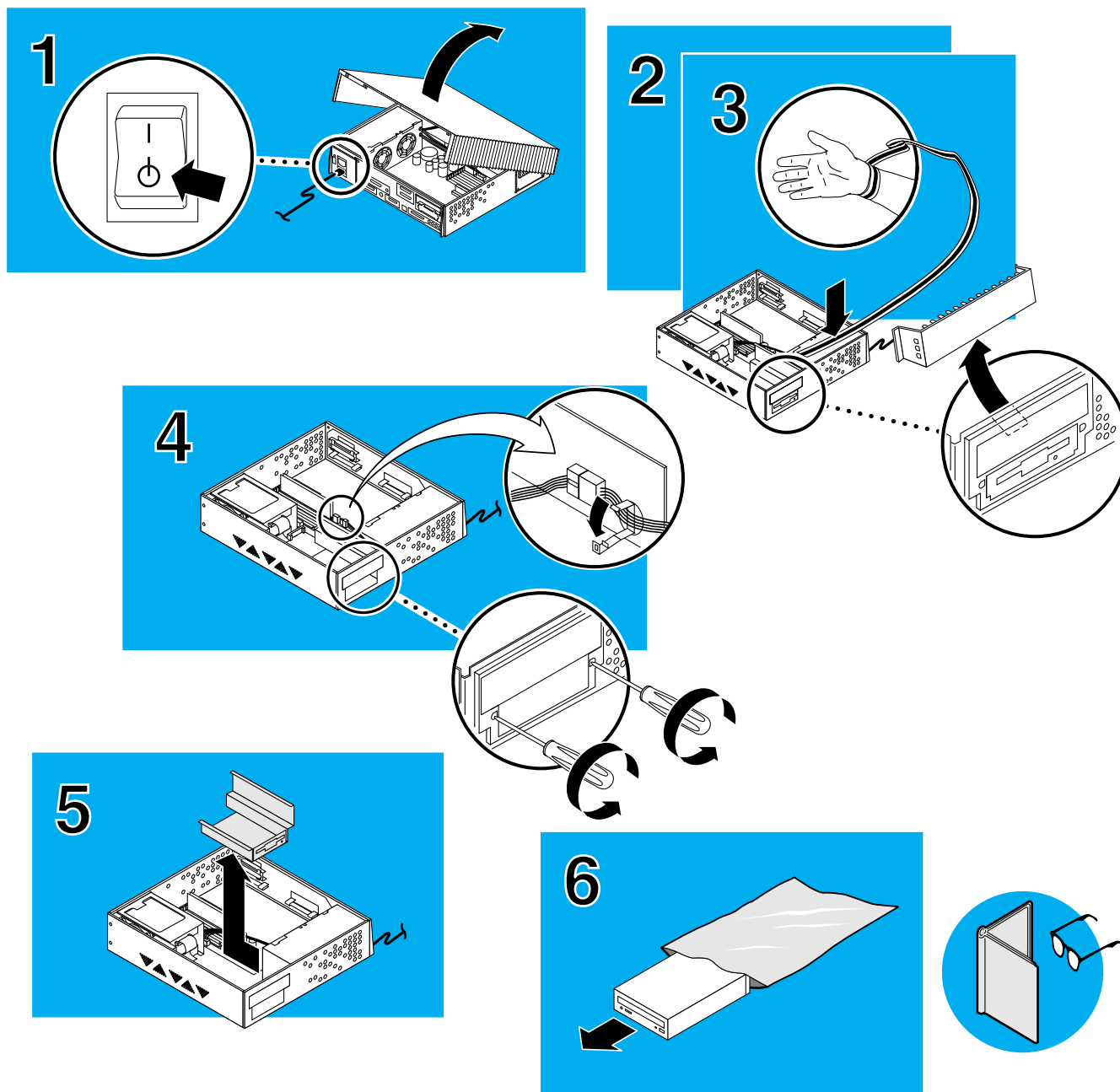
1. Mettez votre système hors tension, puis ouvrez l'unité système (reportez-vous à la procédure ≡ 1).
2. Attachez le bracelet de mise à la terre à votre poignet et reliez l'extrémité adhésive en cuivre au boîtier métallique de l'unité d'alimentation. Enroulez deux fois l'autre extrémité autour de votre poignet, la partie adhésive de la bande côté peau.
3. Otez le cache SBus du CD.
4. A l'aide d'un tournevis cruciforme, desserrez les deux vis près de l'ouverture et détachez le câble d'alimentation du côté du support.
5. Insérez la fixation du lecteur en le faisant glisser et tirez-le hors du système.
6. Sortez le lecteur de CD-ROM de son emballage antistatique. Reportez-vous au guide fourni avec le lecteur pour plus d'informations sur les cavaliers et les commutateurs, ou sur les différentes étapes de l'installation.

Instalación de la unidad de CD-ROM

1. Apague su equipo y abra la unidad del sistema (≡ 1).
2. Localice la muñequera antiestática y coloque su banda adhesiva de cobre en la parte metálica de la fuente de alimentación. Envuelva el otro extremo dos veces alrededor de su muñeca, con la parte adhesiva contra la piel.
3. Quite el panel de relleno del CD.
4. Utilice un destornillador de estrella para quitar los dos tornillos cercanos a la apertura y libere el cable de la fuente de alimentacion por el lado del soporte de la unidad.
5. Deslice hacia adentro el soporte de la unidad y levántelo hacia afuera del sistema.
6. Saque la unidad de CD-ROM de la bolsa antiestática. Lea la guía del producto de la unidad de CD-ROM para obtener información sobre los valores de los puentes o conmutadores y otras tareas de instalación.

Installazione dell'unità CD-ROM

1. Spegner il sistema e aprire l'unità centrale (≡ 1).
2. Indossare il cinturino antistatico e collegare l'estremità adesiva in rame all'alimentatore. Arrotolare due volte intorno al polso l'altra estremità con la parte adesiva a contatto con la pelle.
3. Rimuovere il pannello di riempimento.
4. Per rimuovere le due viti poste accanto al vano di apertura, servirsi di un cacciavite a croce e staccare il cavo di alimentazione dal lato del supporto dell'unità.
5. Inserire il supporto ed estrarlo dal sistema sollevandolo.
6. Estrarre l'unità a dischetti dalla confezione antistatica e leggere le istruzioni riportate nel manuale utente dell'unità CD-ROM per informazioni relative alle impostazioni degli switch o dei ponticelli o per le procedure di installazione.



Installing the CD-ROM Drive

Note — SCSI address 6 must be assigned to the CD-ROM drive. Make sure external SCSI devices connected to this system do not use the same addresses used for internal devices.

7. Use a Phillips screwdriver to attach the CD-ROM drive to the bracket using the four screws provided. Attach the connector labeled **CD** and the connector labeled **P3** to the drive.
8. Lower the drive bracket into the chassis. Slide the drive bracket

toward the opening.

9. Reinstall the two screws near the opening, and clip the power supply cable to the side of the drive bracket.
10. Detach the wrist strap and close the system unit (≡ **8**).

Refer to “Using the CD-ROM Drive” (≡ **12**).

Installation du lecteur de CD-ROM

Remarque : l'adresse SCSI 6 doit être attribuée au lecteur de CD-ROM. Vérifiez que les périphériques SCSI externes connectés à ce système n'utilisent pas les mêmes adresses que les périphériques internes.

7. À l'aide d'un tournevis, vissez le lecteur de CD-ROM sur le support à l'aide des quatre vis fournies à cet effet. Reliez le connecteur **CD** et le connecteur **P3** au lecteur.

8. Insérez le support du lecteur dans le châssis. Faites-le glisser vers l'ouverture.
9. Resserrez les deux vis et fixez le câble d'alimentation sur le côté du support.
10. Détachez le bracelet de mise à la terre et refermez l'unité système (≡ **8**).

Reportez-vous à la section “Utilisation du lecteur de CD-ROM” (≡ **12**).

Instalación de la unidad de CD-ROM

Nota — La unidad de CD-ROM debe tener asignada la dirección SCSI 6. Asegúrese que los dispositivos SCSI externos conectados a este sistema no usan las mismas direcciones que se usan para los dispositivos internos.

7. Utilice un destornillador de estrella para sujetar la unidad de CD-ROM al soporte con los cuatro tornillos incluidos. Conecte a la unidad los conectores marcados **CD** y **P3**.

8. Baje la palanca de la unidad hacia el interior del chasis. Deslice la palanca de la unidad hacia la apertura.
9. Reinstale los dos tornillos situados junto a la apertura y sujete el cable de la fuente de alimentación a un lado del soporte de la unidad.
10. Despegue la muñequera antiestática y cierre la unidad del sistema (≡ **8**).

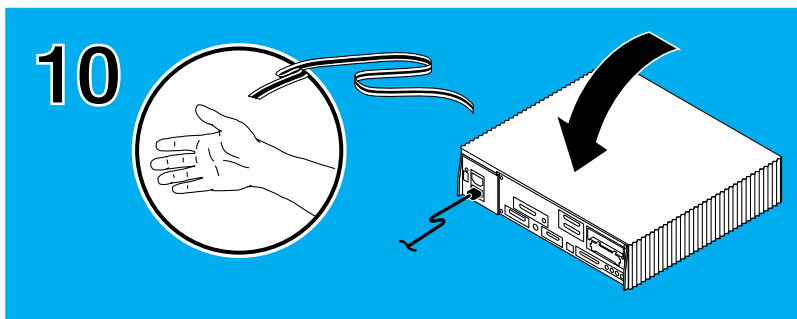
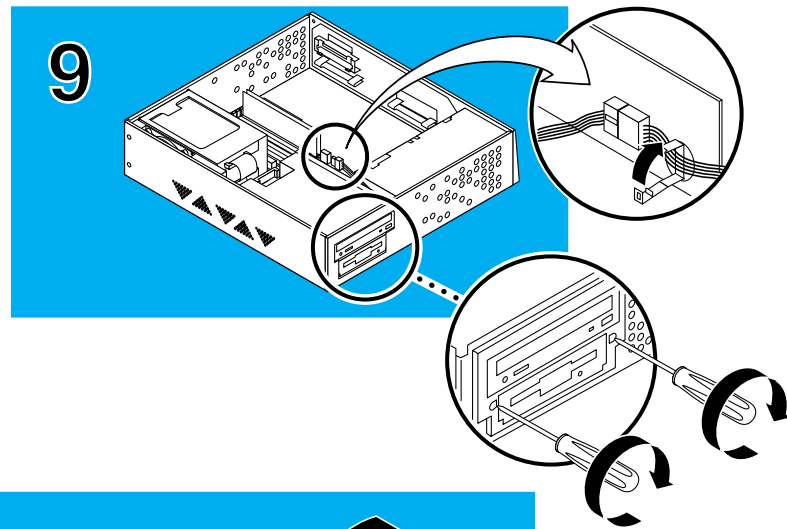
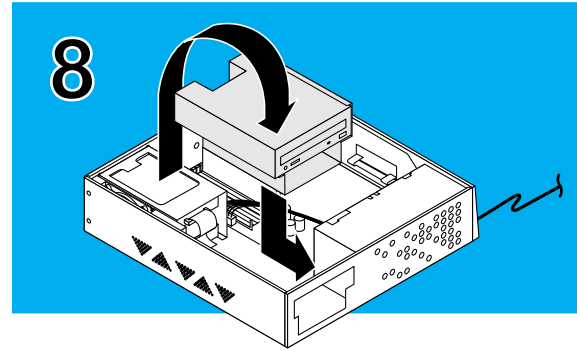
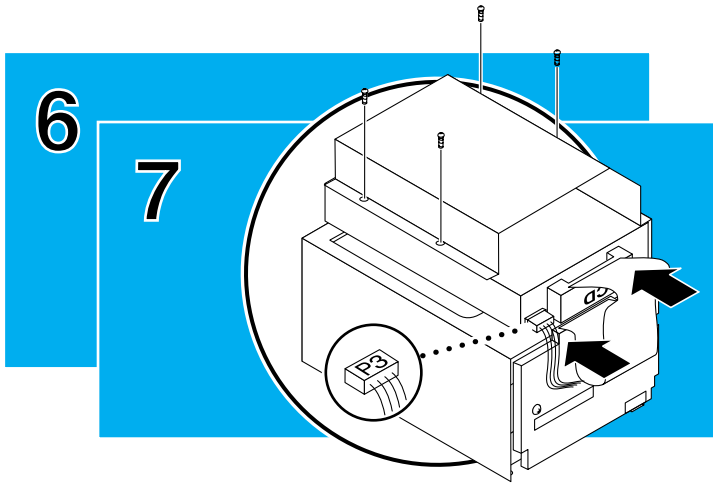
Consulte “Utilización de la unidad de CD-ROM” (≡ **12**).

Installazione dell'unità CD-ROM

Nota — Assegnare l'indirizzo SCSI 6 all'unità CD-ROM assicurandosi che i dispositivi SCSI esterni collegati al sistema non usino lo stesso indirizzo dei dispositivi interni.

7. Per collegare l'unità CD-ROM al supporto usare un cacciavite e le quattro viti appositamente fornite. Collegare il connettore contrassegnato **CD** e quello contrassegnato **P3** all'unità.

8. Inserire il supporto nel telaio e farlo scivolare verso l'apertura.
9. Riavvitare le due viti accanto al vano di apertura e fissare il cavo di alimentazione al lato del supporto dell'unità.
10. Togliere il cinturino antistatico e chiudere l'unità centrale (≡ **8**). Consultare “Uso dell'unità CD-ROM” (≡ **12**).



Installing SBus Cards

Read the SBus product guide for information about jumper or switch settings, slot requirements, and required tools.

1. Power off your system. Detach all cables from the system unit except the AC power cord.
2. Open the system unit (≡ 1).

3. Locate the wrist strap, and attach the adhesive copper strip to the metal casing of the power supply. Wrap the other end twice around your wrist, with the adhesive side against your skin.

Installation de cartes SBus

Reportez-vous au guide relatif aux cartes SBus pour obtenir des informations sur le réglage des cavaliers et des commutateurs ainsi que sur les emplacements et les outils nécessaires.

1. Mettez votre système hors tension. Déconnectez tous les câbles, à l'exception du câble d'alimentation de l'unité système.
2. Ouvrez l'unité système (reportez-vous à la procédure ≡ 1).

3. Attachez le bracelet de mise à la terre à votre poignet et reliez son extrémité adhésive en cuivre au boîtier métallique de l'unité d'alimentation. Enroulez deux fois l'autre extrémité autour de votre poignet, la partie adhésive de la bande côté peau.

Instalación de tarjetas SBus

Lea la guía del producto SBus para obtener información sobre la configuración de los puentes o conmutadores, requisitos de ranuras y las herramientas necesarias.

1. Apague el sistema. Desconecte todos los cables de la unidad del sistema excepto el de alimentación.
2. Abra la unidad del sistema (≡ 1).

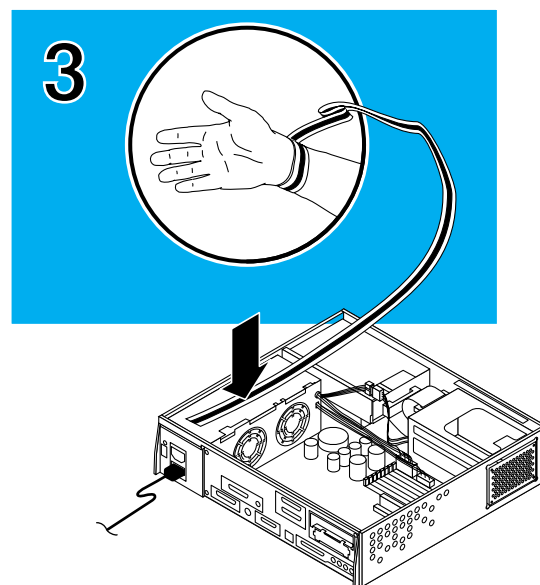
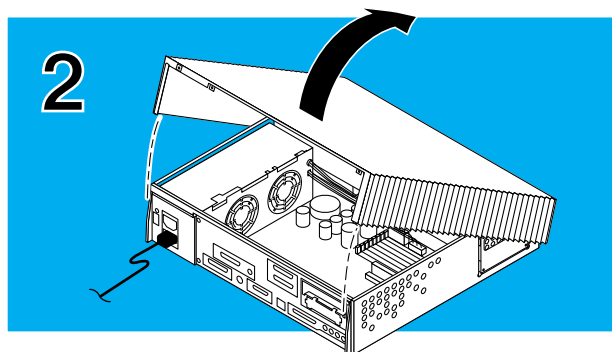
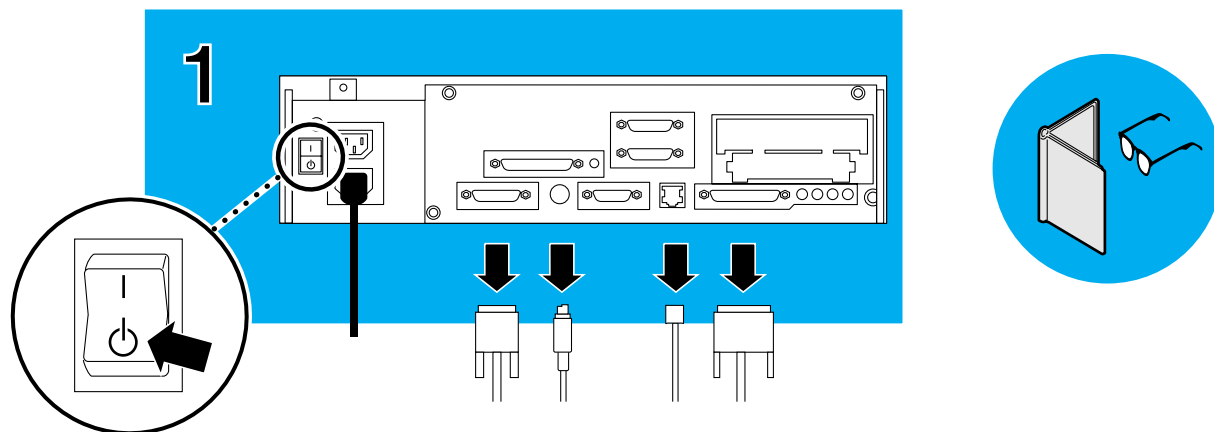
3. Localice la muñequera antiestática y coloque su banda adhesiva de cobre en la parte metálica de la fuente de alimentación. Envuelva el otro extremo dos veces alrededor de su muñeca, con la parte adhesiva contra la piel.

Installazione delle schede SBus

Per informazioni sulle impostazioni dei ponticelli o degli switch, gli slot richiesti e gli utensili necessari, leggere la guida sulle schede SBus.

1. Spegner il sistema. Scollegare tutti i cavi dall'unità centrale, eccetto il cavo di alimentazione.
2. Aprire l'unità centrale (≡ 1).

3. Indossare il cinturino antistatico e collegare l'estremità adesiva in rame all'alimentatore. Arrotolare due volte intorno al polso l'altra estremità con la parte adesiva a contatto con la pelle.



Installing SBus Cards

4. Identify the SBus slot and open the SBus card retainers.
5. Using both hands, grasp the tabs at the base of the SBus filler panel. Squeeze both tabs until the base of the panel is disengaged from the chassis. Swing the base toward you to remove it.

Installation de cartes SBus

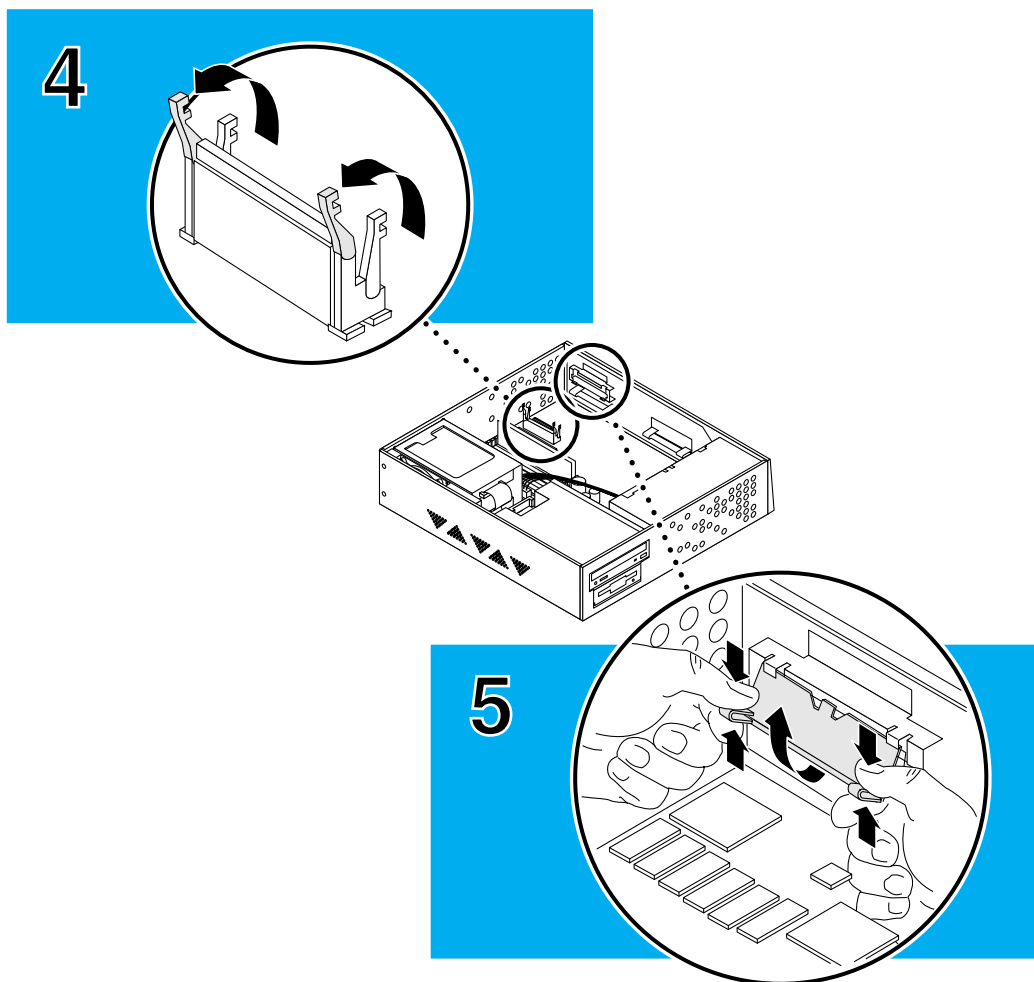
4. Repérez l'emplacement SBus et ouvrez le dispositif de blocage de la carte SBus.
5. Saisissez des deux mains les languettes se trouvant à la base du cache SBus. Appuyez jusqu'à ce que la base du panneau soit libérée du châssis. Ramenez la base vers vous afin de la retirer.

Instalación de tarjetas SBus

4. Identifique la ranura SBus y abra las sujeciones de la tarjeta SBus.
5. Utilizando ambas manos, coja las pestañas de la base del panel de relleno de tarjeta SBus. Apriete las dos pestañas hasta que la base del panel se libere del chasis. Desplace la base hacia usted para quitarla.

Installazione delle schede SBus

4. Identificare lo slot SBus e aprire le staffe della scheda SBus.
5. Prendere con le due mani le linguette poste sulla base del pannello di riempimento della SBus. Premere finché la base del pannello non si libera dal telaio. Estrarre la base tirandola verso di sé.



Installing SBus Cards

6. Holding the SBus card by the edges, unpack it and place it on an antistatic surface. If required, set the jumpers or switches on the card. See your SBus product guide.
7. Remove the SBus card extractor handle by bending one leg slightly to the outside until the hook clears the hole in the SBus card. Then remove the other side. The extractor can be removed easily without bending.

Note — If the card you are installing has tabs on the backplate, remove the backplate adapter by removing the two screws that attach it to the backplate. Discard the screws and plate.

Installation de cartes SBus

6. Sortez la carte SBus de sa pochette et déposez-la sur une surface antistatique, en prenant soin de la tenir par les bords. Réglez les cavaliers et les commutateurs situés sur la carte, si nécessaire. Reportez-vous, pour cela, au guide fourni avec la carte.
7. Retirez le dispositif d'extraction de la carte SBus en exerçant une légère pression sur l'une des tiges, puis tirez vers le haut afin de dégager le crochet du trou prévu à cet effet sur la carte.

Remarque : si la plaque de montage de la carte que vous installez comporte des languettes, retirez l'adaptateur de la plaque en enlevant les deux vis qui maintiennent la carte sur la plaque. Supprimez les vis et la plaque.

Instalación de tarjetas SBus

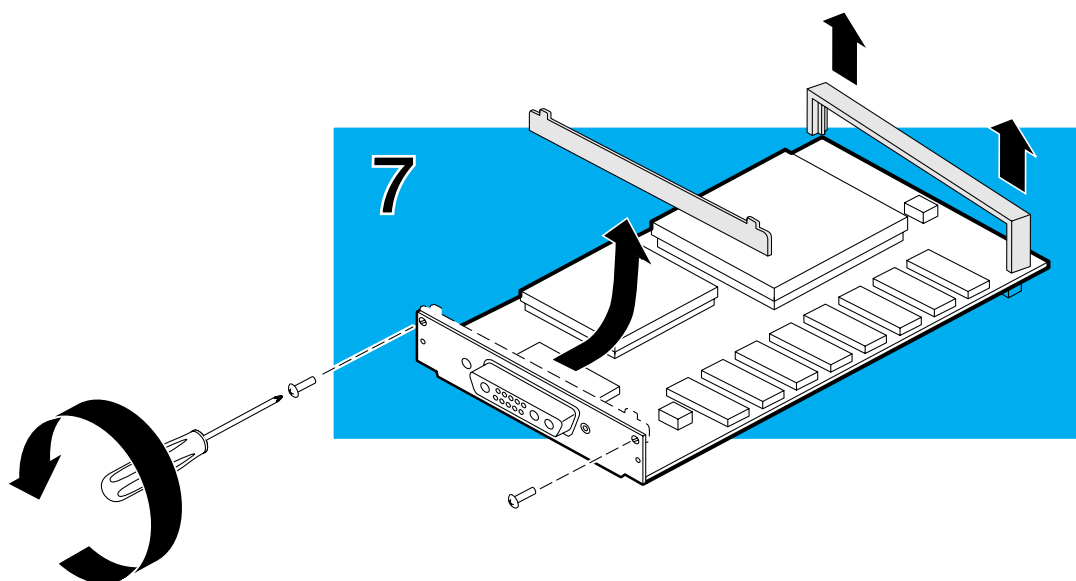
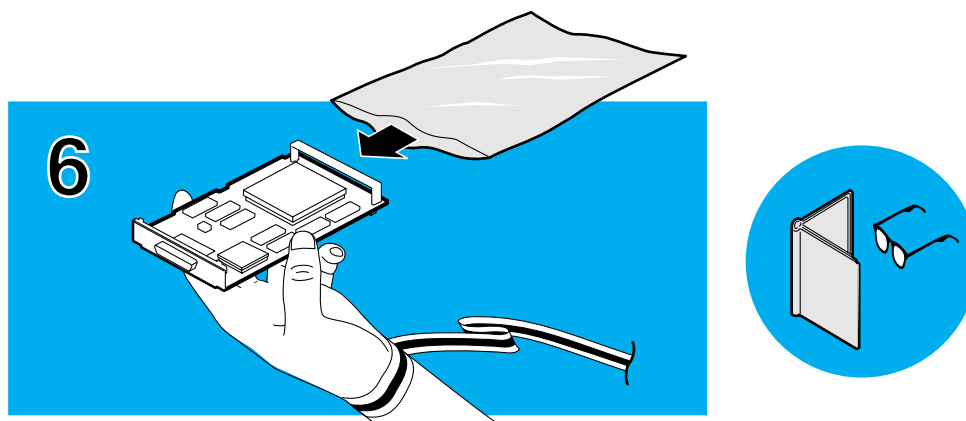
6. Sujetando la tarjeta SBus por los bordes, desenvuélvala y colóquela en una superficie antiestática. Si fuera necesario, configure los puentes o conmutadores de la tarjeta. Consulte la guía del producto SBus.
7. Quite el asa de sujeción de la tarjeta SBus doblando ligeramente hacia afuera una pata hasta que el gancho salga del orificio de la tarjeta SBus. Después quite el otro extremo. El asa de sujeción puede quitarse fácilmente sin doblarla.

Nota — Si la tarjeta que está instalando tiene pestañas en la placa posterior, quite el adaptador de placa posterior quitando los dos tornillos que lo sujetan a la placa posterior. Deseche los tornillos y la placa.

Installazione delle schede SBus

6. Tenendo la scheda SBus per i bordi, toglierla dall'imballaggio e porla su una superficie antistatica. Se necessario, impostare i ponticelli o gli switch della scheda. Consultare la guida sulle schede SBus.
7. Togliere la staffa di estrazione della scheda piegandone leggermente un'aletta verso l'esterno fino a liberare il gancio dal foro della scheda. Togliere l'altro lato e la maschera di estrazione dovrebbe uscire senza piegarsi.

Nota — Se la scheda che si sta installando possiede le linguette sulla piastra di fondo, rimuoverne l'adattatore togliendo le due viti di fissaggio. Mettere da parte le viti e la piastra.



Installing SBus Cards

8. Holding the card at an angle, insert the card backplate behind the tabs at the top of the SBus opening.
9. Lower the card into position. Carefully press the corners of the card to push it into the connector. Do not force the card or you will damage the pins on the connector.
10. Push the card retainers forward over the edge of the SBus card.

Installation de la carte SBus

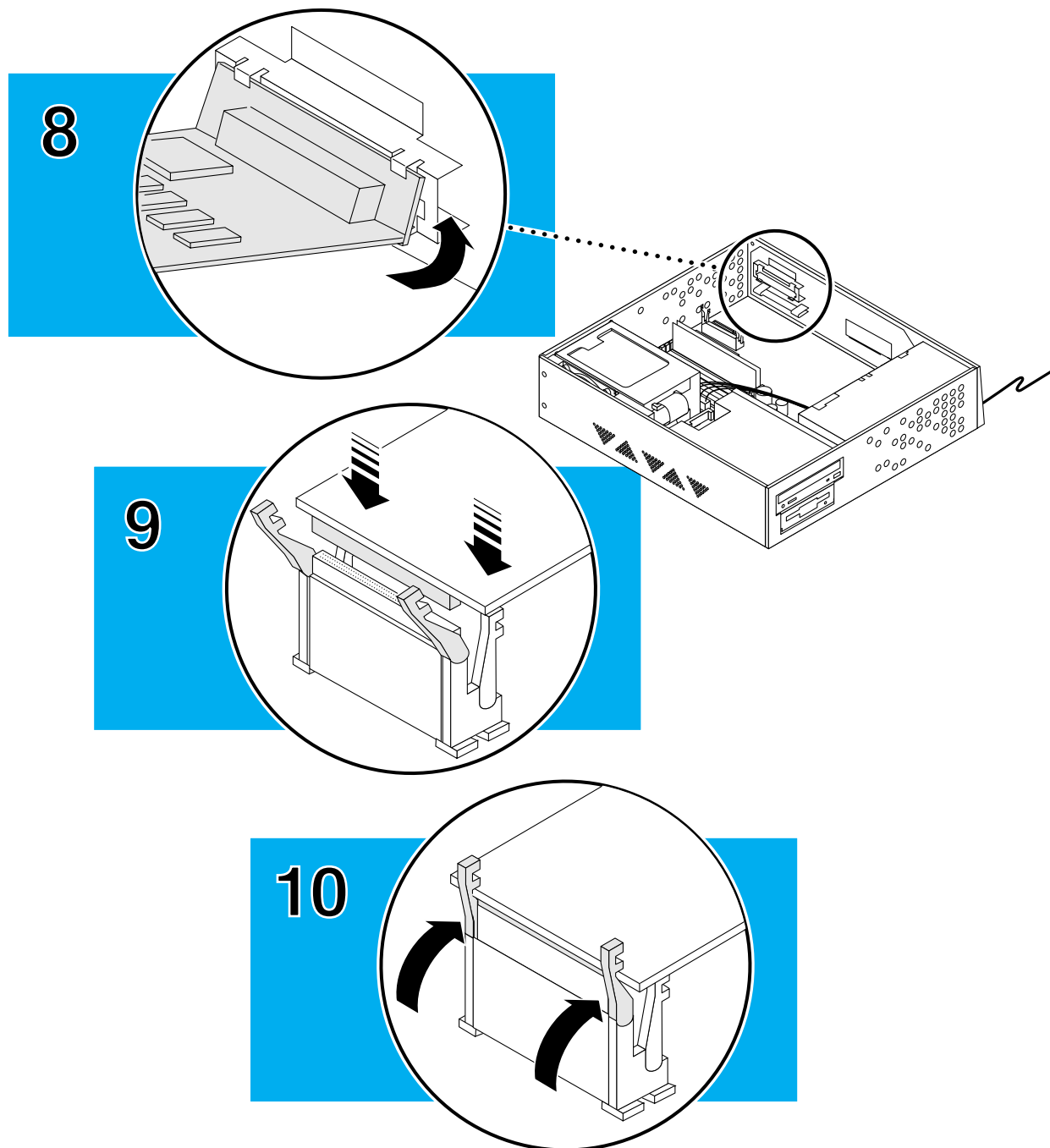
8. En maintenant la carte inclinée, insérez la plaque de montage de la carte à l'arrière des languettes, au-dessus de l'ouverture de la carte SBus.
9. Exercez une légère pression sur les coins de la carte pour enfoncer les broches dans le connecteur. Si la pression est trop grande, vous risquez d'endommager les broches.
10. Relevez les dispositifs de blocage sur le bord de la carte SBus.

Instalación de tarjetas SBus

8. Sujetando la tarjeta inclinada, inserte la placa posterior de la tarjeta por detrás de las pestañas de la parte superior de la apertura del SBus.
9. Baje la tarjeta hasta la posición correcta. Presione con cuidado las esquinas de la tarjeta para insertarla en el conector. No fuerce la tarjeta o dañará los contactos del conector.
10. Empuje las patillas de retención hacia delante, por encima del extremo de la tarjeta SBus.

Installazione delle schede SBus

8. Mantenendo la scheda da un angolo, inserire la piastra di fondo dietro le linguette sopra l'apertura SBus
9. Abbassare la scheda in posizione. Premere leggermente gli angoli della scheda per inserirli nel connettore. Non forzare la scheda per non danneggiare i piedini del connettore.
10. Spingere in avanti le staffe di della scheda SBus, sopra il bordo della scheda stessa.



Installing SBus Cards

11. Detach the wrist strap. Close the system unit (≡ 8). Reconnect all cables to the back of the system unit and the SBus card.
12. Refer to your SBus product guide to complete any required software installation, configuration, or additional setup procedures.

Installation de cartes SBus

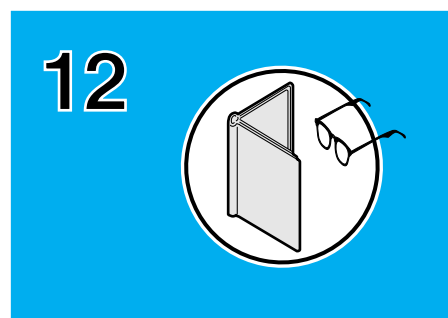
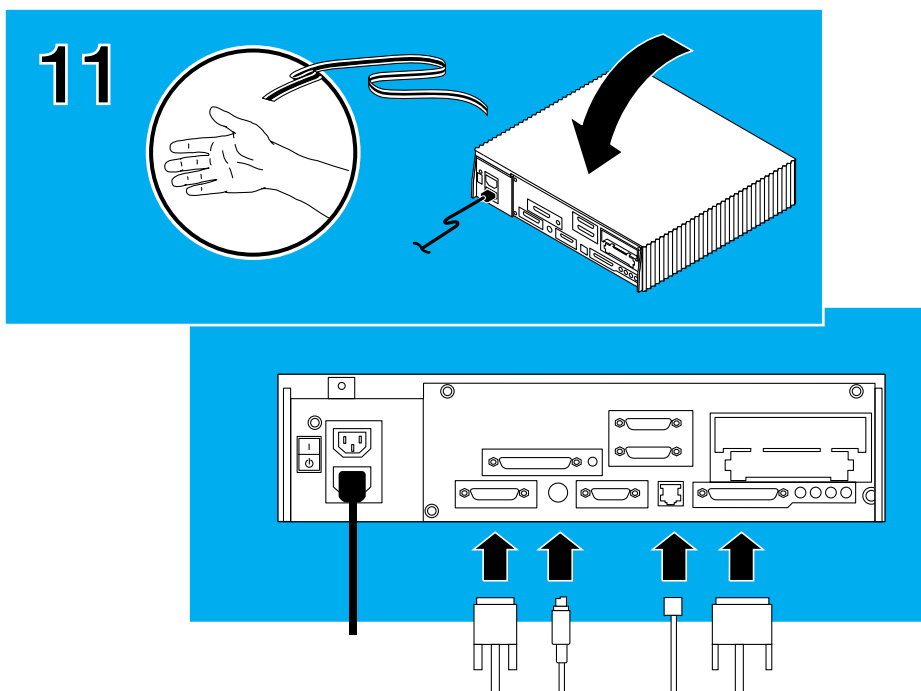
11. Retirez le bracelet de mise à la terre. Fermez l'unité système (reportez-vous à la procédure ≡ 8). Rebranchez tous les câbles à l'arrière de l'unité système ainsi que ceux de la carte SBus.
12. Pour plus d'informations concernant l'installation et la configuration de logiciel, ainsi que des procédures supplémentaires, consultez le guide fourni avec la carte.

Instalación de tarjetas SBus

11. Despegue la muñequera. Cierre la unidad del sistema (≡ 8). Reconecte todos los cables a la parte posterior de la unidad del sistema y a la tarjeta SBus.
12. Consulte la guía del producto SBus para realizar cualquier instalación de software, configuración o procedimientos de instalación adicionales que fueran necesarios.

Installazione delle schede SBus

11. Togliere il cinturino antistatico. Chiudere l'unità centrale (≡ 8). Ricollegare tutti i cavi sul retro dell'unità centrale e sulla scheda SBus.
12. Consultare la guida sulle schede SBus per eseguire ogni eventuale installazione software, configurazione o procedure di impostazione aggiuntive.



Closing the System Unit

1. Align the cover to the front of the system unit. Guide the cover rail into its matching groove.
2. Slowly lower the cover onto the system unit. Guide the grooves at the back of the cover over the matching channels on the rear of the system unit. Press down on the back of the cover to fully seat the cover onto the chassis.
3. Secure the cover to the chassis. Tighten the screws in the upper-right and upper-left corners of the back panel.
Install the lock block (≡ 11) if necessary.

Fermeture de l'unité système

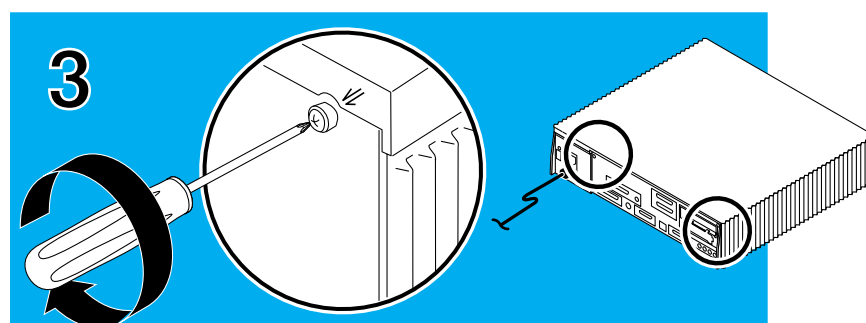
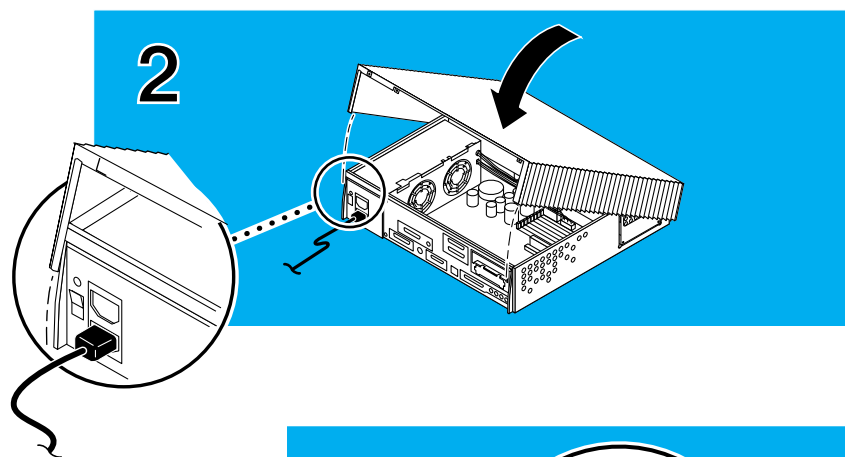
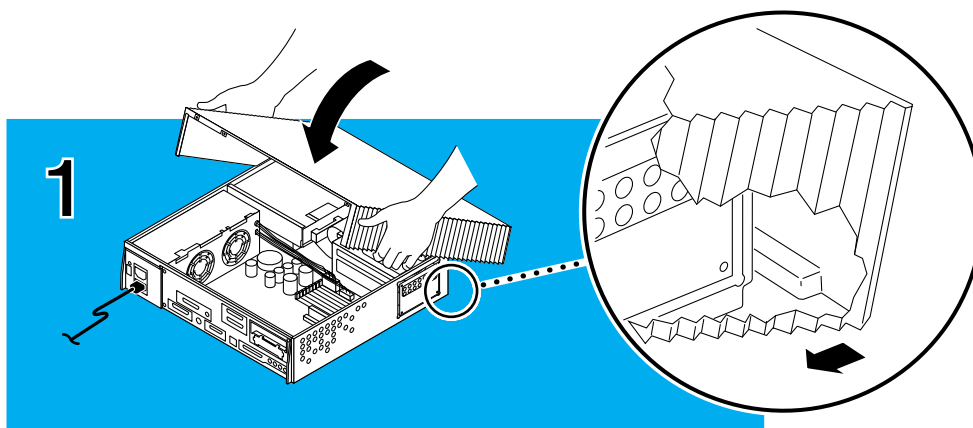
1. Placez le couvercle devant l'unité système. Guidez doucement le rail du couvercle dans les fentes prévues à cet effet.
2. Abaissez doucement le couvercle de l'unité système. Guidez les crochets de blocage situés à l'arrière du couvercle dans les rainures correspondantes placées à l'arrière de l'unité système. Appuyez sur le couvercle afin de l'enclencher dans le châssis.
3. Fixez le couvercle sur le châssis. Serrez les vis situées dans les angles supérieur droit et supérieur gauche du panneau arrière.
Réinstallez si nécessaire le système de verrouillage (≡ 11).

Cierre de la unidad del sistema

1. Alinee la tapa con la parte frontal de la unidad del sistema. Guíe el carril hacia dentro de la ranura correspondiente.
2. Baje la tapa lentamente hacia la unidad del sistema. Guíe las ranuras de la parte trasera de la tapa por encima de los canales correspondientes de la parte posterior de la unidad del sistema. Presione hacia abajo la parte trasera de la tapa para acomodarla completamente en el chasis.
3. Sujete la tapa al chasis. Apriete los tornillos de las esquinas superior derecha y superior izquierda del panel trasero.
Instale el elemento de bloqueo (≡ 11) si fuera necesario.

Chiusura dell'unità centrale

1. Allineare il coperchio e la parte frontale dell'unità centrale. Guidare con cura le linguette di incernieramento nelle fessure dello slot sulla parte frontale dell'unità centrale.
2. Abbassare lentamente il coperchio sull'unità centrale. Guidare le fessure sul retro del coperchio sui canali corrispondenti sul retro dell'unità centrale e premere il retro del coperchio per assestarlo bene sul telaio.
3. Fissare bene il coperchio sul telaio. Per reinstallare l'antifurto e per stringere le viti sull'angolo superiore destro e sinistro del pannello posteriore usare un cacciavite a croce.
Se necessario installare l'antifurto (≡ 11).



Connecting a Twisted-Pair Ethernet Cable

Note — Connect only one Ethernet cable to the back of your system. If you require access to two Ethernet networks, you must install an Ethernet SBus card.

1. Press the Standby (⏻) side of the power switch.
2. Plug the TPE cable into the Ethernet connector on the back of your system unit until you hear the connector tab “click.”

3. Plug the other end of the TPE cable into the TPE outlet in the wall or the floor, until you hear a “click.”
4. See the *Sun Ultra 1 Reference Manual* for TPE link test information.
5. Check that your system administrator has set up your user account, network address, and domain name.

Connexion d'un câble Ethernet à paire torsadée

Remarque : ne connectez qu'un seul câble Ethernet sur le panneau arrière de votre système. Si vous devez accéder à deux réseaux Ethernet, vous devez installer une carte SBus Ethernet.

1. Appuyez sur l'interrupteur de mise en veille (Standby ⏻).
2. Branchez le câble TPE dans le connecteur Ethernet sur le panneau arrière de votre unité système. La languette-ressort du connecteur doit émettre un clic.

3. Branchez l'autre extrémité du câble TPE dans la prise TPE, située sur le mur ou au sol. La languette-ressort du connecteur doit émettre un clic.
4. Reportez-vous à la brochure *Sun Ultra 1 Reference Manual* pour plus d'informations sur TPE.
5. Assurez-vous que votre administrateur système a configuré vos compte utilisateur, adresse de réseau et nom de domaine.

Conexión de un cable Ethernet de par trenzado

Nota — Conecte sólo un cable Ethernet en la parte posterior de su sistema. Si necesita acceder a dos redes Ethernet, debe instalar una tarjeta SBus de Ethernet.

1. Pulse el interruptor (⏻) para apagar el equipo.
2. Conecte el cable TPE en el conector Ethernet de la parte posterior de la unidad del sistema hasta que oiga que la patilla del conector hace “clic”.

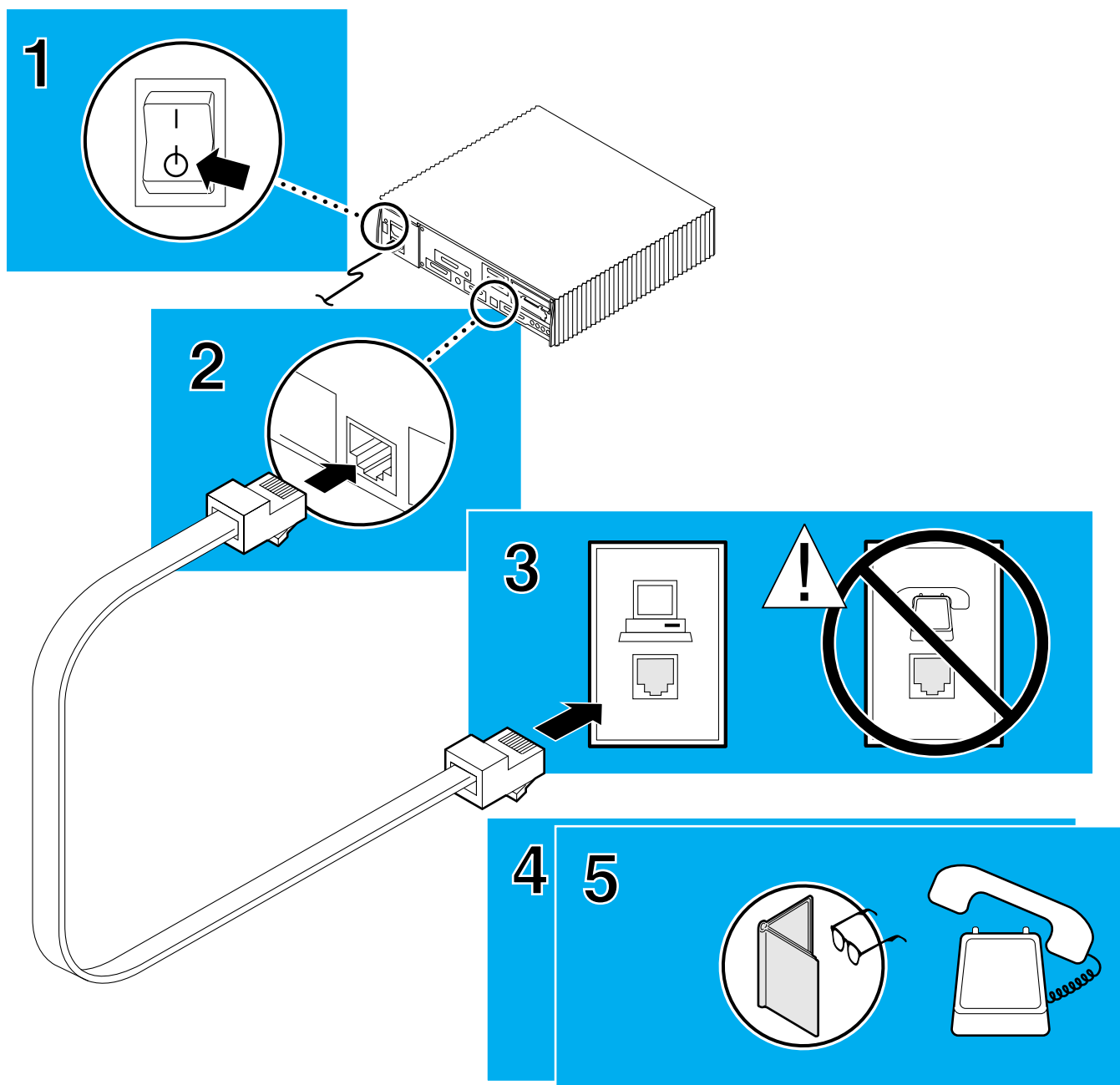
3. Conecte el otro extremo del cable TPE en la toma TPE de la pared o el suelo, hasta que oiga un “clic”.
4. Consulte el manual *Sun Ultra 1 Reference Manual* para obtener información sobre la prueba de la conexión TPE.
5. Compruebe que el administrador de su sistema haya definido su cuenta de usuario, dirección de red y nombre de dominio.

Collegamento di un cavo Ethernet twisted-pair

Nota – Collegare solo un cavo Ethernet sul retro dell'unità centrale. Se è necessario l'accesso a due reti Ethernet, installare una scheda SBus Ethernet.

1. Premere il lato stand-by (⏻) del pulsante di alimentazione.
2. Collegare il cavo TPE nel connettore Ethernet sul retro dell'unità centrale fino a far scattare la linguetta

3. Inserire l'altra estremità del cavo TPE nella presa TPEa muro o per terra fino a far scattare la linguetta.
4. Per informazioni in merito, consultare il documento *Sun Ultra 1 Reference Manual*.
5. Verificare che l'amministratore del sistema abbia impostato il proprio account, indirizzo di rete e nome del dominio.



Connecting a Thick Ethernet (AUI) Cable

Note — Connect only one Ethernet cable to the back of your system. If you require access to two Ethernet networks, you must install an Ethernet SBus card.

1. Press the Standby (⏻) side of the power switch.
2. Plug the optional MII-to-AUI converter into the MII connector on the back of your system unit.

3. Plug the thick Ethernet cable into the MII-to-AUI converter. Slide the lock on the connector to secure the connection.
4. Check that your system administrator has set up your user account, network address, and domain name.

Connexion d'un câble Ethernet épais (AUI)

Remarque : ne connectez qu'un seul câble Ethernet sur le panneau arrière de votre système. Si vous devez accéder à deux réseaux Ethernet, vous devez installer une carte SBus Ethernet.

1. Appuyez sur l'interrupteur de mise en veille (Standby ⏻).
2. Branchez le convertisseur MII-AUI optionnel dans le connecteur MII situé sur le panneau arrière de l'unité système.

3. Branchez le câble Ethernet épais dans le convertisseur MII-AUI. Poussez le mécanisme de verrouillage du connecteur pour bloquer la connexion.
4. Assurez-vous que votre administrateur système a configuré vos compte utilisateur, adresse de réseau et nom de domaine.

Conexión de un cable Ethernet de tipo grueso (AUI)

Nota — Conecte sólo un cable Ethernet en la parte posterior de su sistema. Si necesita acceder a dos redes Ethernet, debe instalar una tarjeta SBus Ethernet.

1. Pulse el interruptor (⏻) para apagar el equipo.
2. Conecte el conversor opcional MII-AUI en el conector MII situado en la parte trasera de la unidad del sistema.

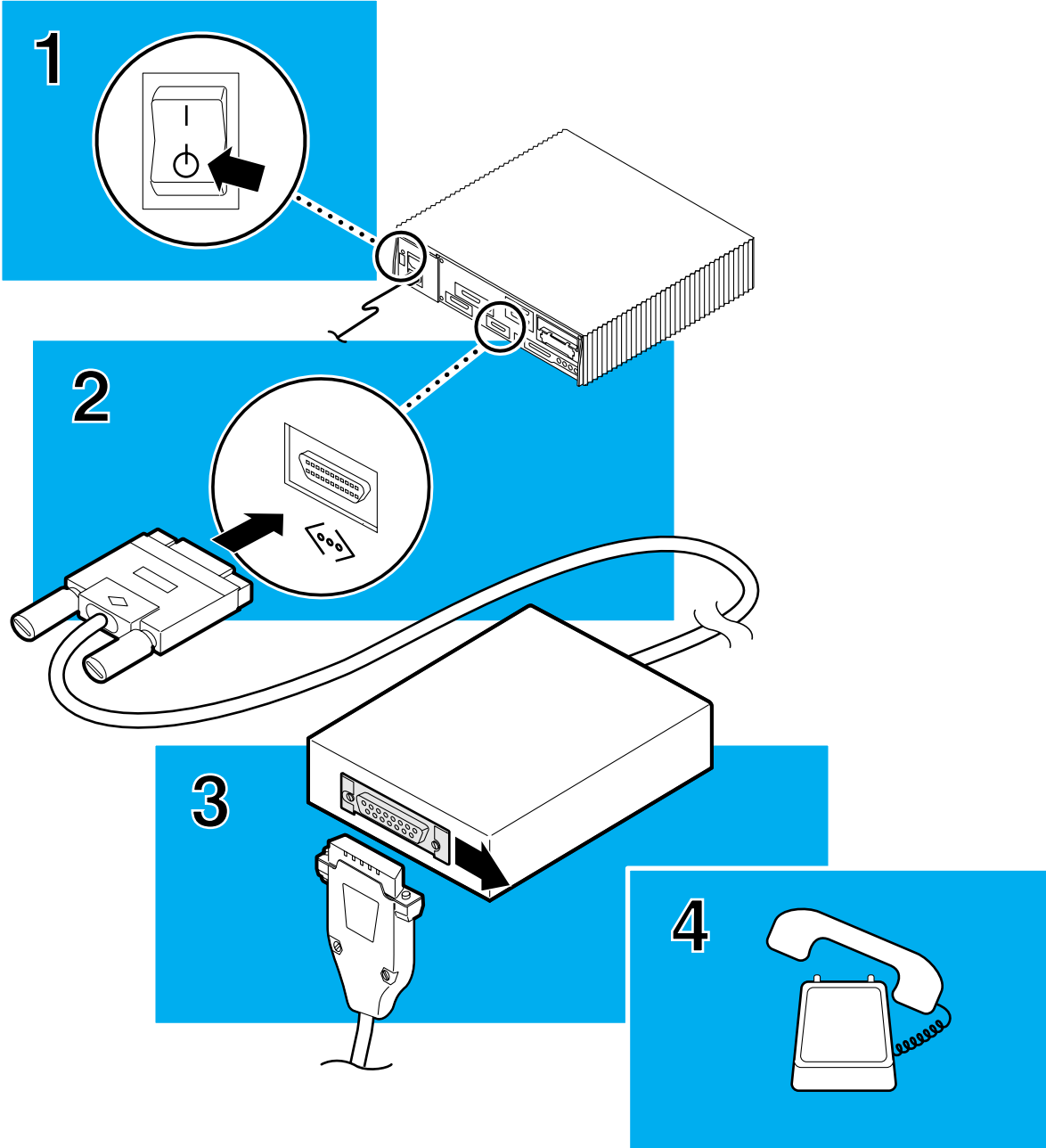
3. Enchufe el cable Ethernet de tipo grueso en el conversor MII-AUI. Deslice el bloqueo del conector para sujetar la conexión.
4. Compruebe que el administrador de su sistema haya definido su cuenta de usuario, dirección de red y nombre de dominio.

Collegamento di un cavo Thick Ethernet (AUI)

Nota — Collegare solo un cavo Ethernet al retro dell'unità centrale. Se è necessario l'accesso a due reti Ethernet, installare una scheda SBus Ethernet.

1. Premere sul lato stand-by (⏻) del pulsante di alimentazione.
2. Inserire il convertitore MII-AUI nel connettore MII posto sul retro dell'unità centrale.

3. Inserire il cavo Thick Ethernet nel convertitore MII-AUI. Per fissare il collegamento, far scorrere l'elemento di fissaggio sul connettore.
4. Verificare che l'amministratore del sistema abbia impostato il proprio account, indirizzo di rete e nome di dominio.



Installing the Lock Block

1. Use a Phillips screwdriver to install the lock block on the system unit back panel.
2. Pass a small-gauge locking cable, cable-and-lock, or chain-and-lock through the lock block holes. The maximum cable diameter for the lock block is 6 mm (3 AWG).
3. Lock the system unit to a piece of office furniture.

Note — You must remove the lock block to open the system unit.

Installation du système de verrouillage

1. Installez le système de verrouillage sur le panneau arrière de l'unité système à l'aide d'un tournevis cruciforme.
2. Faites passer par les trous du système de verrouillage un câble de verrouillage à fils fins ou un câble-chaîne. N'utilisez pas de câble ayant un diamètre de plus de 6 millimètres (3 AWG).
3. Fixez l'unité système à un meuble de bureau.

Remarque : vous devez ôter le système de verrouillage pour ouvrir l'unité système.

Instalación del elemento de bloqueo

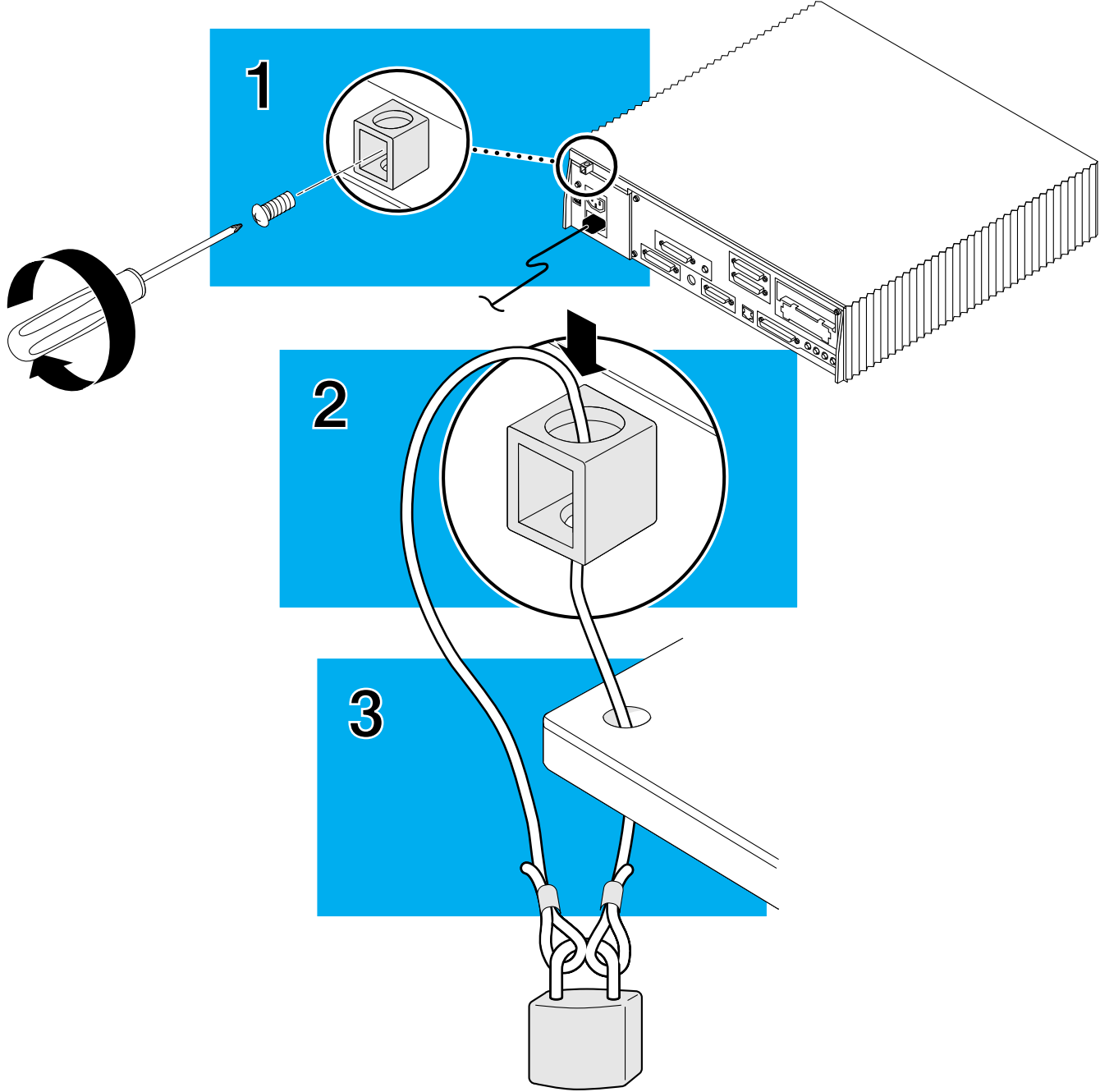
1. Utilice un destornillador de estrella para instalar el elemento de bloqueo en el panel trasero de la unidad del sistema.
2. Pase un cable de bloqueo de calibre pequeño, un cable con cerrojo o una cadena con cerrojo a través de los agujeros del elemento de bloqueo. El diámetro máximo del cable para el elemento de bloqueo es de 6 mm (3 AWG).
3. Fije la unidad del sistema a una pieza del mobiliario de la oficina.

Nota — Para abrir la unidad del sistema debe quitar el elemento de bloqueo.

Accesso protetto

1. Per installare l'antifurto sul retro dell'unità, servirsi di un cacciavite a croce.
2. Far passare attraverso i fori dell'antifurto un cavo di bloccaggio a sezione ridotta, un cavo con lucchetto, o una catena con lucchetto. Il cavo dell'antifurto deve avere un diametro massimo di 6 mm (3 AWG).
3. Bloccare l'unità centrale, fissandola ad un mobile.

Nota — Rimuovere l'antifurto per aprire l'unità centrale.



Using the CD-ROM Drive

1. Press the eject button to release the drive tray.

Note — If the drive tray does not eject, you may need to unmount the CD through the operating system. See your operating system documentation for details.

2. Place the disc (label side up) into the tray.

3. Push the tray back into the chassis. The tray closes automatically.

Refer to your software manuals for detailed information about how to mount and read the CD-ROM disc.

Utilisation du lecteur de CD-ROM

1. Appuyez sur le bouton d'éjection pour libérer le plateau du lecteur.

Remarque : si le plateau n'est pas éjecté, vous aurez peut-être à "démonter" le CD, via votre système d'exploitation. Reportez-vous à la documentation du système pour plus de détails.

2. Placez le disque (étiquette vers le haut) sur le plateau.

3. Poussez le plateau dans le châssis. Le plateau se referme automatiquement.

Pour plus d'informations concernant le montage et la lecture de votre disque compact, consultez les manuels du logiciel.

Utilización de la unidad de CD-ROM

1. Pulse el botón de expulsión para liberar la bandeja de la unidad.

Nota — Si la bandeja de la unidad no sale, puede ser necesario desmontar el CD a través del sistema operativo. Consulte la documentación del sistema operativo para obtener más detalles.

2. Coloque el disco (la cara de la etiqueta hacia arriba) en la bandeja.

3. Empuje la bandeja hacia el interior del chasis. La bandeja se cerrará automáticamente.

Consulte los manuales de software para obtener información detallada sobre cómo montar y leer discos CD-ROM.

Uso dell'unità CD-ROM

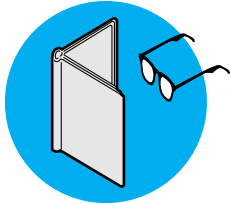
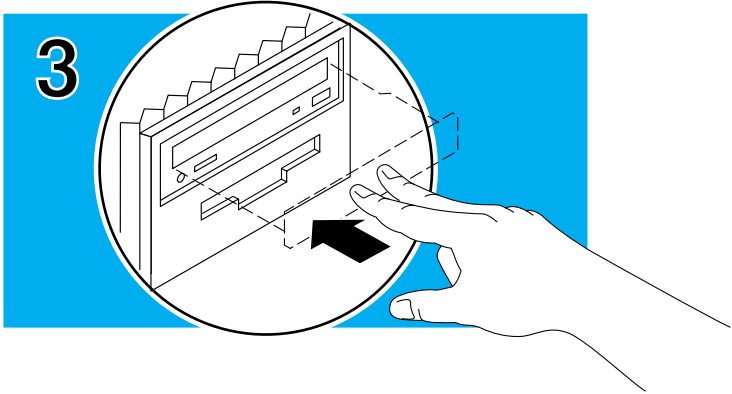
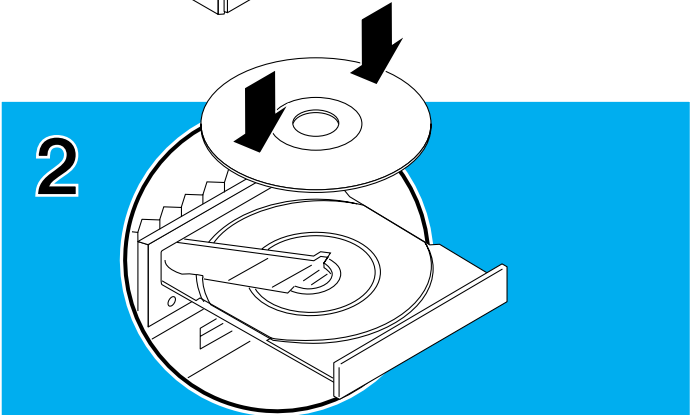
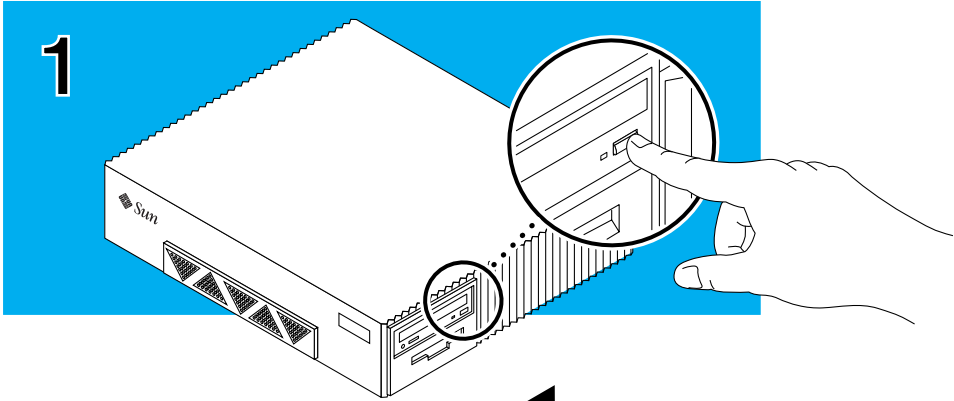
1. Premere il pulsante di estrazione per liberare il carrello dell'unità.

Nota — Se il carrello non viene estratto, sarà forse necessario 'smontare' il CD via il sistema operativo. Per informazioni più dettagliate, consultare la documentazione sul sistema operativo.

2. Porre il disco con l'etichetta rivolta verso l'alto nell'apposito carrello.

3. Spingere il carrello finché non scatta in posizione di chiusura automatica.

Per informazioni più dettagliate sul montaggio e la lettura del disco CD-ROM, consultare i manuali sul software.



What's Next

After you have installed all internal options and made modifications to the system, you are ready to have a system administrator install the Solaris software. See the *SMCC SPARC Hardware Platform Guide*.

After the software is installed (including the *Solaris on Sun Hardware AnswerBook*), install the *Sun Ultra 1 Hardware AnswerBook*.

For more information, refer to:

Sun Ultra 1 Creator Series Hardware Setup Instructions

Sun Ultra 1 Creator Series Product Notes

Sun Ultra 1 Creator Series Hardware AnswerBook Installation

SMCC SPARC Hardware Platform Guide

Solaris Handbook for SMCC Peripherals

Informations supplémentaires

Une fois que vous avez installé toutes les options internes et apporté les modifications nécessaires au système, le logiciel Solaris peut être installé par un administrateur système. Reportez-vous au *Guide de la plate-forme matérielle SPARC SMCC*.

Une fois le logiciel installé (y compris *Solaris on Sun Hardware AnswerBook*), installez *Sun Ultra 1 Hardware AnswerBook*.

Pour de plus amples informations, consultez la documentation ci-dessous :

Sun Ultra 1 Creator Series Hardware Setup Instructions

Sun Ultra 1 Creator Series Product Notes

Sun Ultra 1 Creator Series Hardware AnswerBook Installation

Guide de la plate-forme matérielle SPARC SMCC

Solaris Handbook for SMCC Peripherals

Qué hacer a continuación

Después de que haya instalado todas las opciones internas y realizado las modificaciones en el sistema, estará listo para que un administrador de sistemas instale el software de Solaris. Consulte el manual *SMCC SPARC Hardware Platform Guide*.

Una vez esté instalado el software (incluyendo *Solaris on Sun Hardware AnswerBook*), instale *Sun Ultra 1 Hardware AnswerBook*.

Para más información, consulte

Sun Ultra 1 Creator Series Hardware Setup Instructions

Sun Ultra 1 Creator Series Product Notes

Sun Ultra 1 Creator Series Hardware AnswerBook Installation

Guía para plataformas de hardware SPARC de SMCC

Solaris Handbook for SMCC Peripherals

Operazioni successive

Dopo avere installato tutte le opzioni interne ed effettuato tutte le modifiche sul sistema, si può chiedere all'amministratore del sistema di installare il software Solaris. Consultare *Guida alle piattaforme hardware SPARC SMMC*.

Dopo che il software è stato installato (compreso *Solaris on Sun Hardware AnswerBook*), installare *Sun Ultra 1 Hardware AnswerBook*.

Per maggiori informazioni, consultare:

Sun Ultra 1 Creator Series Hardware Setup Instructions

Sun Ultra 1 Creator Series Product Notes

Sun Ultra 1 Creator Series Hardware AnswerBook Installation

Guida alle piattaforme hardware SPARC SMCC

Solaris Handbook for SMCC Peripherals



Safety Agency Compliance

The following text provides safety precautions to follow when installing a Sun Microsystems, Inc. product.

Safety Precautions

For your protection, observe the following safety precautions when setting up your equipment:

- Follow all warnings and instructions marked on the equipment.
- Ensure that the voltage and frequency of your power source match the voltage and frequency inscribed on the equipment's electrical rating label.
- Never push objects of any kind through openings in the equipment. Dangerous voltages may be present. Conductive foreign objects could produce a short circuit that could cause fire, electric shock, or damage to your equipment.

Symbols

The following symbols appear in this book:



Caution – There is risk of personal injury and equipment damage. Follow the instructions.



Caution – Hot surface. Avoid contact. Surfaces are hot and may cause personal injury if touched.



Warning – Hazardous voltages are present. To reduce the risk of electric shock and danger to personal health, follow the instructions.

Modifications to Equipment

Do not make mechanical or electrical modifications to the equipment. Sun Microsystems, Inc. is not responsible for regulatory compliance of a modified Sun product.

Placement of a Sun Product



Caution – To ensure reliable operation of your Sun product and to protect it from overheating, openings in the equipment must not be blocked or covered. A Sun product should never be placed near a radiator or heat register.

European Ergonomics

In order to conform with the German ZH1/618 ergonomic standard, an antiglare treatment to the CRT has been provided. For text processing applications, a positive mode display (black characters on a white background) is required.

Power Cord Connection



Warning – Sun products are designed to work with single-phase power systems having a grounded neutral conductor. To reduce the risk of electric shock, do not plug Sun products into any other type of power system. Contact your facilities manager or a qualified electrician if you are not sure what type of power is supplied to your building.



Warning – Not all power cords have the same current ratings. Household extension cords do not have overload protection and are not meant for use with computer systems. Do not use household extension cords with your Sun product.



Warning – Your Sun product is shipped with a grounding type (three-wire) power cord. To reduce the risk of electric shock, always plug the cord into a grounded power outlet.



Warning – The power switch of this product functions as a standby type device only. The power cord serves as the primary disconnect device for the system. Be sure to plug the power cord into a grounded power outlet that is nearby the system and is readily accessible. Do not connect the power cord when the power supply has been removed from the system chassis.

Lithium Battery



Caution – On Sun CPU boards, there is a lithium battery molded into the real-time clock, SDS No. MK48T59Y, MK48TXXB-XX, MK48T18-XXXPCZ, or M48T59W-XXXPCZ. Batteries are not customer replaceable parts. They may explode if mistreated. Do not dispose of the battery in fire. Do not disassemble it or attempt to recharge it.

System Unit Cover

You must remove the cover of your Sun computer system unit in order to add cards, memory, or internal storage devices. Be sure to replace the top cover before powering up your computer system.



Caution – It is not safe to operate Sun products without the top cover in place. Failure to take this precaution may result in personal injury and system damage.

SELV Compliance

Safety status of I/O connections comply with SELV requirements.

Conformité aux normes de sécurité

Ce texte traite des mesures de sécurité qu'il convient de prendre pour l'installation d'un produit Sun Microsystems, Inc.

Mesures de sécurité

Pour votre protection, veuillez prendre les précautions suivantes pendant l'installation du matériel :

- Suivre tous les avertissements et toutes les instructions inscrites sur le matériel.
- Vérifier que la tension et la fréquence de la source d'alimentation électrique correspondent à la tension et à la fréquence indiquées sur l'étiquette de classification de l'appareil.
- Ne jamais introduire d'objets quels qu'ils soient dans une des ouvertures de l'appareil. Vous pourriez vous trouver en présence de hautes tensions dangereuses. Tout objet conducteur introduit de la sorte pourrait produire un court-circuit qui entraînerait des flammes, des risques d'électrocution ou des dégâts matériels.

Symboles

Vous trouverez ci-dessous la signification des différents symboles utilisés :



Attention : risques de blessures corporelles et de dégâts matériels. Veuillez suivre les instructions.



Attention : surface à température élevée. Evitez le contact. La température des surfaces est élevée et leur contact peut provoquer des blessures corporelles.



Danger : présence de tensions dangereuses. Pour éviter les risques d'électrocution et de danger pour la santé physique, veuillez suivre les instructions.

Modification du matériel

Ne pas apporter de modification mécanique ou électrique au matériel. Sun Microsystems, Inc. n'est pas responsable de la conformité réglementaire d'un produit Sun qui a été modifié.

Positionnement d'un produit Sun



Attention : pour assurer le bon fonctionnement de votre produit Sun et pour l'empêcher de surchauffer, il convient de ne pas obstruer ni recouvrir les ouvertures prévues dans l'appareil. Un produit Sun ne doit jamais être placé à proximité d'un radiateur ou d'une source de chaleur.

Ergonomie européenne

Conformément à la norme d'ergonomie allemande ZH1/618, le CRT a été soumis à un traitement antireflets. Pour le traitement de texte, un affichage en mode positif (c'est-à-dire des caractères noirs sur fond blanc) est nécessaire.

Conformité SELV

Sécurité : les raccordements E/S sont conformes aux normes SELV.

Connexion du cordon d'alimentation



Danger : les produits Sun sont conçus pour fonctionner avec des alimentations monophasées munies d'un conducteur neutre mis à la terre. Pour écarter les risques d'électrocution, ne pas brancher de produit Sun dans un autre type d'alimentation secteur. En cas de doute quant au type d'alimentation électrique du local, veuillez vous adresser au directeur de l'exploitation ou à un électricien qualifié.



Danger : tous les cordons d'alimentation n'ont pas forcément la même puissance nominale en matière de courant. Les rallonges d'usage domestique n'offrent pas de protection contre les surcharges et ne sont pas prévues pour les systèmes d'ordinateurs. Ne pas utiliser de rallonge d'usage domestique avec votre produit Sun.



Danger : votre produit Sun a été livré équipé d'un cordon d'alimentation à trois fils (avec prise de terre). Pour écarter tout risque d'électrocution, branchez toujours ce cordon dans une prise mise à la terre.



Danger : le commutateur d'alimentation de ce produit fonctionne comme un dispositif de mise en veille uniquement. C'est la prise d'alimentation qui sert à mettre le produit hors tension. Veuillez donc à installer le produit à proximité d'une prise murale facilement accessible. Ne connectez pas la prise d'alimentation lorsque le châssis du système n'est plus alimenté.

Batterie au lithium



Attention : sur les cartes CPU Sun, une batterie au lithium (référence MK48T59Y, MK48TXXB-XX, MK48T18-XXXPCZ, ou M48T59W-XXXPCZ.) a été moulée dans l'horloge temps réel SGS. Les batteries ne sont pas des pièces remplaçables par le client. Elles risquent d'exploser en cas de mauvais traitement. Ne pas jeter la batterie au feu. Ne pas la démonter ni tenter de la recharger.

Couvercle

Pour ajouter des cartes, de la mémoire, ou des unités de stockage internes, vous devrez démonter le couvercle de l'unité système Sun. Ne pas oublier de remettre ce couvercle en place avant de mettre le système sous tension.



Attention : il est dangereux de faire fonctionner un produit Sun sans le couvercle en place. Si l'on néglige cette précaution, on encourt des risques de blessures corporelles et de dégâts matériels.



Normativas de seguridad

El siguiente texto incluye las medidas de seguridad que se deben seguir cuando se instale algún producto de Sun Microsystems, Inc.

Precauciones de seguridad

Para su protección observe las siguientes medidas de seguridad cuando manipule su equipo:

- Siga todas las avisos e instrucciones marcados en el equipo.
- Asegúrese de que el voltaje y la frecuencia de la red eléctrica concuerdan con las descritas en las etiquetas de especificaciones eléctricas del equipo.
- No introduzca nunca objetos de ningún tipo a través de los orificios del equipo. Pueden haber voltajes peligrosos. Los objetos extraños conductores de la electricidad pueden producir cortocircuitos que provoquen un incendio, descargas eléctricas o daños en el equipo.

Símbolos

En este libro aparecen los siguientes símbolos:



Precaución – Existe el riesgo de lesiones personales y daños al equipo. Siga las instrucciones.



Precaución – Superficie caliente. Evite el contacto. Las superficies están calientes y pueden causar daños personales si se tocan.



Aviso – Voltaje peligroso presente. Para reducir el riesgo de descarga y daños para la salud siga las instrucciones.

Modificaciones en el equipo

No realice modificaciones de tipo mecánico o eléctrico en el equipo. Sun Microsystems, Inc. no se hace responsable del cumplimiento de las normativas de seguridad en los equipos Sun modificados.

Ubicación de un producto Sun



Precaución – Para asegurar la fiabilidad de funcionamiento de su producto Sun y para protegerlo de sobrecalentamientos no deben obstruirse o taparse las rejillas del equipo. Los productos Sun nunca deben situarse cerca de radiadores o de fuentes de calor.

Normativa ergonómica europea

Para cumplir con el estándar de ergonomía alemán ZH1/618, se ha dotado a la pantalla con un tratamiento antireflectante. Para las aplicaciones de tratamiento de textos, se precisa un modo de visualización positivo (caracteres negros sobre fondo blanco).

Cumplimiento de la normativa SELV

El estado de la seguridad de las conexiones de entrada/salida cumple los requisitos de la normativa SELV.

Conexión del cable de alimentación eléctrica



Aviso – Los productos Sun están diseñados para trabajar en una red eléctrica monofásica con toma de tierra. Para reducir el riesgo de descarga eléctrica, no conecte los productos Sun a otro tipo de sistema de alimentación eléctrica. Póngase en contacto con el responsable de mantenimiento o con un electricista cualificado si no está seguro del sistema de alimentación eléctrica del que se dispone en su edificio.



Aviso – No todos los cables de alimentación eléctrica tienen la misma capacidad. Los cables de tipo doméstico no están provistos de protecciones contra sobrecargas y por tanto no son apropiados para su uso con computadores. No utilice alargadores de tipo doméstico para conectar sus productos Sun.



Aviso – Con el producto Sun se proporciona un cable de alimentación con toma de tierra. Para reducir el riesgo de descargas eléctricas conéctelo siempre a un enchufe con toma de tierra.



Aviso – El interruptor de encendido de este producto funciona exclusivamente como un dispositivo de puesta en espera. El enchufe de la fuente de alimentación está diseñado para ser el elemento primario de desconexión del equipo. El equipo debe instalarse cerca del enchufe de forma que este último pueda ser fácil y rápidamente accesible. No conecte el cable de alimentación cuando se ha retirado la fuente de alimentación del chasis del sistema.

Batería de litio



Precaución – En las placas de CPU Sun hay una batería de litio insertada en el reloj de tiempo real, tipo SGS Núm. MK48T59Y, MK48TXXB-XX, MK48T18-XXXPCZ, o M48T59W-XXXPCZ.. Las baterías no son elementos reemplazables por el propio cliente. Pueden explotar si se manipulan de forma errónea. No arroje las baterías al fuego. No las abra o intente recargarlas.

Tapa de la unidad del sistema

Debe quitar la tapa del sistema cuando sea necesario añadir tarjetas, memoria o dispositivos de almacenamiento internos. Asegúrese de cerrar la tapa superior antes de volver a encender el equipo.



Precaución – Es peligroso hacer funcionar los productos Sun sin la tapa superior colocada. El hecho de no tener en cuenta esta precaución puede ocasionar daños personales o perjudicar el funcionamiento del equipo.

Conformità alle norme di sicurezza

Il testo che segue riporta le norme di sicurezza da seguire nell'installazione dei prodotti Sun Microsystems, Inc.

Norme di sicurezza

Per la propria sicurezza, osservare le seguenti norme nell'installare il materiale.

- Rispettare tutte le avvertenze e le istruzioni indicate.
- Accertarsi che la tensione e la frequenza dell'alimentazione di rete in uso siano adatte a quelle indicate sulle etichette delle caratteristiche elettriche del materiale.
- Non introdurre oggetti di nessun tipo nelle eventuali fessure, poiché potrebbero essere presenti tensioni pericolose. Oggetti estranei potrebbero produrre cortocircuito, con rischio di incendio, scossa elettrica e danni al sistema.

Simboli

In questo manuale appaiono i seguenti simboli:



Attenzione - Indica un rischio di danni fisici e materiali. Seguire le istruzioni.



Avvertenza - Sono presenti tensioni pericolose. Per evitare scosse elettriche e per la propria incolumità, seguire le istruzioni.



Attenzione - Superficie ad alta temperatura. Evitare il contatto. Le superficie sono calde e possono causare danni fisici in caso di contatto.

Modifiche al prodotto

Non effettuare modifiche meccaniche o elettriche sul prodotto. Sun Microsystems non garantisce la conformità alle norme di prodotti modificati.

Installazione di un prodotto Sun



Attenzione - Per garantire un corretto funzionamento del prodotto Sun, evitare di bloccare o coprire le aperture del sistema. Non porre mai un prodotto Sun vicino a radiatori o altre fonti di calore.

Standard ergonomici europei

Lo schermo ha subito un trattamento antiriflesso per renderlo conforme allo standard ergonomico tedesco ZH1/618. Per applicazioni di elaborazione testi è richiesto un display a modalità positiva (caratteri neri su fondo bianco).

Collegamento del cavo di alimentazione



Avvertenza - I prodotti Sun sono progettati per sistemi di alimentazione monofase con un conduttore neutro collegato a terra. Per ridurre il rischio di scosse elettriche, non collegare i prodotti Sun ad altri sistemi di alimentazione. Se non si è sicuri del tipo di sistema di alimentazione in uso, rivolgersi al responsabile della manutenzione o ad un elettricista qualificato.



Avvertenza - Non tutti i cavi di alimentazione hanno la stessa corrente nominale. Evitare l'uso di prolunghe di tipo domestico con i prodotti Sun in quanto non sono protette dal sovraccarico e non ne è previsto l'uso con i computer.



Avvertenza - L'apparecchio Sun viene fornito con un cavo di alimentazione provvisto di collegamento a terra (a 3 fili). Per ridurre il rischio di scosse elettriche, collegare il cavo ad una presa a terra.



Avvertenza - L'interruttore di alimentazione del sistema funziona solo come dispositivo di tipo stand-by. La presa di corrente deve essere utilizzata solo come dispositivo di sconnessione primaria. Accertarsi di collegare il cavo di alimentazione ad una presa a terra vicina al sistema in modo che sia di facile accesso. Non collegare il cavo di alimentazione se l'alimentatore è stato rimosso dal sistema.

Batteria al litio



Attenzione - Sulle schede CPU Sun, è montata una batteria al litio integrata all'RTC, SGS n. MK48T59Y, MK48TXXB-XX, MK48T18-XXXPCZ, o M48T59W-XXXPCZ. Le batterie non sono sostituibili dall'utente e, se maneggiate impropriamente, possono esplodere. Non gettare le batterie nel fuoco, non smontarle, né ricaricarle.

Coperchio dell'unità centrale

Per aggiungere schede, memoria o dispositivi di memoria di massa interni, è necessario togliere il coperchio dell'unità centrale. Rimontare il coperchio prima di rimettere il sistema sotto tensione.



Attenzione - Non utilizzare i prodotti Sun senza il coperchio superiore per evitare danni fisici e materiali.

Conformità alle norme SELV

Le condizioni di sicurezza delle connessioni I/O devono essere conformi ai requisiti SELV.



© 1996 Sun Microsystems, Inc.
2550 Garcia Avenue, Mountain View, California 94043-1100 U.S.A.
Distribué par Sun Microsystems France S.A,
A Sun Microsystems Computer Corporation Business,
13, avenue Morane Saulnier, B.P. 53, 78142 Vélizy Cedex, France

Tous droits réservés. Ce produit et la documentation associée sont protégés par copyright et distribués sous des licences limitant leur utilisation, leur copie, leur distribution et leur décompilation. Aucune partie de ce produit ou de la documentation associée ne peut être reproduite sous quelque forme que ce soit et par quelque moyen que ce soit sans l'autorisation écrite préalable de Sun et des titulaires de licences, le cas échéant.

Des parties de ce produit peuvent être dérivées des systèmes UNIX® et Berkeley 4.3 BSD distribués sous licence respectivement par UNIX System Laboratories, Inc., filiale à 100% de Novell, Inc., et par l'Université de Californie. Des logiciels de polices de caractères de sociétés indépendantes faisant partie de ce produit ont un copyright et sont distribués sous licence par des fournisseurs de Sun.

RESTRICTED RIGHTS LEGEND: Use, duplication, or disclosure by the United States Government is subject to the restrictions set forth in DFARS 252.227-7013 (c)(1)(ii) and FAR 52.227-19.

Le produit décrit dans ce manuel peut être protégé par un ou plusieurs brevets américains et étrangers ou par des applications en cours d'homologation.

MARQUES DEPOSEES

Sun, le logo Sun, Sun Microsystems, Solaris et SunOS sont des marques commerciales ou des marques déposées de Sun Microsystems, Inc. aux Etats-Unis et dans d'autres pays. Tous les autres noms de produits mentionnés dans ce document sont des marques déposées de leurs propriétaires respectifs.

Toutes les marques SPARC, y compris le logo SCD Compliant, sont des marques commerciales ou des marques déposées de SPARC International, Inc. SPARCstation, SPARCserver, SPARCprinter, SPARCengine, SPARCworks, SPARCcompiler et microSPARC sont des marques dont la licence exclusive a été octroyée à Sun Microsystems, Inc. Les produits portant la marque SPARC reposent sur une architecture développée par Sun Microsystems, Inc.

CETTE PUBLICATION EST FOURNIE "EN LETAT" SANS GARANTIE D'AUCUNE SORTE, EXPLICITE OU IMPLICITE, Y COMPRIS, MAIS SANS SE LIMITER AUX GARANTIES IMPLICITES DE COMMERCIALISABILITE OU DE CONFORMITE A UN USAGE SPECIFIQUE OU DE NON-TRANSGRESSION.

CETTE PUBLICATION PEUT COMPORTER DES IMPRECISIONS TECHNIQUES ET DES ERREURS TYPOGRAPHIQUES. DES MODIFICATIONS SONT APPORTEES PERIODIQUEMENT AUX INFORMATIONS CI-APRES ; CES MODIFICATIONS SERONT INCORPOREES DANS LES EDITIONS ULTERIEURES DE CETTE PUBLICATION. SUN MICROSYSTEMS, INC SE RESERVE A TOUT MOMENT LE DROIT DE MODIFIER ET/OU D'AMELIORER LE(S) PRODUIT(S) ET/OU PROGRAMME(S) DECRITS DANS CETTE PUBLICATION.

© 1996 Sun Microsystems, Inc.
2550 Garcia Avenue, Mountain View, California 94043-1100 U.S.A.

Todos los derechos reservados. Este producto y su documentación relacionada están protegidos por copyright y distribuidos bajo licencias que restringen su uso, copia, distribución y descompilación. Queda prohibida la reproducción total o parcial de la documentación por ninguna forma o medio sin autorización previa por escrito de Sun y sus licenciarios si los hubiera.

Algunas partes de este producto pueden derivar de los sistemas UNIX® y Berkeley 4.3 BSD bajo licencia de UNIX System Laboratories, Inc., filial de Novell Inc. y la University of California respectivamente. El software de tipos de letra de terceras partes incluido en este producto está protegido por derechos de autor y se usa bajo licencia de los proveedores de fuentes de Sun.

RESTRICTED RIGHTS LEGEND: Use, duplication, or disclosure by the United States Government is subject to the restrictions set forth in DFARS 252.227-7013 (c)(1)(ii) and FAR 52.227-19.

El producto descrito en este manual puede estar protegido por una o más patentes de los EE.UU., patentes extranjeras o solicitudes de patentes pendientes.

MARCAS COMERCIALES

Sun, el logotipo de Sun, Sun Microsystems, Solaris y SunOS son marcas comerciales o marcas comerciales registradas de Sun Microsystems, Inc. en los EE.UU. y otros países. Todos los demás nombres de productos mencionados son marcas comerciales de sus respectivos propietarios.

Todas las marcas comerciales SPARC, incluyendo el logotipo SCD Compliant, son marcas comerciales o marcas comerciales registradas de SPARC International, Inc. SPARCstation, SPARCserver, SPARCprinter, SPARCengine, SPARCworks, SPARCcompiler y microSPARC están licenciadas exclusivamente a Sun Microsystems, Inc. Los productos que muestran las marcas comerciales SPARC se basan en una arquitectura desarrollada por Sun Microsystems, Inc.

ESTA PUBLICACIÓN SE ENTREGA "TAL CUAL" SIN GARANTÍA DE NINGUNA CLASE, YA SEA EXPRESA O IMPLÍCITA, INCLUYENDO PERO NO LIMITÁNDOSE A LAS GARANTÍAS IMPLÍCITAS DE COMERCIALIZACIÓN, ADECUACIÓN A UN PROPÓSITO PARTICULAR, O DE NO INFRINGIMIENTO.

ESTA PUBLICACIÓN PODRÍA CONTENER IMPRECISIONES TÉCNICAS O ERRORES TIPOGRÁFICOS. PERIÓDICAMENTE SE AÑADEN CAMBIOS A LA INFORMACIÓN AQUÍ CONTENIDA. ESTOS CAMBIOS SE INCORPORARÁN EN NUEVAS EDICIONES DE LA PUBLICACIÓN. SUN MICROSYSTEMS, INC. PUEDE REALIZAR MEJORAS Y/O CAMBIOS EN EL PRODUCTO O PRODUCTOS Y/O EN EL PROGRAMA O PROGRAMAS DESCRITOS EN ESTA PUBLICACIÓN EN CUALQUIER MOMENTO.



© 1996 Sun Microsystems, Inc.
2550 Garcia Avenue, Mountain View, California 94043-1100
U.S.A. Sun Microsystems Italia S.p.A. Centro Direzionale Colleoni,
Palazzo Andromeda 1, via Paracelso 16 - 20041 Agrate Brianza - Mi-
lano

Tutti i diritti riservati. Questo prodotto e la relativa documentazione sono protetti da copyright e sono distribuiti sotto licenze che ne limitano l'uso, la copia, la distribuzione e la decompilazione. Nessuna parte di questo prodotto o documento può essere riprodotta in qualunque forma o con qualunque mezzo, senza la previa autorizzazione scritta del titolare e dei suoi eventuali concessionari di licenza.

Parti di questo prodotto possono essere derivate dai sistemi UNIX® e Berkeley 4.3 BSD, concessi in licenza rispettivamente da UNIX Systems Laboratories, Inc., una filiale di Novell, Inc. e dalla University of California. Il software di font di parti terze di questo prodotto è protetto da copyright ed è distribuito sotto licenza dai fornitori di font di Sun.

I prodotti descritti in questo manuale possono essere protetti da uno o più brevetti o domande di brevetto statunitensi o internazionali.

MARCHI REGISTRATI

Sun, il logo Sun, Sun Microsystems, Solaris e SunOS sono marchi o marchi registrati da Sun Microsystems, Inc. negli Stati Uniti ed altri paesi. UNIX è un marchio registrato negli Stati Uniti e in altri paesi. Sono fatti salvi i diritti dei legittimi depositari di marchi e dei marchi registrati riportati.

Tutti i marchi SPARC, compreso il logo di conformità SCD, sono marchi o marchi registrati di SPARC International, Inc. SPARCstation, SPARCserver, SPARCprinter, SPARCengine, SPARCworks, SPARCcompiler, and microSPARC sono concessi in licenza esclusiva a Sun Microsystems, Inc. I prodotti che recano i marchi registrati SPARC sono basati su un'architettura sviluppata da Sun Microsystems, Inc..

QUESTA PUBBLICAZIONE VIENE FORNITA SENZA GARANZIE DI ALCUN TIPO, NÉ ESPLICITE NÉ IMPLICITE, INCLUSE, MA SENZA LIMITAZIONE, LE GARANZIE IMPLICITE DI COMMERCIALIZZABILITÀ, IDONEITÀ AD UN DETERMINATO SCOPO, O NON VIOLAZIONE.

QUESTA PUBBLICAZIONE POTREBBE CONTENERE IMPRECISIONI TECNICHE O ERRORI TIPOGRAFICI. LE INFORMAZIONI QUI CONTENUTE VENGONO PERIODICAMENTE AGGIORNATE; LE EVENTUALI MODIFICHE VERRANNO INCORPORATE NELLE NUOVE EDIZIONI DEL DOCUMENTO. SUN MICROSYSTEMS, INC. SI RISERVA IL DIRITTO DI APPORTARE MODIFICHE E/O VARIAZIONI AI PRODOTTI E/O AI PROGRAMMI DESCRITTI IN QUESTO DOCUMENTO SENZA OBBLIGO DI PREAVVISO.