



# Sun Fire™ V445 Server 2-Post Rackmounting Guide

---

Sun Microsystems, Inc.  
www.sun.com

Part No. 820-0096-10  
February 2007, Revision 01

Submit comments about this document at: <http://www.sun.com/hwdocs/feedback>

Copyright 2007 Sun Microsystems, Inc., 4150 Network Circle, Santa Clara, California 95054, U.S.A. All rights reserved.

Sun Microsystems, Inc. has intellectual property rights relating to technology that is described in this document. In particular, and without limitation, these intellectual property rights may include one or more of the U.S. patents listed at <http://www.sun.com/patents> and one or more additional patents or pending patent applications in the U.S. and in other countries.

This document and the product to which it pertains are distributed under licenses restricting their use, copying, distribution, and decompilation. No part of the product or of this document may be reproduced in any form by any means without prior written authorization of Sun and its licensors, if any.

Third-party software, including font technology, is copyrighted and licensed from Sun suppliers.

Parts of the product may be derived from Berkeley BSD systems, licensed from the University of California. UNIX is a registered trademark in the U.S. and in other countries, exclusively licensed through X/Open Company, Ltd.

Sun, Sun Microsystems, the Sun logo, Java, AnswerBook2, docs.sun.com, SunSolve Online, Sun Fire, and Solaris are trademarks or registered trademarks of Sun Microsystems, Inc. in the U.S. and in other countries.

All SPARC trademarks are used under license and are trademarks or registered trademarks of SPARC International, Inc. in the U.S. and in other countries. Products bearing SPARC trademarks are based upon an architecture developed by Sun Microsystems, Inc.

The OPEN LOOK and Sun™ Graphical User Interface was developed by Sun Microsystems, Inc. for its users and licensees. Sun acknowledges the pioneering efforts of Xerox in researching and developing the concept of visual or graphical user interfaces for the computer industry. Sun holds a non-exclusive license from Xerox to the Xerox Graphical User Interface, which license also covers Sun's licensees who implement OPEN LOOK GUIs and otherwise comply with Sun's written license agreements.

U.S. Government Rights—Commercial use. Government users are subject to the Sun Microsystems, Inc. standard license agreement and applicable provisions of the FAR and its supplements.

DOCUMENTATION IS PROVIDED "AS IS" AND ALL EXPRESS OR IMPLIED CONDITIONS, REPRESENTATIONS AND WARRANTIES, INCLUDING ANY IMPLIED WARRANTY OF MERCHANTABILITY, FITNESS FOR A PARTICULAR PURPOSE OR NON-INFRINGEMENT, ARE DISCLAIMED, EXCEPT TO THE EXTENT THAT SUCH DISCLAIMERS ARE HELD TO BE LEGALLY INVALID.

---

Copyright 2007 Sun Microsystems, Inc., 4150 Network Circle, Santa Clara, Californie 95054, États-Unis. Tous droits réservés.

Sun Microsystems, Inc. possède les droits de propriété intellectuels relatifs à la technologie décrite dans ce document. En particulier, et sans limitation, ces droits de propriété intellectuels peuvent inclure un ou plusieurs brevets américains listés sur le site <http://www.sun.com/patents>, un ou les plusieurs brevets supplémentaires ainsi que les demandes de brevet en attente aux les États-Unis et dans d'autres pays.

Ce document et le produit auquel il se rapporte sont protégés par un copyright et distribués sous licences, celles-ci en restreignent l'utilisation, la copie, la distribution, et la décompilation. Aucune partie de ce produit ou document ne peut être reproduite sous aucune forme, par quelque moyen que ce soit, sans l'autorisation préalable et écrite de Sun et de ses bailleurs de licence, s'il y en a.

Tout logiciel tiers, sa technologie relative aux polices de caractères, comprise, est protégé par un copyright et licencié par des fournisseurs de Sun.

Des parties de ce produit peuvent dériver des systèmes Berkeley BSD licenciés par l'Université de Californie. UNIX est une marque déposée aux États-Unis et dans d'autres pays, licenciée exclusivement par X/Open Company, Ltd.

Sun, Sun Microsystems, le logo Sun, Java, AnswerBook2, docs.sun.com, SunSolve Online, Sun Fire, et Solaris sont des marques de fabrique ou des marques déposées de Sun Microsystems, Inc. aux États-Unis et dans d'autres pays.

Toutes les marques SPARC sont utilisées sous licence et sont des marques de fabrique ou des marques déposées de SPARC International, Inc. aux États-Unis et dans d'autres pays. Les produits portant les marques SPARC sont basés sur une architecture développée par Sun Microsystems, Inc.

L'interface utilisateur graphique OPEN LOOK et Sun™ a été développée par Sun Microsystems, Inc. pour ses utilisateurs et licenciés. Sun reconnaît les efforts de pionniers de Xerox dans la recherche et le développement du concept des interfaces utilisateur visuelles ou graphiques pour l'industrie informatique. Sun détient une licence non exclusive de Xerox sur l'interface utilisateur graphique Xerox, cette licence couvrant également les licenciés de Sun implémentant les interfaces utilisateur graphiques OPEN LOOK et se conforment en outre aux licences écrites de Sun.

LA DOCUMENTATION EST FOURNIE "EN L'ÉTAT" ET TOUTES AUTRES CONDITIONS, DÉCLARATIONS ET GARANTIES EXPRESSES OU TACITES SONT FORMELLEMENT EXCLUES DANS LA LIMITE DE LA LOI APPLICABLE, Y COMPRIS NOTAMMENT TOUTE GARANTIE IMPLICITE RELATIVE À LA QUALITÉ MARCHANDE, À L'APTITUDE À UNE UTILISATION PARTICULIÈRE OU À L'ABSENCE DE CONTREFAÇON.



# Preface

---

The *Sun Fire V445 Server 2-Post Rackmounting Guide* provides instructions on how to install a Sun Fire™ V445 server into a 2-post rack. After completing installation of the server into a 2-post rack, however, you must use the *Sun Fire V445 Server Installation Guide* to complete server installation.

---

## How This Book Is Organized

This guide consists of a single chapter providing instructions on how to install a Sun Fire™ V445 server into a 2-post rack.

---

# Related Documentation

The documents listed as online are available at:

<http://www.sun.com/products-n-solutions/hardware/docs/>

Application	Title	Part Number	Format	Location
Late-breaking product information	<i>Sun Fire V445 Server Product Notes</i>	819-3744	PDF	Online
Installation overview	<i>Sun Fire V445 Server Getting Started Guide</i>	819-4664	Printed	Shipping kit
			PDF	Online
Installation	<i>Sun Fire V445 Server Installation Guide</i>	819-3743	PDF	Online
Service	<i>Sun Fire V445 Server Service Manual</i>	819-3742	PDF	Online
Site planning	<i>Site Planning Guide for Sun Servers</i>	819-5730	PDF	Online
Site planning data sheet	<i>Sun Fire V445 Server Site Planning Guide</i>	819-3745	Printed	Shipping kit
			PDF	Online
Sun Advanced Lights Out Manager (ALOM) system controller	<i>Sun Advanced Lights Out Manager (ALOM) 1.6 Online Help</i>	817-1960	PDF	Online

---

# Documentation, Support, and Training

---

Sun Function	URL
Documentation	<a href="http://www.sun.com/documentation/">http://www.sun.com/documentation/</a>
Support	<a href="http://www.sun.com/support/">http://www.sun.com/support/</a>
Training	<a href="http://www.sun.com/training/">http://www.sun.com/training/</a>

---

---

## Sun Welcomes Your Comments

Sun is interested in improving its documentation and welcomes your comments and suggestions. You can submit your comments by going to:

<http://www.sun.com/hwdocs/feedback>

Please include the title and part number of your document with your feedback:

*Sun Fire V445 Server 2-Post Rackmounting Guide*, part number 820-0096-10

# Installing a Sun Fire V445 Server Into a 2-Post Rack

---

This guide provides step-by-step instructions for installing a Sun Fire V445 server into a 2-post rack.

---

**Note** – When a Sun Fire V445 server is installed into a 2-post rack, only the disk drives and power supplies are serviceable in the rack. You need to remove the server from the rack to service any other component. See the *Sun Fire V445 Service Manual* for more information.

---

This guide contains the following procedures and information:

- [“Checklist of 2-Post Rackmounting and Setup Tasks” on page 5](#)
- [“Inventory for 2-Post Rackmounting” on page 6](#)
- [“Locate the Mounting Holes” on page 8](#)
- [“Install the Mounting Screws” on page 9](#)
- [“Install the Server Into the Rack” on page 10](#)
- [“Install the Server Into a Populated Rack” on page 11](#)
- [“What Next” on page 12](#)

---

# Checklist of 2-Post Rackmounting and Setup Tasks

TABLE 0-1 Overview of 2-Post Rackmounting and Setup Steps

Step	Task	Refer To
1	Unpack the rackmounting kit and verify the contents.	<a href="#">“Inventory for 2-Post Rackmounting” on page 6</a>
2	Attach the brackets to the server.	<a href="#">“Attach the Mounting Brackets to the Chassis” on page 7</a>
3	Locate the mounting holes.	<a href="#">“Locate the Mounting Holes” on page 8</a>
4	Install the mounting screws.	<a href="#">“Install the Mounting Screws” on page 9</a>
5	Install the server into the rack.	<a href="#">“Install the Server Into the Rack” on page 10</a>

If you are installing the server into a *populated* rack, see the section, [“Install the Server Into a Populated Rack” on page 11](#).

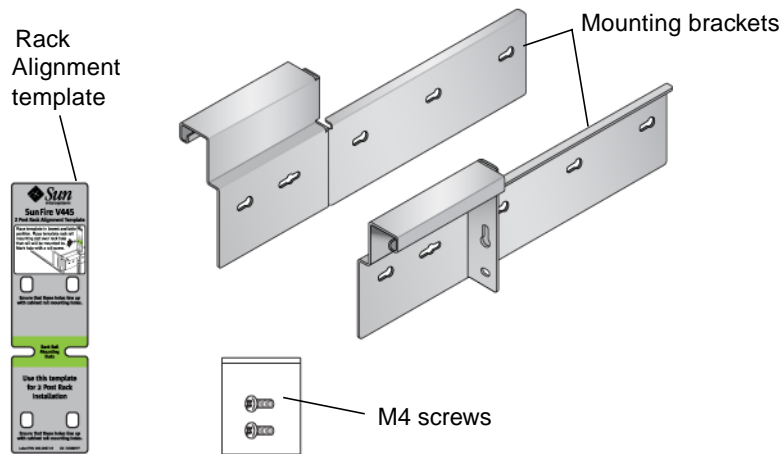
After completing the tasks in this guide, you are ready to connect cables and cords and then power on the server. For those instructions, turn to the *Sun Fire V445 Server Installation Guide*. Begin with the section, “Connecting the Cords and Cables” in Chapter 2.

---

# Inventory for 2-Post Rackmounting

You need one 2-post rackmounting kit for each Sun Fire V445 server you intend to install into a rack. You also need the Rack Alignment template from the shipping carton and the *Sun Fire V445 Server 2-Post Rackmounting Guide* (819-3743) available on the web at: <http://www.sun.com/documentation>.

The 2-post rackmounting kit contains two mounting brackets, a rack alignment template, and two M4 screws used to attach the mounting brackets to the server. You provide the six screws used to attach the server to the rack.



## Tools Required

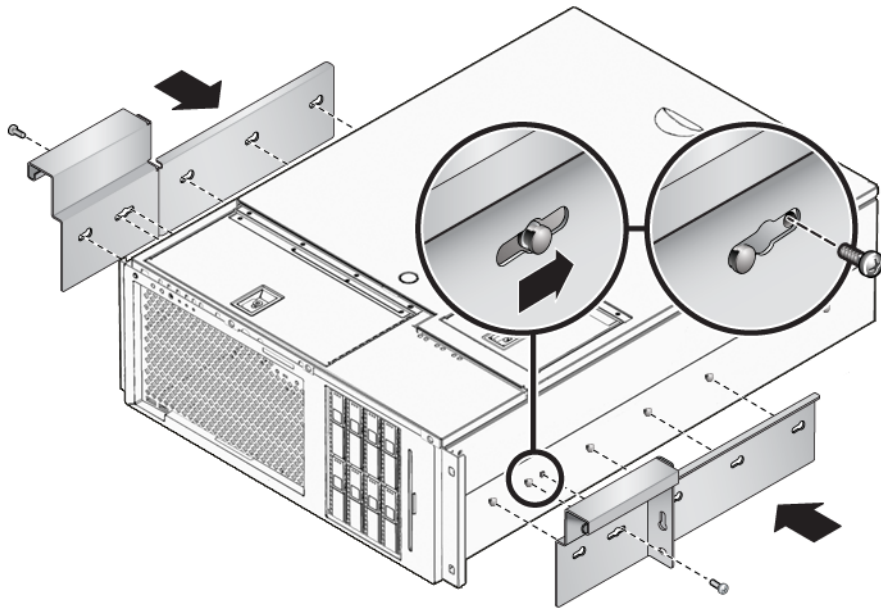
- Screwdriver, long, Phillips No. 2
- Six mounting screws, appropriate for your rack



---

## Attach the Mounting Brackets to the Chassis

- Using one M4 screw for each bracket, attach the mounting brackets to the chassis.



---

# Locate the Mounting Holes

- Use the Rack Alignment template to locate and mark the holes for the mounting screws on each vertical rack rail. Allow four rack unit spaces (7.0 inches/17.8 cm) per server.

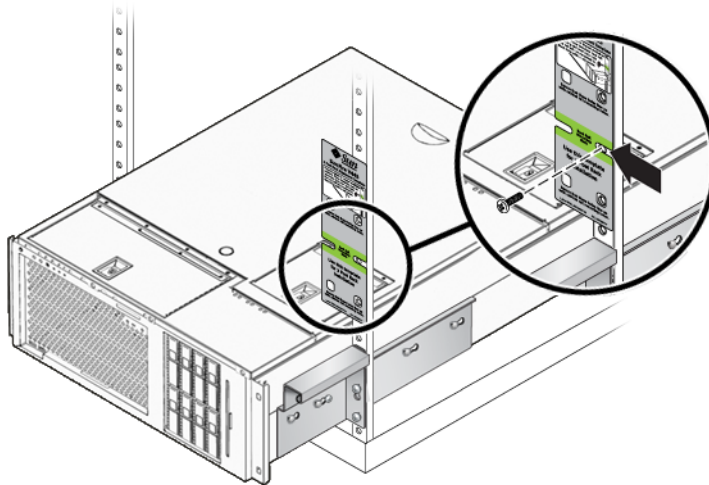
---

**Note** – If you are installing the server directly under another component in a rack, go to the section, [“Install the Server Into a Populated Rack”](#) on page 11

---

To use the Rack Alignment template, complete these steps:

- a. Place the Rack Alignment template over the vertical rack rail.
- b. Place the Rack Alignment template in the space where the server will be installed, lining up the bottom of the Rack Alignment template with the top of the server below. See next figure.
- c. Adjust the Rack Alignment template so that the mounting hole is centered on a rack rail hole and mark that rail hole.



---

# Install the Mounting Screws

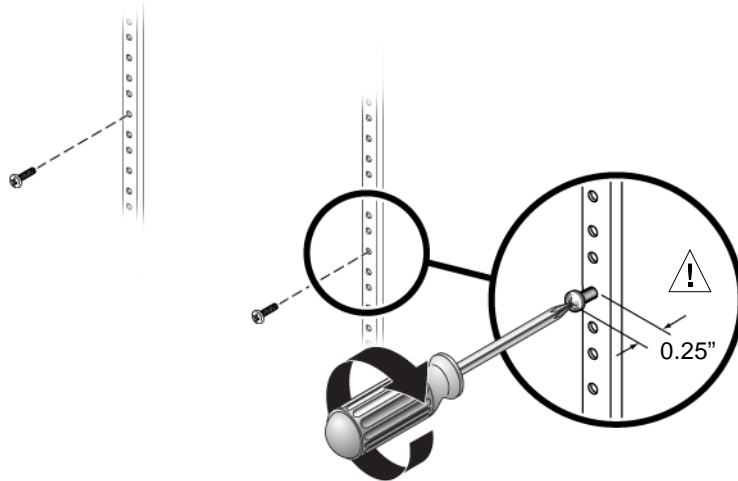
---

**Note** – The screws for mounting the system to the rack rails are not provided in the 2-Post rack kit. You must provide six screws that are appropriate for your rack.

---

- **Install one screw on the left and one screw on the right vertical rack rails.**

Use the holes you marked in the previous step. Do not fully tighten the screws until after you install the server. Leave a 0.25-inch (0.64-cm) gap between the head of each screw and the rack rail.



---

# Install the Server Into the Rack



---

**Caution** – Before you install or remove the server from the rack, be sure the rack is stabilized so that it cannot move or tip forward. See the rack documentation for information about stabilizing the rack.

---

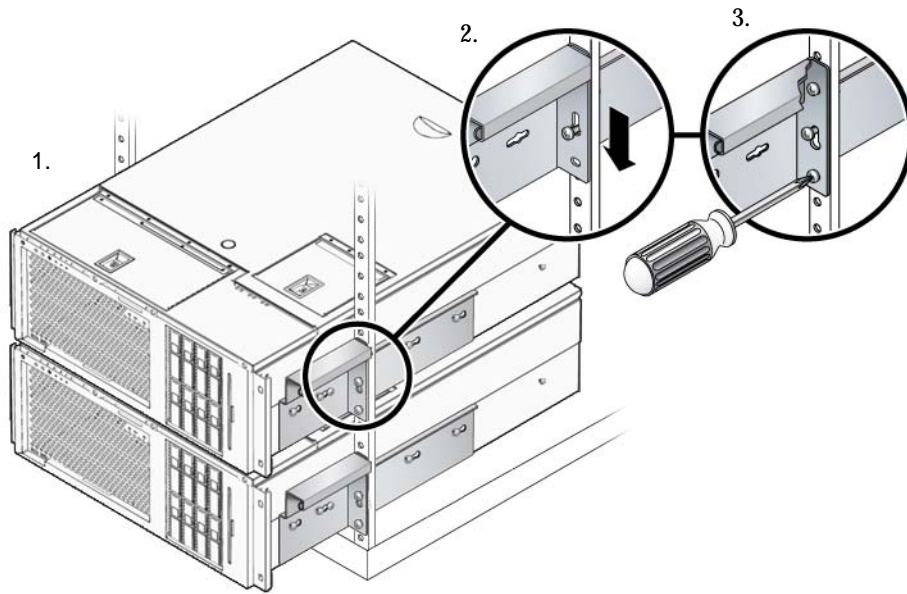


---

**Caution** – The server is heavy. Two persons are required to move the server.

---

1. With one person on each side of the server, lift the server and approach the rack with the back of the server facing the front of the rack.
2. Lift the server up and over the mounting screw on each side of the vertical rack rail so that the large hole clears the head of the screw.  
Slide the server down so that the server rests on the mounting screws.
3. Use six screws (two screws and the mounting screw on each side) to secure the server to the vertical rack rails.



---

# Install the Server Into a Populated Rack

Attach the mounting brackets to the chassis using one M4 screw for each bracket. See [“Attach the Mounting Brackets to the Chassis” on page 7](#) for instructions.

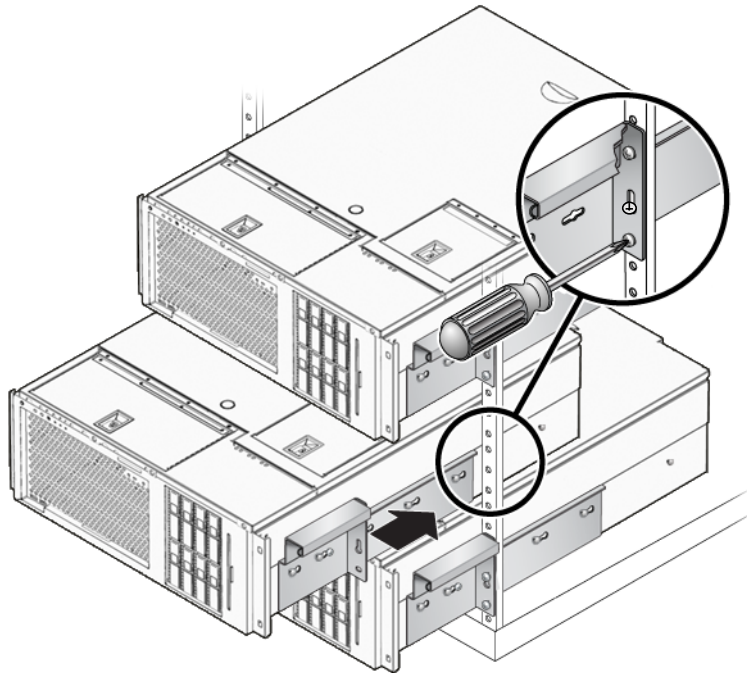


---

**Caution** – When installing or removing the server from a populated 2-post rack, be sure to support the weight of the server, so that you do not damage the component installed below it in the rack.

---

- 1. Slide the server into the open position in the rack.**  
Allow four rack unit spaces (7.0 inches/17.8 cm) per server.
- 2. Using a Phillips No. 2 screwdriver, secure three screws to each vertical rack rail.**



---

## What Next

The next steps are to connect the power cords and Ethernet cables, and then to power on the server. See the *Sun Fire V445 Server Installation Guide*, beginning with the section, “Connecting the Cords and Cables” in Chapter 2.