

Instructions for Installing RoHS-Compliant Top Cover EMI Gaskets on a Sun Fire™ V440 Server

FCO271

Some Sun Fire V440 servers labeled as RoHS-compliant were inadvertently shipped with non-RoHS compliant electromagnetic interference (EMI) gaskets around the top cover seal. Sun Services is making replacement gasket kits available to customers. Refer to the *Sun Fire V440 Server Parts Installation and Removal Guide* (816-7729) and these instructions to install the new gasket kit.

This document contains the following sections:

- n [“Identifying Affected Systems”](#)
- n [“Ordering a Gasket Replacement Kit”](#)
- n [“Installing the Gasket Replacement Kit”](#)

Identifying Affected Systems

If your system serial number starts with 0626 or earlier, then you must replace the top cover EMI gaskets in order to make the system RoHS compliant. Systems with serial number 0627 and later are fully RoHS compliant, and do not require the upgrade kit. Non-RoHS-compliant gaskets are silver-colored. RoHS-compliant gaskets are gold-colored, with the Sun logo embossed in the material.

Contact Sun Services to determine if you need a top cover EMI gasket replacement kit.

Ordering a Gasket Replacement Kit

The gasket replacement kit is shipped separately. To order a gasket replacement kit (Part No. 560-2871-01), contact Sun Services. Local contact information is listed at <http://www.sun.com/service/contacting/solution.html>.

These kits are being distributed as part of Field Change Order (FCO) 271. Each kit contains the following components:

- n Short EMI gasket, Part No. 240-5887-01 (10 pieces)
- n Long EMI gasket, Part No. 240-5884-01 (10 pieces)
- n Instructions for accessing the Sun documentation web site, Part No. 819-3600

Each gasket replacement kit contains the parts required to upgrade ten Sun Fire V440 servers.

Installing the Gasket Replacement Kit

Before You Begin

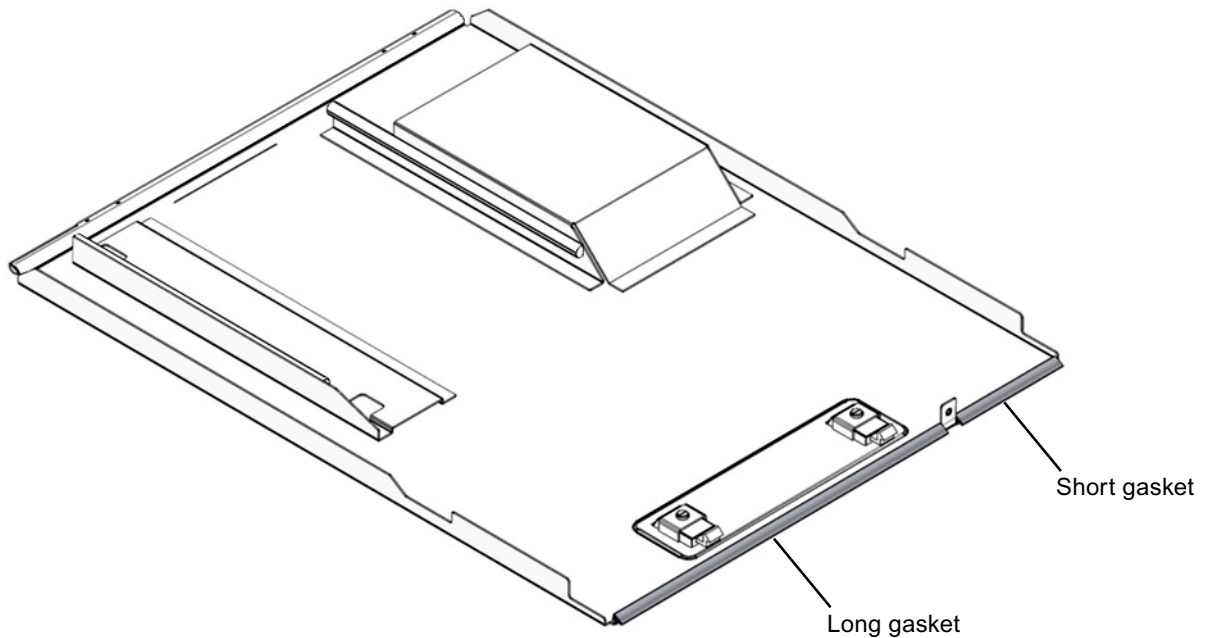
Perform the following tasks, as described in the *Sun Fire V440 Server Parts Installation and Removal Guide*:

- n How to Slide the System Out of the Cabinet
- n How to Remove the Top Cover

Note – This procedure can be performed while the system is running. Powering off the system is not required.

What to Do

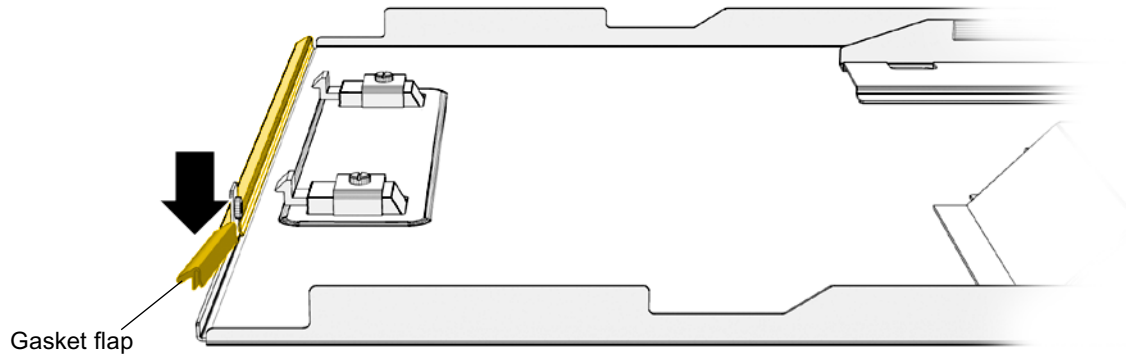
1. **Note the location and orientation of the gaskets to be replaced.**



2. **Remove the old long top cover gasket and discard it.**
3. **Install the new long top cover gasket from the replacement kit.**
Ensure that the new gasket is oriented correctly, with the gasket flap facing the edge of the top panel.
4. **Remove the old short top cover gasket and discard it.**

5. Install the new short top cover gasket from the replacement kit.

Ensure that the new gasket is oriented correctly, with the gasket flap facing the edge of the top panel.



What Next

Complete the following steps, as described in the *Sun Fire V440 Server Parts Installation and Removal Guide*:

- n How to Install the Top Cover
- n How to Slide the System into the Cabinet

Accessing Sun Documentation

You can view, print, or purchase a broad selection of Sun documentation, including localized versions, at:
<http://www.sun.com/documentation>

Third-Party Web Sites

Sun is not responsible for the availability of third-party web sites mentioned in this document. Sun does not endorse and is not responsible or liable for any content, advertising, products, or other materials that are available on or through such sites or resources. Sun will not be responsible or liable for any actual or alleged damage or loss caused by or in connection with the use of or reliance on any such content, goods, or services that are available on or through such sites or resources.

Contacting Sun Technical Support

If you have technical questions about this product that are not answered in this document, go to:
<http://www.sun.com/service/contacting>

Sun Welcomes Your Comments

Sun is interested in improving its documentation and welcomes your comments and suggestions. You can submit your comments by going to:

<http://www.sun.com/hwdocs/feedback>

Please include the title and part number of your document with your feedback:

Instructions for Installing RoHS-Compliant Top Cover EMI Gaskets on a Sun Fire V440 Server, part number 819-7418-11

Copyright 2005 Sun Microsystems, Inc. All rights reserved. Use is subject to license terms. Third-party software, including font technology, is copyrighted and licensed from Sun suppliers. Portions may be derived from Berkeley BSD systems, licensed from U. of CA. Sun, Sun Microsystems, the Sun logo, Java, and Solaris are trademarks or registered trademarks of Sun Microsystems, Inc. in the U.S. and in other countries. All SPARC trademarks are used under license and are trademarks or registered trademarks of SPARC International, Inc. in the U.S. and in other countries. U.S. Government Rights—Commercial use. Government users are subject to the Sun Microsystems, Inc. standard license agreement and applicable provisions of the FAR and its supplements.

Copyright 2005 Sun Microsystems, Inc. Tous droits réservés. Distribué par des licences qui en restreignent l'utilisation. Le logiciel détenu par des tiers, et qui comprend la technologie relative aux polices de caractères, est protégé par un copyright et licencié par des fournisseurs de Sun. Des parties de ce produit pourront être dérivées des systèmes Berkeley BSD licenciés par l'Université de Californie. Sun, Sun Microsystems, le logo Sun, Java, et Solaris sont des marques de fabrique ou des marques déposées de Sun Microsystems, Inc. aux Etats-Unis et dans d'autres pays. Toutes les marques SPARC sont utilisées sous licence et sont des marques de fabrique ou des marques déposées de SPARC International, Inc. aux Etats-Unis et dans d'autres pays.



Sun Microsystems, Inc.
www.sun.com