



Cable Management Arm Installation Note

Sun Microsystems, Inc.
www.sun.com

Part No. 819-2290-10
March 2005, Revision 01

Submit comments about this document at: <http://www.sun.com/hwdocs/feedback>

Copyright 2005 Sun Microsystems, Inc., 4150 Network Circle, Santa Clara, California 95054, U.S.A. All rights reserved.

Sun Microsystems, Inc. has intellectual property rights relating to technology that is described in this document. In particular, and without limitation, these intellectual property rights may include one or more of the U.S. patents listed at <http://www.sun.com/patents> and one or more additional patents or pending patent applications in the U.S. and in other countries.

This document and the product to which it pertains are distributed under licenses restricting their use, copying, distribution, and decompilation. No part of the product or of this document may be reproduced in any form by any means without prior written authorization of Sun and its licensors, if any.

Third-party software, including font technology, is copyrighted and licensed from Sun suppliers.

Parts of the product may be derived from Berkeley BSD systems, licensed from the University of California. UNIX is a registered trademark in the U.S. and in other countries, exclusively licensed through X/Open Company, Ltd.

Sun, Sun Microsystems, the Sun logo, AnswerBook2, docs.sun.com, and Solaris are trademarks or registered trademarks of Sun Microsystems, Inc. in the U.S. and in other countries.

All SPARC trademarks are used under license and are trademarks or registered trademarks of SPARC International, Inc. in the U.S. and in other countries. Products bearing SPARC trademarks are based upon an architecture developed by Sun Microsystems, Inc.

The OPEN LOOK and Sun™ Graphical User Interface was developed by Sun Microsystems, Inc. for its users and licensees. Sun acknowledges the pioneering efforts of Xerox in researching and developing the concept of visual or graphical user interfaces for the computer industry. Sun holds a non-exclusive license from Xerox to the Xerox Graphical User Interface, which license also covers Sun's licensees who implement OPEN LOOK GUIs and otherwise comply with Sun's written license agreements.

U.S. Government Rights—Commercial use. Government users are subject to the Sun Microsystems, Inc. standard license agreement and applicable provisions of the FAR and its supplements.

DOCUMENTATION IS PROVIDED "AS IS" AND ALL EXPRESS OR IMPLIED CONDITIONS, REPRESENTATIONS AND WARRANTIES, INCLUDING ANY IMPLIED WARRANTY OF MERCHANTABILITY, FITNESS FOR A PARTICULAR PURPOSE OR NON-INFRINGEMENT, ARE DISCLAIMED, EXCEPT TO THE EXTENT THAT SUCH DISCLAIMERS ARE HELD TO BE LEGALLY INVALID.

Copyright 2005 Sun Microsystems, Inc., 4150 Network Circle, Santa Clara, Californie 95054, Etats-Unis. Tous droits réservés.

Sun Microsystems, Inc. a les droits de propriété intellectuels relatants à la technologie qui est décrit dans ce document. En particulier, et sans la limitation, ces droits de propriété intellectuels peuvent inclure un ou plus des brevets américains énumérés à <http://www.sun.com/patents> et un ou les brevets plus supplémentaires ou les applications de brevet en attente dans les Etats-Unis et dans les autres pays.

Ce produit ou document est protégé par un copyright et distribué avec des licences qui en restreignent l'utilisation, la copie, la distribution, et la décompilation. Aucune partie de ce produit ou document ne peut être reproduite sous aucune forme, par quelque moyen que ce soit, sans l'autorisation préalable et écrite de Sun et de ses bailleurs de licence, s'il y en a.

Le logiciel détenu par des tiers, et qui comprend la technologie relative aux polices de caractères, est protégé par un copyright et licencié par des fournisseurs de Sun.

Des parties de ce produit pourront être dérivées des systèmes Berkeley BSD licenciés par l'Université de Californie. UNIX est une marque déposée aux Etats-Unis et dans d'autres pays et licenciée exclusivement par X/Open Company, Ltd.

Sun, Sun Microsystems, le logo Sun, AnswerBook2, docs.sun.com, et Solaris sont des marques de fabrique ou des marques déposées de Sun Microsystems, Inc. aux Etats-Unis et dans d'autres pays.

Toutes les marques SPARC sont utilisées sous licence et sont des marques de fabrique ou des marques déposées de SPARC International, Inc. aux Etats-Unis et dans d'autres pays. Les produits portant les marques SPARC sont basés sur une architecture développée par Sun Microsystems, Inc.

L'interface d'utilisation graphique OPEN LOOK et Sun™ a été développée par Sun Microsystems, Inc. pour ses utilisateurs et licenciés. Sun reconnaît les efforts de pionniers de Xerox pour la recherche et le développement du concept des interfaces d'utilisation visuelle ou graphique pour l'industrie de l'informatique. Sun détient une licence non exclusive de Xerox sur l'interface d'utilisation graphique Xerox, cette licence couvrant également les licenciées de Sun qui mettent en place l'interface d'utilisation graphique OPEN LOOK et qui en outre se conforment aux licences écrites de Sun.

LA DOCUMENTATION EST FOURNIE "EN L'ÉTAT" ET TOUTES AUTRES CONDITIONS, DECLARATIONS ET GARANTIES EXPRESSES OU TACITES SONT FORMELLEMENT EXCLUES, DANS LA MESURE AUTORISEE PAR LA LOI APPLICABLE, Y COMPRIS NOTAMMENT TOUTE GARANTIE IMPLICITE RELATIVE A LA QUALITE MARCHANDE, A L'APTITUDE A UNE UTILISATION PARTICULIERE OU A L'ABSENCE DE CONTREFAÇON.



Please
Recycle



Adobe PostScript

Contents

1. Installing the Cable Management Arm	1
How to Determine Which CMA is Included with Your System	2
Installing and Cabling CMA Type A	3
How to Install CMA Type A	3
How to Secure the Cables to CMA Type A	10
Installing and Cabling CMA Type B	13
How to Determine the Correct Mounting Location	13
How to Install CMA Type B	14
How to Secure the Cables to CMA Type B	17
Restore the Cabinet	19
What Next	19

Installing the Cable Management Arm

Note – The instructions in this document supercede the cable management arm installation instructions in your system installation or setup guide.

The cable management arm (CMA) is installed between the inner glide and the rack slide assembly in a 4-post rack or cabinet. It is located in your server's ship kit, and is packaged with the 4-post rack installation kit.

Note – You must install the system into a rack or cabinet before installing the cable management arm. See your system installation guide or rackmounting guide for rackmounting instructions, then refer to this document for CMA installation instructions.

The system is shipped with one of two CMA designs. To install the CMA, you must do the following:

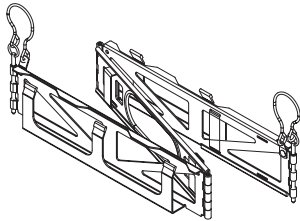
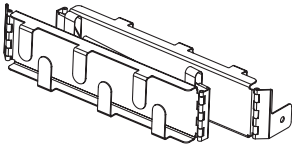
- Install the server into a 4-post rack or cabinet. See your server installation or setup guide.
- Determine which CMA was shipped with your system. See [“How to Determine Which CMA is Included with Your System”](#) on page 2.
- Install the CMA. See one of the following:
 - [“How to Install CMA Type A”](#) on page 3
 - [“How to Install CMA Type B”](#) on page 12
- Attach the power and data cables to your system. See your system installation or setup guide for specific instructions.
- Secure the system cables to the CMA. See one of the following:
 - [“How to Secure the Cables to CMA Type A”](#) on page 9

- [“How to Secure the Cables to CMA Type B” on page 15](#)

Determining Which CMA is Included with Your System

Your system was shipped with one of two CMA designs. See [TABLE 1](#) to determine which CMA is included with your system.

TABLE 1 Determining the CMA type

CMA Type A	CMA Type B
 A perspective view of a Cable Management Arm (CMA) Type A. It is a long, narrow metal arm with a central hinge mechanism. At each end, there are hook-like fasteners for securing cables. The arm has a complex, multi-part design with various slots and protrusions.	 A perspective view of a Cable Management Arm (CMA) Type B. It is a long, narrow metal arm with a simpler design than Type A. It features a series of rectangular slots along its length and a single hook-like fastener at one end. The other end has a small protrusion.
See “How to Install CMA Type A” on page 3	See “How to Install CMA Type B” on page 12

Installing and Cabling CMA Type A

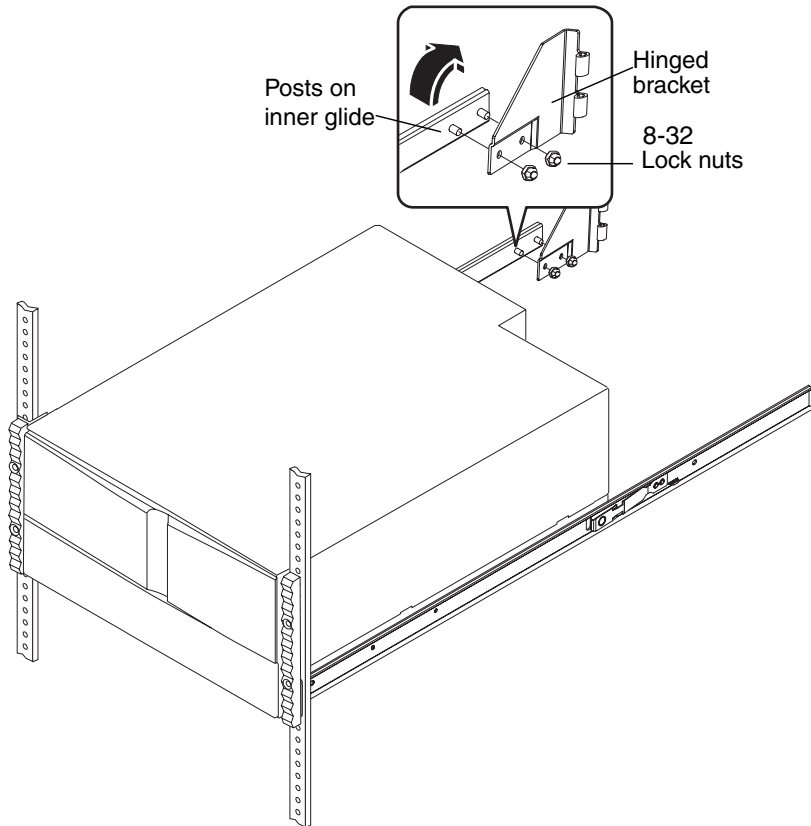
The following instructions apply to CMA Type A. If you have CMA Type B, see [“Installing and Cabling CMA Type B” on page 11.](#)

▼ How to Install CMA Type A

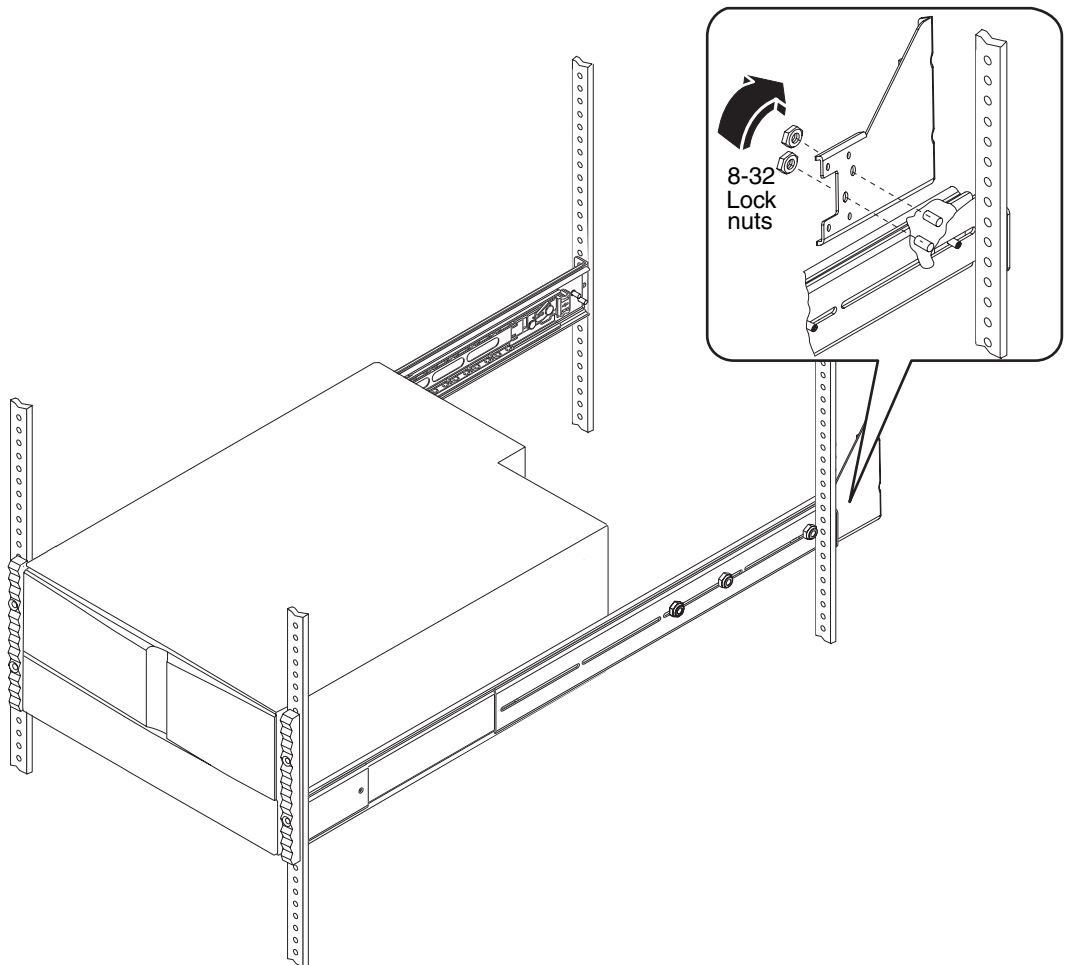
- 1. Remove the screws that secure the front of the system to the left and right vertical rails at the front of the cabinet.**
- 2. Slide the chassis smoothly out of the cabinet about 3 inches (76.2 mm).**

Sliding the server out of the cabinet provides easy access to the areas where you will attach the cable management arm.
- 3. Attach a hinged bracket to the posts on the inner glide, as shown in the next figure.**
 - a. Locate the two horizontal posts on the inner glide on the PCI-side of the system.**
 - b. Remove the protective covers from the posts.**
 - c. Position the holes on the hinged bracket over the two posts on the inner glide.**

d. Secure the hinged bracket to the inner glide using two 8-32 lock nuts.



4. Attach the other hinged bracket to the diagonal posts on the opposite slide assembly.
 - a. Locate the two diagonal posts on the opposite-side slide assembly.
 - b. Remove the protective covers from the posts.
 - c. Position the diagonal holes on the hinged bracket over the two posts on the slide assembly.
 - d. Secure the hinged bracket to the slide assembly using two 8-32 lock nuts.



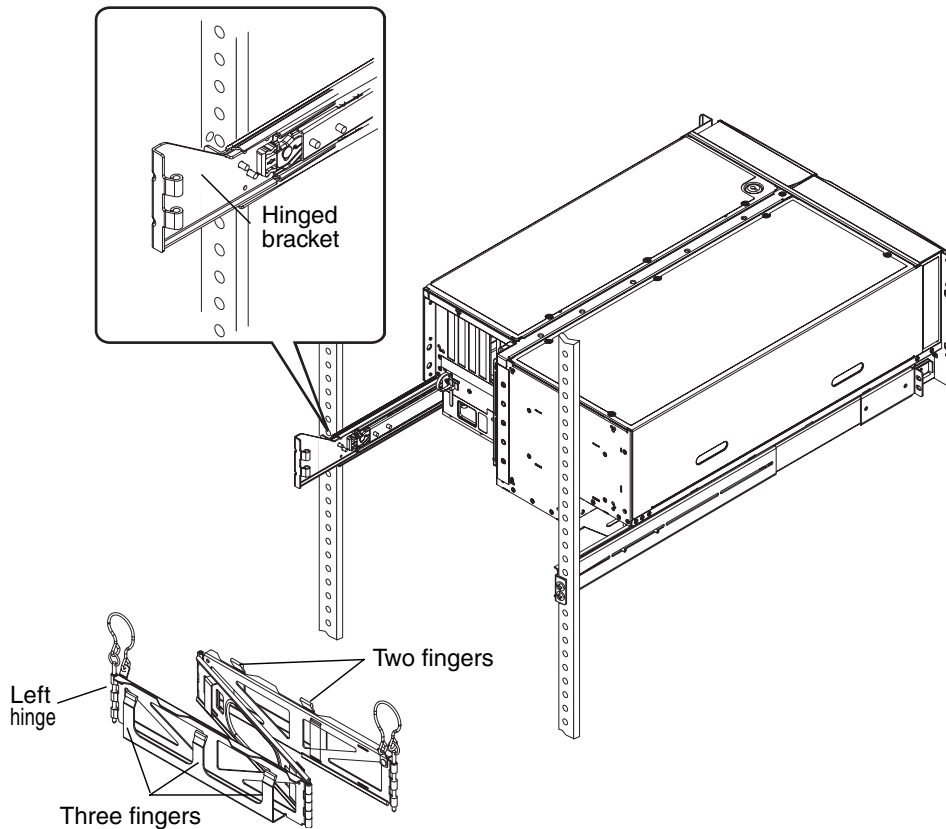
5. Attach one end of the cable management arm to the hinged bracket on the slide assembly.

The cable management arm is included in the rack kit.

a. Position the cable management arm so that the two metal fingers in the first section are facing forward, toward the front of the server.

The segment with three metal fingers should be facing away from the server, toward the rear of the cabinet.

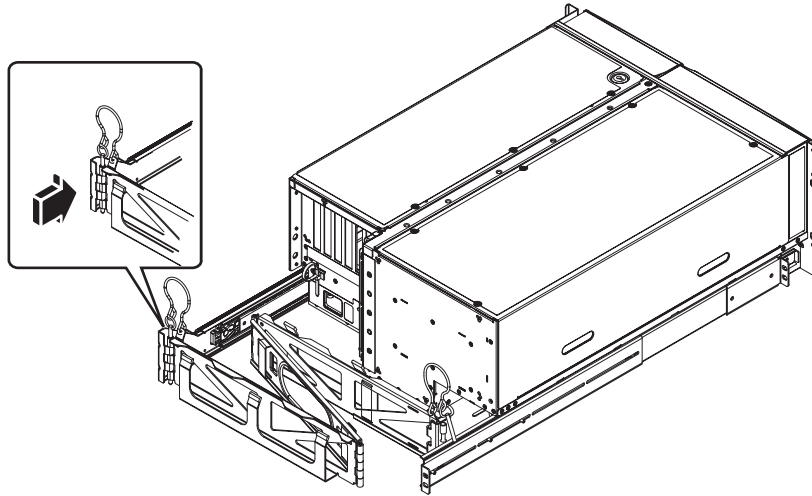
b. Locate the hinged bracket on the slide assembly.



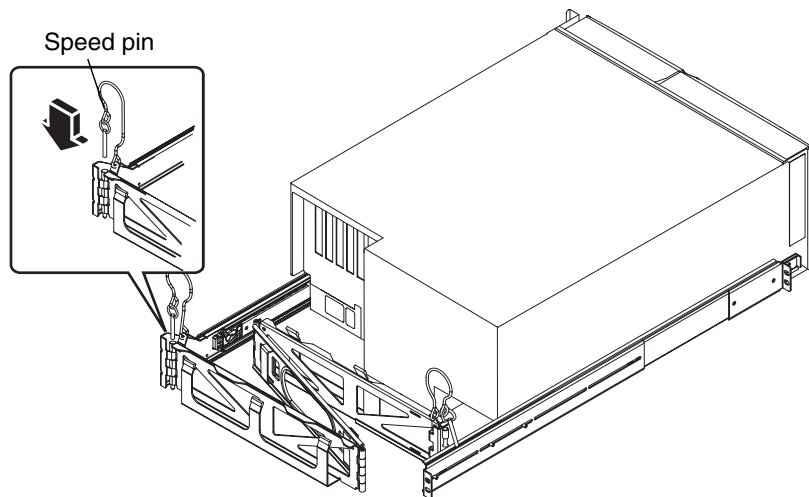
c. Slide the hinge on the cable management arm into the hinge on the slide assembly bracket until the openings in both hinge sides are aligned.

d. Locate the speed pin on the end of the cable management arm.

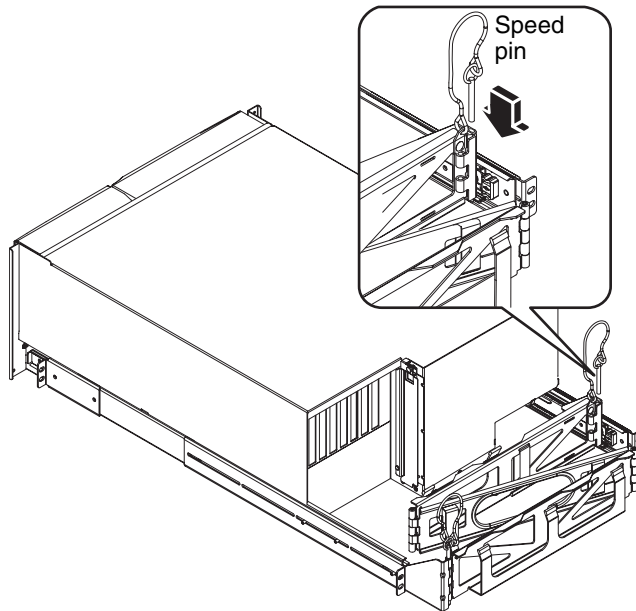
The speed pin secures the cable management arm to the slide assembly bracket.



e. Insert the speed pin through the aligned openings of the hinges on the slide assembly and the cable management arm. Push the speed pin down firmly until it snaps into place.



6. Attach the other end of the cable management arm to the hinged bracket on the inner glide.
 - a. Locate the hinged bracket on the end of the inner glide.
 - b. Slide the hinge on the cable management arm into the hinge on the bracket attached to the inner glide until the openings in both hinges are aligned.
 - c. Insert the speed pin through the aligned openings of the hinges on the bracket and the cable management arm and push the speed pin down firmly.



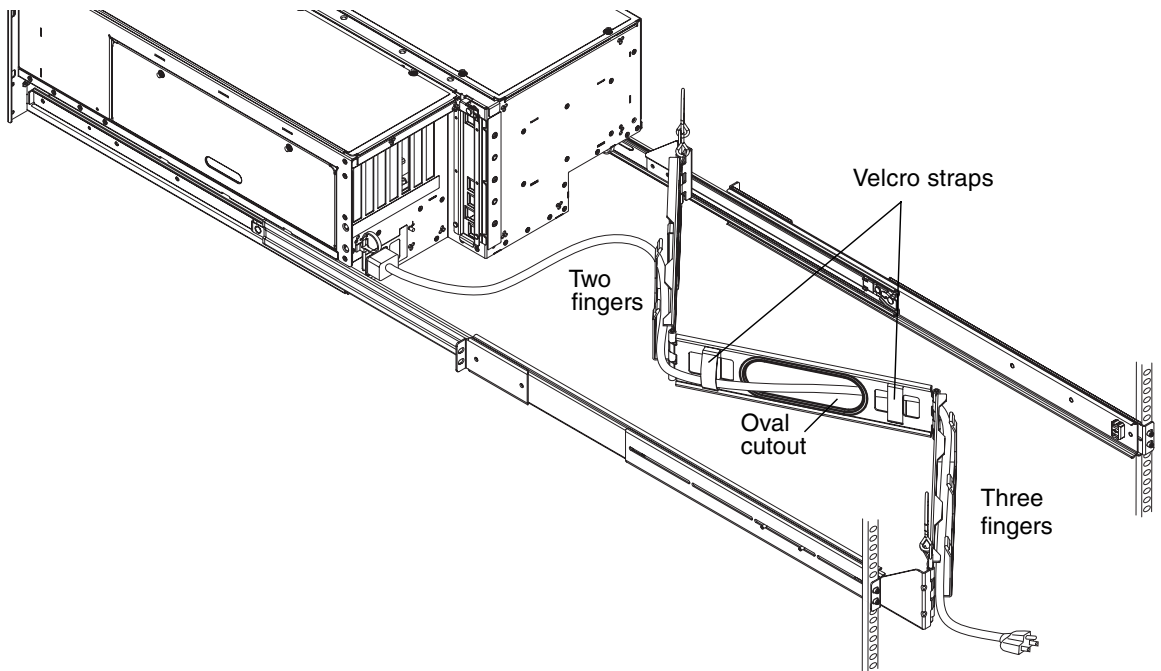
7. Connect the power cords and cables to the server ports. See your system installation or setup guide for specific instructions.

Note – Do not secure the server to the front mounting rails until after you connect the cables and route them onto the cable management arm. It is easier to route the cables onto the cable management arm when the server is extended out of the rack.

▼ How to Secure the Cables to CMA Type A

Note – This procedure illustrates how to route and secure the power cords and the Ethernet cable to the cable management arm. Your system may use additional cables.

- 1. If necessary, slide the chassis smoothly out of the cabinet about 3 inches (7.62 cm).**
Sliding the server out of the cabinet provides easier access to the cable management arm.
- 2. Locate the two metal fingers on the first section of the cable management arm and the three metal fingers on the third section of the cable management arm.**
Note the Velcro straps in the first and center sections.
- 3. Locate the large oval cutout in the center section of the cable management arm.**
The fingers, oval cutout, and straps enable you to route the cables and cords and secure them to the cable management path. A single power cord is shown in the figure below to indicate a routing path.



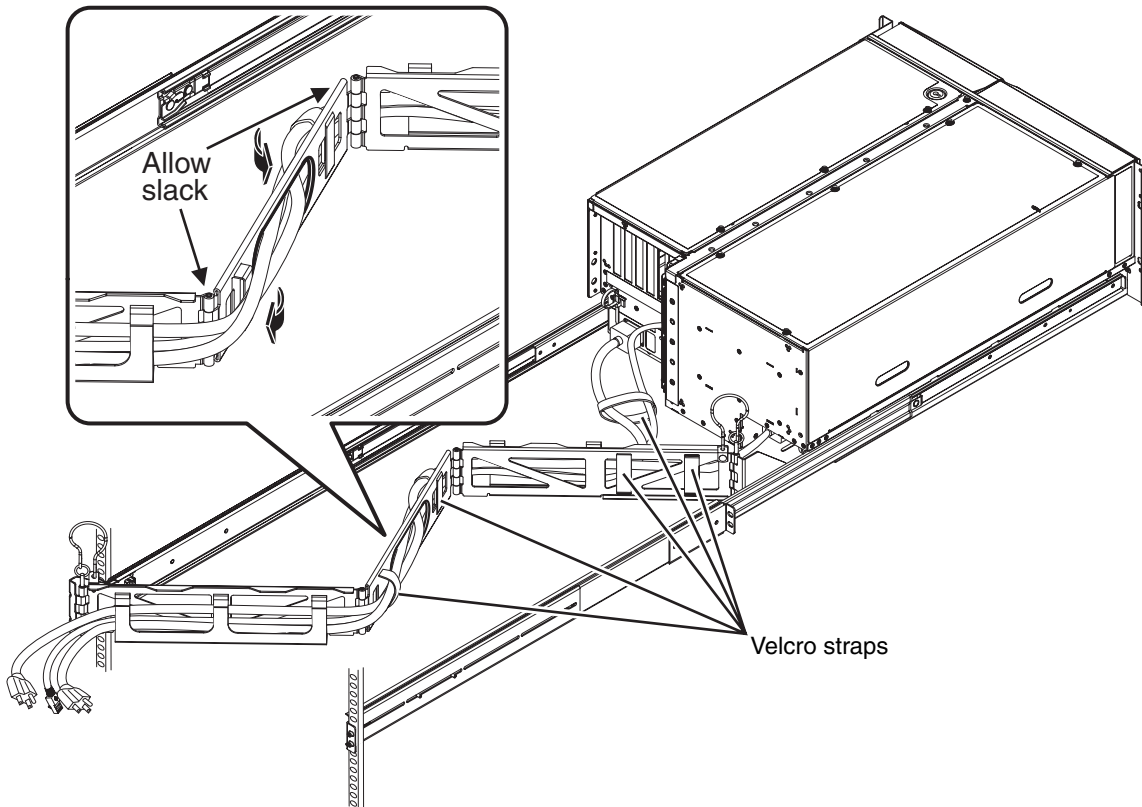
- 4. Route the cables into the two fingers in the first section of the cable management arm.**
Be sure you leave enough slack to ensure an adequate bend radius for the cables.

5. Group the cables and insert the group into the large oval cutout, as shown in the next figure.

Use the oval cutout in the center section to route a group of cables through the cable management arm. Be sure you leave enough slack around the hinge to ensure an adequate bend radius for the cables.

Note – Do not insert the cables into the other metal cutouts. Use those cutouts to access and manipulate the cables.

6. Route the cables into the three fingers in the third section of the cable management arm, as shown in the next figure.
7. Using the Velcro straps, secure the cords and cables to the first and center sections of the cable management arm.



8. Connect the outlet plug of each power cord to the power sequencer in the cabinet, or to a grounded AC power outlet.



Caution – Each outlet must connect the server to a 15A circuit for North America and Japan, and to a 10A circuit for Europe. Consult your local electrical codes for any additional requirements. See the instructions provide with your cabinet for information about the power sequencer.

Note – For increased server redundancy, connect the power cords to separate circuits.

9. Plug in the twisted-pair Ethernet (TPE) cable to the RJ-45 outlet to connect to your Ethernet network.

See your network administrator if you need more information about how to connect to your network.

10. Secure the server to the front vertical mounting rails using either four M6 screws or four 10-32 screws.

Installing and Cabling CMA Type B

Note – The following instructions apply to CMA Type B. If you have CMA Type A, see [“Installing and Cabling CMA Type A”](#) on page 3.

Determining the Correct Mounting Location

Cable Management Arm Type B is reversable: it can be mounted on either side of the system. In order to ensure proper cable routing, Sun recommends you mount the end of the CMA closest to the back panel of the system on the same side of the system’s PCI cards.

Follow these guidelines:

- If your system has PCI cards on the left side of the back panel, mount one end of the CMA on the left inner glide, and the other end on the right slide assembly.
- If your system has PCI cards on the right side of the back panel, mount one end of the CMA on the right inner glide, and the other end on the left slide assembly.

See [TABLE 2](#) to determine the correct mounting location for the CMA.

TABLE 2 Determining correct CMA mounting location

Location of PCI cards	Left	Right
Inner glide mounting location of CMA	Left	Right
Slide mounting location of the CMA	Right	Left

▼ How to Install CMA Type B

Note – You must determine the correct mounting location for the CMA. See [“How to Determine the Correct Mounting Location”](#) on page 11 before proceeding.

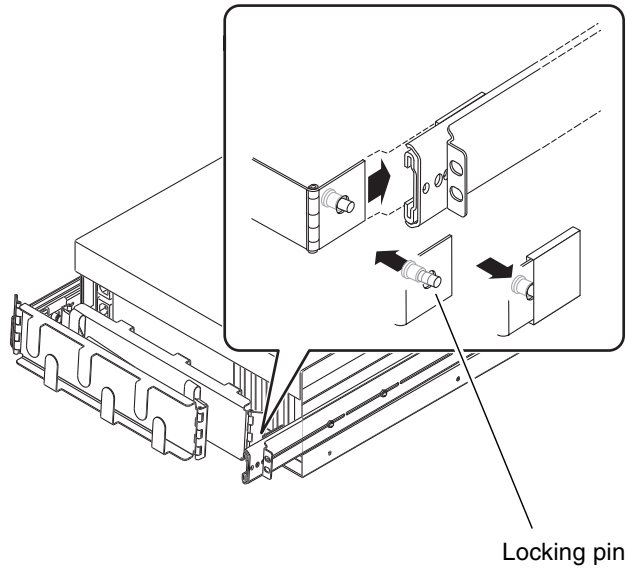
- 1. Remove the screws that secure the front of the system to the left and right vertical rails at the front of the cabinet.**
- 2. Slide the chassis smoothly out of the cabinet about 3 inches (8 cm).**

Sliding the server out of the cabinet provides easy access to the areas where you will attach the cable management arm.

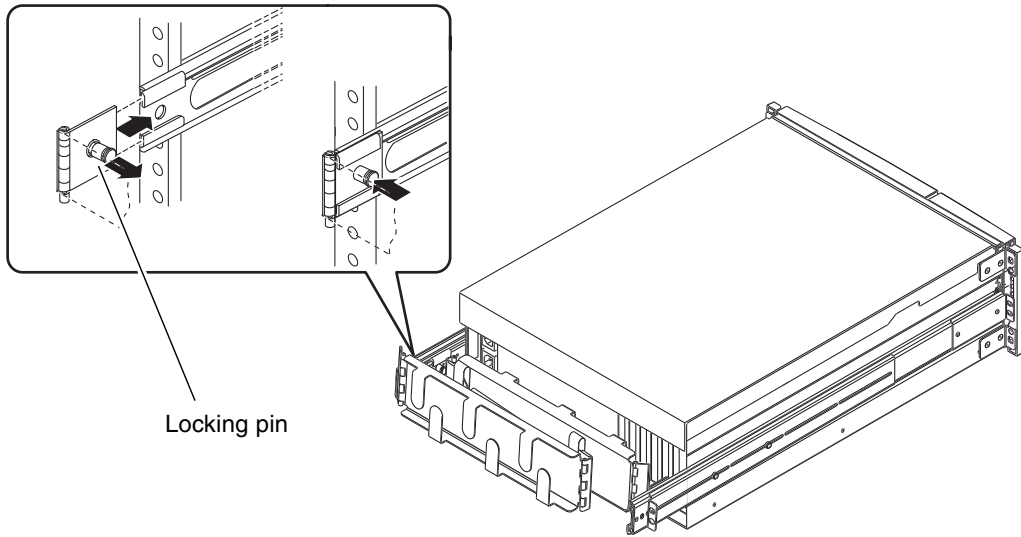
3. Attach one end of the cable management arm to the inner glide.

The cable management arm is included in the rack kit.

- a. Go to the back of the cabinet. Locate the inner glide on the PCI-side of the system.**
- b. Position the cable management arm so that the hinged tab slides into the end of the inner glide.**
- c. Slide the hinged tab in until its locking pin snaps into place.**



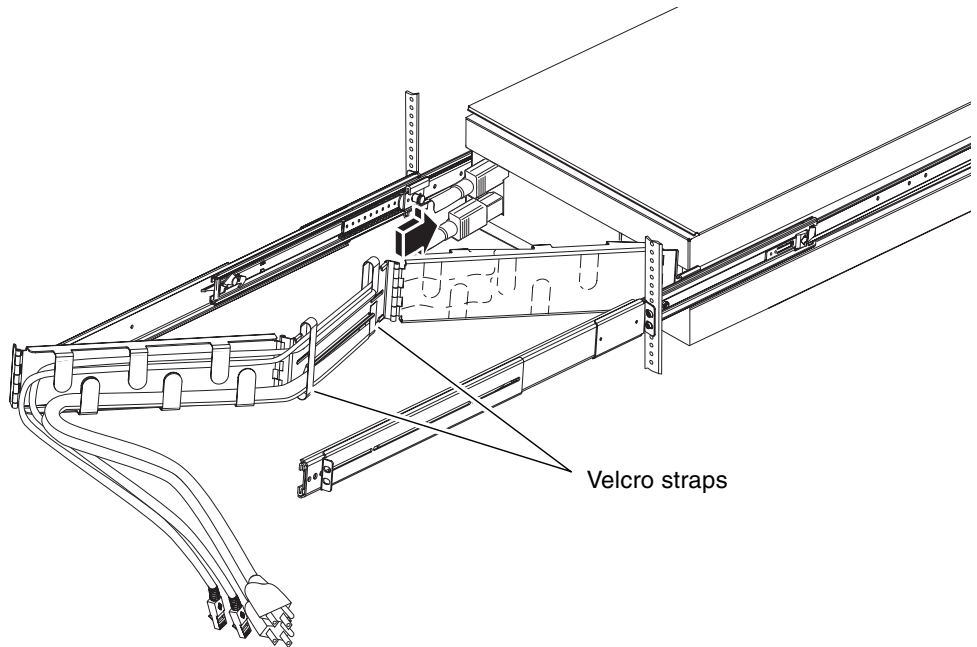
4. Attach the other end end of the cable management arm to the slide assembly.
 - a. Locate the end of the slide assembly.
 - a. Position the cable management arm so that the hinged tab slides into the end of the slide assembly.
 - b. Slide the hinged tab in until its locking pin snaps into place.



How to Secure the Cables to CMA Type B

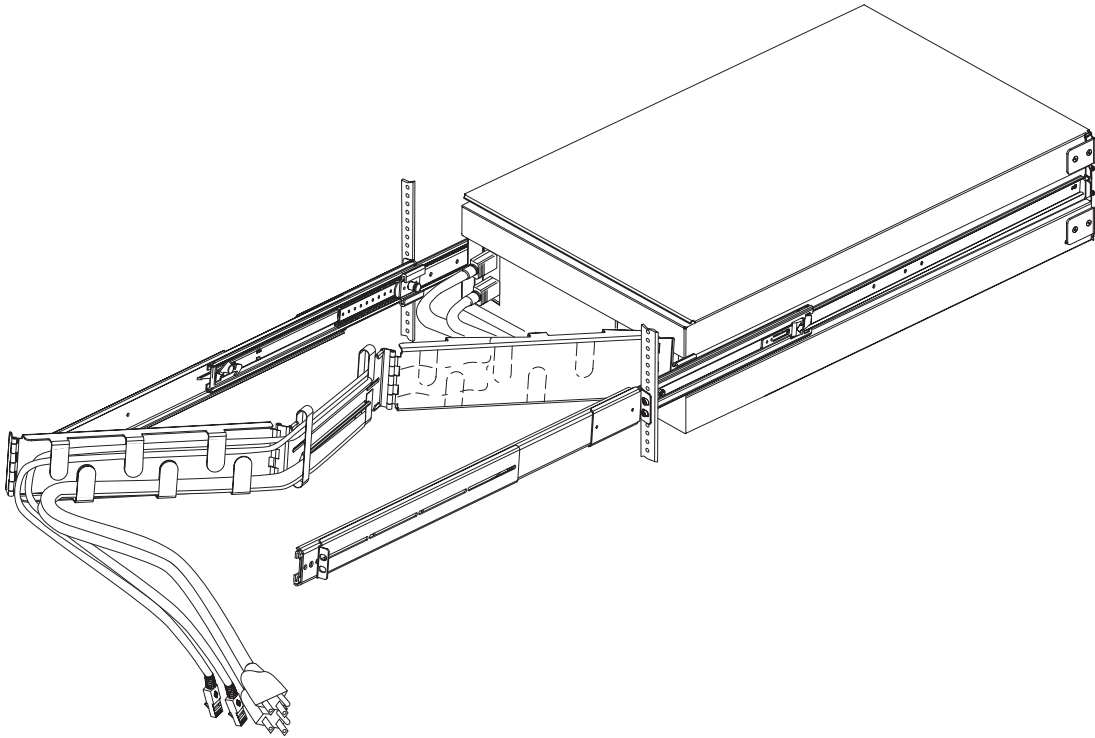
Note – This procedure illustrates how to route and secure the power cords and the Ethernet cable to the cable management arm. Your system may use additional cables.

- 1. If necessary, slide the chassis smoothly out of the cabinet about 3 inches (8 cm).**
Sliding the server out of the cabinet provides easier access to the cable management arm.
- 2. Locate the metal fingers on the first and third sections of the cable management arm.**
- 3. Locate the center section of the cable management arm.**
The Velcro straps enable you to route the cables and cords and secure them to the cable management arm.
- 4. Route the cables into the fingers in the first section of the cable management arm.**
Leave enough slack in the cables to ensure that the hinges operate freely without crimping or binding the cables.



5. Arrange the cables along the center section of the cable management arm.

Distribute the cables evenly above and below the center section of the cable management arm, securing them with the Velcro straps. Leave enough slack around the hinges to ensure that they operate freely without crimping or binding the cables.



6. Route the cables into the fingers in the third section of the cable management arm.

7. **Connect the outlet plug of each power cord to the power sequencer in the cabinet, or to a grounded AC power outlet.**



Caution – Each outlet must connect the server to a 15A circuit for North America and Japan, and to a 10A circuit for Europe. Consult your local electrical codes for any additional requirements. See the instructions provide with your cabinet for information about the power sequencer.

Note – For increased server redundancy, connect the power cords to separate circuits.

8. **Plug in the twisted-pair Ethernet (TPE) cable to the RJ-45 outlet to connect to your Ethernet network.**

See your network administrator if you need more information about how to connect to your network.

9. **Secure the server to the front vertical mounting rails using either four M6 screws or four 10-32 screws.**

Restoring the Cabinet

See the instructions provided with your cabinet to complete these steps.

1. **Retract the cabinet's anti-tip legs, if applicable.**
2. **Replace the side panels, if applicable.**
3. **Replace the front and back doors, if applicable.**

What Next

The next step is to set up a system console, power on the server, and install the Solaris™ Operating System. See your server installation guide for specific instructions.

