



# Sun Enterprise™ 450 Server

---

Product Notes

プロダクトノート

제품 메모

发行说明

產品說明

Sun Microsystems, Inc.  
901 San Antonio Road  
Palo Alto, CA 94303  
U.S.A. 650-960-1300

Part No. 806-4666-10  
August 2000, [Revision A](#)

[Send comments about this document to: docfeedback@sun.com](mailto:docfeedback@sun.com)

Copyright 2000 Sun Microsystems, Inc., 901 San Antonio Road • Palo Alto, CA 94303-4900 USA. All rights reserved.

This product or document is protected by copyright and distributed under licenses restricting its use, copying, distribution, and decompilation. No part of this product or document may be reproduced in any form by any means without prior written authorization of Sun and its licensors, if any. Third-party software, including font technology, is copyrighted and licensed from Sun suppliers.

Parts of the product may be derived from Berkeley BSD systems, licensed from the University of California. UNIX is a registered trademark in the U.S. and other countries, exclusively licensed through X/Open Company, Ltd. For Netscape Communicator™, the following notice applies: Copyright 1995 Netscape Communications Corporation. All rights reserved.

Sun, Sun Microsystems, the Sun logo, AnswerBook2, docs.sun.com, Sun Enterprise, OpenBoot, SunCD and Solaris are trademarks, registered trademarks, or service marks of Sun Microsystems, Inc. in the U.S. and other countries. All SPARC trademarks are used under license and are trademarks or registered trademarks of SPARC International, Inc. in the U.S. and other countries. Products bearing SPARC trademarks are based upon an architecture developed by Sun Microsystems, Inc.

The OPEN LOOK and Sun™ Graphical User Interface was developed by Sun Microsystems, Inc. for its users and licensees. Sun acknowledges the pioneering efforts of Xerox in researching and developing the concept of visual or graphical user interfaces for the computer industry. Sun holds a non-exclusive license from Xerox to the Xerox Graphical User Interface, which license also covers Sun's licensees who implement OPEN LOOK GUIs and otherwise comply with Sun's written license agreements.

**RESTRICTED RIGHTS:** Use, duplication, or disclosure by the U.S. Government is subject to restrictions of FAR 52.227-14(g)(2)(6/87) and FAR 52.227-19(6/87), or DFAR 252.227-7015(b)(6/95) and DFAR 227.7202-3(a).

DOCUMENTATION IS PROVIDED "AS IS" AND ALL EXPRESS OR IMPLIED CONDITIONS, REPRESENTATIONS AND WARRANTIES, INCLUDING ANY IMPLIED WARRANTY OF MERCHANTABILITY, FITNESS FOR A PARTICULAR PURPOSE OR NON-INFRINGEMENT, ARE DISCLAIMED, EXCEPT TO THE EXTENT THAT SUCH DISCLAIMERS ARE HELD TO BE LEGALLY INVALID.



# Declaration of Conformity

Compliance ID: Q36  
Product Name: Sun Enterprise 450, Ultra 450 Creator, Ultra 450 Creator3D, and Ultra 450 Elite3D families

## EMC

USA – FCC Class A

This equipment complies with Part 15 of the FCC Rules. Operation is subject to the following two conditions:

1. This equipment may not cause harmful interference.
2. This equipment must accept any interference that may cause undesired operation.

## European Union

This equipment complies with the following requirements of the EMC Directive 89/336/EEC:

|                                |                 |  |
|--------------------------------|-----------------|--|
| EN55022 / CISPR22 (1985)       | Class A         | Integrity Design & Test Services, Inc.<br>Report Nos: 61419.E2, 61233.E3<br>Curtis-Straus, LLC. Report No: E990396-1 |
| EN50082-1                      | IEC801-2 (1991) | 8 kV (Direct), 15 kV (Air)   |
|                                | IEC801-3 (1984) | 10 V/m, 80% AM at 1KHz   |
|                                | IEC801-4 (1988) | 4.0 kV Power Lines, 1 kV Signal Lines  |
|                                | IEC801-5        | 2 kV Power Lines (L-L, L-G)<br>1 kV Signal Lines (L-G, Shield-G)   |
| EN61000-3-2/IEC1000-3-2 (1994) | Pass            |  |

## Safety

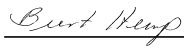
This equipment complies with the following requirements of the Low Voltage Directive 73/23/EEC:

EC Type Examination Certificates:

|                              |   |
|------------------------------|---|
| EN60950/IEC950 (1993)        | TUV Rheinland Certificate No: S9771525      |
| EN60950 w/ Nordic Deviations | CB Scheme Certificate No: UL1859-113363/USA |

## Supplementary Information

This product was tested and complies with all the requirements for the CE Mark.

  
\_\_\_\_\_  
Burt Hemp  
Manager, Power and Compliance Engineering  
Sun Microsystems, Inc.  
One Network Drive UBUR03-213  
Burlington, MA 01803-0903 USA  
Tel: (781) 442-0006  
Fax: (781) 442-1673

June 8, 1999

DATE

  
\_\_\_\_\_  
John Shades  
Quality Assurance Manager  
Sun Microsystems Limited  
Springfield, Linlithgow  
West Lothian, EH49 7LR  
Scotland, United Kingdom  
Tel: 1506 670000  
Fax: 1506 672323

June 8, 1999

DATE



# Regulatory Compliance Statements

Your Sun product is marked to indicate its compliance class:

- Federal Communications Commission (FCC) — USA
- Industry Canada Equipment Standard for Digital Equipment (ICES-003) — Canada
- Voluntary Control Council for Interference (VCCI) — Japan
- Bureau of Standards Metrology and Inspection (BSMI) — Taiwan

Please read the appropriate section that corresponds to the marking on your Sun product before attempting to install the product.

## FCC Class A Notice

This device complies with Part 15 of the FCC Rules. Operation is subject to the following two conditions:

1. This device may not cause harmful interference.
2. This device must accept any interference received, including interference that may cause undesired operation.

**Note:** This equipment has been tested and found to comply with the limits for a Class A digital device, pursuant to Part 15 of the FCC Rules. These limits are designed to provide reasonable protection against harmful interference when the equipment is operated in a commercial environment. This equipment generates, uses, and can radiate radio frequency energy, and if it is not installed and used in accordance with the instruction manual, it may cause harmful interference to radio communications. Operation of this equipment in a residential area is likely to cause harmful interference, in which case the user will be required to correct the interference at his own expense.

**Shielded Cables:** Connections between the workstation and peripherals must be made using shielded cables to comply with FCC radio frequency emission limits. Networking connections can be made using unshielded twisted-pair (UTP) cables.

**Modifications:** Any modifications made to this device that are not approved by Sun Microsystems, Inc. may void the authority granted to the user by the FCC to operate this equipment.

## FCC Class B Notice

This device complies with Part 15 of the FCC Rules. Operation is subject to the following two conditions:

1. This device may not cause harmful interference.
2. This device must accept any interference received, including interference that may cause undesired operation.

**Note:** This equipment has been tested and found to comply with the limits for a Class B digital device, pursuant to Part 15 of the FCC Rules. These limits are designed to provide reasonable protection against harmful interference in a residential installation. This equipment generates, uses and can radiate radio frequency energy and, if not installed and used in accordance with the instructions, may cause harmful interference to radio communications. However, there is no guarantee that interference will not occur in a particular installation. If this equipment does cause harmful interference to radio or television reception, which can be determined by turning the equipment off and on, the user is encouraged to try to correct the interference by one or more of the following measures:

- Reorient or relocate the receiving antenna.
- Increase the separation between the equipment and receiver.
- Connect the equipment into an outlet on a circuit different from that to which the receiver is connected.
- Consult the dealer or an experienced radio/television technician for help.

**Shielded Cables:** Connections between the workstation and peripherals must be made using shielded cables in order to maintain compliance with FCC radio frequency emission limits. Networking connections can be made using unshielded twisted pair (UTP) cables.

**Modifications:** Any modifications made to this device that are not approved by Sun Microsystems, Inc. may void the authority granted to the user by the FCC to operate this equipment.

## ICES-003 Class A Notice - Avis NMB-003, Classe A

This Class A digital apparatus complies with Canadian ICES-003.

Cet appareil numérique de la classe A est conforme à la norme NMB-003 du Canada.

## ICES-003 Class B Notice - Avis NMB-003, Classe B

This Class B digital apparatus complies with Canadian ICES-003.

Cet appareil numérique de la classe B est conforme à la norme NMB-003 du Canada.


## VCCI 基準について

### クラス A VCCI 基準について

クラス A VCCI の表示があるワークステーションおよびオプション製品は、クラス A 情報技術装置です。これらの製品には、下記の項目が該当します。

この装置は、情報処理装置等電波障害自主規制協議会 (VCCI) の基準に基づくクラス A 情報技術装置です。この装置を家庭環境で使用すると電波妨害を引き起こすことがあります。この場合には使用者が適切な対策を講ずるよう要求されることがあります。

### クラス B VCCI 基準について

クラス B VCCI の表示  があるワークステーションおよびオプション製品は、クラス B 情報技術装置です。これらの製品には、下記の項目が該当します。

この装置は、情報処理装置等電波障害自主規制協議会 (VCCI) の基準に基づくクラス B 情報技術装置です。この装置は、家庭環境で使用することを目的としていますが、この装置がラジオやテレビジョン受信機に近接して使用されると、受信障害を引き起こすことがあります。取扱説明書に従って正しい取り扱いをしてください。

## BSMI Class A Notice

The following statement is applicable to products shipped to Taiwan and marked as Class A on the product compliance label.

警告使用者：  
這是甲類的資訊產品，在居住的環境中使用時，可能會造成射頻干擾，在這種情況下，使用者會被要求採取某些適當的對策。





# Contents

---

|  |                |
|--|----------------|
| <b>Sun Enterprise 450 Server Product Notes</b> | <b>en-1</b>    |
| Sun Enterprise 450 サーバーご使用にあたって                | <b>ja-1</b>    |
| <b>Sun Enterprise 450 Server 제품 메모</b>         | <b>ko-1</b>    |
| <b>Sun Enterprise 450 服务器发行说明</b>              | <b>zh-1</b>    |
| <b>Sun Enterprise 450 伺服器產品說明</b>              | <b>zh_TW-1</b> |



# Sun Enterprise 450 Server Product Notes

---

These Product Notes contain late-breaking product information that is not included in the system or the multimedia documentation for Sun Enterprise™ 450 servers. Included in these Product Notes are the following topics:

- “Verifying Support for 480-MHz CPU Modules” on page 2
- “Identifying the OpenBoot Firmware Image Revision” on page 3
- “Identifying UltraSPARC II CPU Modules” on page 4
- “Configuring the CPU Modules” on page 5
- “Removing or Installing a CPU Module” on page 5
- “Removing and Replacing the CPU Air Guide” on page 6
- “Main Logic Board Jumpers” on page 12
- “Opening and Closing the Removable Media Assembly Door” on page 14
- “Removing or Installing the NVRAM Module” on page 15
- “Determining Your Power Supply Needs” on page 15
- “Power Supply Memory Latch Function” on page 17
- “System Software Requirements” on page 17
- “SPARCstorage MultiPack Units” on page 18
- “Environmental Requirements” on page 18
- “Installing the SCSI Drive Data Cable” on page 19
- “Attaching an Alphanumeric Terminal” on page 20
- “Rackmounting the Sun Enterprise 450 Server” on page 21
- “Connecting Rackmounted Peripherals” on page 21
- “Electromagnetic Compatibility” on page 22
- “Upper Blower Assembly” on page 23
- “Power Interlock” on page 23

- “Illustrated Parts Breakdown” on page 24

---

## Verifying Support for 480-MHz CPU Modules

To verify that your server supports the 480-MHz CPU modules, you can use a UNIX<sup>®</sup> command, or you can find out at the `ok` prompt.

From a Console or from a Command window:

- **Type the following command at the UNIX prompt:**

```
% /usr/sbin/prtconf -pv | grep "501-5673"
```

If the number returned is 501-5673, go to the Section “Identifying UltraSPARC II CPU Modules” on page 4 of this guide.

If no number is returned, the system board is not part number 501-5673. You cannot install the new UltraSPARC II 480-MHz CPU module into the current main logic board. Contact your Sun<sup>™</sup> sales representative about ordering a board upgrade. Follow the board and CPU module installation instructions in the *Sun Enterprise 450 Server Board Upgrade Guide*.

If the `ok` prompt is displayed:

1. **Type the following command:**

```
ok cd /
```

2. **Type the following command for the list of data about the system:**

```
ok .prp
```

Examine the output listed for the `model` property. If the system board is not part number 501-5673, or if there is no part number listing, you cannot install the new UltraSPARC II 480-MHz CPU module. Contact your Sun sales representative about ordering a board upgrade. Follow the board and CPU module installation instructions in the *Sun Enterprise 450 Server Board Upgrade Guide*.

If the system board number is 501-5673, go to the section “Identifying UltraSPARC II CPU Modules” on page 4 of this guide.

---

## Identifying the OpenBoot Firmware Image Revision

To verify that your server supports the 480-MHz CPU modules, you can use a UNIX command, or you can find out from the `ok` prompt.

From a UNIX Console or from a Command window:

- **Type the following command at the UNIX prompt:**

```
% /usr/sbin/prtconf -v | grep OBP
```

From the `ok` prompt:

- **Type the following command at the `ok` prompt:**

```
ok .version
```

If the version returned is 3.18 or a higher compatible version, your firmware will support the faster modules. See the section “Verifying Support for 480-MHz CPU Modules” on page 2. If the version returned is lower than 3.18, you must flash update the OpenBoot™ firmware.

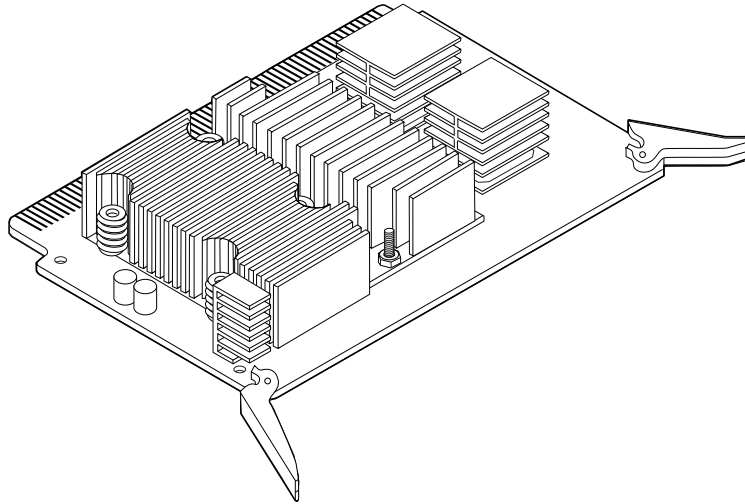
Contact the SunSolve™ Online web site at the URL <http://sunsolve.Sun.COM> for information about performing a flash update to your system's firmware.

To download a flash update, log in to the SunSolve Online web page. Click “Patches.” On the next page, click “Find Patch,” search for patch number 106503, and follow the on-screen instructions.

---

## Identifying UltraSPARC II CPU Modules

The Sun Enterprise 450 server supports up to four 250-MHz, up to four 300-MHz, up to four 400-MHz, or up to four 480-MHz UltraSPARC™ II CPU modules. The following figure shows the new unshrouded 480-MHz UltraSPARC II CPU module that has 8 Mbytes of integrated cache memory.



Before installing the CPU module, verify that each new module is one of the following UltraSPARC II modules for Sun Enterprise 450 servers. The following table identifies CPU module speeds.

| CPU Module Speed (MHz) | Part Number          |
|------------------------|----------------------|
| 250-MHz UltraSPARC II  | 501-4857 or 501-4278 |
| 300-MHz UltraSPARC II  | 501-4849 or 501-4196 |
| 400-MHz UltraSPARC II  | 501-5239 or 501-5446 |
| 480-MHz UltraSPARC II  | 501-5729             |

---

## Configuring the CPU Modules

Before configuring the CPU module(s), determine if your system will support the power requirements of the new configuration. Review the “System Power Requirements Worksheet” on page 16 of this guide, and see the section “How to Determine System Power Requirements” in the *Ultra Enterprise 450 Server Owner’s Guide*.



---

**Caution** – All CPU modules installed in a system must operate at identical clock speeds.

---

Configure the UltraSPARC II CPU modules in your server according to the rules in the section “About CPU Modules” in the *Ultra Enterprise 450 Server Owner’s Guide*.

If your system has two power supplies, and you do not need a redundant power supply, follow the instructions in the next section, “Removing or Installing a CPU Module.”

---

## Removing or Installing a CPU Module

Before removing or installing CPU modules, read the section “About CPU Modules” in the *Ultra Enterprise 450 Server Owner’s Guide*.



---

**Caution** – Before you install any CPU module, read the section “Main Logic Board Jumpers” on page 12, and verify that the jumper setting is correct for the speed of the CPU module you are installing. Serious system damage can result if your main logic board clock mode jumper is set incorrectly.

---

To remove or install CPU modules in the Sun Enterprise 450 server, follow the instructions in the sections “How to Remove a CPU Module” and “How to Install a CPU Module” in the *Ultra Enterprise 450 Server Owner’s Guide*.

---

**Note** – The 480-MHz CPU module requires a CPU air guide. For instructions on removing and installing the CPU air guide, see “Removing and Replacing the CPU Air Guide” on page 6.

---

---

**Note** – Before you install the fourth CPU module in the top CPU slot (CPU-A1), remove the blank baffle installed in the connector (J0101). Grasp the blank baffle by the front handle and slide it out of the CPU slot.

---

---

## Removing and Replacing the CPU Air Guide

An air guide is installed on all 501-5673 main logic boards. The following sections describe how to remove and replace the CPU air guide.



---

**Caution** – The air guide is essential for proper system cooling. Do not start up the system without the air guide installed.

---

### How to Remove the CPU Air Guide

You must remove the air guide before removing or installing CPU modules.



---

**Caution** – This procedure must be performed by a qualified service-trained maintenance provider. Persons who remove any of the outer panels to access this equipment must observe all safety precautions and comply with skill-level requirements, certification, and all applicable local and national laws.

---

### Before You Begin

Complete these tasks as described in the *Ultra Enterprise 450 Server Owner's Guide*:

- “How to Power Down the System”
- “How to Remove the Left Side Panel”
- “How to Avoid Electrostatic Discharge”

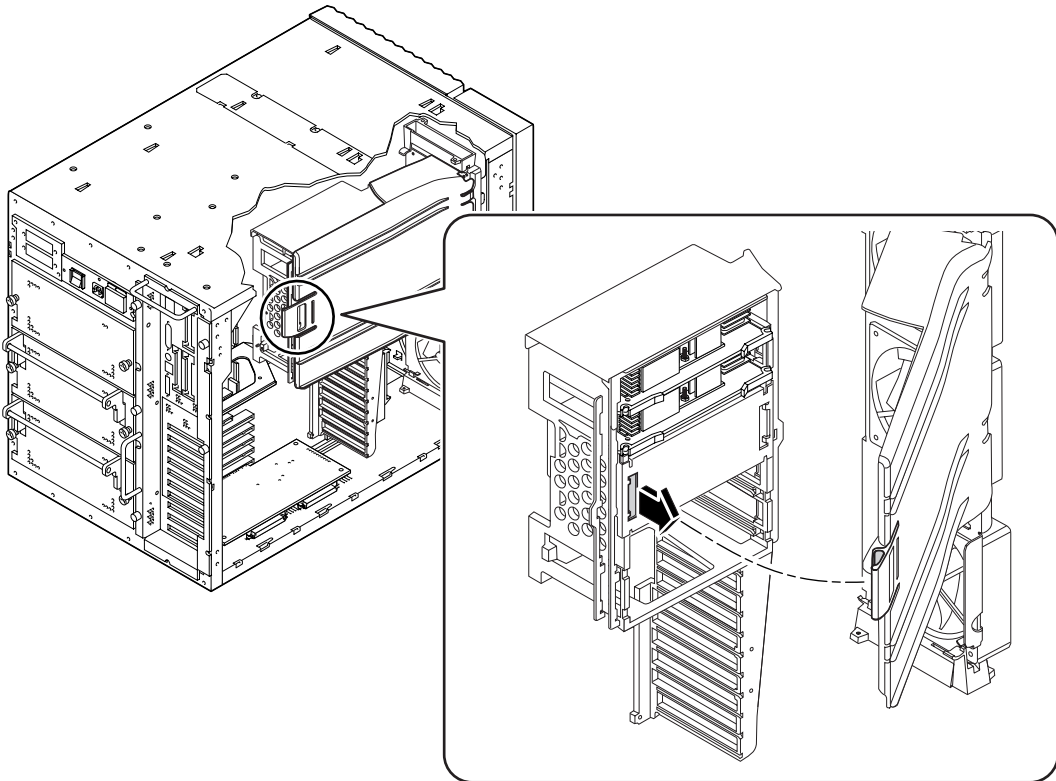


## What to Do

To remove the CPU air guide, do the following:

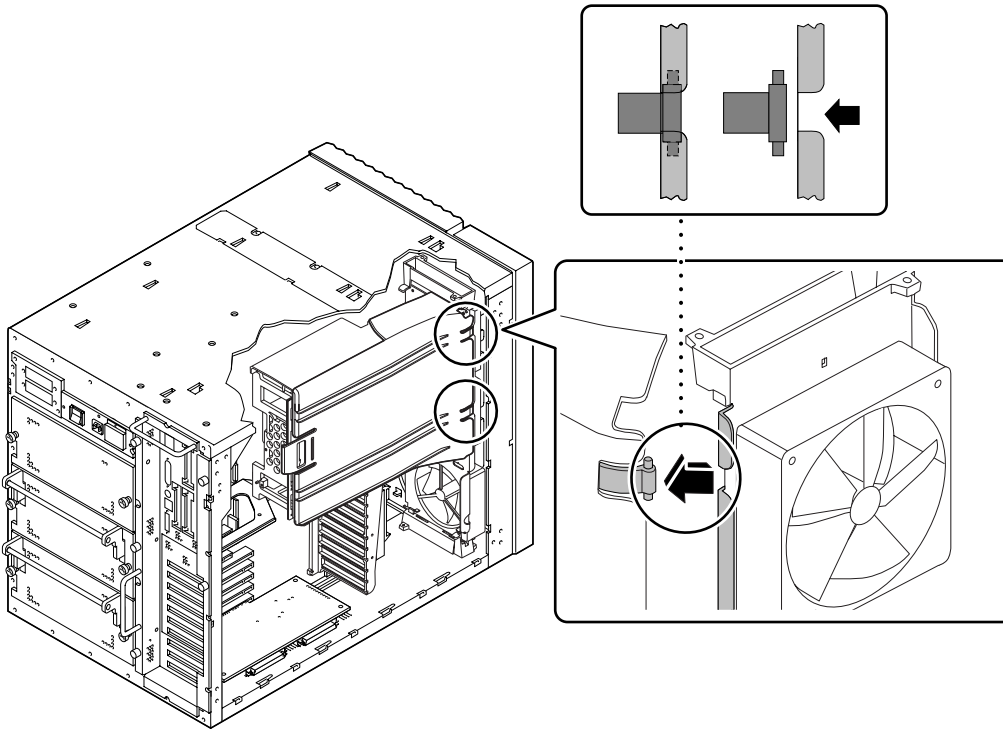
1. Carefully pull the left side latch toward you and swing the air guide out.

The air guide latch should release from its catch on the main logic board Y-bracket.



**2. Unhook the air guide tabs from the CPU fan tray assembly.**

Slide the air guide toward the front of the chassis to release it from the CPU fan tray assembly.



## What Next

See “Removing or Installing a CPU Module” on page 5 and the *Ultra Enterprise 450 Server Owner’s Guide* for instructions on removing or installing CPU modules.

To replace the CPU air guide, complete the following task:

- “How to Replace the CPU Air Guide” on page 9

# How to Replace the CPU Air Guide



---

**Caution** – The air guide is essential for proper system cooling. Do not run the system without the air guide installed.

---



---

**Caution** – This procedure must be performed by a qualified service-trained maintenance provider. Persons who remove any of the outer panels to access this equipment must observe all safety precautions and comply with skill-level requirements, certification, and all applicable local and national laws.

---

## Before You Begin

Complete these tasks, as described in the *Ultra Enterprise 450 Server Owner's Guide*:

- “How to Power Down the System”
- “How to Remove the Left Side Panel”
- “How to Avoid Electrostatic Discharge”

In addition, complete the following task:

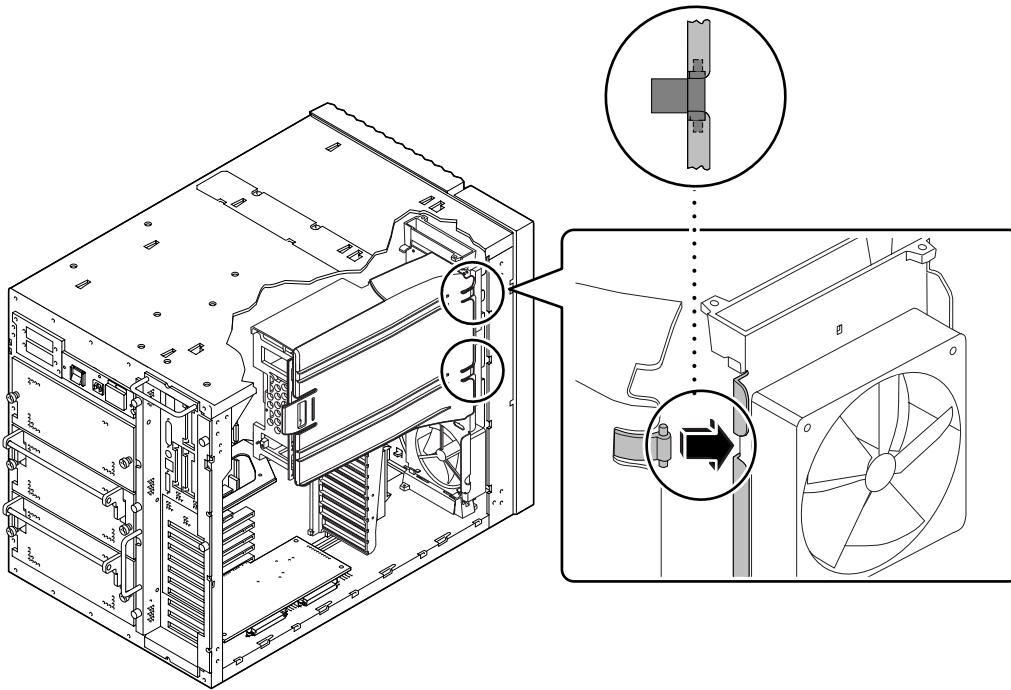
- “How to Remove the CPU Air Guide” on page 6 of this document

## What to Do

To replace the CPU air guide, do the following:

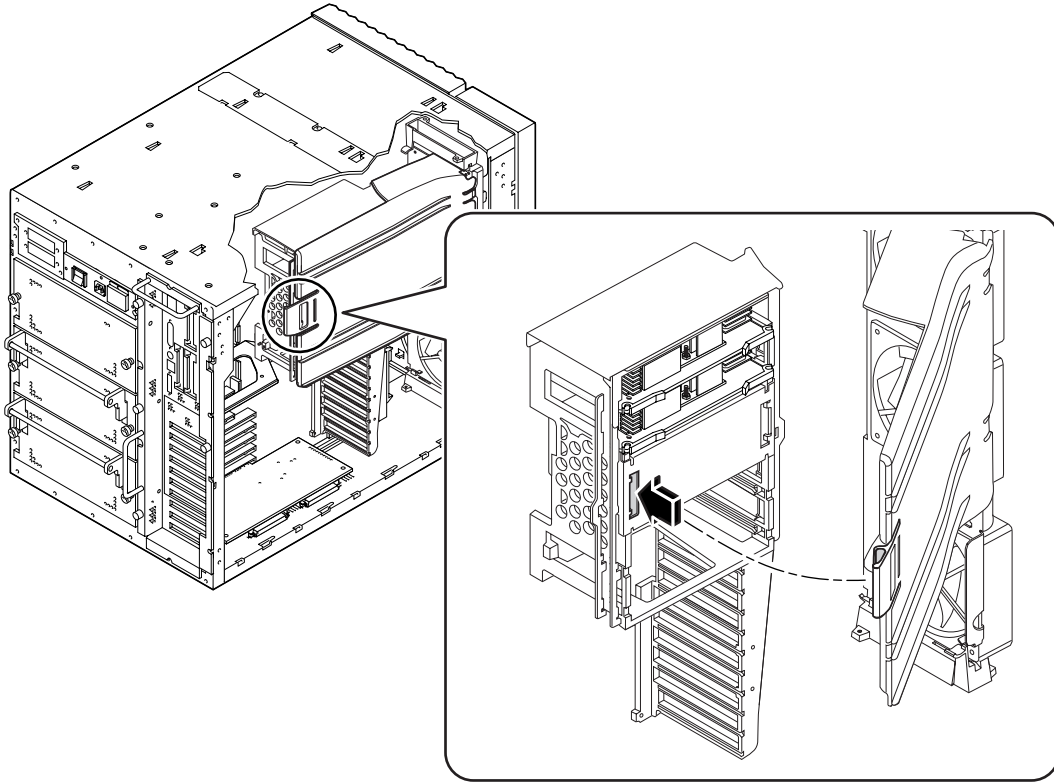
- 1. Hook the air guide tabs under the slots in the CPU fan tray assembly.**

The air guide must be held at an angle to provide enough clearance to hook the tabs under the slots in the CPU fan tray assembly.



- 2. Slide the air guide toward the rear of the chassis to secure the air guide tabs to the CPU fan tray assembly.**

3. Swivel the air guide against the Y-bracket on the main logic board and snap the latch closed.



## What Next

See the *Ultra Enterprise 450 Server Owner's Guide* for instructions on reassembling and restarting the system.

---

# Main Logic Board Jumpers

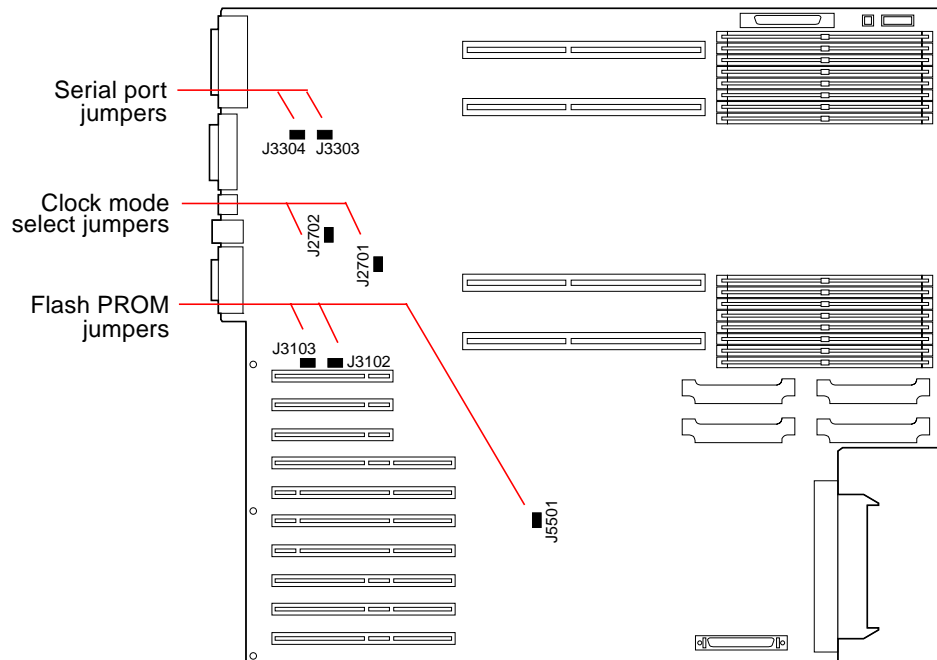
The following information supersedes the information presented in the *Ultra Enterprise 450 Server Owner's Guide* concerning main logic board jumpers.

---

**Note** – Contrary to the table in the section “About the Clock Mode Select Jumper,” the clock mode select jumpers (J2701 and J2702) are now used on the Sun Enterprise 450 server main logic board (501-5673).

---

The following figure shows the location of the clock mode select jumpers on the main logic board.



Set the clock mode jumper shunt at addresses J2701 and J2702 to correspond to the speed of your UltraSPARC II CPU module(s). Verify that the jumper setting is correct before starting the system.

| Clock Speed | J2701 | J2702 |
|-------------|-------|-------|
| 250 MHz     | 1 + 2 | 2 + 3 |
| 300 MHz     | 1 + 2 | 2 + 3 |
| 400 MHz     | 2 + 3 | 2 + 3 |
| 480 MHz     | 2 + 3 | 1 + 2 |

The table describing the settings for the three flash PROM jumpers is incorrect. The corrected table appears below.

| Jumper | Shunt on Pins 1 + 2 Selects | Shunt on Pins 2 + 3 Selects | Default Shunt on Pins | Signal Controlled      |
|--------|-----------------------------|-----------------------------|-----------------------|------------------------|
| J3102  | Flash PROM                  | Not To Be Used              | 1 + 2                 | FLASH PROM SEL         |
| J3103  | Write Protect               | Write Enable                | 2 + 3                 | FLASH PROM PROG ENABLE |
| J5501  | High Half Booting           | Normal Booting              | 2 + 3                 | XOR LOGIC SET          |

---

## Opening and Closing the Removable Media Assembly Door

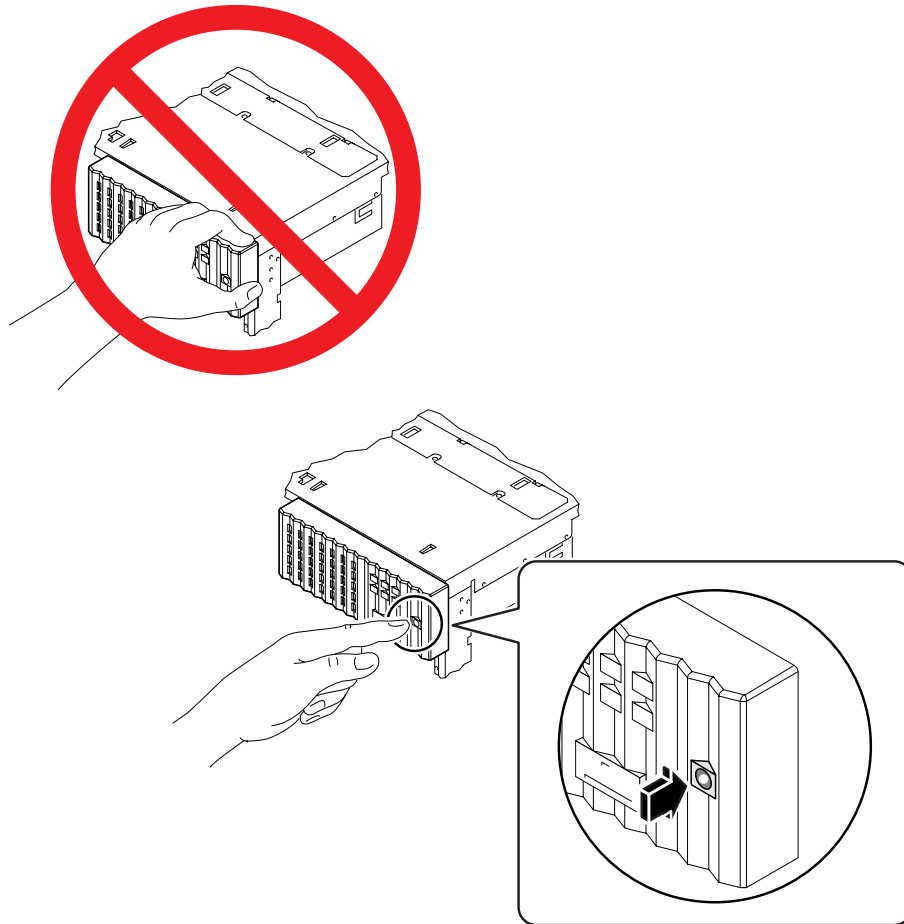
To open the removable media assembly door, press the button on the right side of the door.



---

**Caution** – Do not pull on the removable media assembly door. Pulling on the door can break its latch.

---



To close the removable media assembly door, press the button on the right side of the door.



---

## Removing or Installing the NVRAM Module



---

**Caution** – Before removing or installing an NVRAM module on the main logic board, be sure to disconnect the board from its power connector. Failure to do so could corrupt the information stored in the NVRAM module and adversely affect operation of the system. To disconnect the main logic board from its power connector, loosen the captive screws that secure the board to the system rear panel, and pull the handles at the rear of the board until the board is fully disengaged from its power connector.

---

---

## Determining Your Power Supply Needs

The minimum configuration of the Sun Enterprise 450 server now includes two power supplies, which provide sufficient power for all supported configurations.

---

**Note** – If your system configuration requires redundant power, you may need to add a third power supply.

---

## System Power Requirements Worksheet

The following information is an addition to the section “System Power Requirements Worksheet” in the *Ultra Enterprise 450 Server Owner’s Guide*. Use the following table for your power requirement calculations if you are installing any of the following components:

- 480-MHz CPU module with 8-Mbyte Ecache
- 400-MHz CPU module with 4-Mbyte Ecache
- SunCD™ 32 CD-ROM
- DVD ROM
- 18-Gbyte hard disk drive
- 36-Gbyte hard disk drive
- DDS4 tape drive

| Line No.                               | Option   | Qty | +3.3 VDC Amps | Total Amps @ 3.3 V | +5 VDC Amps | Total Amps @ 5 V | +12 VDC Amps | Total Amps @ 12 V |
|--|--|-----|---------------|--------------------|-------------|------------------|--------------|-------------------|
| <b>CPU Options</b>                     |  |     |               |                    |             |                  |              |                   |
|  | 480 MHz CPU with 8 MB Ecache and DC/DC converter |     | 7.5           |                    | 6.7         |                  |              |                   |
|  | 400 MHz CPU with 4 MB Ecache and DC/DC converter |     | 5.0           |                    | 5.6         |                  |              |                   |
| <b>Internal Storage Device Options</b> |  |     |               |                    |             |                  |              |                   |
|  | SunCD 32 CD-ROM                                  |     |               |                    | 0.55        |                  | 0.61         |                   |
|  | DVD ROM  |     |               |                    | 0.42        |                  | 0.51         |                   |
|  | 18 GB hard disk drive                            |     |               |                    | 0.8         |                  | 0.5          |                   |
|  | 36 GB hard disk drive                            |     |               |                    | 0.8         |                  | 0.5          |                   |
|  | DDS4 tape drive                                  |     |               |                    | 0.9         |                  | 0.5          |                   |

---

## Power Supply Memory Latch Function

The Sun Enterprise 450 power supply has a memory latch function that allows the power supply to “remember” its last power on/off state in response to a power outage or removal of the AC power cord. This feature allows the power supply to resume operation automatically once power is restored. It also enables hot-swapping of power supplies.

Under some circumstances, this feature can be misdiagnosed as a power supply failure. If you remove a power supply from a system that is powered off and attempt a hot-plug installation into a system that is powered on, the power supply will remain in the Off state. This should not be interpreted as a power supply failure. To activate the power supply, simply turn the front panel keyswitch from the Power-On position to the Diagnostics position, and then back to the Power-On position. Alternatively, you may press the Power-On key on a Sun Type-5 keyboard attached to the system.

---

## System Software Requirements

The Sun Enterprise 450 server requires Solaris 2.5.1 Hardware: 11/97, Solaris 2.6 Hardware: 5/98, Solaris 7, Solaris 8, or a subsequent compatible Solaris release. To verify that the proper version of the operating environment is installed on your Sun Enterprise 450 server, examine the file `/etc/release`. The file should, for example, contain the text “Solaris 2.5.1 Hardware: 11/97” or it should identify a later compatible Solaris release.

For more information on software compatibility, read the Sun publication, *Installing Solaris Software for Selected Hardware* (806-4005), shipped with the Operating Environment Installation CD.

Any patches required for your Solaris software release can be found at the SunSolve Online web site at the URL:

<http://sunsolve.Sun.COM/>

---

## SPARCstorage MultiPack Units

A compatibility issue exists between the Sun Enterprise 450 server's embedded or expansion PCI SCSI host bus adapters (HBAs) and some older Fast/Wide SCSI SPARCstorage™ MultiPack (SMP) units that may contain UltraSCSI (Fast-20) capable drives. The HBAs available on Sun Enterprise 450 servers default to use UltraSCSI operation when UltraSCSI devices are present. However, some SPARCstorage MultiPack units (both 6- and 12-drive versions) do not support UltraSCSI operation. Attempting to use such a configuration can lead to reduced SCSI bus performance and potential system panic.

Workaround: Prior to using this configuration, disable the UltraSCSI mode for each controller instance to which a SMP is attached. Refer to the `pci(4)`, `glm(7D)`, and `isp(7D)` man pages for details.

---

**Note** – An alternative workaround method involving a global SCSI option change through `/etc/system` would result in loss of UltraSCSI mode on internal system disk backplanes.

---

This issue does not exist with 6-drive SPARCstorage MultiPack 2 systems, which are UltraSCSI capable.

---

## Environmental Requirements

The following information is an addition to the section “Environmental Requirements” in Appendix B “System Specifications” in the *Ultra Enterprise 450 Server Owner's Guide*.

---

| Parameter   | Value  |
|-------------|--|
| Operating   |  |
| Temperature | 5°C to 40°C <sup>1</sup> (41°F to 95°F)—IEC 68-2-1, 68-2-2 |
| Altitude    | 0 to 3000 meters (0 to 10,000 feet)—IEC 68-2-40, 68-2-41   |

---

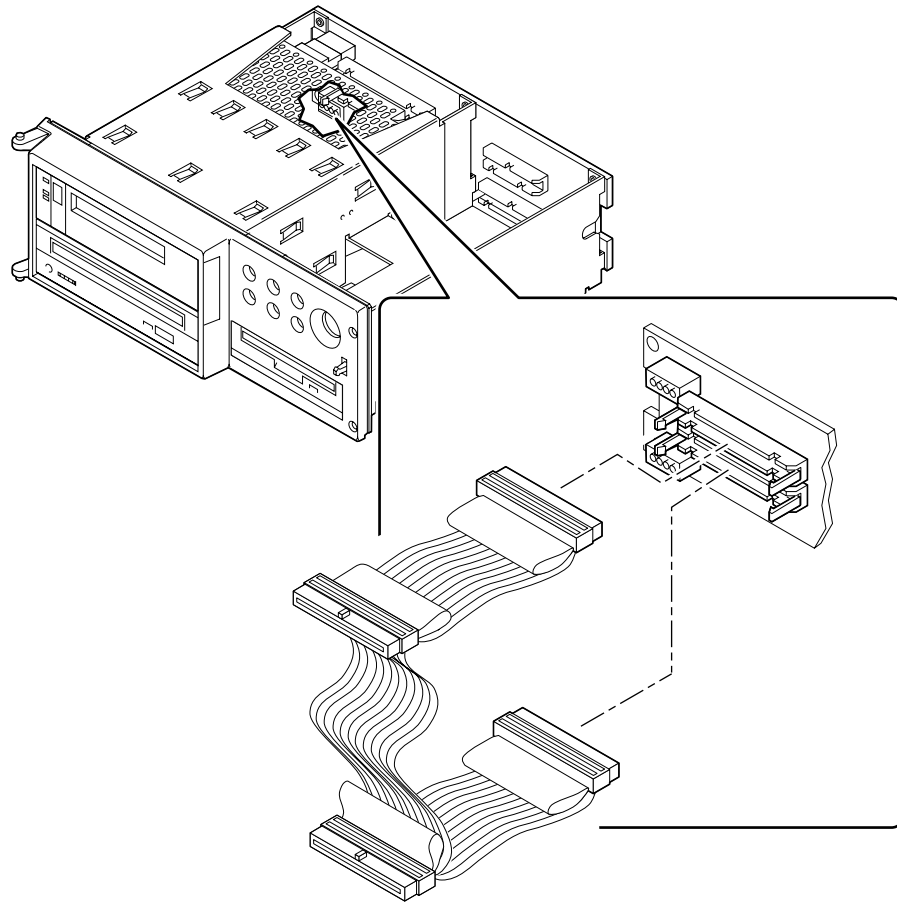
1. With one or more 400-MHz modules installed, above 1500 meters (5000 feet) the supported maximum ambient operating temperature declines from 40°C (95°F) at a rate of 0.8°C (1.44°F) per 304.8 meters (1000 feet) up to 3000 meters (10,000 feet).

---

## Installing the SCSI Drive Data Cable

The *Ultra Enterprise 450 Server Owner's Guide* and *ShowMe How Multimedia* application incorrectly show how to install the SCSI drive data cable in the removable media assembly. Procedures documented in both show that the connectors at each end of the cable are connected to the SCSI devices, and the two connectors in the middle of the cable attach to the removable media backplane. These procedures are incorrect.

The correct way to install the cable is with the two free ends of the cable connected to the removable media backplane, as shown below.



Refer to this illustration when performing the following procedures described in the *Ultra Enterprise 450 Server Owner's Guide* and the corresponding procedures in the *ShowMe How Multimedia* application:

- “How to Remove the Removable Media Backplane”
- “How to Install the Removable Media Backplane”
- “How to Remove a CD-ROM Drive or Tape Drive”
- “How to Install a CD-ROM Drive or Tape Drive”
- “How to Remove the SCSI Drive Data Cable”
- “How to Install the SCSI Drive Data Cable”

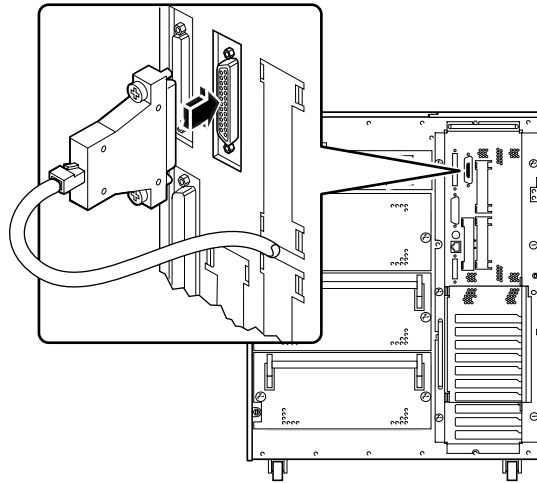
---

**Note** – There is no adverse effect on system operation or performance if the cable is installed according to the original instructions in the *Ultra Enterprise 450 Server Owner's Guide* and *ShowMe How Multimedia* application. However, the cable is easier to install, and less prone to damage during installation, if you install it as shown in these Product Notes.

---

## Attaching an Alphanumeric Terminal

The illustration in the *Ultra Enterprise 450 Server Owner's Guide* incorrectly identifies the location of the serial port connector on the server's back panel. The correct location is shown below.



---

## Rackmounting the Sun Enterprise 450 Server

An optional rackmounting kit is available for installing a Sun Enterprise 450 server into a EIA standard 19-inch rack. For additional details, contact your Sun authorized sales representative.

Rackmount placement information for the Sun Enterprise 450 server is available through the Web at the URL:

<http://docs.sun.com>

Click on “Storage & Peripherals” in the Hardware section and open the *Rackmount Placement Matrix*.

---

**Note** – Before installing the Sun Enterprise 450 server in a Sun Enterprise Expansion Cabinet, be sure to remove the kick plate at the bottom rear of the cabinet. Removing the kick plate allows two Sun Enterprise 450 servers to fit inside the cabinet. For additional details, see the documentation supplied with the Sun Enterprise Expansion Cabinet.

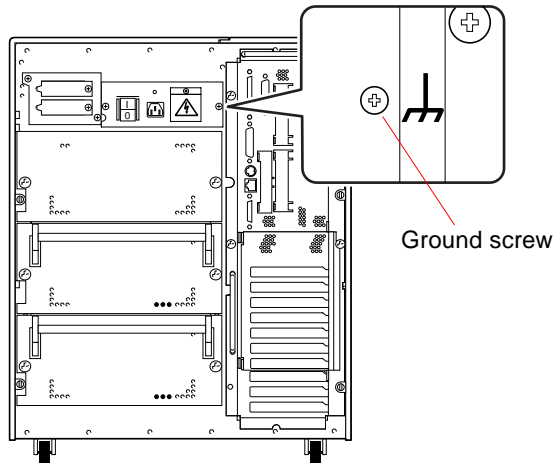
---

---

## Connecting Rackmounted Peripherals

When connecting a desktide Sun Enterprise 450 server to any rackmounted peripheral, be sure to connect an appropriate grounding strap between the server and the rack enclosure. This strap prevents ground loops between the two systems and guards against possible data loss.

A grounding strap is typically provided with the rack enclosure. Attach one end of the strap to the designated ground point on your rack enclosure, according to the instructions provided with the enclosure. Attach the other end to the ground screw on the Sun Enterprise 450 server, as shown in the next figure. Be sure to tighten the ground screw completely to ensure a good connection.



---

**Caution** – The ground screw on the Sun Enterprise 450 server is a critical component for providing protection against electrical hazard in the event of a system power fault. Failure to replace and completely tighten the ground screw could result in a hazardous condition.

---

## Electromagnetic Compatibility

The Sun Enterprise 450 server system meets the Class A requirements for electromagnetic interference (EMI) conforming to international standards. Some of these standards are noted in the “Declaration of Conformity” in the “Regulatory Compliance Statements” at the beginning of this document.





---

**Caution** – Please read the sections that apply to Class A equipment in the “Regulatory Compliance Statements” at the beginning of this document. There are several measures you can take to correct interference problems. For additional correction details, see the FCC Class B Notice in the “Regulatory Compliance Statements.”

---

---

## Upper Blower Assembly

The upper blower assembly (part number 540-3023) is no longer a part of the Sun Enterprise 450 server; however, the procedures contained in the *Ultra Enterprise 450 Server Owner’s Guide* and *ShowMe How Multimedia* application assume that this part is present. For any procedure that involves removal of the main logic board, the instructions say to disconnect the upper blower cable from the main logic board before removing the board. Since your system does not include an upper blower assembly, you can safely ignore this step.

---

## Power Interlock

The Sun Enterprise 450 server features a power interlock safety mechanism. Removing either of the system side panels activates the system power interlock switches. This safety mechanism prevents DC voltages from reaching any internal component when either side panel is removed and the AC power switch is left on. Do not remove either side panel while the system is running. Doing so will cause the system to power off abruptly.

---

## Illustrated Parts Breakdown

The following information is an addition to the table in the *Ultra Enterprise 450 Server Owner's Guide*.

---

**Note** – Part numbers listed in this section are correct as of the publication date of these Product Notes but are subject to change without notice. Consult your authorized Sun sales representative or service provider to confirm a part number prior to ordering a replacement part.

---

| Category                        | Replacement Part                         | Part Number           |
|---------------------------------|--|-----------------------|
| Main Logic Board and Components | Main Logic Board, 250 and 300 MHz        | 501-5270              |
|                                 | Main Logic Board, 400 MHz                | 501-5672              |
|                                 | Main Logic Board, 480 MHz                | 501-5673              |
|                                 | DIMM, 256 MB, 60 NS                      | 501-4743              |
|                                 | UltraSPARC II CPU (250 MHz, 1 MB Ecache) | 501-4857              |
|                                 | UltraSPARC II CPU (300 MHz, 2 MB Ecache) | 501-4849              |
|                                 | UltraSPARC II CPU (400 MHz, 4 MB Ecache) | 501-5239              |
|                                 | UltraSPARC II CPU (480 MHz, 8 MB Ecache) | 501-5729              |
| Backplanes                      | 8-slot UltraSCSI Backplane               | 501-5274              |
| Storage Devices                 | SunCD 32 CD-ROM Drive                    | 370-3416              |
|                                 | DVD ROM Drive                            | 390-0025              |
|                                 | 9 GB UltraSCSI Disk Drive, 7200 rpm      | 501-3704              |
|                                 | 18 GB UltraSCSI Disk Drive               | 540-4177              |
|                                 | 36 GB UltraSCSI Disk Drive               | 540-4521              |
|                                 | DDS4 Tape Drive                          | 390-0028              |
| Internal Cables                 | LED Interface Cable                      | 530-2363 <sup>1</sup> |

1. Supersedes 530-2362

# Sun Enterprise 450 サーバー ご使用にあたって

---

このマニュアルでは、Sun Enterprise™ 450 サーバーのオンラインマニュアルやその他の文書に記載されていない最新の製品情報を提供します。このマニュアルでは、以下の項目について説明します。

- 2 ページの「480-MHz CPU モジュールのサポートの確認」
- 3 ページの「OpenBoot ファームウェアイメージのバージョンの確認」
- 4 ページの「UltraSPARC II CPU モジュールの識別」
- 5 ページの「CPU モジュールの構成」
- 5 ページの「CPU モジュールの取り外しと取り付け」
- 6 ページの「CPU エアガイドの取り外しと取り付け」
- 13 ページの「メイン論理ボードのジャンパの設定」
- 15 ページの「リムーバブルメディアのアセンブリドアの開閉」
- 16 ページの「NVRAM モジュールの取り外しと取り付け」
- 16 ページの「システムの電力需要の判別」
- 18 ページの「電源装置のメモリーラッチ機能」
- 18 ページの「システムソフトウェアの動作条件」
- 19 ページの「SPARCstorage MultiPack 製品」
- 19 ページの「環境要件」

- 20 ページの「SCSI ドライブデータケーブルの接続」
- 22 ページの「英数字端末の接続」
- 22 ページの「Sun Enterprise 450 サーバーのラックマウント設置」
- 23 ページの「ラックマウントした周辺装置の接続」
- 24 ページの「電磁規格への適合」
- 25 ページの「上部送風装置」
- 25 ページの「電源インターロック」
- 26 ページの「交換部品の詳細」

---

## 480-MHz CPU モジュールのサポートの確認

使用しているサーバーが 480-MHz CPU モジュールをサポートしているかどうかは、UNIX<sup>®</sup> コマンドか ok プロンプトで確認できます。

コンソールまたはコマンドウィンドウで以下を実行します。

- UNIX のプロンプトで以下のコマンドを入力します。

```
% /usr/sbin/prtconf -pv | grep "501-5673"
```

論理ボードのパーツ番号 501-5673 が表示された場合は、4 ページの「UltraSPARC II CPU モジュールの識別」に進んでください。

何も表示されなかった場合、論理ボードのパーツ番号は 501-5673 ではありません。使用中のボードに UltraSPARC II 480-MHz CPU モジュールを新しく取り付けることはできません。ボードのアップグレードについては、購入先にお問い合わせください。ボードと CPU モジュールの取り付け方法については、『Sun Enterprise 450 Server Board Upgrade Guide』を参照してください。

ok プロンプトが表示されている場合は、以下の操作を実行します。

1.次のコマンドを入力します。

```
ok cd /
```

2.次のコマンドを入力して、システムに関するデータの一覧を表示します。

```
ok .prp
```

表示されるメッセージ中の `model` 属性を確認してください。論理ボードのパーツ番号が 501-5673 でない場合 (またはパーツ番号が表示されない場合) は、UltraSPARC II 480-MHz CPU モジュールを新しく取り付けることはできません。ボードのアップグレードについては、購入先にお問い合わせください。ボードと CPU モジュールの取り付け方法については、『Sun Enterprise 450 Server Board Upgrade Guide』を参照してください。

ボードのパーツ番号が 501-5673 の場合は、4 ページの「UltraSPARC II CPU モジュールの識別」に進んでください。

---

## OpenBoot ファームウェアイメージのバージョンの確認

使用しているサーバーが 480-MHz CPU モジュールをサポートしているかどうかは、UNIX® コマンドか `ok` プロンプトで確認できます。

UNIX のコンソールまたはコマンドウィンドウで次のコマンドを実行します。

- 次のコマンドを入力します。

```
% /usr/sbin/prtconf -v | grep OBP
```

`ok` プロンプトで以下を実行します。

- 次のコマンドを入力します。

```
ok .version
```

表示されるバージョンが 3.18 またはそれ以降の互換性のあるバージョンの場合は、ファームウェアは高速のモジュールに対応しています。詳細については、2 ページの「480-MHz CPU モジュールのサポートの確認」を参照してください。3.18 以前のバージョンの場合は、OpenBoot™ ファームウェアを更新する必要があります。

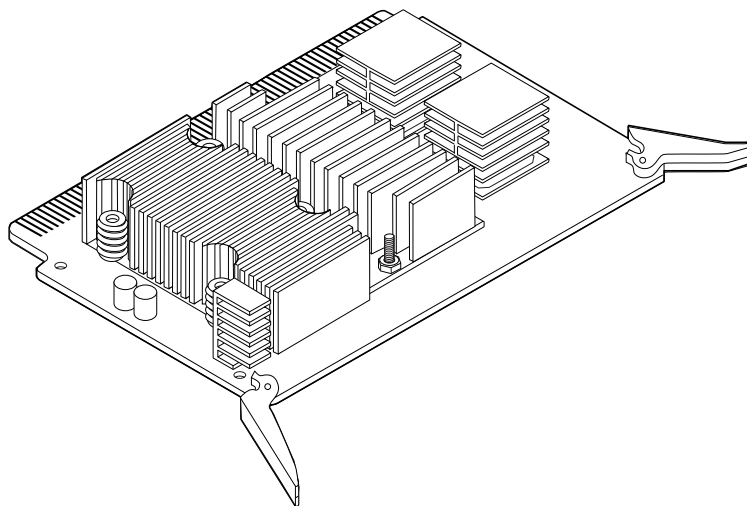
システムのフラッシュ PROM の更新に関する情報については、SunSolve™ Online Web サイト (<http://sunsolve.sun.co.jp/>) を参照してください。この Web サイトでは、Solaris オペレーティング環境および Sun Microsystems™ のハードウェアに推奨されるパッチが無料で提供されます。

フラッシュ PROM 更新用パッチをダウンロードするには、SunSolve Online Web ページにログインして、「パッチ」をクリックします。次のページが表示されたら「パッチ検索」をクリックして、パッチ番号 106503 を検索します。画面上の指示に従ってください。

---

## UltraSPARC II CPU モジュールの識別

Sun Enterprise 450 サーバーは、250-MHz、300-MHz、400-MHz、480-MHz の UltraSPARC™ II CPU モジュールをそれぞれ最大 4 個サポートします。以下の図は、8M バイトの外部キャッシュメモリーを搭載した 480-MHz UltraSPARC II CPU モジュールです。



取り付けの前に CPU モジュールが Sun Enterprise 450 サーバー用の UltraSPARC II モジュールのいずれかに該当していることを確認してください。以下の表に、CPU モジュールの動作速度を示します。

| CPU モジュールの動作速度 (MHz)  | パーツ番号                 |
|-----------------------|-----------------------|
| 250-MHz UltraSPARC II | 501-4857 または 501-4278 |
| 300-MHz UltraSPARC II | 501-4849 または 501-4196 |
| 400-MHz UltraSPARC II | 501-5239 または 501-5446 |
| 480-MHz UltraSPARC II | 501-5729              |

---

## CPU モジュールの構成

CPU モジュールを取り付ける前に、新しい構成がシステムのサポートする電力供給量の範囲内かどうかを確認してください。16 ページの「システムの電力需要の判別」と、『Ultra Enterprise 450 サーバー ユーザーマニュアル』の「電力供給量の制約」の章を参照してください。



---

**注意** – 単一のシステム内で複数の CPU を稼働させる場合、すべての CPU モジュールの動作周波数を必ず同一にしてください。

---

『Ultra Enterprise 450 サーバー ユーザーマニュアル』の「CPU モジュール」の章に記載されている方法に従って、UltraSPARC II CPU モジュールをサーバーに取り付けてください。

システムに 2 系統の電源装置があり、冗長な電源装置が必要ない場合は、次の「CPU モジュールの取り外しと取り付け」の手順に従ってください。

---

## CPU モジュールの取り外しと取り付け

CPU モジュールの取り外しまたは取り付けをする前に、『Ultra Enterprise 450 サーバー ユーザーマニュアル』の「CPU モジュール」の章を読んでください。



---

**注意** - CPU モジュールを取り付ける前に、13 ページの「メイン論理ボードのジャンパの設定」を読み、CPU モジュールの動作周波数とジャンパの設定が正しいことを確認してください。メイン論理ボードのクロックモードジャンパの設定が誤っていると、システムに重大な損傷を及ぼすことがあります。

---

Sun Enterprise 450 サーバーの CPU モジュールの取り外しまたは取り付けをするには、『Ultra Enterprise 450 サーバー ユーザーマニュアル』の「CPU モジュールの取り付け」の章の説明に従ってください。

---

**注** - 480-MHz CPU モジュールには CPU エアガイドが必要です。エアガイドの取り外しおよび取り付け手順については、6 ページの「CPU エアガイドの取り外しと取り付け」を参照してください。

---

---

**注** - 先頭の CPU スロット (CPU-A1) に 4 番目の CPU モジュールを取り付ける場合は、コネクタ (J0101) に緩衝材があればそれを取り除きます。緩衝材の前面ハンドルをつかんで、CPU スロットから抜き取ってください。

---

---

## CPU エアガイドの取り外しと取り付け

エアガイドは、メイン論理ボード (501-5673) 上に取り付けられています。次の節では、CPU エアガイドの取り外しおよび取り付け方法を説明します。



---

**注意** - システムを適切に冷却するためには、CPU エアガイドが必要です。エアガイドが取り付けられていない状態でシステムを起動しないでください。

---

### CPU エアガイドの取り外し

CPU モジュールの取り外しまたは取り付けをする前に、エアガイドを取り外す必要があります。





---

**注意** - この作業は有資格の保守担当者が行ってください。外部パネルを取り外して装置を取り扱う場合は、安全上の注意事項に従ってください。また、作業者は必要とされる技術レベルおよび資格要件を満たし、国とその地域が定める法律や条令に従う必要があります。

---

## 事前の作業

『Ultra Enterprise 450 サーバー ユーザーマニュアル』に記述されている以下の作業を完了してください。

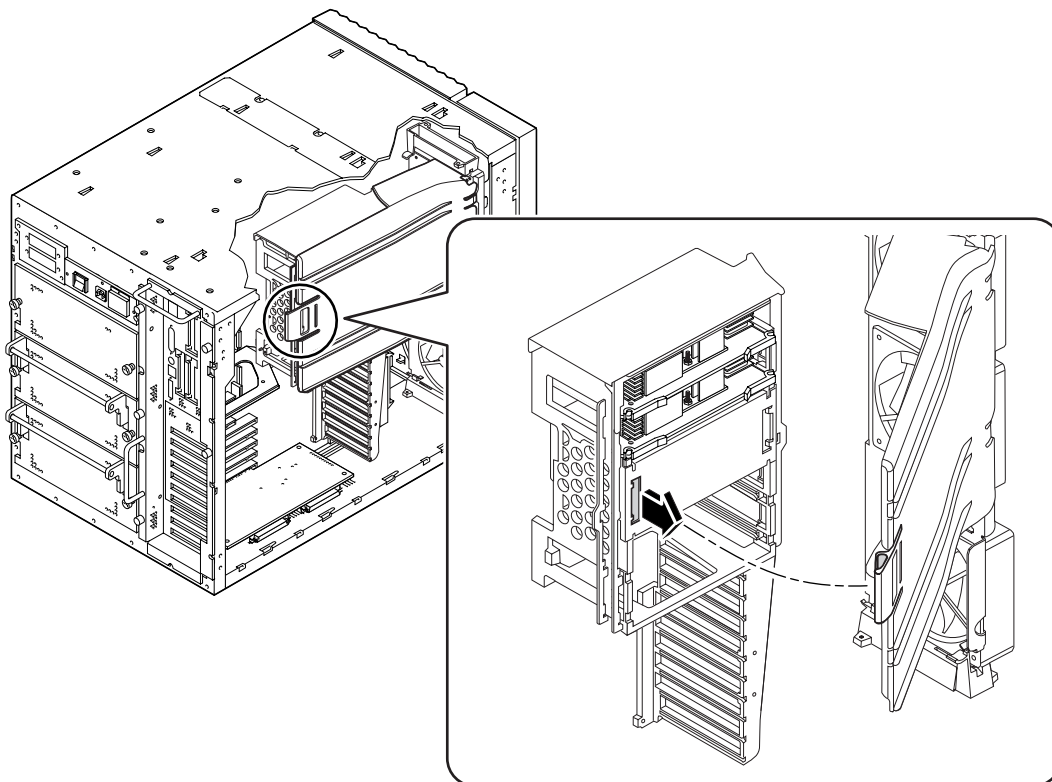
- 「電源の切り方」
- 「左側面パネルの取り外し」
- 「静電気防止対策」

## 取り外し手順

次の手順に従って、CPU エアガイドを取り外します。

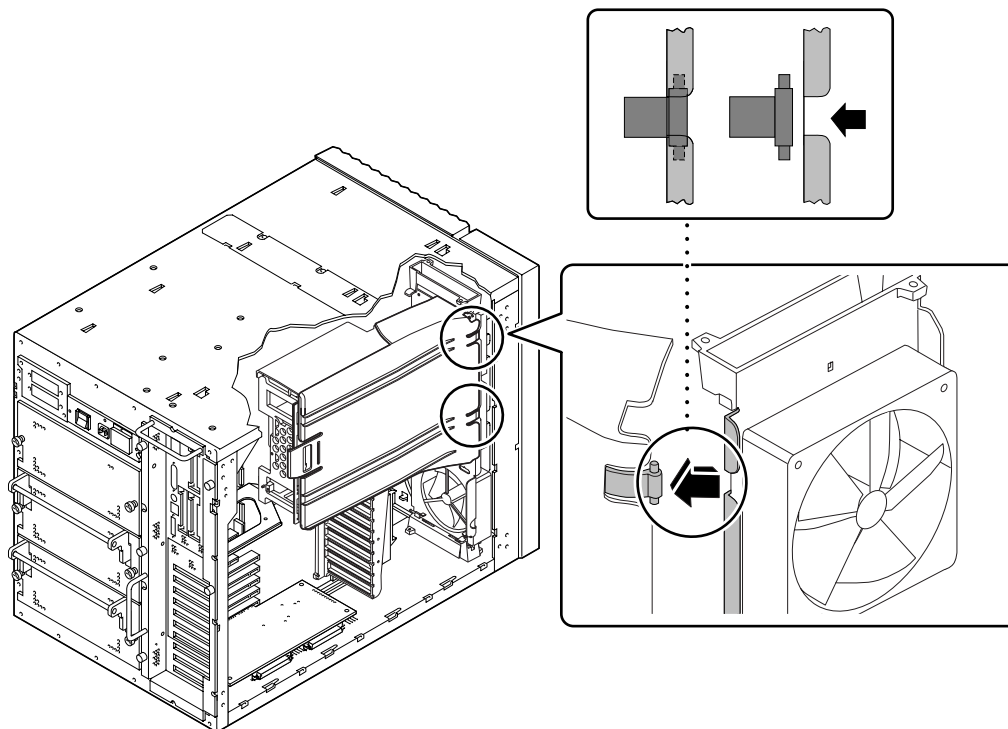
1. 左側のラッチを手前に引いて、エアガイドを開きます。

メイン論理ボードの Y ブラケット上の留め具から、エアガイドのラッチが外れます。



## 2. CPU のファントレイ部品からエアガイドのタブを外します。

エアガイドをシャーシの正面方向にスライドさせて、CPU ファントレイ部品から取り外します。



### 次の手順

CPU モジュールの取り外しまたは取り付けについては、5 ページの「CPU モジュールの取り外しと取り付け」と『Ultra Enterprise 450 サーバー ユーザーマニュアル』を参照してください。

CPU エアガイドを取り付けるには、次の作業を実行してください。

- 10 ページの「CPU エアガイドの取り付け」

## CPU エアガイドの取り付け



---

**注意** - システムを適切に冷却するためには、CPU エアガイドが必要です。エアガイドが取り付けられていない状態でシステムを起動しないでください。

---



---

**注意** - この作業は有資格の保守担当者が行ってください。外部パネルを取り外して装置を取り扱う場合は、安全上の注意事項に従ってください。また、作業者は必要とされる技術レベルおよび資格要件を満たし、国とその地域が定める法律や条令に従う必要があります。

---

### 事前の作業

『Ultra Enterprise 450 サーバー ユーザーマニュアル』に記述されている以下の作業を完了してください。

- 「電源の切り方」
- 「左側面パネルの取り外し」
- 「静電気防止対策」

さらに次の作業も行います。

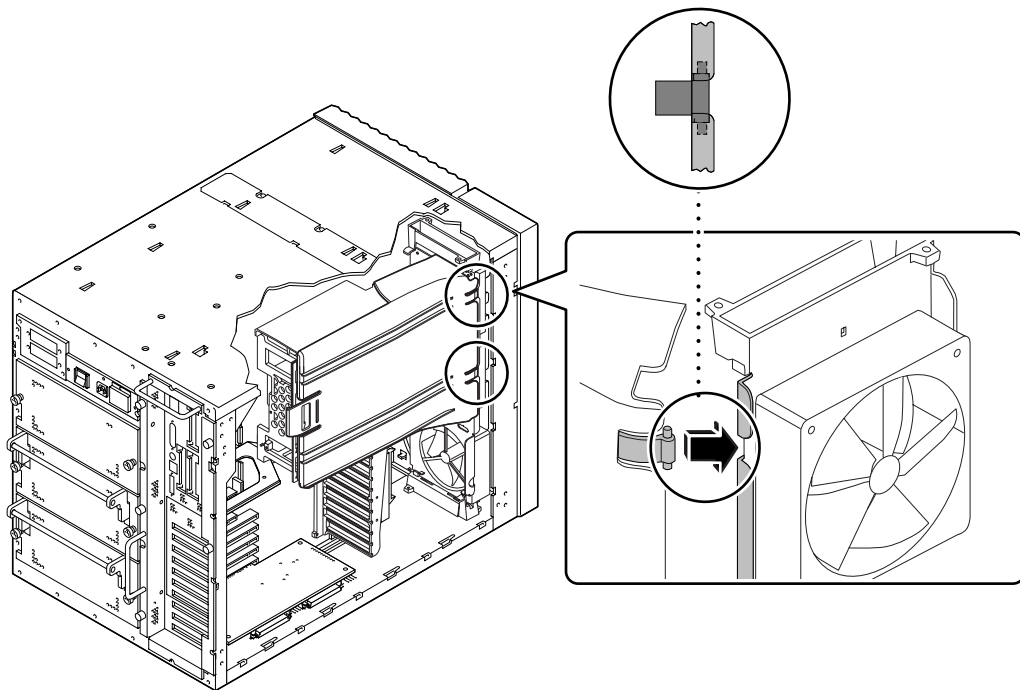
- このマニュアルの 6 ページの「CPU エアガイドの取り外し」

## エアガイドの取り付け

次の手順に従って、エアガイドを取り付けます。

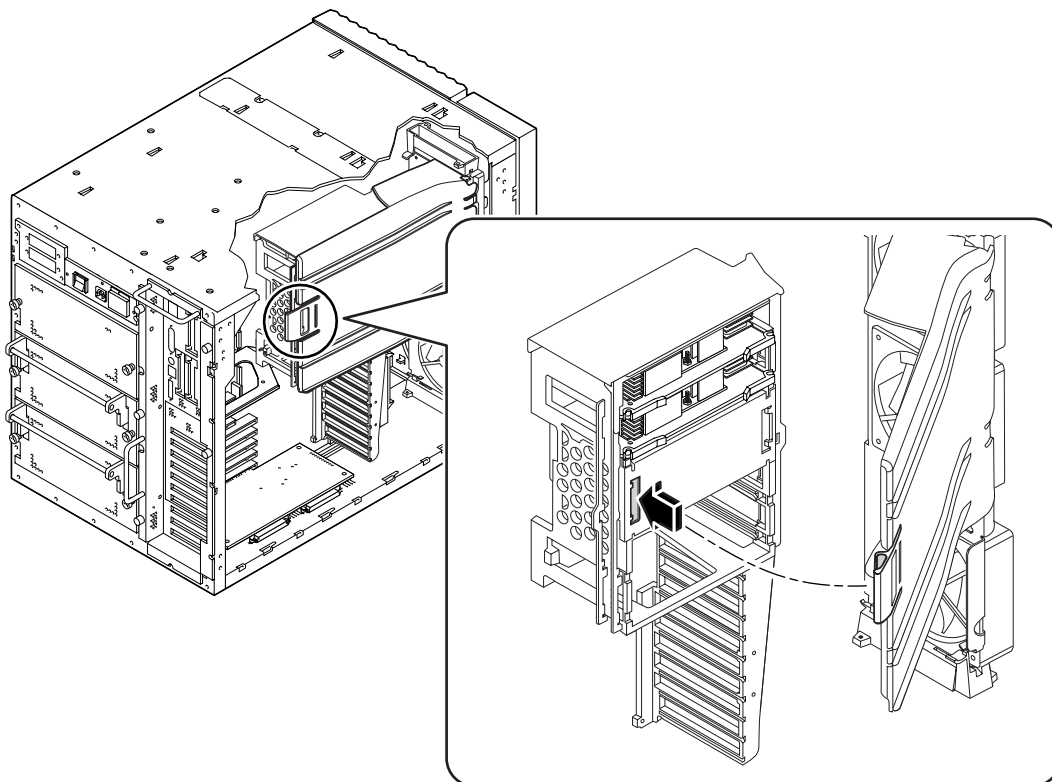
1. CPU ファントレイ部品のスロットの下側にエアガイドのタブを入れます。

エアガイドを斜めに持って十分な空間を作り、CPU ファントレイ部品のスロットの下側にタブを引っ掛けてください。



2. シャーシの背面方向にエアガイドをスライドさせて、CPU ファントレイ部品にエアガイドのタブを固定させます。

3. エアガイドをメイン論理ボード方向に押し、ラッチを Y ブラケットの留め具に固定します。



### 次の手順

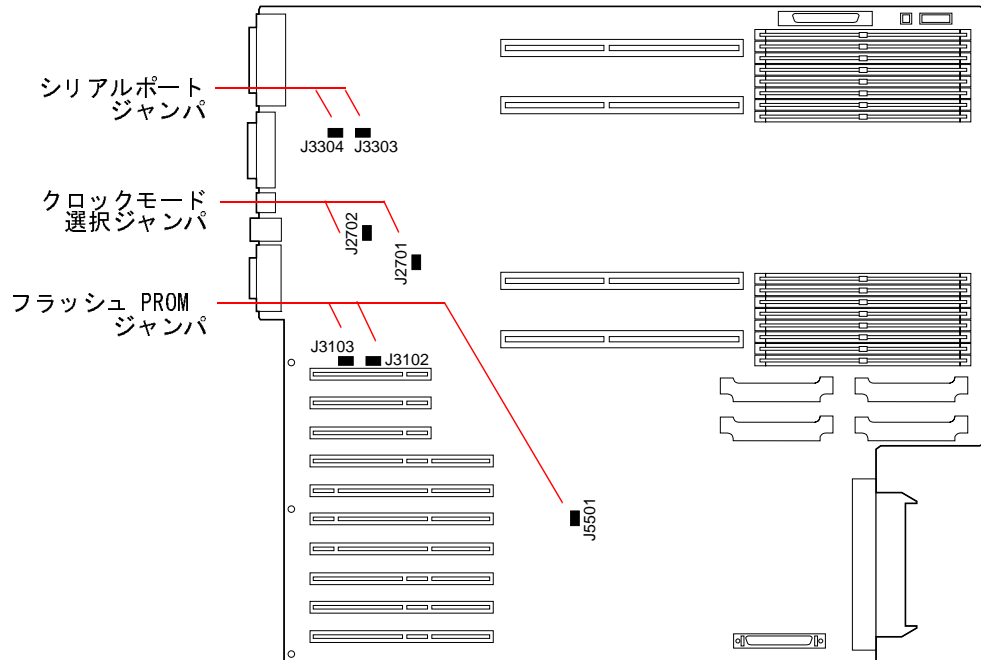
システムの再組立てと再起動については、『Ultra Enterprise 450 サーバー ユーザーマニュアル』を参照してください。

## メイン論理ボードのジャンパの設定

以下の情報は、『Ultra Enterprise 450 サーバー ユーザーマニュアル』の「クロックモード選択ジャンパ」の章の変更点です。このマニュアルの情報が優先されます。

注 - 同章の表での記述とは異なり、Sun Enterprise 450 サーバーメイン論理ボード (501-5673) では、クロックモード選択ジャンパ (J2701 および J2702) を使用します。

以下の図は、メイン論理ボードのクロックモード選択ジャンパの位置を示します。



使用する UltraSPARC II CPU モジュールの動作周波数に応じて、アドレス J2701 および J2702 のクロックモードジャンパ分路を設定します。システムを起動する前に、ジャンパ設定が正しいかどうかを確認してください。

| クロック速度  | J2701 | J2702 |
|---------|-------|-------|
| 250 MHz | 1 + 2 | 2 + 3 |
| 300 MHz | 1 + 2 | 2 + 3 |
| 400 MHz | 2 + 3 | 2 + 3 |
| 480 MHz | 2 + 3 | 1 + 2 |

3 つのフラッシュ PROM の設定表には誤りがあります。以下に訂正します。

| ジャンパ  | ピン 1 と 2<br>選択時の分路 | ピン 2 と 3<br>選択時の分路 | デフォル<br>トの<br>ピンの分<br>路 | 制御される信号                   |
|-------|--------------------|--------------------|-------------------------|---------------------------|
| J3102 | フラッシュ PROM         | 使用しない              | 1 + 2                   | FLASH PROM SEL            |
| J3103 | 書き込み保護             | 書き込み許可             | 2 + 3                   | FLASH PROM PROG<br>ENABLE |
| J5501 | ハイハーフ起動            | 通常起動               | 2 + 3                   | XOR LOGIC SET             |



---

## リムーバブルメディアのアセンブリドアの開閉

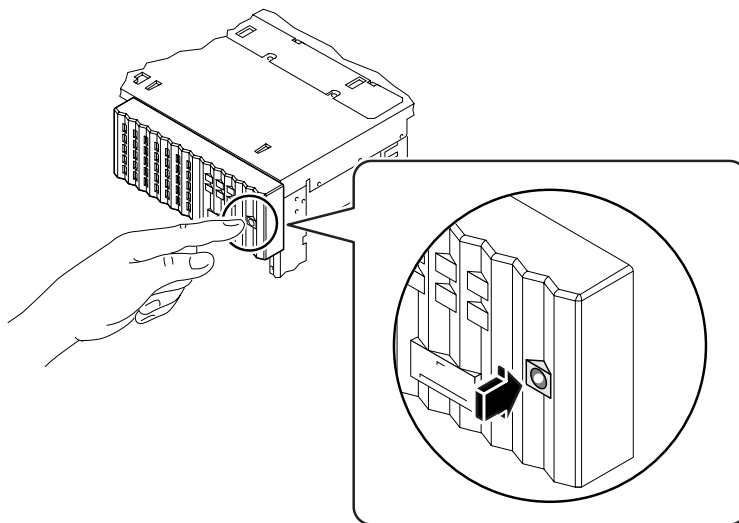
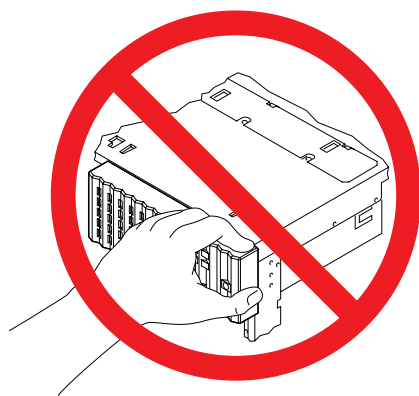
リムーバブルメディアのアセンブリドアを開けるには、ドアの右側にあるボタンを押してください。



---

**注意** – リムーバブルメディアのアセンブリドアを引かないでください。ドアを引くとラッチが壊れることがあります。

---



リムーバブルメディアのアセンブリドアを閉めるには、ドアの右側にあるボタンを押してください。

---

## NVRAM モジュールの取り外しと取り付け



**注意** - メイン論理ボードから NVRAM モジュールを取り外したり取り付けたりする場合は、電源コネクタがボードから外されていることを確認してください。外していないと、NVRAM モジュールに保存している情報が消去されたり、オペレーティングシステムに悪影響を与える可能性があります。電源コネクタをメイン論理ボードから外すには、ボードをシステムの背面パネルに固定している専用ねじを緩め、ボード背部のハンドルを引き、電源コネクタからボードを完全に引き抜いてください。

---

---

## システムの電力需要の判別

最小構成の Sun Enterprise 450 サーバーでも、サポートするすべての構成に十分に対応できる 2 系統の電源装置を装備しています。

**注** - より冗長な電源を確保したい場合は、3 系統の電源装置が必要です。

---

## 電力消費の算出

以下の表は、『Ultra Enterprise 450 サーバー ユーザーマニュアル』の「システムの電力需要の判別方法」の章の補足情報です。この表は、以下の構成要素を取り付ける場合の電力需要の計算に使用してください。

- 480-MHz CPU モジュール (8M バイト外部キャッシュ付き)
- 400-MHz CPU モジュール (4M バイト外部キャッシュ付き)
- SunCD™ 32 CD-ROM
- DVD ROM
- 18G バイトハードディスクドライブ
- 36G バイトハードディスクドライブ
- DDS4 テープドライブ

| 行<br>番<br>号        | オプション  | 数<br>量 | +3.3<br>VDC<br>電流 | 総電流<br>@ 3.3<br>V | +5<br>VDC<br>電流 | 総電流<br>@ 5 V | +12<br>VDC<br>Amps | 総電流<br>@ 12 V |
|--------------------|--|--------|-------------------|-------------------|-----------------|--------------|--------------------|---------------|
| <b>CPU オプション</b>   |  |        |                   |                   |                 |              |                    |               |
|                    | 480 MHz CPU (8M バイト外部<br>キャッシュと DC/DC コンバー<br>タ付き) |        | 7.5               |                   | 6.7             |              |                    |               |
|                    | 400 MHz CPU (4M バイト外部<br>キャッシュと DC/DC コンバー<br>タ付き) |        | 5.0               |                   | 5.6             |              |                    |               |
| <b>内部記憶装置オプション</b> |  |        |                   |                   |                 |              |                    |               |
|                    | SunCD 32 CD-ROM                                    |        |                   |                   | 0.55            |              | 0.61               |               |
|                    | DVD ROM  |        |                   |                   | 0.42            |              | 0.51               |               |
|                    | 18G バイトハードディスクドラ<br>イブ                             |        |                   |                   | 0.8             |              | 0.5                |               |
|                    | 36G バイトハードディスクドラ<br>イブ                             |        |                   |                   | 0.8             |              | 0.5                |               |
|                    | DDS4 テープドライブ                                       |        |                   |                   | 0.9             |              | 0.5                |               |

---

## 電源装置のメモリーラッチ機能

Sun Enterprise 450 の電源装置は、停電時や AC 電源コードを引き抜いてしまった場合などに、直前の電源投入および切断時の状態を記憶するメモリーラッチ機能を搭載しています。この機能によって、電源回復時に自動的に電源装置の機能が再開されます。また電源装置のホットスワップ (電源を投入したままでの交換) も可能です。

この機能によって、電源装置が故障していると誤って診断される場合があります。システムの電源を切った状態で電源装置を取り外し、システムの電源を入れてからホットスワップを実行しても、電源は切断された状態のままです。これが電源装置の故障と誤診断されることがあります。電源装置を動作させるには、フロントパネルにあるスイッチを「電源投入」から「診断」に切り替えた後、また「電源投入」の位置に戻してください。Sun™ タイプ 5 キーボードを使用している場合は、電源制御キーを押して電源装置を動作させることもできます。

---

## システムソフトウェアの動作条件

Sun Enterprise 450 サーバーの稼働には、日本語 Solaris 2.5.1, Hardware: 11/97 ハードウェアリリースか日本語 Solaris 2.6, Hardware: 3/98 ハードウェアリリース、または Solaris 7、Solaris 8 以降の Solaris オペレーティングシステムが必要です。Sun Enterprise 450 サーバーで使用している Solaris のバージョンを確認したい場合は、`/etc/release` ファイルを調べてください。このファイルには、「Solaris 2.5.1, Hardware: 11/97」やそれ以降の Solaris のリリース名が含まれている必要があります。

ソフトウェアの互換性の詳細については、Operating Environment Installation CD とともに出荷される『Installing Solaris Software for Selected Hardware』(806-4005) を参照してください。

使用している Solaris ソフトウェアリリースに必要なパッチについては、以下の SunSolve Online の Web サイトを参照してください。

<http://sunsolve.sun.co.jp/>

---

## SPARCstorage MultiPack 製品

Sun Enterprise 450 サーバーの内蔵または外付けの PCI SCSI ホストバスアダプタ (HBA) と、UltraSCSI (Fast-20) ドライブを内蔵した一部の古い Fast/Wide SCSI SPARCstorage™ MultiPack (SMP) 装置には、互換性の問題があります。UltraSCSI デバイスが存在していれば、Sun Enterprise 450 サーバーの HBA はデフォルトで UltraSCSI 命令を使用しません。ただし、SPARCstorage MultiPack 装置 (6 および 12 ドライブ仕様) は、UltraSCSI 命令をサポートしていません。このため、以上のような組み合わせで使用した場合、SCSI バスの性能が低下したり、システムが正しく稼働しなくなる可能性があります。

回避策: 上記の構成で使用する場合は、SMP が実装されている各コントローラインスタンスで UltraSCSI を使用不可にします。詳細については、pci(4) および glm(7D)、isp(7D) の各マニュアルページを参照してください。

---

注 - /etc/system を使ってグローバル SCSI オプションを変更して、内部システムディスクのバックプレーンから UltraSCSI モードを削除する方法もあります。

---

この問題は、UltraSCSI に対応した 6 ドライブ SPARCstorage MultiPack 2 システムでは発生しません。

---

## 環境要件

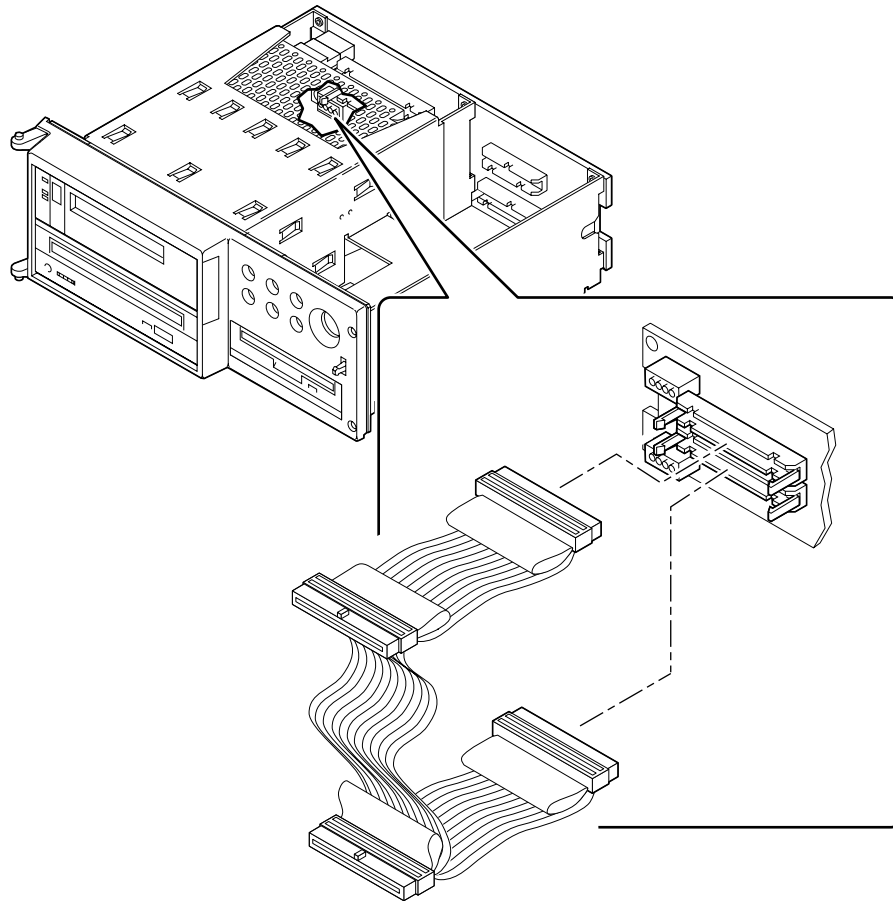
以下の情報は、『Ultra Enterprise 450 Server Owner's Guide』(英語版)の付録 B 「System Specifications」の「Environmental Requirements」の補足です。

| パラメタ | 値   |
|------|---|
| 動作   |   |
| 温度   | 5 ~ 40 °C <sup>1</sup> — IEC 68-2-1, 68-2-2 |
| 高度   | 0 ~ 3000 m — IEC 68-2-40, 68-2-41           |

1.1 つまたは複数の 400MHz モジュールを装着した場合、1500 m 以上 3000 m 以下の高度において、周辺の操作許容温度は 40 °C を起点として 304.8 m の高度上昇につき 0.8 °C ずつ低くなります。

## SCSI ドライブデータケーブルの接続

『Ultra Enterprise 450 サーバー ユーザーマニュアル』および ShowMe™ How Multimedia アプリケーション (本体パッケージに付属) のマニュアルで説明されている、リムーバルメディア部品内での SCSI ドライブデータケーブルの接続方法に誤りがあります。ケーブルの両端にあるコネクタは SCSI デバイスに接続され、ケーブルの中間にある 2 つのコネクタはリムーバルメディアのバックプレーンに接続されていますが、正しくは下図のように、ケーブルの両端をリムーブルメディアのバックプレーンに接続します。



『Ultra Enterprise 450 サーバー ユーザーマニュアル』や、それに対応する ShowMe How Multimedia アプリケーションで説明されている以下の手順を実行する場合は、前ページの図を参照してください。

- 「リムーバブルメディアバックプレーンの取り外し」
- 「リムーバブルメディアバックプレーンの取り付け」
- 「CD-ROM ドライブまたはテープドライブの取り外し」
- 「CD-ROM ドライブまたはテープドライブの取り付け」
- 「SCSI ディスクドライブのデータケーブルの取り外し」
- 「SCSI ディスクドライブのデータケーブルの取り付け」

---

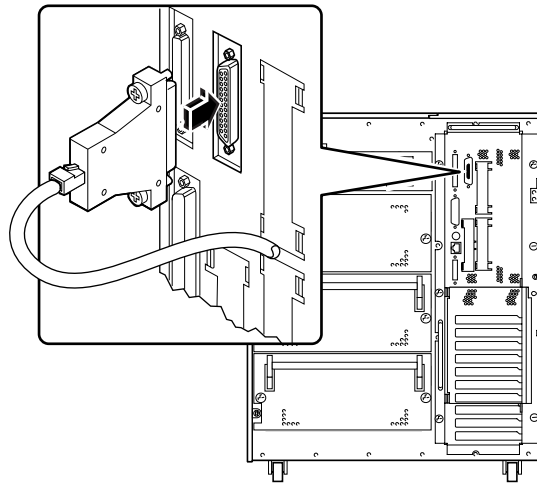
注 - 『Ultra Enterprise 450 サーバー ユーザーマニュアル』や、ShowMe How Multimedia アプリケーションで指示された手順どおりにケーブルを接続すれば、システムの運用や性能に悪影響はありません。ただし、上記の方法ならばコネクタを傷つけることなく簡単にケーブルを接続できます。

---

---

## 英数字端末の接続

『Ultra Enterprise 450 サーバー ユーザーマニュアル』の図では、サーバーの背面パネルにあるシリアルポートコネクタの位置が間違っています。正しくは下図のようになります。



---

## Sun Enterprise 450 サーバーのラックマウント設置

オプションのラックマウント用キットを使用して、Sun Enterprise 450 サーバーをEIA標準の19インチラックに設置できます。詳細については、購入先にお問い合わせください。

Sun Enterprise 450 サーバーのラックマウント設置に関する情報は、以下の Web サイトにあります。

<http://docs.sun.com>

「記憶装置」をクリックして『Rackmount Placement Matrix』の文書(英文)を読んでください。



---

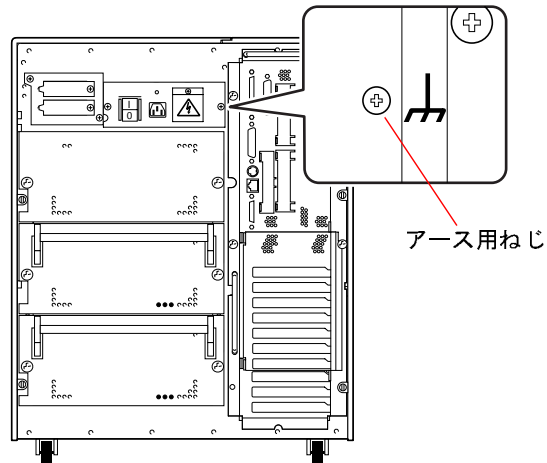
注 – Sun Enterprise 450 サーバーを Sun Enterprise 拡張キャビネットに設置する場合は、キャビネットの背面底部にあるキックプレートを必ず取り外してください。取り外すことで、2 台の Sun Enterprise 450 サーバーをキャビネットの内部に設置できます。詳細については、Sun Enterprise 拡張キャビネットに付属するマニュアルを参照してください。

---

## ラックマウントした周辺装置の接続

ラックマウントした周辺装置にデスクサイド型の Sun Enterprise 450 サーバーを接続する場合は、サーバーとラックの間に適切なアース用ストラップを接続してください。2 つのシステム間でのアースのループを回避し、データの消失を防ぎます。

アース用ストラップは、通常はラックに付属しています。ラックに同梱されているマニュアルに従って、ラックの所定のアース場所にストラップの片側の端を取り付けてください。次の図のように、もう一方の端を Sun Enterprise 450 サーバーのアース用ねじに取り付けます。ねじをしっかりと締めて、確実に接続してください。



---

**注意** – Sun Enterprise 450 サーバーのアース用ねじは、システム電源の故障による電氣的な障害からシステムを守る重要な部品です。このねじをしっかりと締めていない場合、障害による被害を受ける可能性があります。

---

## 電磁規格への適合

Sun Enterprise 450 サーバーシステムは、国際規格である EMI (electromagnetic interference: 電磁障害) のクラス A に適合しています。これらの規格のいくつかは、このマニュアルの巻頭にある「Regulatory Compliance Statements」の「Declaration of Conformity」に記載されています。



---

**注意** – このマニュアルの巻頭にある「Regulatory Compliance Statements」のクラス A の装置に適用される項目を読んでください。電磁障害の問題を修正するための方法がいくつか記載されています。これらの方法の詳細については、「Regulatory Compliance Statements」の FCC クラス B に関する注意事項を読んでください。

---

---

## 上部送風装置

上部送風装置 (パーツ番号: 540-3023) は、現在 Sun Enterprise 450 サーバーでは使用できません。ただし、『Ultra Enterprise 450 サーバー ユーザーマニュアル』および ShowMe How Multimedia アプリケーションのマニュアルにある手順は、これを使用できることを前提として記述されています。これらのマニュアルでは、メイン論理ボードの取り外しを含むすべての手順において、ボードを外す前に上部送風装置を取り外すように指示されています。使用するシステムに上部送風装置が取り付けられていない場合は、この手順は無視してください。

---

## 電源インターロック

Sun Enterprise 450 サーバーには、電源インターロック安全装置が搭載されています。システムの左右どちらかの側面パネルを取り外すと、システム電源インターロックスイッチが作動します。この安全装置は、左右どちらかの側面パネルが取り外された場合に AC 電源スイッチが入ったままになっていても、内部部品に DC 電圧がかからないようにするためのものです。システムが稼働しているときは、側面パネルを取り外さないでください。電源が自動的に切断されます。

---

## 交換部品の詳細

以下の表は『Ultra Enterprise 450 サーバー ユーザーマニュアル』の補足情報で、交換部品とそのパーツ番号の一覧です。

---

注 - ここに記載されているパーツ番号は、このマニュアルが作成された時点でのものです。予告なく変更される場合があるため、交換部品を発注する際は購入先に問い合わせることでパーツ番号を確認してください。

---

| カテゴリ        | 交換部品                                     | パーツ番号                 |
|-------------|--|-----------------------|
| メイン論理ボードと部品 | メイン論理ボード (250 MHz および 300 MHz)           | 501-5270              |
|             | メイン論理ボード (400 MHz)                       | 501-5672              |
|             | メイン論理ボード (480 MHz)                       | 501-5673              |
|             | DIMM, 256MB, 60 NS                       | 501-4743              |
|             | UltraSPARC II CPU (250 MHz, 1MB Echache) | 501-4857              |
|             | UltraSPARC II CPU (300 MHz, 2MB Echache) | 501-4849              |
|             | UltraSPARC II CPU (400 MHz, 4MB Echache) | 501-5239              |
|             | UltraSPARC II CPU (480 MHz, 8MB Echache) | 501-5729              |
| バックプレーン     | 8 スロット UltraSCSI バックプレーン                 | 501-5274              |
| 記憶装置デバイス    | SunCD 32 CD-ROM ドライブ                     | 370-3416              |
|             | DVD ROM ドライブ                             | 390-0025              |
|             | 9 GB UltraSCSI ディスク 7200 rpm             | 501-3704              |
|             | 18 GB UltraSCSI ディスク                     | 540-4177              |
|             | 36 GB UltraSCSI ディスク                     | 540-4521              |
|             | DDS4 テープドライブ                             | 390-0028              |
| 内部ケーブル      | LED インタフェースケーブル                          | 530-2363 <sup>1</sup> |

1. パーツ番号 530-2362 よりも優先

# Sun Enterprise 450 Server

## 제품 메모

---

이 제품 메모에는 Sun Enterprise™ 450 서버의 시스템 또는 멀티미디어 설명서에 들어 있지 않은 최신 제품 정보가 들어 있습니다. 다음 항목으로 구성됩니다.

- ko-2 페이지의 "480MHz CPU 모듈에 대한 지원 확인"
- ko-3 페이지의 "OpenBoot 펌웨어 이미지 개정판 식별"
- ko-4 페이지의 "UltraSPARC II CPU 모듈 식별"
- ko-5 페이지의 "CPU 모듈 구성"
- ko-5 페이지의 "CPU 모듈 제거 또는 설치"
- ko-6 페이지의 "CPU 에어 유도 장치 제거 및 교체"
- ko-12 페이지의 "주 논리 기판 접퍼"
- ko-14 페이지의 "제거 가능 매체 어셈블리 도어 열기 및 닫기"
- ko-15 페이지의 "NVRAM 모듈 제거 또는 설치"
- ko-15 페이지의 "전원 공급 장치 요구 사항 결정"
- ko-17 페이지의 "전원 공급 장치 메모리 래치 기능"
- ko-17 페이지의 "시스템 소프트웨어 요구 사항"
- ko-17 페이지의 "SPARCstorage MultiPack 장치"
- ko-18 페이지의 "환경에 대한 요구 사항"
- ko-19 페이지의 "SCSI 드라이브 데이터 케이블 설치"
- ko-20 페이지의 "영숫자 터미널 부착"
- ko-21 페이지의 "Sun Enterprise 450 서버 랙 장착"
- ko-21 페이지의 "랙 장착된 주변 장치 연결"
- ko-22 페이지의 "전자기 호환성"
- ko-23 페이지의 "상단 송풍 어셈블리"
- ko-23 페이지의 "전원 인터록"
- ko-24 페이지의 "부품 내역 설명"

## 480MHz CPU 모듈에 대한 지원 확인

서버가 480MHz CPU 모듈을 지원하는지 확인하려면 UNIX® 명령을 사용하거나 ok 프롬프트에서 찾을 수 있습니다.

콘솔 또는 명령 창에서,

- UNIX 프롬프트에서 다음 명령을 입력합니다.

```
% /usr/sbin/prtconf -pv | grep "501-5673"
```

반환된 번호가 501-5673인 경우, 이 설명서 ko-4 페이지의 "UltraSPARC II CPU 모듈 식별" 절로 가십시오.

반환되지 않은 경우 시스템 기관의 부품 번호는 501-5673이 아닙니다. 사용자는 현재 주문리 기관에 UltraSPARC II 480MHz CPU 모듈을 설치할 수 없습니다. 기관 업그레이드 주문은 Sun™ 영업 대리점에 문의하십시오. *Sun Enterprise 450 Server Board Upgrade Guide*에 수록된 기관 및 CPU 모듈 설치 지침을 따르십시오.

ok 프롬프트가 표시되는 경우.

1. 다음 명령을 입력합니다.

```
ok cd /
```

2. 시스템 데이터 목록에 대한 다음 명령을 입력합니다.

```
ok .prp
```

model 등록 정보에 나열된 출력을 검사합니다. 시스템 기관의 부품 번호가 501-5673이 아니거나 나열된 부품 번호가 없을 경우, 새 UltraSPARC II 480MHz CPU 모듈을 설치할 수 없습니다. 기관 업그레이드 주문은 Sun 영업 대리점에 문의하십시오. *Sun Enterprise 450 Server Board Upgrade Guide*에 수록된 기관 및 CPU 모듈 설치 지침을 따르십시오.

시스템 기관 번호가 501-5673인 경우, ko-4 페이지의 "UltraSPARC II CPU 모듈 식별" 절로 가십시오.

---

## OpenBoot 펌웨어 이미지 개정판 식별

서버가 480MHz CPU 모듈을 지원하는지 확인하려면 UNIX 명령을 사용하거나 ok 프롬프트에서 찾을 수 있습니다.

UNIX 콘솔 또는 명령 창에서,

- UNIX 프롬프트에서 다음 명령을 입력합니다.

```
% /usr/sbin/prtconf -v | grep OBP
```

ok 프롬프트에서,

- ok 프롬프트에서 다음 명령을 입력합니다.

```
ok .version
```

반환된 버전이 3.18이거나 그 이상의 호환 가능한 버전인 경우 사용자의 펌웨어는 더 빠른 모듈을 지원합니다. ko-2 페이지의 "480MHz CPU 모듈에 대한 지원 확인" 을 참조하십시오. 반환된 버전이 3.18 이하인 경우, OpenBoot™ 펌웨어를 사전에 업데이트해야 합니다.

시스템 펌웨어의 사전 업데이트 수행에 대한 정보는 다음 URL의 SunSolve™ Online 웹 사이트로 문의하십시오.

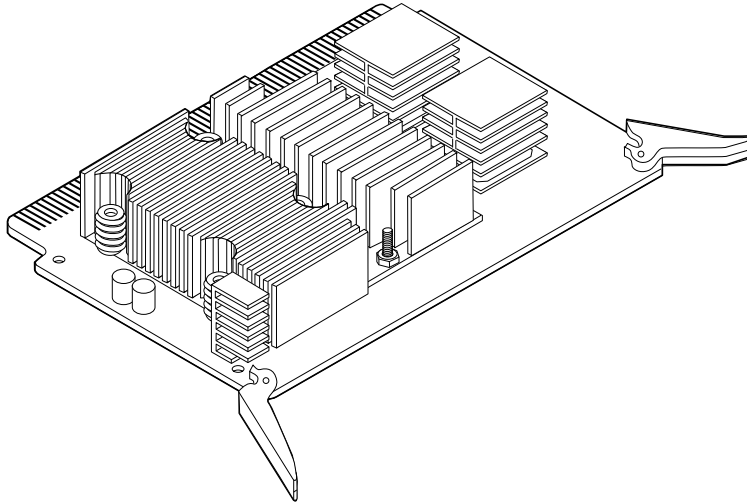
<http://sunsolve.Sun.COM>

사전 업데이트를 다운로드하려면 SunSolve Online 웹 페이지에 로그인해야 합니다.

"Patches"를 누르십시오. 다음 페이지에서 "Find Patch"를 눌러 부품 번호 106503을 찾아 화면상의 지침을 수행합니다.

## UltraSPARC II CPU 모듈 식별

Sun Enterprise 450 서버는 250MHz, 300MHz, 400MHz 또는 480MHz UltraSPARC™ II CPU 모듈을 4개까지 지원합니다. 다음 그림은 통합된 캐시 메모리가 8 MB인 덮개가 없는 새로운 480MHz UltraSPARC II CPU 모듈입니다.



CPU 모듈을 설치하기 전에 각 새로운 모듈이 다음의 Sun Enterprise 450 서버 시스템용 UltraSPARC II 모듈중 하나에 해당하는지 확인하십시오. 다음은 CPU 모듈 속도에 따라 분류한 것입니다.

| CPU 모듈 속도(MHz)       | 부품 번호                |
|----------------------|----------------------|
| 250MHz UltraSPARC II | 501-4857 또는 501-4278 |
| 300MHz UltraSPARC II | 501-4849 또는 501-4196 |
| 400MHz UltraSPARC II | 501-5239 또는 501-5446 |
| 480MHz UltraSPARC II | 501-5729             |



---

## CPU 모듈 구성

CPU 모듈을 구성하지 전에 시스템이 새 구성에 대한 전력 수요량을 지원하는지 결정하십시오. 이 설명서 ko-16 페이지의 "시스템 전력 수요량 워크시트" 를 검토하고 *Ultra Enterprise 450 Server 사용 설명서*의 "시스템 전력 수요량 결정 방법" 절을 참조하십시오.



---

**주의** - 시스템에 설치된 CPU 모듈은 모두 동일한 클럭 속도로 작동해야 합니다.

---

Ultra Enterprise 450 Server 사용 설명서의 "CPU 모듈 정보" 절에 나와 있는 규칙을 따라 서버의 UltraSPARC II CPU 모듈을 구성하십시오.

시스템에 2개의 전원 공급 장치가 있고 전원 공급 장치가 많이 필요하지 않은 경우 다음 절, "CPU 모듈 제거 또는 설치" 지침을 따르십시오.

---

## CPU 모듈 제거 또는 설치

CPU 모듈을 제거하거나 설치하기 전에 Ultra Enterprise 450 Server 사용 설명서의 "CPU 모듈 정보" 절을 읽어 보십시오.



---

**주의** - CPU 모듈을 설치하기 전에 ko-12 페이지의 "주 논리 기관 점퍼" 절을 읽고 점퍼 설정값이 현재 설치하려는 CPU 모듈 속도에 대해 정확한지 확인하십시오. 주 논리 기관 클럭 모드 점퍼가 틀리게 설정되면 시스템이 심각하게 손상될 수 있습니다.

---

Sun Enterprise 450 서버의 CPU 모듈을 제거하거나 설치하려면 *Ultra Enterprise 450 Server 사용 설명서*의 "CPU 모듈 제거 방법" 및 "CPU 모듈 설치 방법" 절에 있는 지침을 따르십시오.

---

**참고** - 480MHz CPU 모듈은 CPU 에어 유도 장치가 필요합니다. CPU 에어 유도 장치를 제거 및 교체하기 위한 지침은 ko-6 페이지의 "CPU 에어 유도 장치 제거 및 교체" 를 참조하십시오.

---

---

**참고** - 최상단 CPU 슬롯 (CPU-A1)에 네 번째 CPU 모듈을 설치하기 전에 커넥터 (J0101)에 설치된 빈 배플을 분리해내십시오. 전면 손잡이 옆에 있는 빈 배플을 잡고 CPU 슬롯에서 빼냅니다.

---

---

# CPU 에어 유도 장치 제거 및 교체

에어 유도 장치는 모든 501-5673 주 논리 기판에 설치됩니다. 다음 절에서는 CPU 에어 유도 장치를 제거하고 교체하는 방법에 대해 설명합니다.

---

**주의** - 에어 유도 장치는 적절한 시스템 쿨링을 위한 필수 장비입니다. 에어 유도 장치를 설치하지 않고 시스템을 시작할 수 없습니다.

---

## CPU 에어 유도 장치 제거 방법

CPU 모듈을 제거하거나 설치하기 전에 에어 유도 장치를 제거해야 합니다.



---

**주의** - 이 절차는 자격있는 훈련된 서비스 유지 보수 제공자가 수행해야 합니다. 이 장비에 액세스하기 위해 임의의 외부 패널을 제거하는 사람은 모든 안전 주의 사항을 준수하고 기술 수준 요구 사항, 증명 및 모든 적용 가능 국법과 지역법을 따라야 합니다.

---

### 시작하기 전에

*Ultra Enterprise 450 Server 사용 설명서*에 수록된 다음 작업을 수행하십시오.

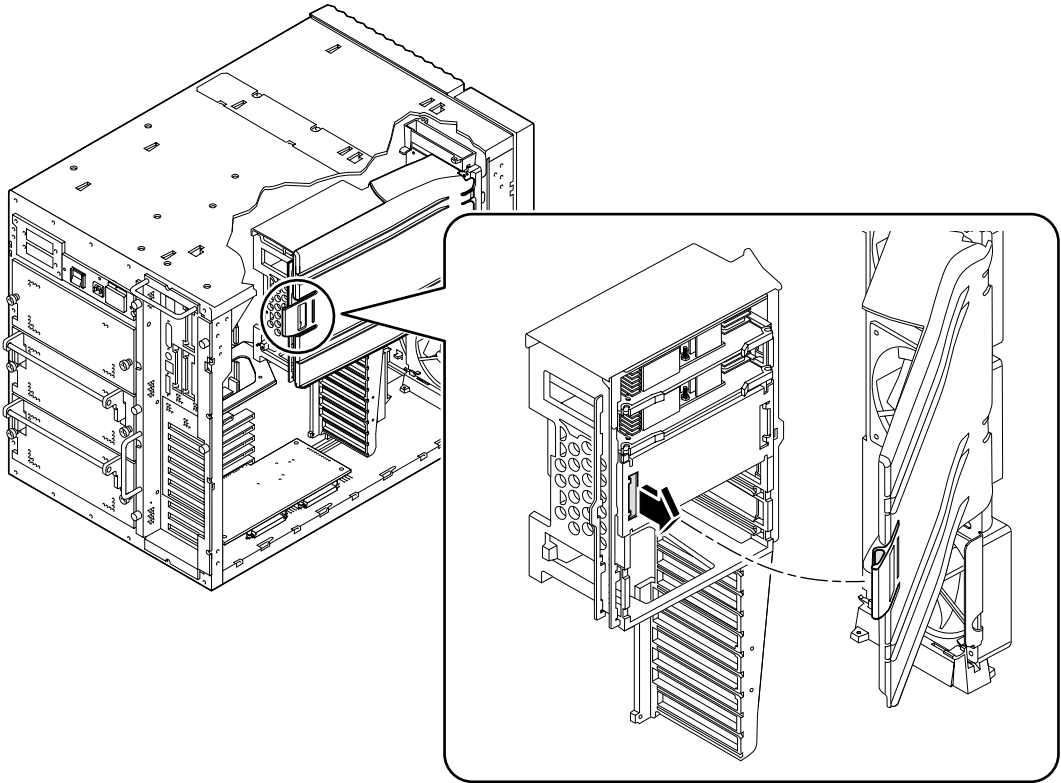
- "시스템의 전원을 끄는 방법"
- "왼쪽 패널 제거 방법"
- "정전기 방전을 피하는 방법"

## 수행 사항

CPU 에어 유도 장치를 제거하려면 다음을 수행합니다.

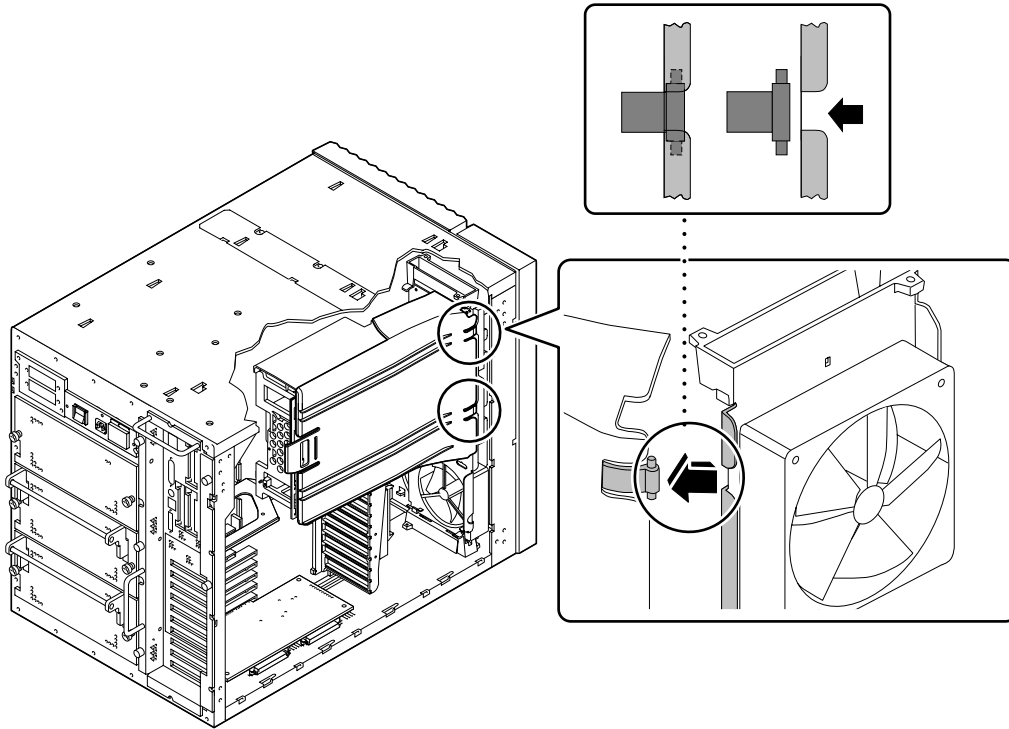
1. 왼쪽 래치를 사용자 쪽으로 주의해서 잡아 당겨 에어 유도 장치를 빼냅니다.

에어 유도 장치 래치는 주 논리 기판 Y자형 브래킷의 걸쇠를 풀어 주어야 합니다.



## 2. CPU 팬 트레이 어셈블리로부터 에어 유도 장치 탭의 결쇠를 벗깁니다.

CPU 팬 트레이 어셈블리에서 분리시키기 위해 새시 앞 쪽으로 에어 유도 장치를 밀어 넣습니다.



### 다음 단계

CPU 모듈을 제거하고 설치하기 위한 지침은 ko-5 페이지의 "CPU 모듈 제거 또는 설치" 및 *Ultra Enterprise 450 Server 사용 설명서*를 참조하십시오.

TCPU 에어 유도 장치를 교체하려면 다음 작업을 수행하십시오.

- ko-9 페이지의 "CPU 에어 유도 장치 교체 방법"

## CPU 에어 유도 장치 교체 방법



---

**주의** - 에어 유도 장치는 적절한 시스템 쿨링을 위한 필수 장비입니다. 에어 유도 장치를 설치하지 않고 시스템을 시작할 수 없습니다.

---



---

**주의** - 이 절차는 자격있는 훈련된 서비스 유지 보수 제공자가 수행해야 합니다. 이 장비에 액세스하기 위해 임의의 외부 패널을 제거하는 사람은 모든 안전 주의 사항을 준수하고 기술 수준 요구 사항, 증명 및 모든 적용 가능 국법과 지역법을 따라야 합니다.

---

### 시작하기 전에

*Ultra Enterprise 450 Server 사용 설명서*에 수록된 다음 작업을 수행하십시오.

- " 시스템 전원을 끄는 방법 "
- " 왼쪽 패널 제거 방법 "
- " 정전기 방전을 피하는 방법 "

또한 다음 작업을 완성하십시오.

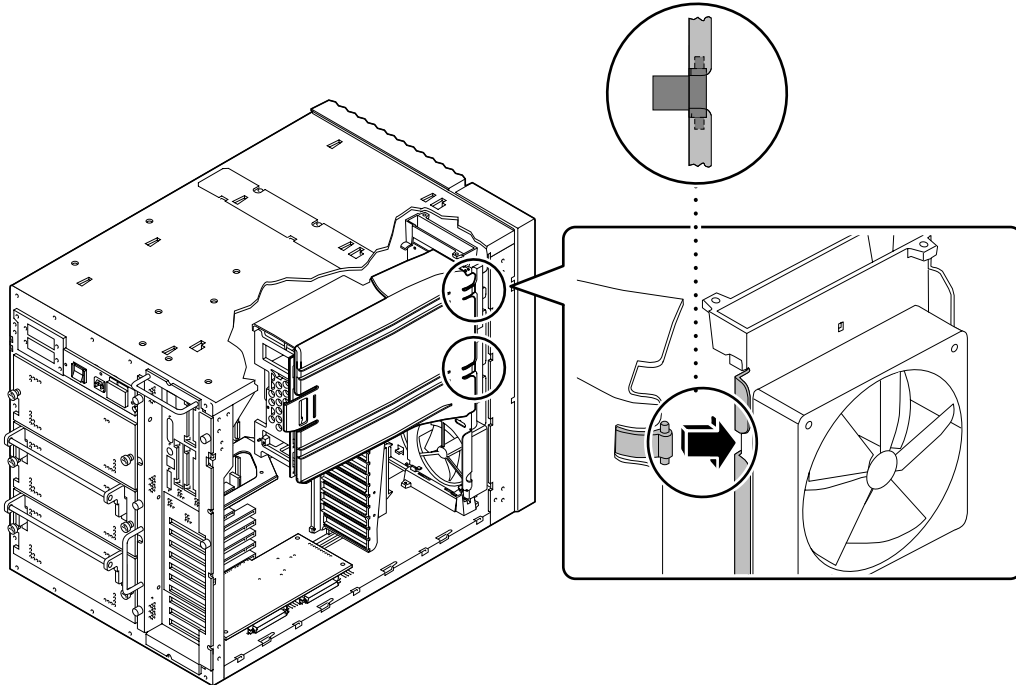
- 이 설명서 ko-6 페이지의 "CPU 에어 유도 장치 제거 방법"

## 수행 사항

CPU 에어 유도 장치를 교체하려면 다음을 수행하십시오.

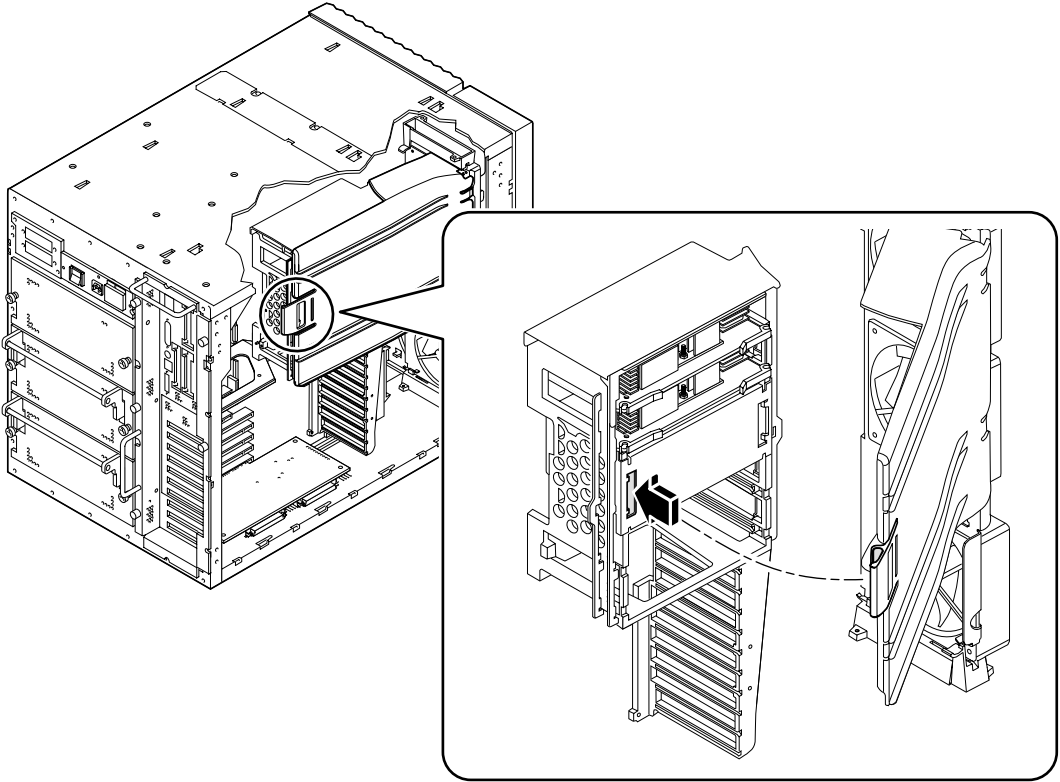
**1. CPU 팬 트레이 어셈블리의 슬롯 아래에 있는 에어 유도 장치 탭의 걸쇠를 채웁니다.**

에어 유도 장치는 CPU 팬 트레이 어셈블리의 슬롯 아래에 있는 탭의 걸쇠를 채우기 위해 충분한 여유 공간을 주는 각도에서 유지되어야 합니다.



**2. CPU 팬 트레이 어셈블리의 에어 유도 장치 탭을 보호하기 위해 새시의 뒤쪽으로 에어 유도 장치를 밀어냅니다.**

3. 주 논리 기관의 Y자형 브래킷에 에어 유도 장치를 회전 고리로 연결하고 래치를 찰각하고 채웁니다.



### 다음 단계

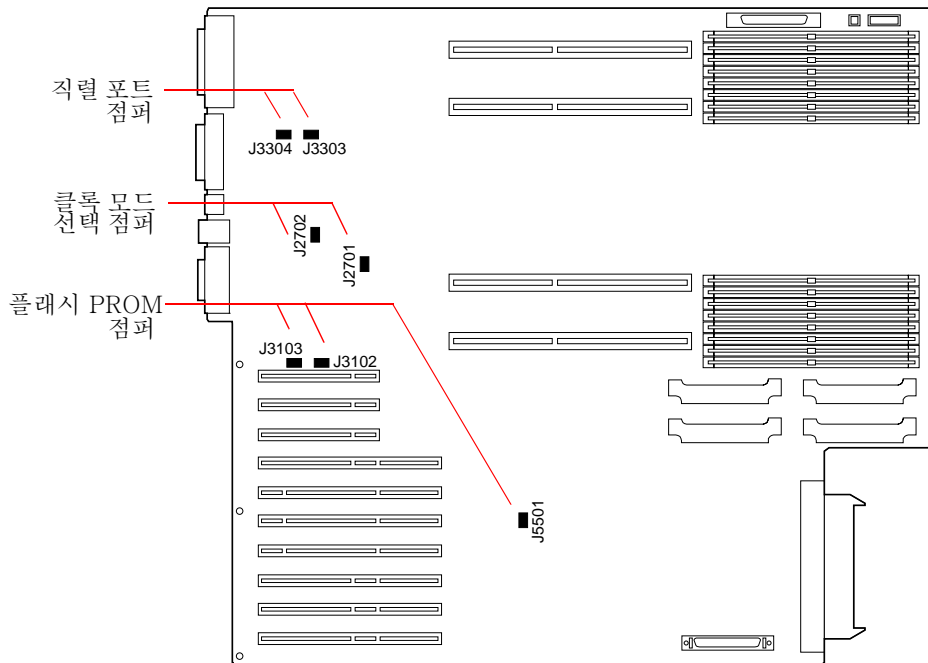
시스템의 재조립 및 재시작에 대한 지침은 *Ultra Enterprise 450 Server 사용 설명서*를 참조하십시오.

# 주 논리 기판 점퍼

Ultra Enterprise 450 Server 사용 설명서에 나와 있는 주 논리 기판 점퍼에 대한 내용이 다음과 같이 변경되었습니다.

**참고** - "클록 모드 선택 점퍼 정보" 절의 표와는 달리 클록 모드 선택 점퍼(J2701 및 J2702)가 Sun Enterprise 450 서버 주 논리 기판(501-5673)에서 사용됩니다.

다음 그림은 주 논리 기판의 클록 모드 선택 점퍼의 위치를 보여줍니다.





어드레스 J2701 및 J2702에 있는 클럭 모드 점퍼를 UltraSPARC II CPU 모듈의 속도와 일치하도록 설정하십시오. 시작하기 전에 점퍼 설정값이 정확한지 확인하십시오.

| 클럭 속도   | J2701 | J2702 |
|---------|-------|-------|
| 250 MHz | 1 + 2 | 2 + 3 |
| 300 MHz | 1 + 2 | 2 + 3 |
| 400 MHz | 2 + 3 | 2 + 3 |
| 480 MHz | 2 + 3 | 1 + 2 |

세 가지 플래시 PROM 점퍼의 설정값을 설명하는 표가 틀렸습니다. 올바른 표는 다음과 같습니다.

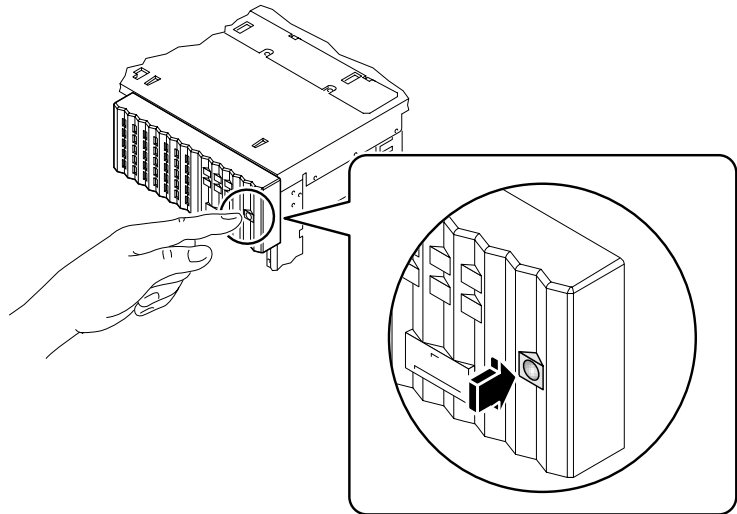
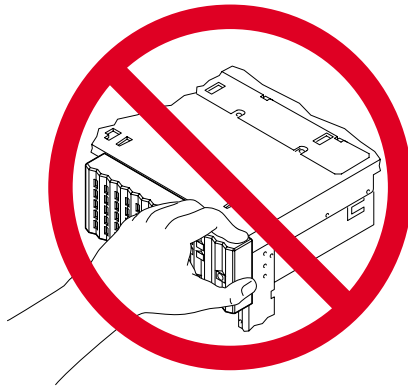
| 점퍼    | 핀 1 + 2 선택 | 핀 2 + 3 선택 | 핀 기본값 | 신호 제어                  |
|-------|------------|------------|-------|------------------------|
| J3102 | 플래시 PROM   | 사용되지 않음    | 1 + 2 | FLASH PROM SEL         |
| J3103 | 기록 방지      | 기록 가능      | 2 + 3 | FLASH PROM PROG ENABLE |
| J5501 | 하이 하프 시동   | 일반 시동      | 2 + 3 | XOR LOGIC SET          |

# 제거 가능 매체 어셈블리 도어 열기 및 닫기

제거 가능 매체 어셈블리 도어를 열려면 도어 오른쪽의 단추를 누릅니다.



**주의** - 제거 가능 매체 어셈블리 도어를 당기지 마십시오. 도어를 잡아당기면 도어의 래치가 고장날 수 있습니다.



제거 가능 매체 어셈블리 도어를 닫으려면 도어 오른쪽의 단추를 누릅니다.

---

## NVRAM 모듈 제거 또는 설치



---

**주의** - NVRAM 모듈을 주 논리 기판에서 제거하거나 설치하기 전에 기판과 기판의 전원 커넥터 연결을 끊어야 합니다. 기판과 기판 전원 커넥터와의 연결을 끊지 않으면 NVRAM 모듈에 저장된 정보가 손상될 수 있으며 시스템이 제대로 동작하지 않을 수도 있습니다. 주 논리 기판과 전원 커넥터의 연결을 끊으려면 기판을 시스템 후면 패널에 부착시키는 고정 나사를 풀고 기판이 전원 커넥터에서 완전히 분리될 때까지 기판 뒤쪽에 있는 손잡이를 잡아 당깁니다.

---

---

## 전원 공급 장치 요구 사항 결정

Sun Enterprise 450 서버의 최소 구성에는 전원 공급 장치가 두 개 들어 있어서 지원되는 모든 주변 장치에 충분한 전력을 공급합니다.

---

**참고** - 여러분의 전력이 필요한 시스템 구성일 경우에는 세 번째 전원 공급 장치를 추가해야 합니다.

---

## 시스템 전력 수요량 워크시트

Ultra Enterprise 450 Server 사용 설명서의 "시스템 전력 수요량 워크시트" 부분에 다음 내용이 추가됩니다. 다음 구성 요소를 설치하려면 전력 수요량 산출에 대한 다음 표를 참조하십시오.

- 8MB Ecacherk 있는 480MHz CPU 모듈
- 4MB Ecache가 있는 400MHz CPU 모듈
- SunCDTM 32 CD-ROM
- DVD ROM
- 18-GB 하드 디스크 드라이브
- 36-GB 하드 디스크 드라이브
- DDS4 테이프 드라이브

| 행 번호.              | 옵션                                     | 수량 | +3.3 VDC 암페어 | 총암페어 @ 3.3 V | +5 VDC 암페어 | 총암페어 @ 5 V | +12 VDC 암페어 | 총암페어 @ 12 V |
|--------------------|--|----|--------------|--------------|------------|------------|-------------|-------------|
| <b>CPU 옵션</b>      |  |    |              |              |            |            |             |             |
|                    | 8MB Ecache와 DC/DC 변환기를 사용하는 480MHz CPU |    | 7.5          |              | 6.7        |            |             |             |
|                    | 4MB Ecache와 DC/DC 변환기를 사용하는 400MHz CPU |    | 5.0          |              | 5.6        |            |             |             |
| <b>내부 기억 장치 옵션</b> |  |    |              |              |            |            |             |             |
|                    | SunCD 32 CD-ROM                        |    |              |              | 0.55       |            | 0.61        |             |
|                    | DVD ROM                                |    |              |              | 0.42       |            | 0.51        |             |
|                    | 18-GB 하드 디스크 드라이브                      |    |              |              | 0.8        |            | 0.5         |             |
|                    | 36-GB 하드 디스크 드라이브                      |    |              |              | 0.8        |            | 0.5         |             |
|                    | DDS4 테이프 드라이브                          |    |              |              | 0.9        |            | 0.5         |             |

---

## 전원 공급 장치 메모리 래치 기능

Sun Enterprise 450 전원 공급 장치에는 정전이 되었거나 AC 전원 코드가 뽑혔을 경우에 대한 반응으로 마지막 전원 켜/끔 상태를 "기억"하는 메모리 래치 기능이 있습니다. 이 기능이 있는 전원 공급 장치는 전원이 복구되었을 때 자동으로 동작을 재개합니다. 또한 이 기능이 있는 전원 공급 장치는 핫 스왑도 가능합니다.

일부 환경에서는 이 기능이 전원 공급 장치 고장으로 잘못 진단될 수 있습니다. 시스템 전원을 끈 후에 시스템에서 전원 공급 장치를 떼어내고 시스템 전원을 켜 후에 시스템에 핫 플러그 설치를 시도하면 전원 공급 장치가 Off 상태로 있을 것입니다. 이 상황을 전원 공급 장치 고장으로 생각해서는 안됩니다. 전원 공급 장치를 작동하려면 전면 패널 키 스위치를 전원 켜 위치에서 진단 위치로 돌린 후 다시 전원 켜 위치로 돌립니다. 또는 시스템에 부착된 Sun Type-5 키보드에서 전원 켜 키를 누르십시오.

---

## 시스템 소프트웨어 요구 사항

Sun Enterprise 450 서버에는 Solaris 2.5.1 Hardware: 11/97, Solaris 2.6 Hardware: 5/98, Solaris 7, Solaris 8 또는 이후 호환 가능한 Solaris 릴리스가 필요합니다. 운영 체제의 적절한 버전이 Sun Enterprise 450 서버에 설치되어 있는지 확인하려면 `/etc/release` 파일을 검사합니다. 파일은 예를 들어 "Solaris 2.5.1 Hardware: 11/97" 텍스트를 포함하거나 이후의 호환가능한 Solaris 릴리스를 식별해야 합니다.

소프트웨어 호환성에 대한 자세한 내용은 운영 환경 설치 CD에 수록된 Sun 출판물인 *Installing Solaris Software for Selected Hardware* (806-4005)를 읽어 보십시오.

Solaris 소프트웨어 릴리스에 필요한 패치는 다음 URL의 SunSolve Online 웹 사이트에서 찾을 수 있습니다.

<http://sunsolve.Sun.COM/>

---

## SPARCstorage MultiPack 장치

Sun Enterprise 450 서버 내장 또는 확장 PCI SCSI 호스트 버스 어댑터(HBA)와 UltraSCSI(Fast-20) 가능 드라이버가 들어 있는 이전의 일부 Fast/Wide SCSI SPARCstorage™ MultiPack(SMP) 장치 사이에는 호환성이 문제가 됩니다.

Sun Enterprise 450 서버에서 사용하는 HBA는 UltraSCSI 장치가 있을 경우 UltraSCSI 동

작을 기본으로 사용합니다. 그러나 일부 SPARCstorage MultiPack 장치(6과 12 드라이브 버전 모두)는 UltraSCSI 동작을 지원하지 않습니다. 그러한 구성을 사용하려고 시도하면 SCSI 버스 성능이 감소할 수 있으며 잠재적인 시스템 고장이 있을 수 있습니다.

해결 방법: 이 구성을 사용하기 전에 SMP가 부착된 각 제어기 인스턴스의 UltraSCSI 모드를 비활성화합니다. 자세한 내용은 pci(4), glm(7D) 및 isp(7D) 설명서 페이지를 참조하십시오.

---

**참고** - /etc/system을 통해 전체적인 SCSI 옵션을 변경하는 것과 연관이 있는 또다른 해결 방법은 내장 시스템 디스크 뒷판의 UltraSCSI 모드를 손상시킬 수 있습니다.

---

UltraSCSI가 가능한 6 드라이브 SPARCstorage MultiPack 2 시스템에는 이 문제가 없습니다.

---

## 환경에 대한 요구 사항

다음은 *Ultra Enterprise 450 Server 사용 설명서*(805-0429-10)의 부록 B, "시스템 사양"에 수록된 "환경에 대한 요구 사항" 절에 추가된 내용입니다.

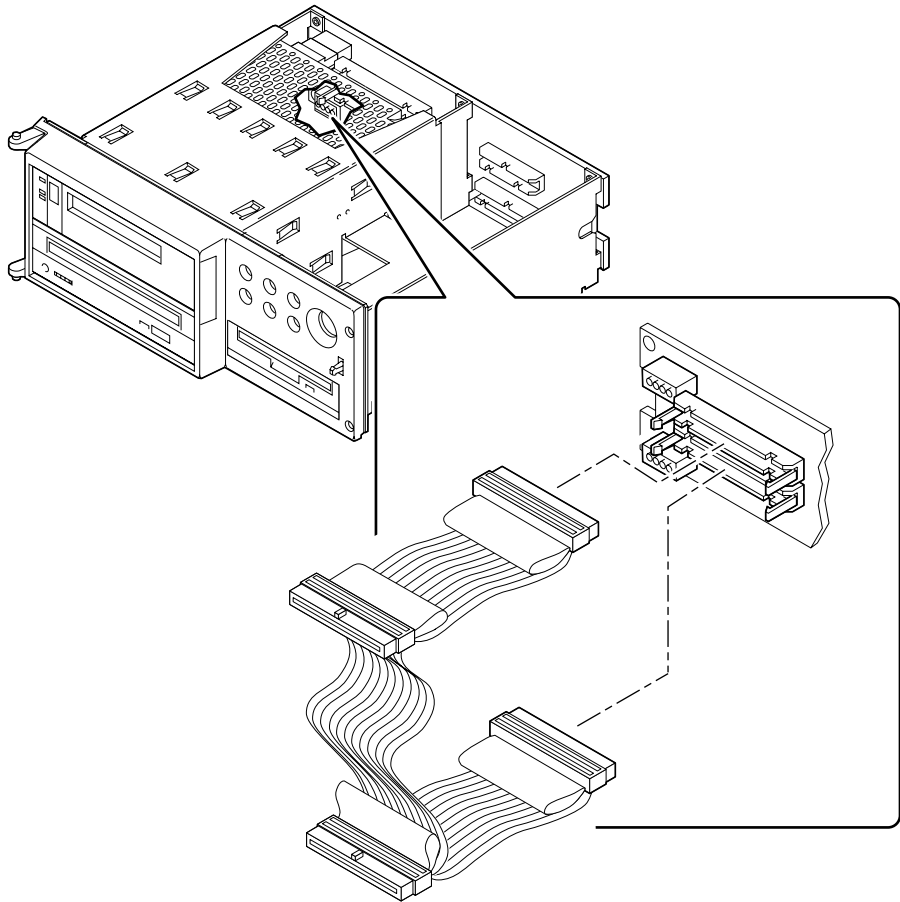
| 매개변수 | 값  |
|------|--|
| 작동   |  |
| 온도   | 5°C ~ 40°C <sup>1</sup> (41°F ~ 95°F)—IEC 68-2-1, 68-2-2 |
| 높이   | 0 ~ 3000 미터 (0 ~ 10,000 피트)—IEC 68-2-40, 68-2-41         |

1. 하나 이상의 400MHz 모듈이 설치되면 1500 미터 (5000 피트) 이상 지원되는 최대 순환 작동 온도는 40°C (95°F)에서 304.8 미터 (1000 피트) 당 0.8°C (1.44°F) 비율로 3000 미터 (10,000 피트) 까지 내려 갑니다.

# SCSI 드라이브 데이터 케이블 설치

*Ultra Enterprise 450 Server* 사용 설명서와 *ShowMe How Multimedia* 응용 프로그램은 제거 가능 매체 어셈블리에 SCSI 드라이브 데이터 케이블을 설치하는 방법을 잘못 보여주고 있습니다. 두 곳에서 설명된 절차에서는 각 케이블 끝의 커넥터가 SCSI 장치에 연결되고 케이블 중간에 있는 2개의 커넥터가 제거 가능 매체 후면에 부착되어 있습니다. 이 절차는 잘못된 것입니다.

케이블을 설치하기 위한 올바른 방법은 아래 그림과 같이 결합되지 않은 2개의 케이블 끝이 제거 가능 매체 후면에 연결됩니다.



*Ultra Enterprise 450 Server* 사용 설명서에 설명된 다음 절차 및 *ShowMe How Multimedia*

응용 프로그램의 해당 절차를 수행할 때 이 그림을 참조하십시오.

- "제거 가능 매체 후면 제거 방법"
- "제거 가능 매체 후면 설치 방법"
- "CD-ROM 드라이브 또는 테이프 드라이브 제거 방법"
- "CD-ROM 드라이브 또는 테이프 드라이브 설치 방법"
- "SCSI 드라이브 데이터 케이블 제거 방법"
- "SCSI 드라이브 데이터 케이블 설치 방법"

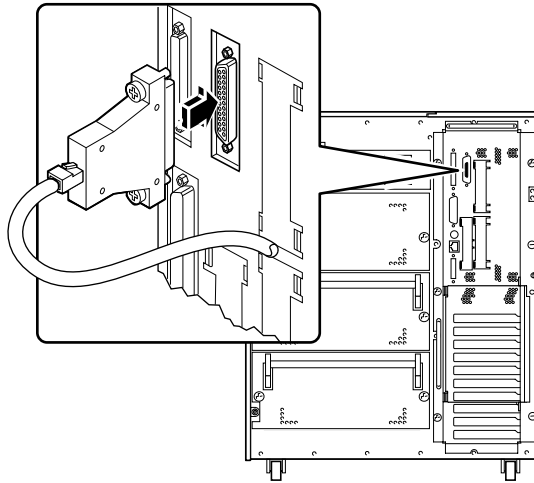
---

**참고** - 케이블이 *Ultra Enterprise 450 Server* 사용 설명서 및 *ShowMe How Multimedia* 응용 프로그램의 원래 지침에 따라 설치되는 경우 시스템 작동 또는 수행에 영향을 미칠 수 있습니다. 그러나 이 제품 메모에 설명된 대로 케이블을 설치할 경우 설치하기가 쉽고 설치 시 손상이 적습니다..

---

## 영숫자 터미널 부착

*Ultra Enterprise 450 Server* 사용 설명서의 그림에는 서버 후면 패널에서 직렬 포트 커넥터의 위치가 잘못 나와 있습니다. 정확한 위치는 다음 그림과 같습니다.





---

## Sun Enterprise 450 서버 랙 장착

선택적인 랙 설치 키트를 사용하면 Sun Enterprise 450 서버를 EIA 표준 19 인치 랙에 설치할 수 있습니다. 자세한 내용은 Sun 영업 대리점에 문의하십시오.

Sun Enterprise 450 서버에 대한 랙 설치 위치 정보는 다음 웹 사이트에 있습니다.

<http://docs.sun.com>

하드웨어 절의 "Storage & Peripherals"를 누른 후 Rackmount Placement Matrix를 여십시오.

---

**참고** – Sun Enterprise Expansion Cabinet에 Sun Enterprise 450 서버를 설치하기 전에 캐비닛의 아래쪽 후면에서 채움 금속판을 꺼내십시오. 채움 금속판을 꺼내면 Sun Enterprise 450 서버 두 개가 캐비닛 안쪽에 맞게 고정됩니다. 자세한 내용은 Sun Enterprise Expansion Cabinet과 함께 제공된 설명서를 참조하십시오.

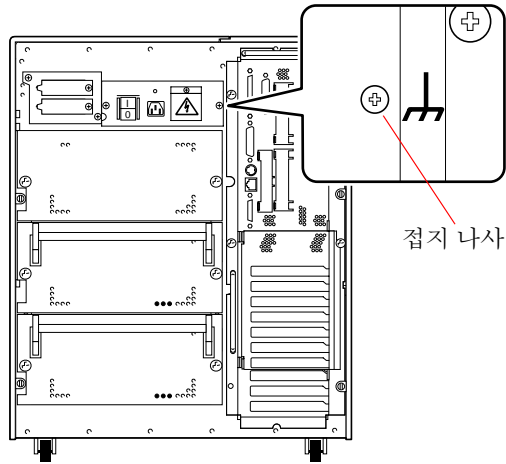
---

---

## 랙 장착된 주변 장치 연결

데스크사이드 Sun Enterprise 450 서버를 랙 장착된 주변 장치에 연결할 때는 서버와 랙 본체 사이에 알맞은 접지띠를 연결했는지 확인하십시오. 이 띠는 두 시스템 간의 접지 루프를 방지하고 데이터가 손실되지 않도록 보호합니다.

접지띠는 보통 랙 본체와 함께 제공됩니다. 띠의 한쪽 끝은 본체와 함께 제공된 지치멩 따라 랙 본체의 도안된 접지점에 부착합니다. 다른 쪽 끝은 다음 그림처럼 Sun Enterprise 450 서버의 접지 나사에 부착합니다. 잘 연결되도록 접지 나사를 완전히 조여야 합니다.



**주의** – Sun Enterprise 450 서버의 접지 나사는 시스템 전원이 끊겼을 때 전기적인 위험으로부터 보호해 주는 중요한 요소입니다. 접지 나사를 교체하지 못하거나 꼭 조이지 않으면 위험한 상황이 발생할 수 있습니다.

## 전자기 호환성

Sun Enterprise 450 서버 시스템은 다음 경우를 제외한 국제 표준을 따르는 EMI(전자기 간섭)의 클래스 A 요구 사항을 충족시킵니다. 이러한 표준 일부가 이 설명서 시작 부분의 "규정 지침서", "준수 선언"에 언급되어 있습니다.



---

**주의** - 이 설명서의 시작 부분에 나와 있는 "규정 컴플라이언스 문"의 클래스 A 장비에 적용하는 절을 읽어 보십시오. 방해 문제를 바로 잡을 수 있는 여러 가지 방법이 있습니다. 추가 정정 내용은 "규정 지침서"의 FCC 클래스 B 알림을 참조하십시오.

---

---

## 상단 송풍 어셈블리

이제 상단 송풍 어셈블리(부품 번호 540-3023)은 Sun Enterprise 450 서버의 일부분이 아닙니다. *Ultra Enterprise 450 Server 사용 설명서*와 *ShowMe How Multimedia* 응용 프로그램의 절차는 이 부품이 서버에 있다고 가정합니다. 주 논리 기판 분리와 관련된 절차에서 지침에는 기판을 분리하기 전에 주 논리 기판에서 상단 송풍 케이블의 연결을 끊으라고 나와 있습니다. 시스템에는 상단 송풍 어셈블리가 없으므로 이 단계를 무시할 수 있습니다.

---

## 전원 인터록

Sun Enterprise 450 서버에는 전원 인터록 안전 장치 기능이 있습니다. 시스템 측면 패널 중 하나를 떼어내면 시스템 전원 인터록 스위치가 작동합니다. 이 안전 장치는 한쪽 측면 패널이 분리되고 AC 전원 스위치가 켜진 상태일 때 내부 구성 요소에 DC 전압이 흐르지 못하도록 방지합니다. 시스템이 작동 중일 때 측면 패널을 떼어내지 마십시오. 시스템이 갑자기 꺼질 수 있습니다.

## 부품 내역 설명

다음은 *Ultra Enterprise 450 Server* 사용 설명서의 표에 추가된 내용입니다.

**참고** - 이 절에 나열된 부품 번호는 이 제품 메모의 발행 날짜 순으로 지정되었지만 통지 없이 변경될 수 있습니다. 교체 부품을 주문하기 전에 부품 번호를 확인하려면 Sun 영업 대리점이나 서비스 대리점에 문의하십시오.

| 범주              | 교체 부품                                  | 부품 번호                 |
|-----------------|--|-----------------------|
| 주 논리 기관 및 구성 요소 | 주 논리 기관, 250 및 300MHz                  | 501-5270              |
|                 | 주 논리 기관, 400MHz                        | 501-5672              |
|                 | 주 논리 기관, 480MHz                        | 501-5673              |
|                 | DIMM, 256 MB, 60 NS                    | 501-4743              |
|                 | UltraSPARC II CPU (250MHz, 1MB Ecache) | 501-4857              |
|                 | UltraSPARC II CPU (300MHz, 2MB Ecache) | 501-4849              |
|                 | UltraSPARC II CPU (400MHz, 4MB Ecache) | 501-5239              |
|                 | UltraSPARC II CPU (480MHz, 8MB Ecache) | 501-5729              |
| 후면              | 8 슬롯 UltraSCSI 후면                      | 501-5274              |
| 기억 장치           | SunCD 32 CD-ROM 드라이브                   | 370-3416              |
|                 | DVD ROM 드라이브                           | 390-0025              |
|                 | 9 GB UltraSCSI 디스크 드라이브, 7200 rpm      | 501-3704              |
|                 | 18 GB UltraSCSI 디스크 드라이브               | 540-4177              |
|                 | 36 GB UltraSCSI 디스크 드라이브               | 540-4521              |
| 내부 케이블          | DDS4 테이프 드라이브                          | 390-0028              |
|                 | LED 인터페이스 케이블                          | 530-2363 <sup>1</sup> |

1. 530-2362 대체

# Sun Enterprise 450 服务器 产品说明

---

这些“产品说明”中包含最新发布的产品信息，这些信息未包括在 Sun Enterprise™ 450 服务器的系统或多媒体文档资料中。这些“产品说明”中包括如下主题：

- “验证是否支持 480 MHz CPU 模块”，第 zh-2 页
- “识别 OpenBoot 固件映像版本”，第 zh-3 页
- “识别 UltraSPARC II CPU 模块”，第 zh-4 页
- “配置 CPU 模块”，第 zh-5 页
- “拆除或安装 CPU 模块”，第 zh-5 页
- “拆除和安装 CPU 导气片”，第 zh-6 页
- “逻辑主板跳线”，第 zh-12 页
- “打开和关闭可拆卸媒体安装门”，第 zh-14 页
- “拆除或安装 NVRAM 模块”，第 zh-15 页
- “确定电源需求”，第 zh-15 页
- “电源内存锁存功能”，第 zh-17 页
- “系统软件要求”，第 zh-17 页
- “SPARCstorage MultiPack 装置”，第 zh-18 页
- “环境要求”，第 zh-18 页
- “安装 SCSI 驱动器数据电缆”，第 zh-19 页
- “挂接字母数字终端”，第 zh-20 页
- “Sun Enterprise 450 服务器的机架安装”，第 zh-21 页
- “连接机架安装的外围设备”，第 zh-21 页
- “电磁兼容性”，第 zh-22 页
- “顶部风扇装置”，第 zh-23 页
- “电源内锁”，第 zh-23 页

- “部件细目分类”，第 zh-24 页

---

## 验证是否支持 480 MHz CPU 模块

要验证服务器是否支持 480 MHz CPU 模块，您可以使用 UNIX<sup>®</sup> 命令，或者在 ok 提示符下进行验证。

从控制台或从命令窗口：

- 在 UNIX 提示符下输入下列命令：

```
% /usr/sbin/prtconf -pv | grep "501-5673"
```

如果返回值为 501-5673，则请转到本指南第 zh-4 页中的“识别 UltraSPARC II CPU 模块”一节。

如果未返回任何值，则系统板的部件号不是 501-5673。您不能在当前的逻辑主板上安装新的 UltraSPARC II 480 MHz CPU 模块。关于订购系统板升级事宜，请与 Sun<sup>™</sup> 销售代表联系。按照《*Sun Enterprise 450 Server Board Upgrade Guide*》中的有关系统板和 CPU 模块的安装指导进行操作。

如果显示 ok 提示符：

1. 输入下列命令：

```
ok cd /
```

2. 输入下列命令以获取有关系统的数据列表：

```
ok .prp
```

检查列出的输出数据以获取 model 属性。如果系统板的部件号不是 501-5673（或者未列出部件号），则您不能安装新的 UltraSPARC II 480 MHz CPU 模块。关于订购系统板升级事宜，请与 Sun 销售代表联系。按照《*Sun Enterprise 450 Server Board Upgrade Guide*》中的有关系统板和 CPU 模块的安装指导进行操作。

如果系统板号为 501-5673，则请转到本指南第 zh-4 页中的“识别 UltraSPARC II CPU 模块”一节。

---

## 识别 OpenBoot 固件映像版本

要验证您的服务器是否支持 480 MHz CPU 模块，可以使用 UNIX 命令，或者在 ok 提示符下进行验证。

从 UNIX 控制台或从命令窗口：

- 在 UNIX 提示符下输入下列命令：

```
% /usr/sbin/prtconf -v | grep OBP
```

从 ok 提示符下：

- 在 ok 提示符下输入下列命令：

```
ok .version
```

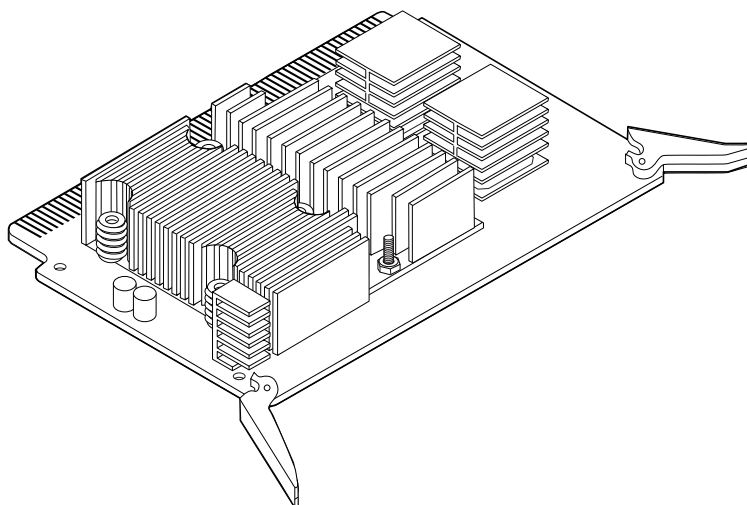
如果返回的版本号为 3.18 或更高兼容版，则固件将支持速度更快的模块。请参阅第 zh-2 页中的“验证是否支持 480 MHz CPU 模块”一节。如果返回的版本号低于 3.18，则必须快速更新 OpenBoot™ 固件。

有关进行快速更新系统固件的信息，请访问 SunSolve™ Online 网站 URL：  
<http://sunsolve.Sun.COM>。

要下载快速更新软件，登录到 SunSolve Online 网页。单击“Patches”。在下一页上，单击“Find Patch”，搜索增补程序号 106503，然后按照屏幕上的指导操作。

## 识别 UltraSPARC II CPU 模块

Sun Enterprise 450 服务器支持多达四个 250 MHz、四个 300 MHz、四个 400 MHz 或四个 480 MHz UltraSPARC™ II CPU 模块。下图显示新型无护罩的 480 MHz UltraSPARC II CPU 模块（有 8MB 的集成高速缓存）。



安装 CPU 模块之前，验证每块新的模块都是 Sun Enterprise 450 服务器系统的下列 UltraSPARC II 模块之一。下表标识出 CPU 模块的速度。

| CPU 模块速度 (MHz)        | 部件号                 |
|-----------------------|---------------------|
| 250-MHz UltraSPARC II | 501-4857 或 501-4278 |
| 300-MHz UltraSPARC II | 501-4849 或 501-4196 |
| 400-MHz UltraSPARC II | 501-5239 或 501-5446 |
| 480-MHz UltraSPARC II | 501-5729            |



---

## 配置 CPU 模块

配置 CPU 模块之前，确定您的系统是否支持新配置的功率需求。查看本指南第 zh-16 页中的“系统功率需求工作单”，并参见《Ultra Enterprise 450 服务器用户指南》中的“如何确定系统功率需求”一节。



---

**警告** – 系统中安装的所有 CPU 模块都必须按相同的时钟速度操作。

---

按照《Ultra Enterprise 450 服务器用户指南》中“关于 CPU 模块”一节的规则配置服务器中的 UltraSPARC II CPU 模块。

如果系统有两个电源，不需要冗余电源，则请按照下一节“拆除或安装 CPU 模块”中的指导进行操作。

---

## 拆除或安装 CPU 模块

拆除或安装 CPU 模块之前，请阅读《Ultra Enterprise 450 服务器用户指南》中的“关于 CPU 模块”一节。



---

**警告** – 安装任何 CPU 模块之前，请阅读第 zh-12 页中的“逻辑主板跳线”，并验证跳线设置对于所安装的 CPU 模块的速度而言是正确的。如果逻辑主板时钟模式跳线设置不正确，会造成严重的系统损坏。

---

要在 Sun Enterprise 450 服务器中拆除或安装 CPU 模块，应按照《Ultra Enterprise 450 服务器用户指南》中“如何拆除 CPU 模块”和“如何安装 CPU 模块”中的指导进行操作。

---

**注意** – 480 MHz CPU 模块要求使用 CPU 导气片。有关拆除和安装 CPU 导气片的操作指导，请参见第 zh-6 页中的“拆除和安装 CPU 导气片”。

---

---

**注意** – 在顶部 CPU 插槽 (CPU-A1) 中安装第四个 CPU 模块之前，应先拆除安装在连接器 (J0101) 上的空阻片。抓住空阻片前端的柄，然后将它从 CPU 插槽中取出。

---

---

# 拆除和安装 CPU 导气片

导气片安装在所有的 501-5673 逻辑主板上。以下各节讲述了如何拆除和安装 CPU 导气片。



---

**警告** – 导气片对于系统散热是至关重要的。未安装导气片时，请勿启动系统。

---

## 如何拆除 CPU 导气片

在拆除或安装 CPU 模块之前，必须拆除导气片。



---

**警告** – 此过程必须由经过培训的合格的维修人员完成。拆除任何外部挡板以拆装此设备的人员必须遵循所有安全预防措施并具有相应的技术等级和证书，还应遵守所有适用的地方和国家法律。

---

## 开始之前

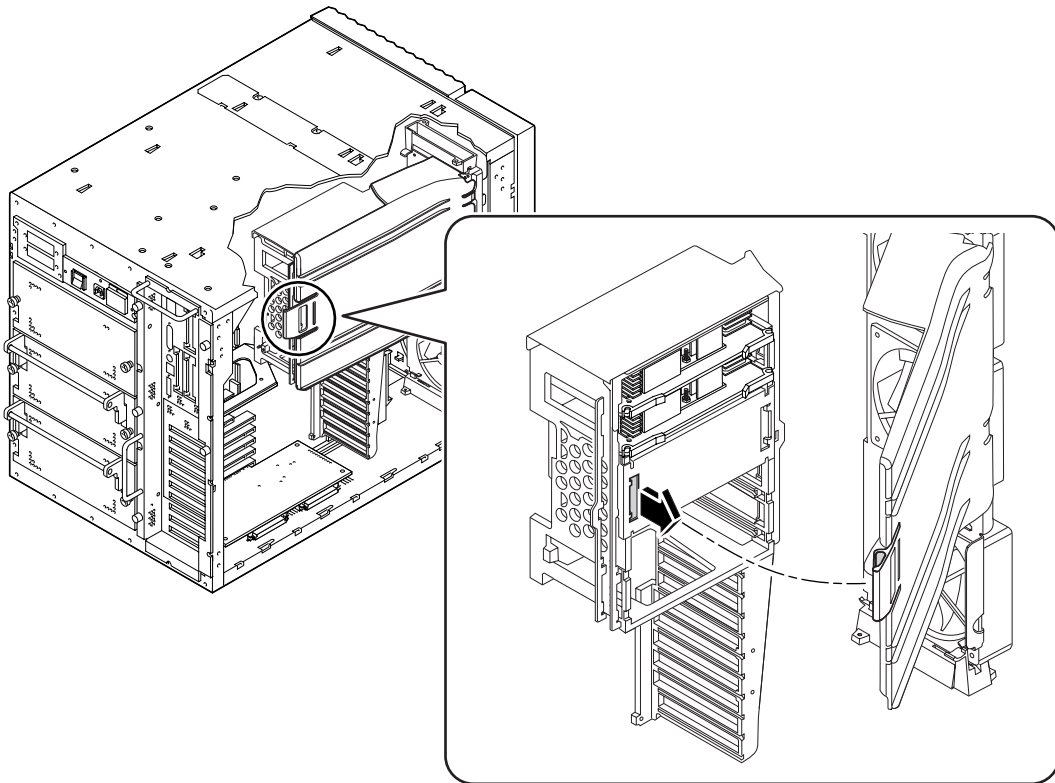
应先完成 《*Ultra Enterprise 450 服务器用户指南*》中所述的任务：

- “如何切断系统电源”
- “如何拆除左面板”
- “如何避免静电释放”

## 如何做

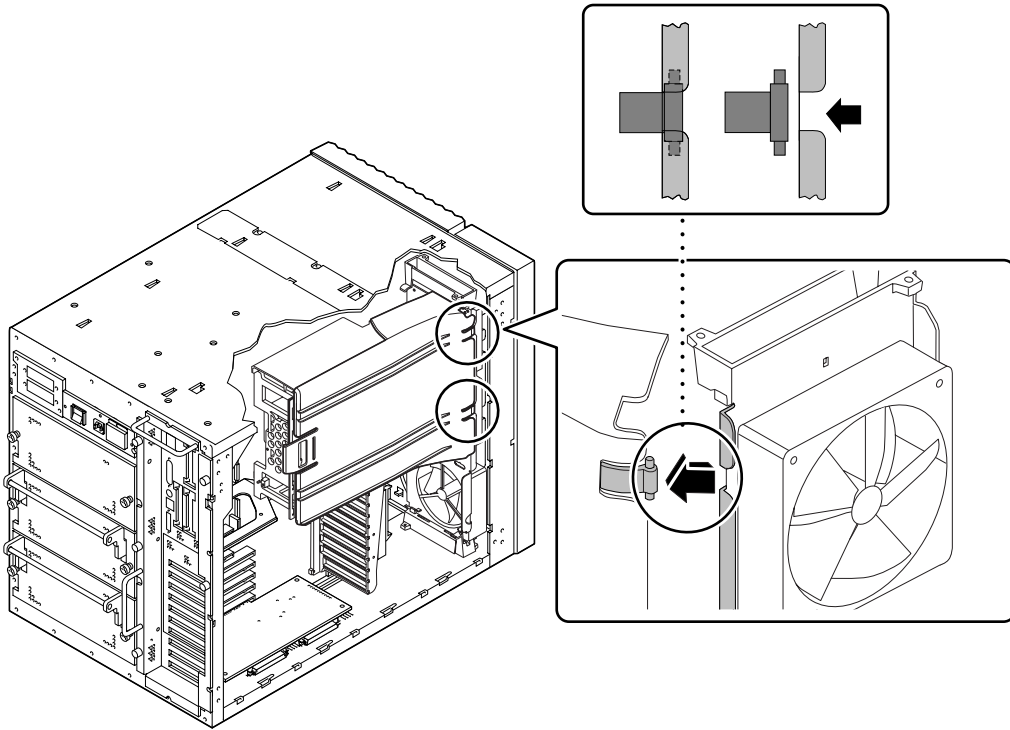
要拆除 CPU 导气片，应执行以下操作：

1. 小心地将左侧插销向您所在的方向拉，然后将导气片拉出。  
导气片插销应从逻辑主板 Y 型托架上脱开。



## 2. 将导气片接头从 CPU 风扇架的插槽上脱开。

将导气片向机箱前方滑动以将其从 CPU 风扇架的插槽上卸下。



## 下一步

有关拆除或安装 CPU 模块的操作指导，请参见第 zh-5 页中的“拆除或安装 CPU 模块”以及《Ultra Enterprise 450 服务器用户指南》。

要安装 CPU 导气片，可执行以下操作：

- “如何安装 CPU 导气片”，第 zh-9 页

# 如何安装 CPU 导气片



---

**警告** – 导气片对于系统散热是至关重要的。未安装导气片时，请勿启动系统。

---



---

**警告** – 此过程必须由经过培训的合格的维修人员来完成。拆除任何外部挡板以拆装此设备的人员必须遵循所有安全预防措施并具有相应的技术等级和证书，还应遵守所有适用的地方和国家法律。

---

## 开始之前

应先完成 《*Ultra Enterprise 450 服务器用户指南*》中所述的任务：

- “如何切断系统电源”
- “如何拆除左面板”
- “如何避免静电释放”

此外，还应完成以下任务：

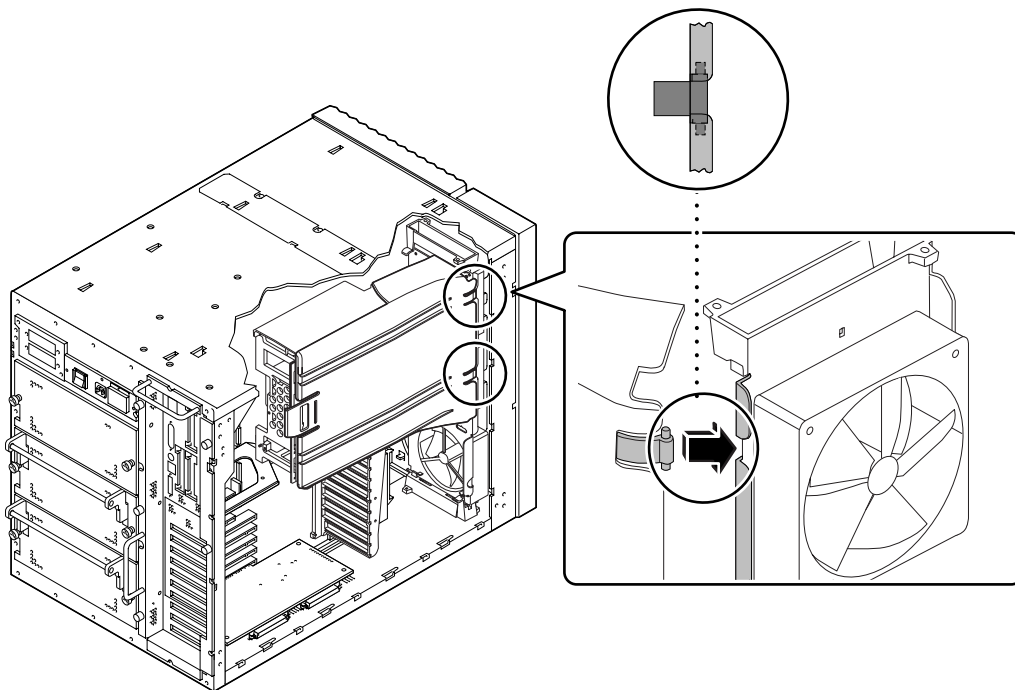
- “如何拆除 CPU 导气片”，第 zh-6 页

## 如何做

要安装 CPU 导气片，可执行以下操作：

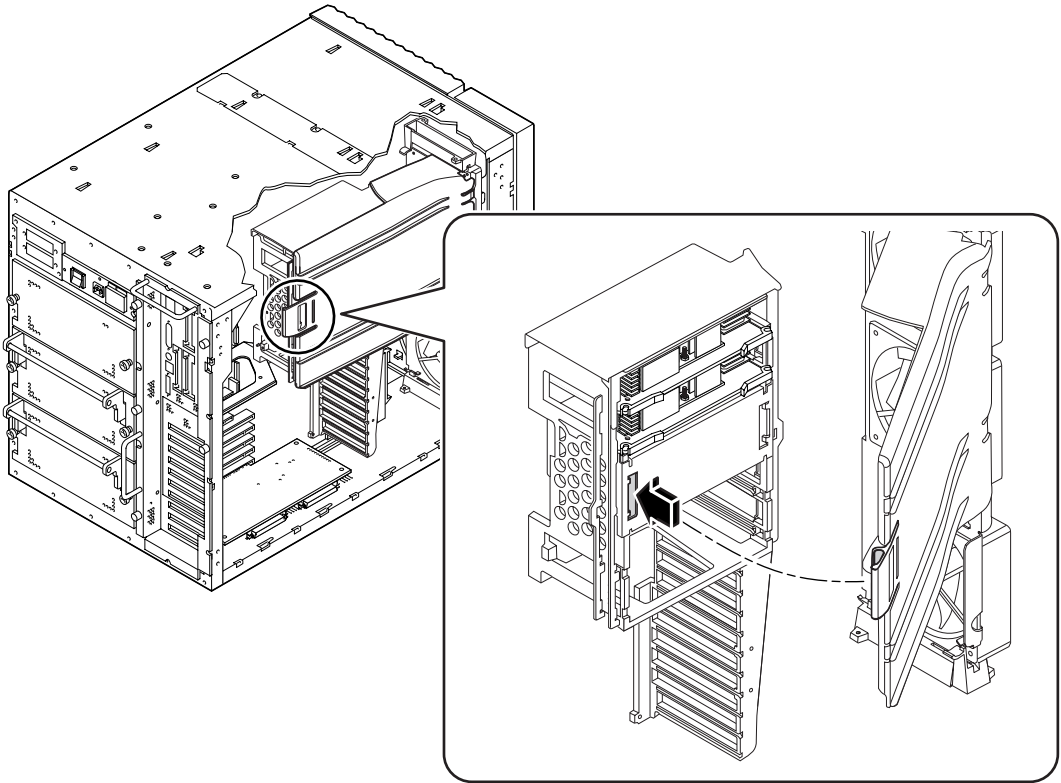
1. 将导气片接头挂在 CPU 风扇架中的插槽上。

放置导气片的角度必须能够提供足够的空间以将接头挂在 CPU 风扇架的插槽上。



2. 将导气片向机箱后部滑动以保证导气片接头与 CPU 风扇架连接稳固。

3. 将导气片旋向逻辑主板的 Y 型托架，然后卡住插销。



## 下一步

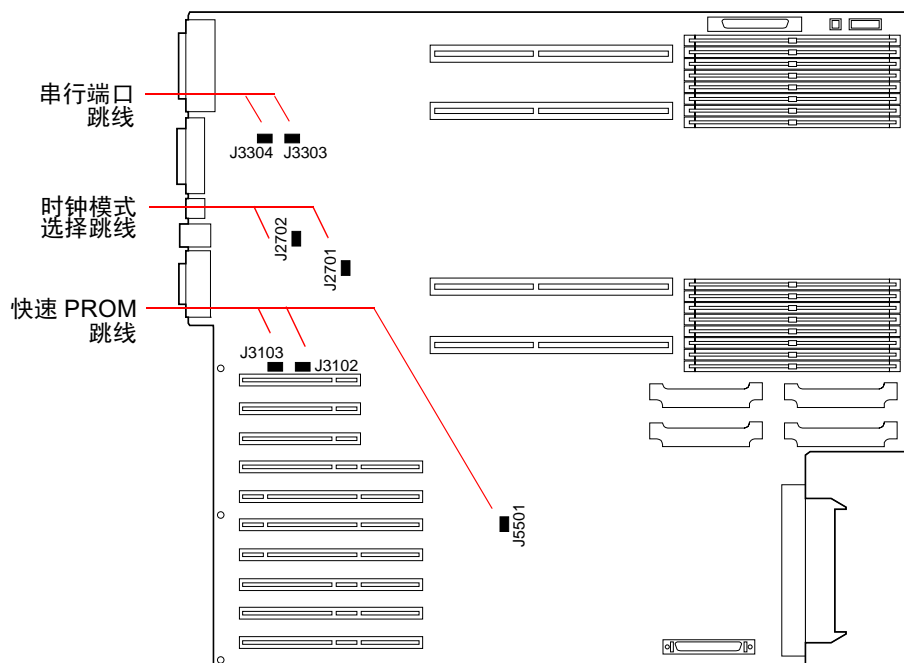
有关重新装配和重新启动系统的指导，请参见《Ultra Enterprise 450 服务器用户指南》。

# 逻辑主板跳线

下列信息将取代 《Ultra Enterprise 450 服务器用户指南》中关于逻辑主板跳线的信息：

注意 – 与“关于时钟模式选择跳线”一节中的表格不同的是，Sun Enterprise 450 服务器逻辑主板 (501-5673) 现在使用时钟模式选择跳线 (J2701 和 J2702)。

下图显示逻辑主板上的时钟模式选择跳线的位置。





在地址 J2701 和 J2702 处设置时钟模式跳线器以与 UltraSPARC II CPU 模块的速度相符。启动系统之前，须验证跳线设定是否正确。

| 时钟速度    | J2701 | J2702 |
|---------|-------|-------|
| 250 MHz | 1 + 2 | 2 + 3 |
| 300 MHz | 1 + 2 | 2 + 3 |
| 400 MHz | 2 + 3 | 2 + 3 |
| 480 MHz | 2 + 3 | 1 + 2 |

描述三种快速 PROM 跳线设置的表格不正确。正确的表格如下所示。

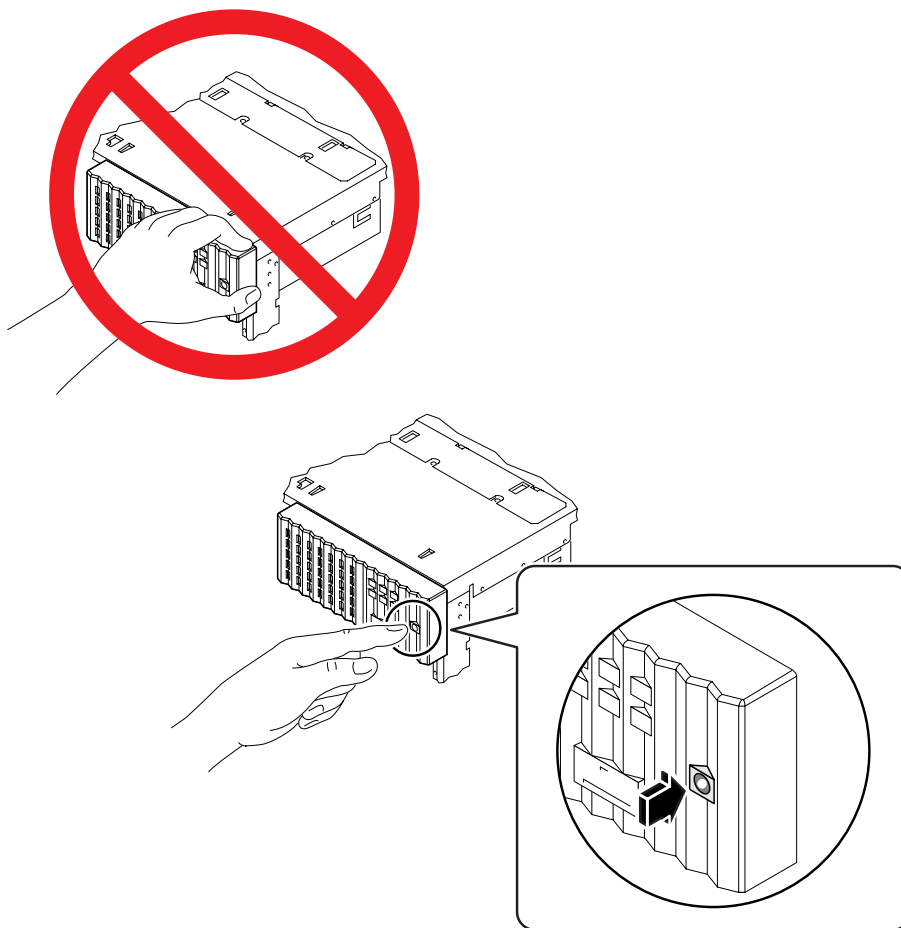
| 跳线    | 跳接脚 1 和脚 2 | 跳接脚 2 和脚 3 | 缺省的跳线器位置 | 控制的信号                  |
|-------|------------|------------|----------|------------------------|
| J3102 | 快速 PROM    | 未用         | 1 + 2    | FLASH PROM SEL         |
| J3103 | 写保护        | 可写         | 2 + 3    | FLASH PROM PROG ENABLE |
| J5501 | 高半区引导      | 正常引导       | 2 + 3    | XOR LOGIC SET          |

## 打开和关闭可拆卸媒体安装门

要打开可拆卸媒体安装门，按下其右侧的按钮即可。



警告 – 请勿拖拉可拆卸媒体安装门。这可能会损坏其上的插销。



要关闭可拆卸媒体安装门，按下其右侧的按钮即可。

---

## 拆除或安装 NVRAM 模块



---

**警告** – 在逻辑主板上拆除或安装 NVRAM 模块之前，确保断开该主板与电源的连接。不这样做可能会损坏存储在 NVRAM 模块上的信息，并对系统操作造成不良影响。要断开逻辑主板与其电源连接器的连接，松开将主板固定到系统后面板的紧固螺钉，并向外拉主板后面的手柄，直到板完全脱离其电源连接器。

---

---

## 确定电源需求

Sun Enterprise 450 服务器当前的最低配置包括两个电源，可为所有支持的配置提供充足的电源。

---

**注意** – 如果系统配置要求冗余的电源，则可能需要添加第三个电源。

---

## 系统功率需求工作单

下列信息是对《Ultra Enterprise 450 服务器用户指南》中“系统功率需求工作单”一节的补充。如果您在安装下列任一组件，请按照下表计算功率需求：

- 带有 8 MB Ecache 的 480 MHz CPU 模块
- 带有 4 MB Ecache 的 400 MHz CPU 模块
- SunCD™ 32 CD-ROM
- DVD ROM
- 18 GB 硬盘驱动器
- 36 GB 硬盘驱动器
- DDS4 磁带机

| 行号       | 选件                                      | 数量 | +3.3 VDC 安培数 | 总的安培数 @ (电压 3.3 伏) | +5 VDC 安培数 | 总的安培数 @ (电压 5 伏) | +12 VDC 安培数 | 总的安培数 @ (电压 12 伏) |
|----------|---|----|--------------|--------------------|------------|------------------|-------------|-------------------|
| CPU 选件   |   |    |              |                    |            |                  |             |                   |
|          | 带有 8 MB Ecache 和直流 / 直流转换器的 480 MHz CPU |    | 7.5          |                    | 6.7        |                  |             |                   |
|          | 带有 4 MB Ecache 和直流 / 直流转换器的 400 MHz CPU |    | 5.0          |                    | 5.6        |                  |             |                   |
| 内部存储设备选件 |   |    |              |                    |            |                  |             |                   |
|          | SunCD 32 CD-ROM                         |    |              |                    | 0.55       |                  | 0.61        |                   |
|          | DVD ROM                                 |    |              |                    | 0.42       |                  | 0.51        |                   |
|          | 18 GB 硬盘驱动器                             |    |              |                    | 0.8        |                  | 0.5         |                   |
|          | 36 GB 硬盘驱动器                             |    |              |                    | 0.8        |                  | 0.5         |                   |
|          | DDS4 磁带机                                |    |              |                    | 0.9        |                  | 0.5         |                   |

---

## 电源内存锁存功能

Sun Enterprise 450 电源有内存锁存功能，使电源能“记住”在断电或交流电源线的拆除时的最后一次电源开/关状态。此功能使电源可以在电力恢复后自动恢复操作。它还支持电源的热插拔。

在一些情况下，此功能可能被错误地诊断为电源故障。如果从一个关闭了的系统中取下电源，并试图通过热插拔将它安装到打开的系统中，则该电源将保持在“关”的状态。不要以为这是电源故障。要激活电源，只需将前面板上的旋钮开关从“开”的位置转到“诊断”的位置，然后重新转回“开”的位置。或者，按下挂接到系统上的 Sun Type-5 键盘上的 Power-On 键。

---

## 系统软件要求

Sun Enterprise 450 服务器要求使用 Solaris 2.5.1 硬件：11/97、Solaris 2.6 硬件：5/98、Solaris 7、Solaris 8 或后续的兼容 Solaris 版本。要验证 Sun Enterprise 450 服务器上安装的操作环境版本是否正确，可检查文件 `/etc/release`。此文件应当包括诸如 "Solaris 2.5.1 Hardware:11/97" 的字样或应当标识出更高兼容版本。

有关软件兼容性的更多信息，请参阅 Operating Environment Installation CD 附带的 Sun 出版物 《*Installing Solaris Software for Selected Hardware*》(806-4005)。

您的 Solaris 软件版本所需的所有增补程序可以从以下 SunSolve Online 网站上找到 URL：

<http://sunsolve.Sun.COM/>。

---

# SPARCstorage MultiPack 装置

Sun Enterprise 450 服务器的内嵌或扩展 PCI SCSI 主机总线适配器 (HBAs) 和某些以前的 Fast/Wide SCSI SPARCstorage™ MultiPack (SMP) 装置之间存在兼容性问题，后者可配备 UltraSCSI (Fast-20) 驱动器。Sun Enterprise 450 服务器上的可用 HBA，在配有 UltraSCSI 设备时，缺省使用 UltraSCSI 操作。但是，一些 SPARCstorage MultiPack 装置（6 和 12 驱动器版本）不支持 UltraSCSI 操作。试图使用这样的配置会导致 SCSI 总线性能的降低，并可能引发系统混乱。

解决方案：使用此配置之前，禁用挂接有 SMP 的所有控制器的 UltraSCSI 模式。有关细节，请参阅 pci(4)、glm(7D) 和 isp(7D) 手册页。

---

注意 – 通过 /etc/system 进行全局 SCSI 选项变更的另一种解决方案，将导致内部系统磁盘底板上的 UltraSCSI 模式丢失。

---

配有 6 个驱动器的 SPARCstorage MultiPack 2 系统（有 UltraSCSI 功能）中不存在此类问题。

---

## 环境要求

下列信息是对《Ultra Enterprise 450 服务器用户指南》(805-0429-10) 英文版中附录 B “系统规格” 中 “环境要求” 一节的补充。

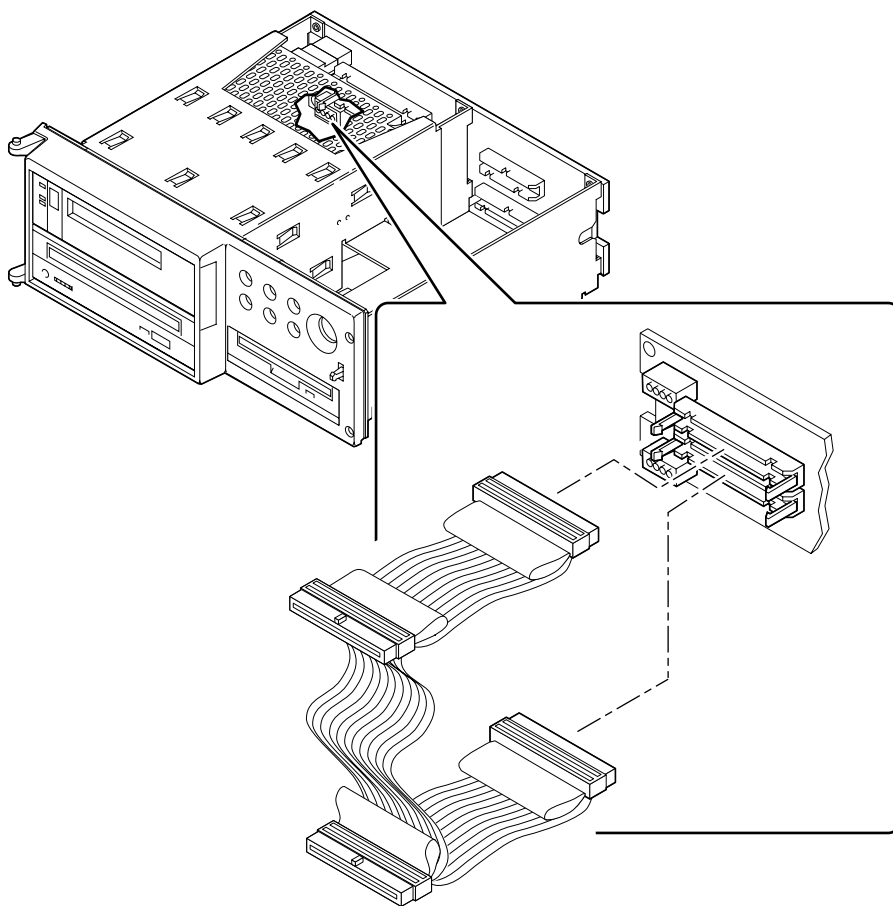
| 参数 | 值  |
|----|--|
| 操作 |  |
| 温度 | 5°C 到 40°C <sup>1</sup> (41°F 到 95°F) — IEC 68-2-1, 68-2-2 |
| 海拔 | 0 到 3000 米 (0 到 10,000 英尺) — IEC 68-2-40, 68-2-41          |

1. 如果安装了一块或多块 400 MHz 模块，在高于 1500 米 (5000 英尺) 的环境下，所支持的最大操作环境温度将低于 40°C (95°F)，同时每上升 304.8 米 (1000 英尺)，温度将下降 0.8°C (1.44°F)，最大许可的高度为 3000 米 (10,000 英尺)。

## 安装 SCSI 驱动器数据电缆

《Ultra Enterprise 450 服务器用户指南》和 *ShowMe How Multimedia* 应用程序中关于如何在可拆卸媒体装置上安装 SCSI 驱动器数据电缆的方法是不正确的。它们所述的步骤是将电缆两端的连接器连接到 SCSI 设备，而电缆中间的两个连接器挂接到可拆卸媒体的底板上。这些步骤是不正确的。

安装电缆的正确方法是将电缆两端连接到可拆卸媒体的底板上，如下所示。



执行《Ultra Enterprise 450 服务器用户指南》中的下列步骤以及 *ShowMe How Multimedia* 应用程序中的相应步骤时，请参考此图示：

- “如何拆除可拆卸媒体底板”
- “如何安装可拆卸媒体底板”
- “如何拆除 CD-ROM 驱动器或磁带机”
- “如何安装 CD-ROM 驱动器或磁带机”
- “如何拆除 SCSI 驱动器数据电缆”
- “如何安装 SCSI 驱动器数据电缆”

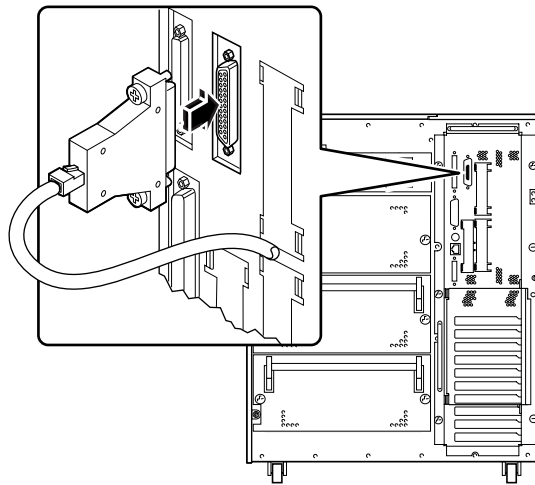
---

注意 – 如果按照《Ultra Enterprise 450 服务器用户指南》以及 *ShowMe How Multimedia* 应用程序中的指导安装电缆，不会对系统操作或性能产生不良影响。但是，如果按这些“产品说明”中所示来安装电缆，则安装更简便，且在安装过程中不易损坏。

---

## 挂接字母数字终端

《Ultra Enterprise 450 服务器用户指南》中的图示标识的服务器后面板上的串行端口连接器的位置不正确。正确位置如下图所示。





---

## Sun Enterprise 450 服务器的机架安装

本系统备有可选的机架安装套件，用于将 Sun Enterprise 450 服务器安装到 EIA 标准 19 英寸（48.26 厘米）机架中。有关更多细节，请与 Sun 授权销售代表联系。

有关 Sun Enterprise 450 服务器机架安装的布局信息可从以下网址获得：

<http://docs.sun.com>

单击 Hardware 部分的 “Storage & Peripherals” 以打开 “*Rackmount Placement Matrix*”。

---

**注意** – 在 Sun Enterprise 扩展机柜中安装 Sun Enterprise 450 服务器之前，确保拆除了机柜背面底部的挡板。拆除挡板就可以将两台 Sun Enterprise 450 服务器装入机柜内。有关更多细节，请参见 Sun Enterprise 扩展机柜附带的文档资料。

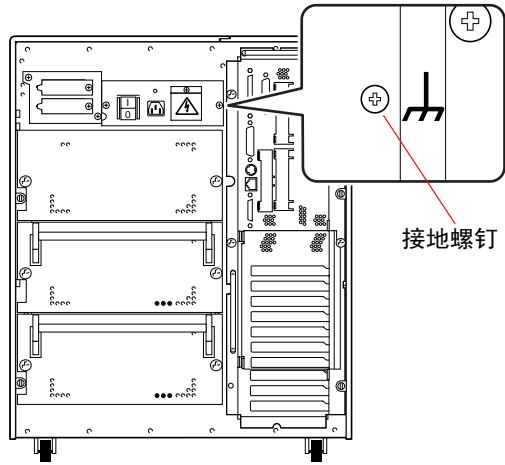
---

---

## 连接机架安装的外围设备

将台式 Sun Enterprise 450 服务器连接到机架内的任何外围设备时，确保在服务器和机架外壳之间连接有适当的地线。此地线可以防止两个系统之间形成接地回路，并防止可能的数据丢失。

通常地线与机架外壳一起提供。根据机架外壳附带的操作说明书，将地线的一端连到机架外壳上的指定接地点。将另一端连到 Sun Enterprise 450 服务器上的接地螺钉，如下图所示。确保完全拧紧接地螺钉，以保证良好的连接。



---

**警告** – Sun Enterprise 450 服务器上的接地螺钉是一个关键组件，在发生系统电源故障时提供保护以防止电击。如果不能装上并完全拧紧接地螺钉，则可能会留下安全隐患。

---

## 电磁兼容性

Sun Enterprise 450 服务器系统满足符合国际标准的电磁干扰 (EMI) A 级要求。其中的部分标准，在本文档开头的 "Regulatory Compliance Statements" 中的 "Declaration of Conformity" 中有记载。



---

**警告** – 请阅读本文档开头的 "Regulatory Compliance Statements" 中的适用于 A 级设备的内容。有若干种方法可解决干扰问题。有关解决方法的详细信息，请参见 "Regulatory Compliance Statements" 中的 “FCC Class B Notice”。

---

---

## 顶部风扇装置

Sun Enterprise 450 服务器中不再有顶部风扇装置（部件号 540-3023）；但是，《*Ultra Enterprise 450 服务器用户指南*》和 *ShowMe How Multimedia* 应用程序中的步骤仍假定此部件存在。对于所有涉及拆卸逻辑主板的步骤，都会指示在拆卸前断开顶部风扇与逻辑主板的电缆连接。由于您的系统中不包括顶部风扇装置，您完全可以忽略此步骤。

---

## 电源内锁

Sun Enterprise 450 服务器提供电源内锁安全机制。拆除任一系统侧面板都会激活系统电源内锁开关。此安全机制可在任一侧面板被拆除而交流电源开关仍打开时，防止直流电压危及内部组件。请勿在系统运行时拆除任一侧面板。这样做会导致系统电源突然中断。

# 部件细目分类

下列信息是对 《Ultra Enterprise 450 服务器用户指南》中表格的补充。

**注意** – 本节中列出的部件号在这些“产品说明”发行时是正确的，但可随时更改而不另行通知。订购替换部件之前，请咨询您的 Sun 授权销售代表或维修人员以确定部件号。

| 类别      | 替换部件                                     | 部件号                   |
|---------|--|-----------------------|
| 逻辑主板及部件 | 逻辑主板, 250 和 300 MHz                      | 501-5270              |
|         | 逻辑主板, 400 MHz                            | 501-5672              |
|         | 逻辑主板, 480 MHz                            | 501-5673              |
|         | DIMM, 256 MB, 60 NS                      | 501-4743              |
|         | UltraSPARC II CPU (250 MHz, 1 MB Ecache) | 501-4857              |
|         | UltraSPARC II CPU (300 MHz, 2 MB Ecache) | 501-4849              |
|         | UltraSPARC II CPU (400 MHz, 4 MB Ecache) | 501-5239              |
|         | UltraSPARC II CPU (480 MHz, 8 MB Ecache) | 501-5729              |
| 底板      | 8 插槽 UltraSCSI 底板                        | 501-5274              |
| 存储设备    | SunCD 32 CD-ROM 驱动器                      | 370-3416              |
|         | DVD ROM 驱动器                              | 390-0025              |
|         | 9 GB UltraSCSI 磁盘驱动器, 7200 rpm           | 501-3704              |
|         | 18 GB UltraSCSI 磁盘驱动器                    | 540-4177              |
|         | 36 GB UltraSCSI 磁盘驱动器                    | 540-4521              |
|         | DDS4 磁带机                                 | 390-0028              |
| 内部电缆    | LED 接口电缆                                 | 530-2363 <sup>1</sup> |

1. Supersedes 530-2362

# Sun Enterprise 450 伺服器產品說明

---

這些「產品說明」中包含最新發佈的產品資訊，這些資訊未包括在 Sun Enterprise™ 450 伺服器的系統或多媒體文件資料中。「產品說明」中包括如下主題：

- 第 zh\_TW-2 頁中的「驗證支援 480-MHz CPU 模組」
- 第 zh\_TW-3 頁中的「辨識 OpenBoot 韌體影像修訂版」
- 第 zh\_TW-4 頁中的「辨識 UltraSPARC II CPU 模組」
- 第 zh\_TW-5 頁中的「配置 CPU 模組」
- 第 zh\_TW-5 頁中的「移除或安裝 CPU 模組」
- 第 zh\_TW-6 頁中的「移除或置換 CPU 空氣導引 (Air Guide)」
- 第 zh\_TW-12 頁中的「主邏輯板跳線」
- 第 zh\_TW-14 頁中的「開啓與關閉可拆式多媒體組件的門」
- 第 zh\_TW-15 頁中的「移除或安裝 NVRAM 模組」
- 第 zh\_TW-15 頁中的「判定電源需求」
- 第 zh\_TW-17 頁中的「電源記憶體鎖存功能」
- 第 zh\_TW-17 頁中的「系統軟體要求」
- 第 zh\_TW-18 頁中的「SPARCstorage MultiPack 單元」
- 第 zh\_TW-18 頁中的「環境要求」
- 第 zh\_TW-19 頁中的「安裝 SCSI 磁碟機資料電纜線」
- 第 zh\_TW-20 頁中的「連接字母數字終端機」
- 第 zh\_TW-21 頁中的「架裝 Sun Enterprise 450 伺服器」
- 第 zh\_TW-21 頁中的「連接架裝的周邊設備」
- 第 zh\_TW-21 頁中的「電磁相容性」
- 第 zh\_TW-22 頁中的「上層電扇組件」
- 第 zh\_TW-23 頁中的「電源內鎖」

- 第 zh\_TW-24 頁中的「說明部份錯誤」

---

## 驗證支援 480-MHz CPU 模組

要驗證伺服器是否支援 480-MHz CPU 模組，您可以使用 UNIX<sup>®</sup> 指令，或者在 ok 提示符號下進行驗證。

從控制台或從指令視窗：

- 在 UNIX 提示符號下鍵入下列指令：

```
% /usr/sbin/prtconf -pv | grep "501-5673"
```

如果傳回的值為 501-5673，則請移至本指南第 zh\_TW-4 頁中的「辨識 UltraSPARC II CPU 模組」一節。

如果未傳回任何值，則主機板的零件編號不是 501-5673。您不能在目前的主邏輯板上安裝新的 UltraSPARC II 480-MHz CPU 模組。關於訂購主機板升級事宜，請與 Sun<sup>™</sup> 銷售代表聯絡。請依照《*Sun Enterprise 450 Server Board Upgrade Guide*》中的主機板及 CPU 模組安裝說明進行安裝。

如果顯示 ok 提示符號：

1. 鍵入以下指令：

```
ok cd /
```

2. 鍵入以下指令以取得與系統相關的資料清單：

```
ok .prp
```

檢查列示的輸出資料以取得 model 屬性。如果主機板的零件編號不是 501-5673，或者未列示零件編號，則您就不能安裝新的 UltraSPARC II 480-MHz CPU 模組。關於訂購主機板升級事宜，請與 Sun 銷售代表聯絡。請依照《*Sun Enterprise 450 Server Board Upgrade Guide*》中的主機板及 CPU 模組安裝說明進行安裝。

如果主機板的編號為 501-5673，請繼續本指南第 zh\_TW-4 頁中的「辨識 UltraSPARC II CPU 模組」一節。

---

## 辨識 OpenBoot 韌體影像修訂版

要驗證伺服器是否支援 480-MHz CPU 模組，您可以使用 UNIX 指令，或者在 ok 提示符號下進行驗證。

從 UNIX 控制台或從指令視窗：

- 在 UNIX 提示符號下鍵入下列指令：

```
% /usr/sbin/prtconf -V | grep OBP
```

從 ok 提示符號下：

- 在 ok 提示符號下鍵入下列指令：

```
ok .version
```

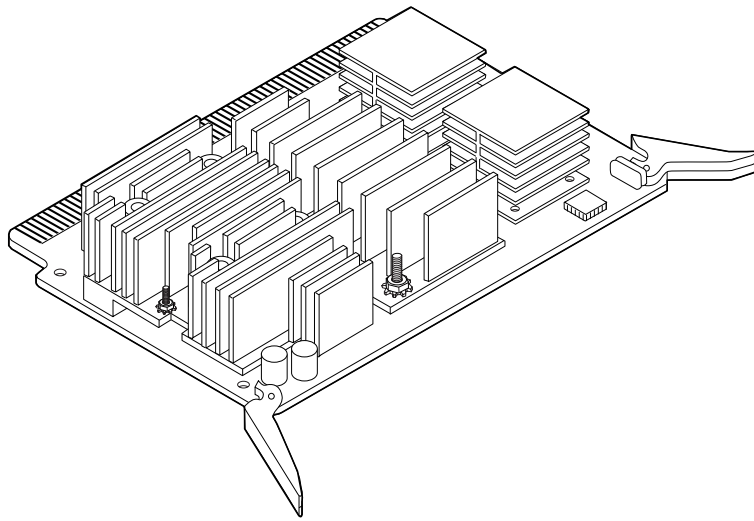
若傳回的版本為 3.18 或更高的相容版本，則韌體將能支援此更快速的模組。關於詳細資訊，請參閱第 zh\_TW-2 頁的「驗證支援 480-MHz CPU 模組」。若傳回的版本低於 3.18，您必須快閃更新 OpenBoot™ 韌體。

請至位於下列 URL 的 SunSolve™ Online 網站 <http://sunsolve.Sun.COM> 以取得關於如何將系統韌體快閃更新的資訊。

若要下載快閃更新，請登入 SunSolve Online 網頁。按一下“Patches”，進入下一頁後，按一下“Find Patch”，搜尋編號 106503 的增補程式，然後依照螢幕上的說明進行下載。

## 辨識 UltraSPARC II CPU 模組

Sun Enterprise 450 伺服器支援多達四個 250-MHz、四個 300-MHz、四個 400-MHz 或四個 480-MHz UltraSPARC™ II CPU 模組。下圖顯示新型無護罩的 480-MHz UltraSPARC II CPU 模組（有 8 MB 的內建快取記憶體）。



安裝 CPU 模組之前，驗證每塊新的模組是 Sun Enterprise 450 伺服器的下列 UltraSPARC II 模組之一。下表辨識出 CPU 模組速度。

| CPU 模組速度 (MHz)        | 零件號                 |
|-----------------------|---------------------|
| 250-MHz UltraSPARC II | 501-4857 或 501-4278 |
| 300-MHz UltraSPARC II | 501-4849 或 501-4196 |
| 400-MHz UltraSPARC II | 501-5239 或 501-5446 |
| 480-MHz UltraSPARC II | 501-5729            |



---

## 配置 CPU 模組

在配置 CPU 模組之前，確定您的系統是否支援新配置的電源需求。請參閱本指南第 zh\_TW-16 頁中的「系統電源需求工作單」，並參閱《Ultra Enterprise 450 伺服器所有者指南》中的「如何判定系統電源需求」一節。



---

**警告** – 系統中安裝的所有 CPU 模組，必須按相同的時脈速度操作。

---

按照《Ultra Enterprise 450 伺服器所有者指南》中「關於 CPU 模組」一節的規則配置伺服器中的 UltraSPARC II CPU 模組。

如果系統有兩個電源供應器，就不需要多餘的電源供應器，請按照下一節「移除或安裝 CPU 模組」中的說明進行。

---

## 移除或安裝 CPU 模組

移除或安裝 CPU 模組之前，請閱讀《Ultra Enterprise 450 伺服器所有者指南》中的「關於 CPU 模組」一節。



---

**警告** – 安裝任何 CPU 模組之前，請先閱讀本指南第 zh\_TW-12 頁中的「主邏輯板跳線」一節，並驗證跳線的設定對於所安裝的 CPU 模組的速度而言是否正確的。如果主邏輯板時脈模式跳線設定不正確，可能會造成嚴重的系統損壞。

---

要在 Sun Enterprise 450 伺服器中移除或安裝 CPU 模組，請按照《Ultra Enterprise 450 伺服器所有者指南》中「如何移除 CPU 模組」及「如何安裝 CPU 模組」的說明進行。

---

**注意** – 480-MHz CPU 模組需要一個 CPU 空氣導引 (air guide)。關於移除與安裝空氣導引的說明，請參閱第 zh\_TW-6 頁的「移除與置換 CPU 空氣導引 (Air Guide)」。

---

---

**注意** – 在頂部 CPU 插槽 (CPU-A1) 中安裝第四個 CPU 模組之前，移除安裝在連接器 (J0101) 上的空阻片。抓住空阻片前端的柄，並將它從 CPU 插槽中取出。

---

---

## 移除或置換 CPU 空氣導引 (Air Guide)

空氣導引安裝於所有 501-5673 主邏輯板。下列各節說明如何移除與置換 CPU 空氣導引。



---

**警告** – 空氣導引是用來徹底使系統冷卻的基本裝備。請勿在尚未安裝空氣導引之前啓動系統。

---

### 如何移除 CPU 空氣導引

您必須在移除或安裝 CPU 模組之前，先移除空氣導引。



---

**警告** – 本項程序應該由受過合格服務訓練的維修供應者來操作。移除任何外部面板以操作裝備的人員，應該要注意所有的安全預防措施並遵從技術方面的要求、保證及所有適用的當地及國際法規。

---

### 準備工作

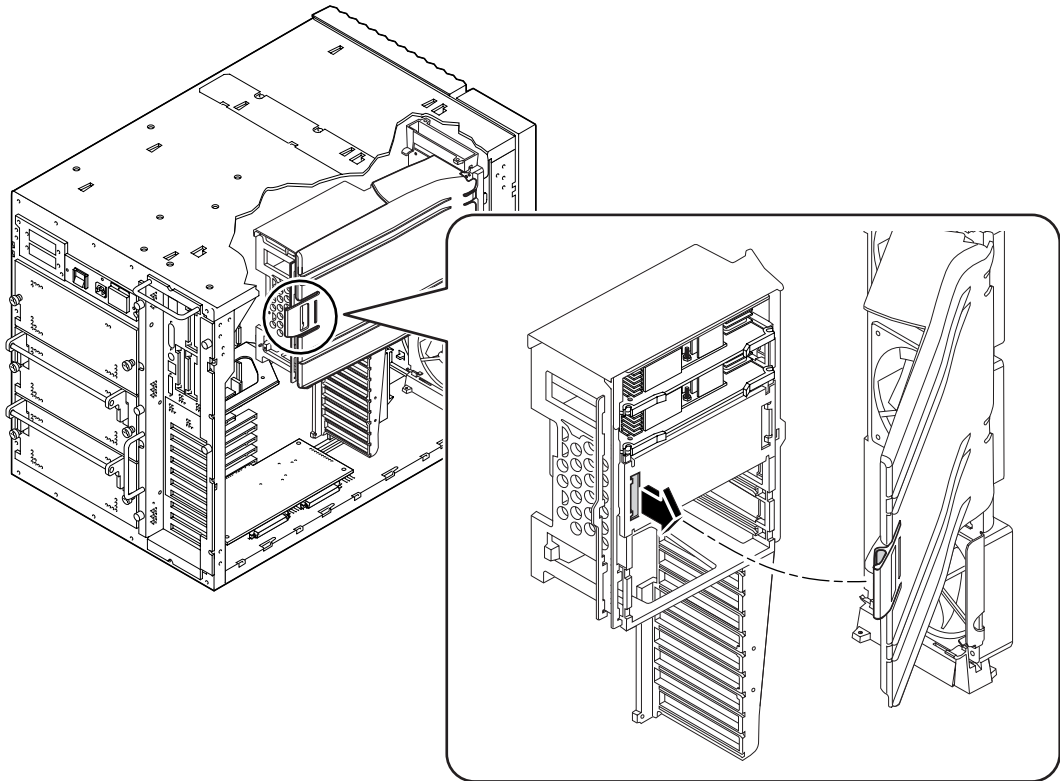
根據《*Ultra Enterprise 450 伺服器所有者指南*》的說明，完成下列作業：

- 「如何關閉系統電源」
- 「如何移除左側面板」
- 「如何避免靜電放電」

## 如何做

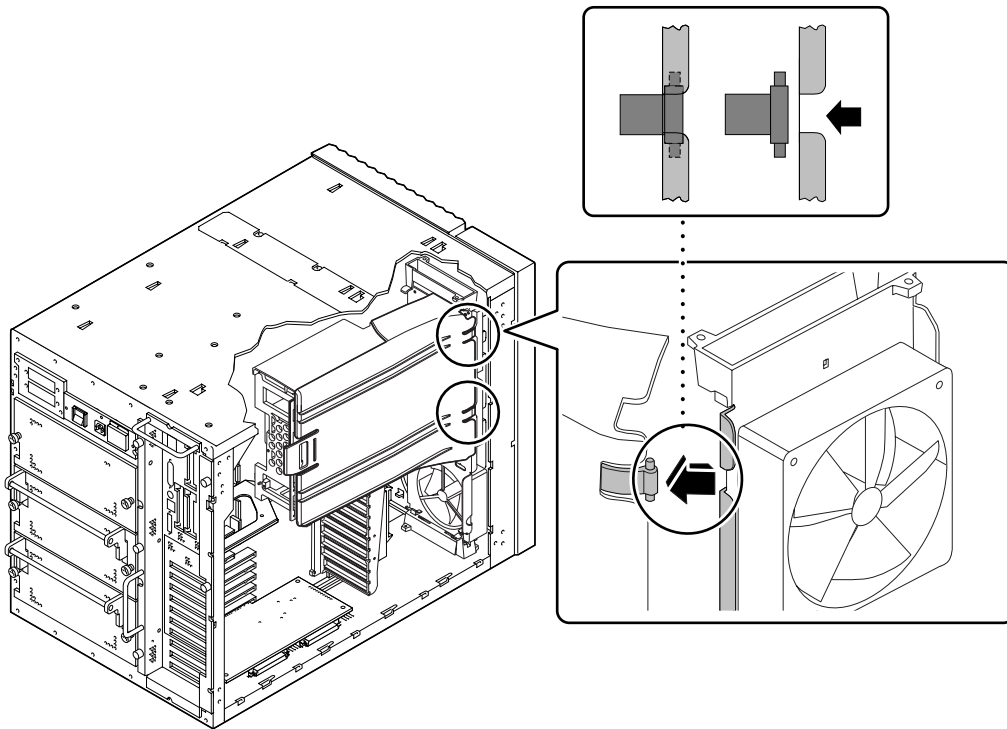
要移除 CPU 空氣導引，執行下列動作：

1. 小心地拉住左邊的栓子使它朝向您並將空氣導引轉出來。  
空氣導引的栓子會從主邏輯板 Y 托架 (Y-bracket) 上勾住的地方鬆開。



2. 將空氣導引的卡榫從 CPU 風扇托盤組件中取下。

將空氣導引朝基座前方滑出來，使它從 CPU 風扇托盤組件中鬆開。



## 接下來

請參閱第 zh\_TW-5 頁的「移除或安裝 CPU 模組」及《Ultra Enterprise 450 伺服器所有者指南》以取得移除或安裝 CPU 模組的說明。

要置換 CPU 空氣導引，請完成以下作業：

- 第 zh\_TW-9 頁的「如何置換 CPU 空氣導引」

## 如何置換 CPU 空氣導引



---

**警告** – 空氣導引是用來徹底使系統冷卻的基本裝備。請勿在尚未安裝空氣導引之前執行系統。

---



---

**警告** – 本項程序應該由受過合格服務訓練的維修供應者來操作。移除任何外部面板以操作裝備的人員，應該要注意所有的安全預防措施並遵從技術方面的要求、保證及所有適用的當地及國際法規。

---

### 準備工作

根據《*Ultra Enterprise 450 伺服器所有者指南*》的說明，完成下列作業：

- 「如何關閉系統電源」
- 「如何移除左側面板」
- 「如何避免靜電放電」

此外，請完成以下作業：

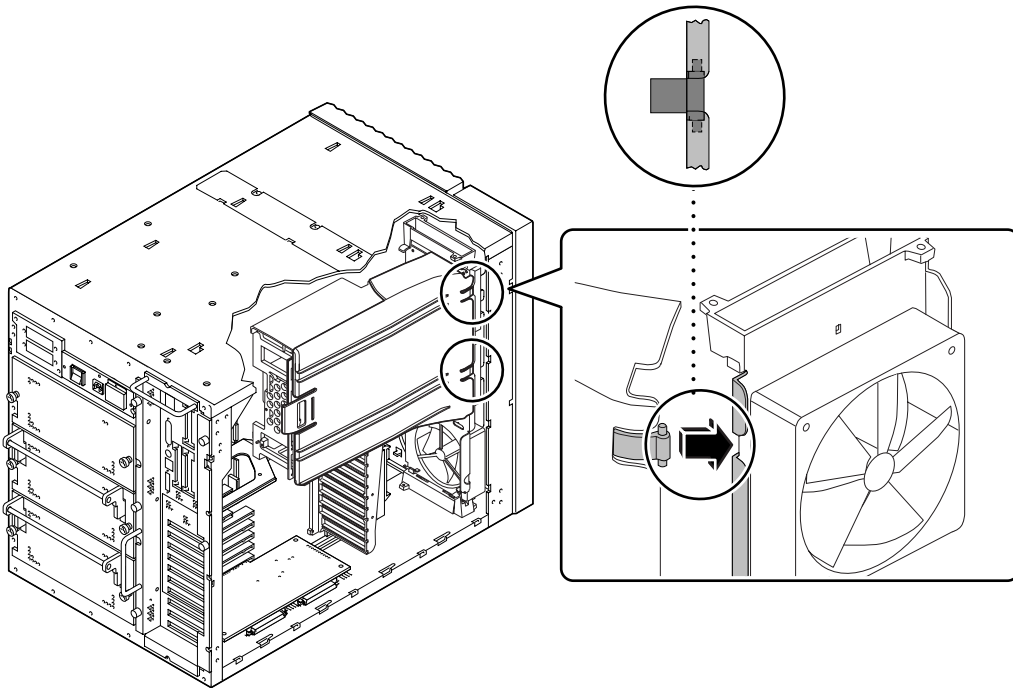
- 本文件第 zh\_TW-6 頁的「如何移除 CPU 空氣導引」

## 如何做

要置換 CPU 空氣導引，執行下列動作：

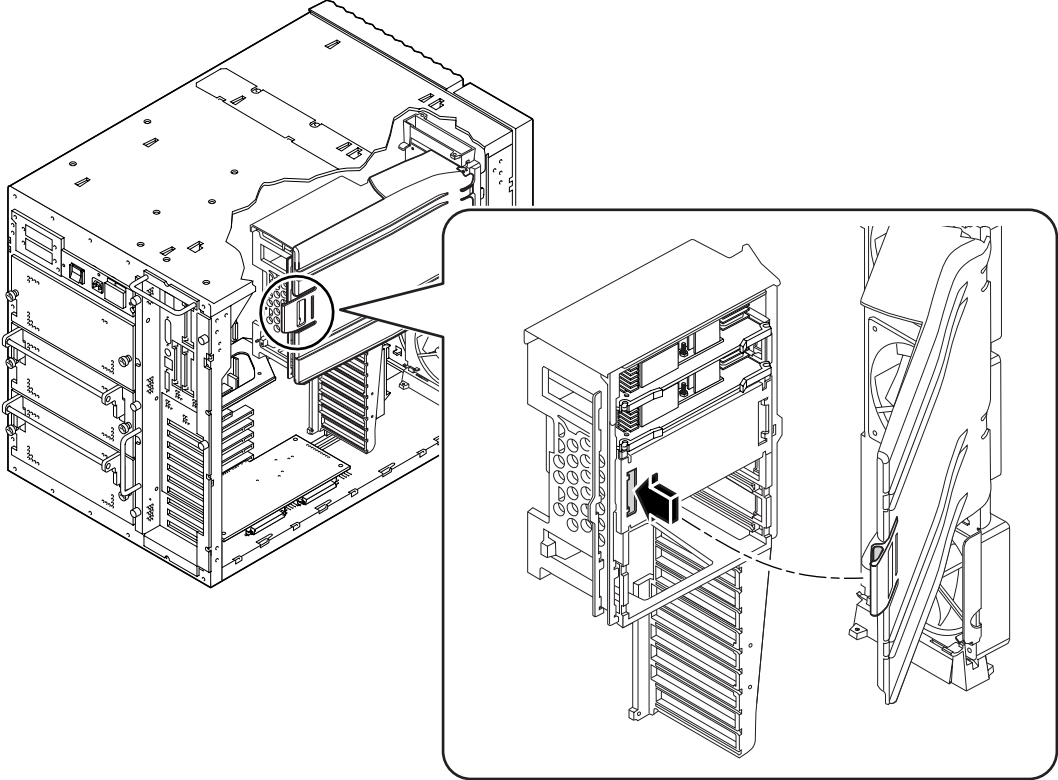
1. 將空氣導引的卡榫勾在 CPU 風扇托盤組件中的插槽下。

空氣導引應該保持一定的角度以提供足夠的空間使卡榫能勾在 CPU 風扇托盤組件中的插槽下。



2. 將空氣導引朝基座後方滑進去使它的卡榫在 CPU 風扇托盤組件上掛好。

3. 將空氣導引轉進主邏輯板上的 Y 托架，並將栓子卡緊。



## 接下來

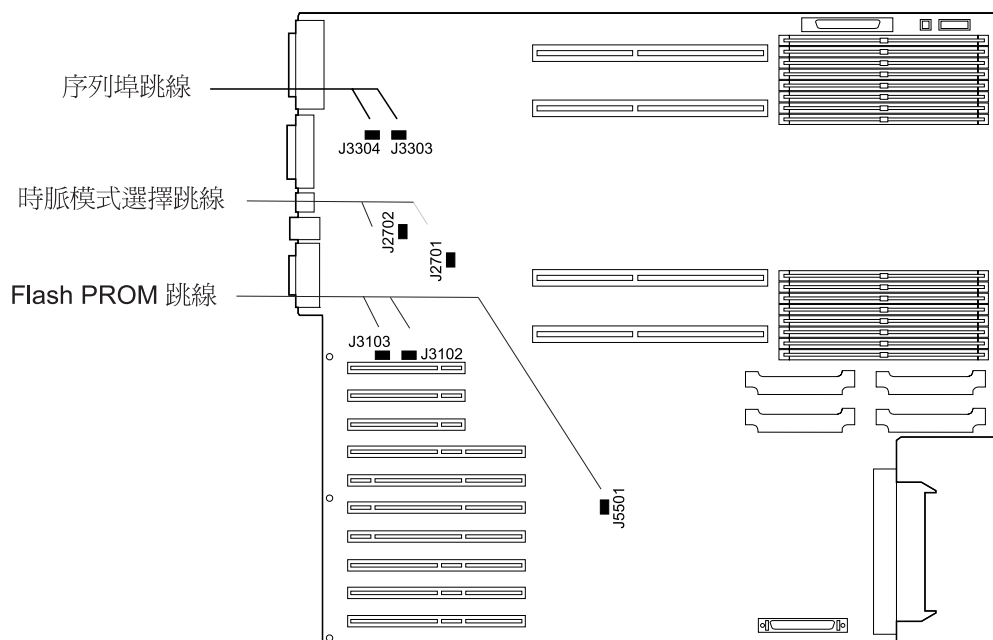
請參閱《*Ultra Enterprise 450 伺服器所有者指南*》以取得重新裝配及重新啓動系統的說明。

## 主邏輯板跳線

下列資訊將取代《Ultra Enterprise 450 伺服器所有者指南》中關於主邏輯板跳線的資訊：

**注意** - 與「關於時脈模式選擇跳線」一節中的表格不同的是，時脈模式選擇跳線 (J2701 和 J2702) 目前用於 Sun Enterprise 450 伺服器主邏輯板 (501-5673) 上。

下圖標示出主邏輯板上時脈模式選擇跳線的位置。





在位址 J2701 和 J2702 處設定時脈模式跳線器以與 UltraSPARC II CPU 模組的速度相符。啓動系統之前，驗證跳線設定是否正確。

| 時脈速度    | J2701 | J2702 |
|---------|-------|-------|
| 250-MHz | 1 + 2 | 2 + 3 |
| 300-MHz | 1 + 2 | 2 + 3 |
| 400-MHz | 2 + 3 | 2 + 3 |
| 480-MHz | 2 + 3 | 1 + 2 |

描述三種 Flash PROM 跳線之設定的表格不正確。正確的表格如下所示。

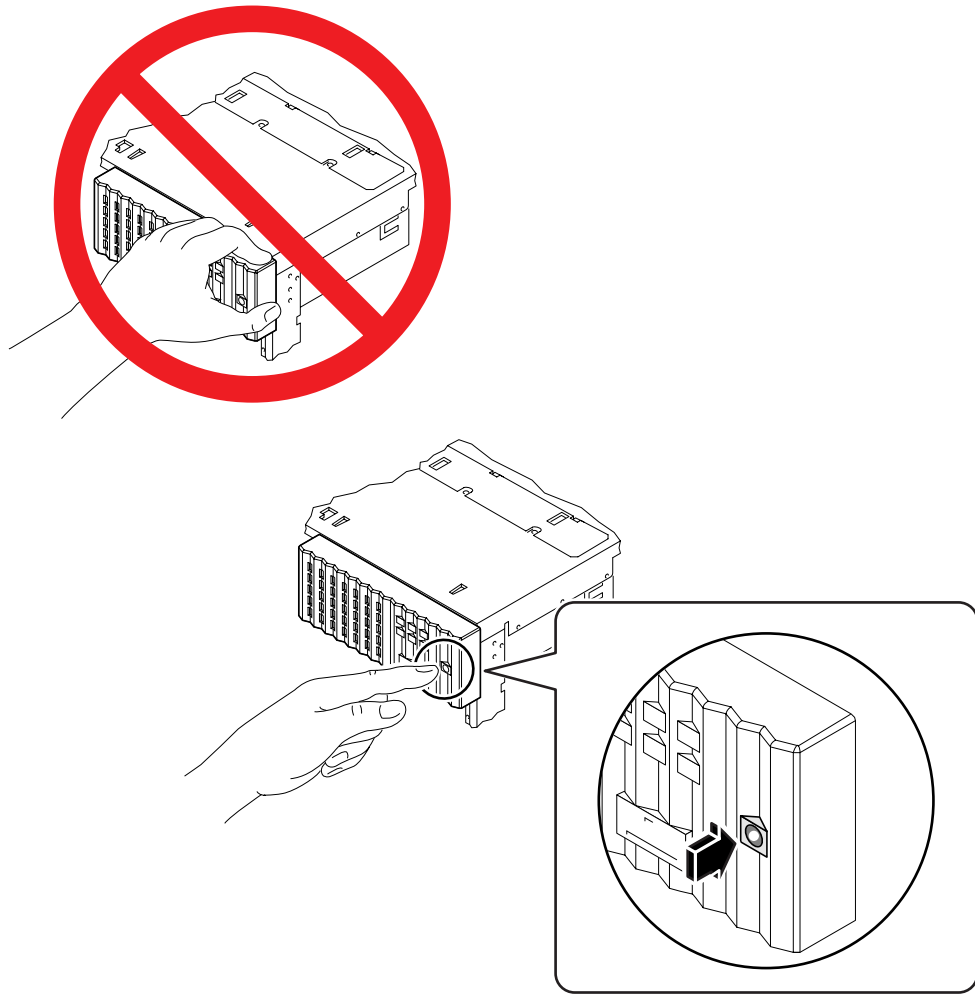
| 跳線    | 跳線器位於腳 1 和腳 2 上 | 跳線器位於腳 2 和腳 3 上 | 預設的跳線器位置     | 控制的信號                     |
|-------|-----------------|-----------------|--------------|---------------------------|
| J3102 | Flash PROM      | 不使用             | 位於腳 1 和腳 2 上 | FLASH PROM SEL            |
| J3103 | 寫入保護            | 可寫入             | 位於腳 2 和腳 3 上 | FLASH PROM PROG<br>ENABLE |
| J5501 | 高半區啓動           | 正常啓動            | 位於腳 2 和腳 3 上 | XOR LOGIC SET             |

## 開啓與關閉可拆式多媒體組件的門

要開啓可拆式多媒體組件的門，壓一下門右邊的按鈕即可。



**警告** – 請勿拉扯可拆式多媒體組件的門。拉扯門會破壞它的門門。



要關閉可拆式多媒體組件的門，壓一下門右邊的按鈕即可。

---

## 移除或安裝 NVRAM 模組



---

**警告** – 在主邏輯板上移除或安裝 NVRAM 模組之前，確認中斷該主機板與其電源連接器的連接。不這樣做可能會損壞儲存在 NVRAM 模組上的資訊，並對系統操作造成不良影響。要中斷主邏輯板與其電源連接器的連接，鬆開將主機板固定到系統後面板的緊固螺絲，並向外拉板後面的手柄，直到板完全脫離其電源連接器。

---

---

## 判定電源需求

現在 Sun Enterprise 450 伺服器的最低配置包括兩個電源供應器，可為所有支援的配置提供充足的電源。

---

**注意** – 如果系統配置要求多餘的電源，則可能需要新增第三個電源供應器。

---

## 系統電源需求工作單

下列資訊是對《Ultra Enterprise 450 伺服器所有者指南》中「系統電源需求工作單」一節的補充。如果您正在安裝下列任何元件，請使用下表計算您所需的電源需求：

- 附有 8 MB Ecache 的 480-MHz CPU 模組
- 附有 4 MB Ecache 的 400-MHz CPU 模組
- SunCD™ 32 CD-ROM
- DVD ROM
- 18 GB 的硬碟機
- 36 GB 的硬碟機
- DDS4 磁帶機

| 行號              | 選件   | 數量 | 直流<br>+3.3 伏<br>安培數 | 總安培數@<br>(電壓 3.3 伏) | 直流<br>+5 伏<br>安培數 | 總安培數@<br>(電壓 5 伏) | 直流<br>+12 伏<br>安培數 | 總安培數@<br>(電壓 12 伏) |
|-----------------|--|----|---------------------|---------------------|-------------------|-------------------|--------------------|--------------------|
| <b>CPU 選件</b>   |  |    |                     |                     |                   |                   |                    |                    |
|                 | 480-MHz CPU<br>(附有 8 MB Ecache<br>和 DC/DC 轉換器) |    | 7.5                 |                     | 6.7               |                   |                    |                    |
|                 | 400-MHz CPU<br>(附有 4 MB Ecache<br>和 DC/DC 轉換器) |    | 5.0                 |                     | 5.6               |                   |                    |                    |
| <b>內部儲存裝置選件</b> |  |    |                     |                     |                   |                   |                    |                    |
|                 | SunCD 32 CD-ROM                                |    |                     |                     | 0.55              |                   | 0.61               |                    |
|                 | DVD ROM  |    |                     |                     | 0.42              |                   | 0.51               |                    |
|                 | 18 GB 硬碟機                                      |    |                     |                     | 0.8               |                   | 0.5                |                    |
|                 | 36 GB 硬碟機                                      |    |                     |                     | 0.8               |                   | 0.5                |                    |
|                 | DDS4 磁帶機                                       |    |                     |                     | 0.9               |                   | 0.5                |                    |

---

## 電源記憶體鎖存功能

Sun Enterprise 450 電源有記憶體鎖存功能，使電源能「記住」它在回應電源故障或交流電源線的移除時，最後一次電源開/關狀態。此功能使電源可以在電力恢復後自動恢復操作。它還啓用電源的熱交換。

在一些情況下，此功能可能被錯誤地診斷為電源故障。如果從一個關閉了的系統中取下電源，並試圖通過熱插入將它安裝到開啓的系統中，則該電源將保持在「關」的狀態。不要以為這是電源故障。要啓動電源，只需將前面板上的鑰匙開關從「開」的位置轉到「診斷」的位置，然後重新轉回「開」的位置。或者，可以按連接到系統上的 Sun Type-5 鍵盤上的 Power-On 鍵。

---

## 系統軟體要求

Sun Enterprise 450 伺服器要求 Solaris 2.5.1 Hardware : 11/97、Solaris 2.6 Hardware : 5/98、Solaris 7、Solaris 8 或後續相容的 Solaris 版次。要驗證 Sun Enterprise 450 伺服器上是否已安裝了正確版本的作業環境，請檢查 `/etc/release` 檔。此檔案應包含（例如）“Solaris 2.5.1 Hardware : 11/97” 的文字或是會辨識後續相容的 Solaris 版次。

關於軟體相容性的詳細資訊，請參閱 Sun 的出版品《*Installing Solaris Software for Selected Hardware*》(806-4005)，其隨附於 Operating Environment Installation CD。

關於 Solaris 軟體版次所需的所有增補程式，都可以在下列 URL 的 SunSolve Online 網站上找到：

<http://sunsolve.Sun.COM/>

---

## SPARCstorage MultiPack 單元

Sun Enterprise 450 伺服器嵌入式或擴充式 PCI SCSI 主機匯流排配接卡 (HBA)，與一些包含有 UltraSCSI (Fast-20) 功能的磁碟機的、舊的 Fast/Wide SCSI SPARCstorage™ MultiPack (SMP) 單元之間，存在相容性問題。Sun Enterprise 450 伺服器上可用的 HBA，在 UltraSCSI 設備存在時，預設使用 UltraSCSI 操作。但是，一些 SPARCstorage MultiPack 單元(6 和 12 磁碟機版本)不支援 UltraSCSI 操作。試圖使用這樣的配置可能會導致 SCSI 匯流排性能的降低，並可能引發系統混亂。

解決方法：使用此配置之前，為每個 SMP 連接的控制器實例停用 UltraSCSI 模式。有關細節，參考 pci(4)、glm(7D) 和 isp(7D) 線上說明手冊。

---

**注意** – 另一種替代的解決方法是透過 `/etc/system` 進行全面 SCSI 選項變更，可能導致內部系統磁碟底板上的 UltraSCSI 模式流失。

---

6 磁碟機的 SPARCstorage MultiPack 2 系統 (有 UltraSCSI 功能) 沒有這種問題存在。

---

## 環境要求

下列資訊是英文版的《Ultra Enterprise 450 伺服器所有者指南》(805-0429-10) 附錄 B「系統規格」中「環境要求」一節的補充資料。

---

| 參數   | 數值  |
|------|---|
| 作業狀態 |   |
| 溫度   | 5°C 到 40°C <sup>1</sup> (41°F 到 95°F) — IEC 68-2-1、68-2-2 |
| 高度   | 0 到 3000 公尺 (0 到 10,000 呎) — IEC 68-2-40、68-2-41          |

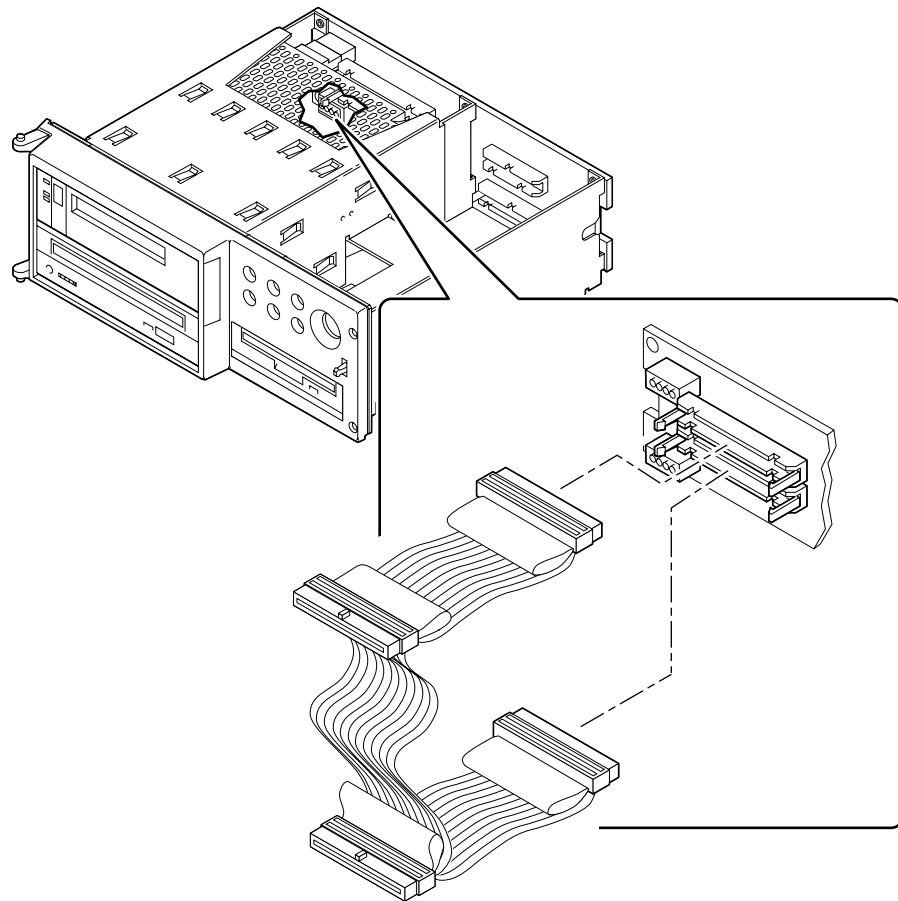
---

1. 當安裝一或多個 400-MHz 模組時，上述 1500 公尺 (5000 呎) 支援的最大作業環境溫度，會從 40°C (95°F) 開始，以每 304.8 公尺 (1000 呎) 減少 0.8°C (1.44°F) 的比率降低，最大可至 3000 公尺 (10,000 呎)。

## 安裝 SCSI 磁碟機資料電纜線

《Ultra Enterprise 450 伺服器所有者指南》及《ShowMe How Multimedia》應用程式所描述之如何在可拆式媒體組件中安裝 SCSI 磁碟機資料電纜線是不正確的。兩書中的程序顯示：在電纜線每一尾端的接頭連接到 SCSI 磁碟機，電纜線中間的兩個接頭接到可拆式媒體的背面板。這些程序不是正確的。

正確安裝電纜線的方式是將電纜線的兩個尾端連接到可拆式媒體的背面板，如下所示。



請參考本圖，當您執行下述《Ultra Enterprise 450 伺服器所有者指南》說明的程序及《ShowMe How Multimedia》應用程式中相關的程序：

- 「如何移除可拆式媒體背面板」
- 「如何安裝可拆式媒體背面板」
- 「如何移除 CD-ROM 光碟機或磁帶機」
- 「如何安裝 CD-ROM 光碟機或磁帶機」
- 「如何移除 SCSI 磁碟機資料電纜線」
- 「如何安裝 SCSI 磁碟機資料電纜線」

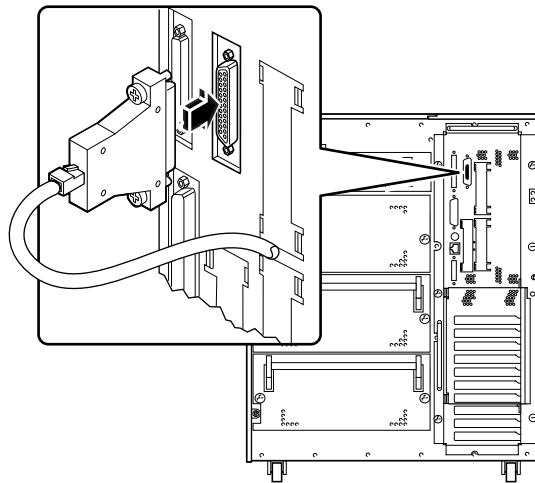
---

**注意** – 如果按照《Ultra Enterprise 450 伺服器所有者指南》及《ShowMe How Multimedia》應用程式原來的說明來安裝電纜線，並不會對系統作業或執行上產生不良的影響。不過，若您依照本「產品說明」所示來安裝電纜線，會比較容易安裝，而且安裝時也比較不會造成損害。

---

## 連接字母數字終端機

《Ultra Enterprise 450 伺服器所有者指南》中的圖示標識的伺服器後面板上的序列埠連接器的位置不正確。正確位置如下圖所示。





---

## 架裝 Sun Enterprise 450 伺服器

備有可選的架裝套件，用於將 Sun Enterprise 450 伺服器安裝到 EIA 標準 19 英寸機架。關於其他細節，請與 Sun 授權銷售代表聯絡。

Sun Enterprise 450 伺服器架裝佈置資訊可在下列 URL 的 Web 上找得：

<http://docs.sun.com>

按一下 Hardware 部分的「Storage & Peripherals」開啓 *Rackmount Placement Matrix*。

---

**注意** – 在 Sun Enterprise 擴充櫃中安裝 Sun Enterprise 450 伺服器之前，確認移除了櫃子背面底部的擋板。移除擋板就可以將兩個 Sun Enterprise 450 伺服器裝入櫃子內。有關更多細節，參見與 Sun Enterprise 擴充櫃一起提供的文件資料。

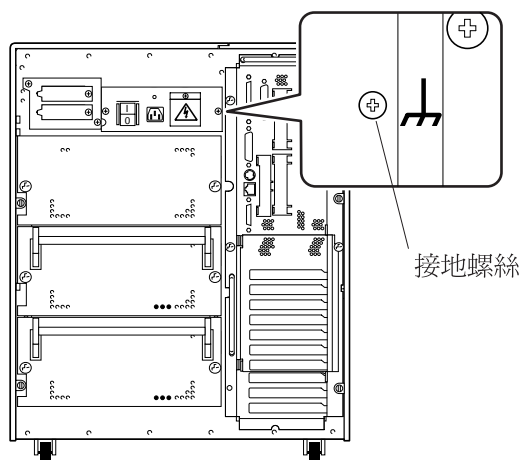
---

---

## 連接架裝的周邊設備

將台式 Sun Enterprise 450 伺服器連接到任何架裝的周邊設備時，確認在伺服器和機架外殼之間連接適當的接地條。此接地條可以防止兩個系統之間形成接地迴路，並防止可能的資料流失。

通常接地條與機架外殼一起提供。根據與外殼一起提供的指示，將接地條的一端連到機架外殼上指定的接地點。將另一端連到 Sun Enterprise 450 伺服器上的接地螺絲，如下圖所示。確認完全擰緊接地螺絲，以保證良好的連接。



---

**警告** – Sun Enterprise 450 伺服器上的接地螺絲是一個關鍵的組件，在發生系統電源故障時提供保護以防止電力方面的危險。如果不能裝回並完全擰緊接地螺絲，將造成危險的情況。

---

## 電磁相容性

Sun Enterprise 450 伺服器系統滿足符合國際標準的電磁干擾 (EMI) Class A 的要求。其中一些標準在本文件開頭「Regulatory Compliance Statements」的「Declaration of Conformity」中說明。



---

**警告** – 請閱讀本文件開頭「Regulatory Compliance Statements」中關於 Class A 方面的知識。有數種可供您修正干擾問題的標準。關於其他修正細節，請參閱「Regulatory Compliance Statements」的「FCC Class B Notice」。

---

---

## 上層電扇組件

Sun Enterprise 450 伺服器中不再有上層電扇組件（零件號 540-3023）；但是，《*Ultra Enterprise 450 伺服器所有者指南*》和 *ShowMe How Multimedia* 套用程式中的步驟仍假定此零件存在。對於所有涉及移除主邏輯板的步驟，都會指示在移除板之前中斷上層電扇與主邏輯板的連接。由於您的系統中不包括上層電扇組件，您完全可以忽略此步驟。

---

## 電源內鎖

Sun Enterprise 450 伺服器提供電源內鎖安全機制。移除任一系統側面板會啟動系統電源內鎖開關。此安全機制在某一側面板移除而且交流電源開關仍開啓時，可防止直流電壓危及內部組件。不要在系統執行時移除任一側面板。這樣做會導致系統電源突然中斷。

## 說明部份錯誤

下列資訊是對《Ultra Enterprise 450 伺服器所有者指南》中表的補充。

**注意** – 本節表列的零件號碼在「產品說明」出版時是正確的，但若有變更並不會另行通知。請與獲授權的 Sun 銷售代表或服務供應商聯繫，確認之前的零件編號以訂購更換部份。

| 種類         | 更換部份                                    | 零件編號                  |
|------------|---|-----------------------|
| 主邏輯板及元件    | 主邏輯板，250 和 300 MHz                      | 501-5270              |
|            | 主邏輯板，400 MHz                            | 501-5672              |
|            | 主邏輯板，480 MHz                            | 501-5673              |
|            | DIMM，256 MB、60 NS                       | 501-4743              |
|            | UltraSPARC II CPU (250 MHz、1 MB Ecache) | 501-4857              |
|            | UltraSPARC II CPU (300 MHz、2 MB Ecache) | 501-4849              |
|            | UltraSPARC II CPU (400 MHz、4 MB Ecache) | 501-5239              |
|            | UltraSPARC II CPU (480 MHz、8 MB Ecache) | 501-5729              |
| 背面板        | 8 個插槽的 UltraSCSI 背面板                    | 501-5274              |
| Storage 裝置 | SunCD 32 CD-ROM 光碟機                     | 370-3416              |
|            | DVD ROM 光碟機                             | 390-0025              |
|            | 9 GB UltraSCSI 磁碟機，7200 rpm             | 501-3704              |
|            | 18 GB UltraSCSI 磁碟機                     | 540-4177              |
|            | 36 GB UltraSCSI 磁碟機                     | 540-4521              |
|            | DDS4 磁帶機                                | 390-0028              |
| 內部電纜線      | LED 介面電纜線                               | 530-2363 <sup>1</sup> |

1. 取代 530-2362

本製品およびそれに関連する文書は著作権法により保護されており、その使用、複製、頒布および逆コンパイルを制限するライセンスのもとにおいて頒布されます。サン・マイクロシステムズ株式会社の書面による事前の許可なく、本製品および関連する文書のいかなる部分も、いかなる方法によっても複製することが禁じられます。

本製品の一部は、カリフォルニア大学からライセンスされている Berkeley BSD システムに基づいていることがあります。UNIX は、X/Open Company Limited が独占的にライセンスしている米国ならびに他の国における登録商標です。本製品のフォント技術を含む第三者のソフトウェアは、著作権法により保護されており、提供者からライセンスを受けているものです。

RESTRICTED RIGHTS: Use, duplication, or disclosure by the U.S. Government is subject to restrictions of FAR 52.227-14(g)(2)(6/87) and FAR 52.227-19(6/87), or DFAR 252.227-7015(b)(6/95) and DFAR 227.7202-3(a).

本製品は、株式会社モリサワからライセンス供与されたリュウミン L-KL (Ryumin-Light) および中ゴシック BBB (GothicBBB-Medium) のフォント・データを含んでいます。

本製品に含まれる HG 明朝 L と HG ゴシック B は、株式会社リコーがリコービマジクス株式会社からライセンス供与されたタイプフェースマスタをもとに作成されたものです。平成明朝体 W3 は、株式会社リコーが財団法人 日本規格協会 文字フォント開発・普及センターからライセンス供与されたタイプフェースマスタをもとに作成されたものです。また、HG 明朝 L と HG ゴシック B の補助漢字部分は、平成明朝体 W3 の補助漢字を使用しています。なお、フォントとして無断複製することは禁止されています。

Sun, Sun Microsystems, Solaris のロゴ、AnswerBook2, doc.sun.com, Sun Enterprise, UltraSPARC, SunCD は、米国およびその他の国における米国 Sun Microsystems, Inc. (以下、米国 Sun Microsystems 社とします) の商標もしくは登録商標です。

サン・ロゴマークおよび Solaris は、米国 Sun Microsystems 社の登録商標です。

すべての SPARC 商標は、米国 SPARC International, Inc. のライセンスを受けて使用している同社の米国およびその他の国における商標または登録商標です。SPARC 商標が付いた製品は、米国 Sun Microsystems 社が開発したアーキテクチャーに基づくものです。

Java およびその他の Java を含む商標は、米国 Sun Microsystems 社の商標であり、同社の Java ブランドの技術を使用した製品を指します。

OPENLOOK, OpenBoot, JLE は、サン・マイクロシステムズ株式会社の登録商標です。

ATOK は、株式会社ジャストシステムの登録商標です。ATOK8 は、株式会社ジャストシステムの著作物であり、ATOK8 にかかる著作権その他の権利は、すべて株式会社ジャストシステムに帰属します。ATOK Server/ATOK12 は、株式会社ジャストシステムの著作物であり、ATOK Server/ATOK12 にかかる著作権その他の権利は、株式会社ジャストシステムおよび各権利者に帰属します。

Netscape, Navigator は、米国 Netscape Communications Corporation の商標です。Netscape Communicator については、以下をご覧ください。Copyright 1995 Netscape Communications Corporation. All rights reserved.

本書で参照されている製品やサービスに関しては、該当する会社または組織に直接お問い合わせください。

OPEN LOOK および Sun Graphical User Interface は、米国 Sun Microsystems 社が自社のユーザーおよびライセンス実施権者向けに開発しました。米国 Sun Microsystems 社は、コンピュータ産業用のビジュアルまたはグラフィカル・ユーザーインターフェースの概念の研究開発における米国 Xerox 社の先駆者としての成果を認めるものです。米国 Sun Microsystems 社は米国 Xerox 社から Xerox Graphical User Interface の非独占的ライセンスを取得しており、このライセンスは米国 Sun Microsystems 社のライセンス実施権者にも適用されます。

本書には、技術的な誤りまたは誤植のある可能性があります。また、本書に記載された情報には、定期的に変更が行われ、かかる変更は本書の最新版に反映されます。さらに、米国サンまたは日本サンは、本書に記載された製品またはプログラムを、予告なく改良または変更することがあります。

本製品が、外国為替および外国貿易管理法 (外為法) に定められる戦略物資等 (貨物または役務) に該当する場合、本製品を輸出または日本国外へ持ち出す際には、サン・マイクロシステムズ株式会社の書面による承諾を得ることのほか、外為法および関連法規に基づく輸出手続き、また場合によっては、米国商務省または米国所轄官庁の許可を得ることが必要です。

© 2000 by Sun Microsystems, Inc. 901 SAN ANTONIO ROAD, PALO ALTO CA 94303-4900. All rights reserved.

Copyright 2000 Sun Microsystems, Inc., 901 San Antonio Road • Palo Alto, CA 94303-4900 USA. 모든 권리는 저작권자의 소유입니다.

본 제품 및 설명서는 저작권에 의해 보호되며 사용, 복사, 배포, 변경을 제한하는 승인하에 배포됩니다. 본 제품 및 설명서의 어떤 부분도 Sun사와 스승인자의 사전 서면 승인없이 어떠한 형태나 방법으로도 재생산될 수 없습니다. 글꼴 기술을 포함한 타사의 소프트웨어도 저작권에 의해 보호되며 Sun사의 공급업체에 의해 승인되었습니다.

이 제품의 일부는 캘리포니아 대학에서 승인된 Berkeley BSD 시스템을 토대로 합니다. UNIX는 미국 및 기타 국가에서 X/Open Company, Ltd.에 독점권이 부여된 등록 상표입니다. Netscape Communicator™에 대하여 다음 사항을 적용: Copyright 1995 Netscape Communications Corporation. 모든 권리는 저작권자의 소유입니다.

Sun, Sun Microsystems, the Sun logo, AnswerBook2, docs.sun.com, Sun Enterprise, OpenBoot, SunCD 및 Solaris는 미국 및 기타 국가에서 Sun Microsystems, Inc.의 상표, 등록 상표 또는 서비스 마크입니다. 모든 SPARC 상표는 SPARC International, Inc.의 승인하에 사용되는 상표 또는 등록 상표입니다. SPARC 상표가 있는 제품은 Sun Microsystems, Inc.가 개발한 구조를 기반으로 합니다.

OPEN LOOK과 Sun™ Graphical User Interface는 Sun Microsystems, Inc.가 사용자 및 승인자를 위해 개발한 것입니다. Sun사는 Xerox사의 컴퓨터 산업 개발을 위한 비주얼 및 그래픽 사용자 인터페이스 개념 연구와 개발에 선구적인 업적을 치하합니다. Sun사는 Xerox사로부터 Xerox Graphical User Interface에 대한 비독점권을 부여 받았으며 이 권한은 OPEN LOOK GUI를 구현하는 Sun사의 승인자에게도 해당하며 Sun사의 서면 허가 계약에 준합니다.

출판물은 "사실"만을 제공하며 본 제품의 시장성, 합목적성, 특허권 및 비침해에 대한 묵시적인 보증을 비롯한 모든 명시적, 묵시적인 조건 제시, 책임이나 보증을 하지 않습니다. 단, 이러한 권리가 법적으로 무효가 되는 경우는 예외로 합니다.

Copyright 2000 Sun Microsystems, Inc., 901 San Antonio Road • Palo Alto, CA 94303-4900 USA. 版权所有。

本产品或文档受版权保护，且按照限制其使用、复制、分发和反编译的许可证进行分发。未经 Sun 及其许可证颁发机构的书面授权，不得以任何方式、任何形式复制本产品或本文档的任何部分。第三方软件，包括字体技术，由 Sun 供应商提供许可和版权。

本产品的某些部分从 Berkeley BSD 系统派生而来，经 University of California 许可授权。UNIX 是在美国和其它国家注册的商标，经 X/Open Company, Ltd. 独家许可授权。下列声明适用于 Netscape Communicator™：Copyright 1995 Netscape Communications Corporation. 版权所有。

Sun、Sun Microsystems、Sun 徽标、AnswerBook2、docs.sun.com、Sun Enterprise、OpenBoot、SunCD 和 Solaris 是 Sun Microsystems, Inc. 在美国和其它国家的商标、注册商标或服务标记。所有的 SPARC 商标都按许可证使用，是 SPARC International, Inc. 在美国和其它国家的商标或注册商标。带有 SPARC 商标的产品均基于由 Sun Microsystems, Inc. 开发的体系结构。

OPEN LOOK 和 Sun™ 图形用户界面是 Sun Microsystems, Inc. 为其用户和许可证持有人开发的。Sun 承认 Xerox 在为计算机行业研究和开发可视或图形用户界面所作出的先行努力。Sun 以非独占方式从 Xerox 获得 Xerox 图形用户界面的许可证，该许可证涵盖实施 OPEN LOOK GUI 且遵守 Sun 的书面许可协议的许可证持有人。

本资料按“现有形式”提供，不承担明确或隐含的条件、陈述和保证，包括对特定目的的商业活动和适用性或非侵害性的任何隐含保证，除非这种不承担责任的声明是不合法的。

Copyright 2000 Sun Microsystems, Inc., 901 San Antonio Road • Palo Alto, CA 94303-4900 USA. 版權所有。

本產品或文件受版權保護，且按照限制其使用、複製、分發和反編譯的授權許可進行分發。未經Sun及其授權許可頒發機構的書面授權，不得以任何方式、任何形式複製本產品或本文件的任何部分。協力廠商軟體，包括字型技術，由Sun供應商提供許可和版權。

本產品的某些部分從 Berkeley BSD 系統衍生而來，經 University of California 許可授權。UNIX 是在美國和其它國家註冊的商標，經 X/Open Company, Ltd. 獨家許可授權。以下聲明適用於 Netscape Communicator™： Copyright 1995 Netscape Communications Corporation. 版權所有。

Sun、Sun Microsystems、Sun 標誌、AnswerBook2、docs.sun.com、Sun Enterprise、OpenBoot、SunCD 以及 Solaris 是 Sun Microsystems, Inc. 在美國與其它國家的商標、註冊商標或服務標記。所有的 SPARC 商標都按授權許可使用，是 SPARC International, Inc. 在美國和其它國家的商標或註冊商標。具有 SPARC 商標的產品都基於 Sun Microsystems, Inc. 開發的架構。

OPEN LOOK 和 Sun™ 圖形使用者界面是 Sun Microsystems, Inc. 為其使用者和授權許可持有人開發的。Sun 承認 Xerox 在為電腦行業研究和開發可視或圖形使用者界面方面所作出的先行努力。Sun 以非獨佔方式從 Xerox 獲得 Xerox 圖形使用者界面的授權許可，該授權許可涵蓋實施 OPEN LOOK GUI 且遵守 Sun 的書面許可協議的授權許可持有人。

本資料按「現有形式」提供，不承擔明確或隱含的條件、陳述和保證，包括對特定目的或非侵害性的商業活動和適用性的任何隱含保證，除非這種不承擔責任的聲明是不合法的。