

Ultra Enterprise™ 450 Server

Product Notes

Produkthinweise

Notas sobre el producto

Remarques sur le produit

Note sul prodotto

Produktinformation



THE NETWORK IS THE COMPUTER™

Sun Microsystems, Inc.
901 San Antonio Road
Palo Alto, CA 94303-4900 USA
650 960-1300 Fax 650 969-9131

Part No. 805-6577-11
June, 1999, Revision A

Send comments about this document to: docfeedback@sun.com

Copyright 1999 Sun Microsystems, Inc., 901 San Antonio Road • Palo Alto, CA 94303 USA. All rights reserved.

This product or document is protected by copyright and distributed under licenses restricting its use, copying, distribution, and decompilation. No part of this product or document may be reproduced in any form by any means without prior written authorization of Sun and its licensors, if any. Third-party software, including font technology, is copyrighted and licensed from Sun suppliers.

Parts of the product may be derived from Berkeley BSD systems, licensed from the University of California. UNIX is a registered trademark in the U.S. and other countries, exclusively licensed through X/Open Company, Ltd.

Sun, Sun Microsystems, the Sun logo, AnswerBook, Ultra Enterprise, SunCD, and Solaris are trademarks, registered trademarks, or service marks of Sun Microsystems, Inc. in the U.S. and other countries. All SPARC trademarks are used under license and are trademarks or registered trademarks of SPARC International, Inc. in the U.S. and other countries. Products bearing SPARC trademarks are based upon an architecture developed by Sun Microsystems, Inc.

The OPEN LOOK and Sun™ Graphical User Interface was developed by Sun Microsystems, Inc. for its users and licensees. Sun acknowledges the pioneering efforts of Xerox in researching and developing the concept of visual or graphical user interfaces for the computer industry. Sun holds a non-exclusive license from Xerox to the Xerox Graphical User Interface, which license also covers Sun's licensees who implement OPEN LOOK GUIs and otherwise comply with Sun's written license agreements.

RESTRICTED RIGHTS: Use, duplication, or disclosure by the U.S. Government is subject to restrictions of FAR 52.227-14(g)(2)(6/87) and FAR 52.227-19(6/87), or DFAR 252.227-7015(b)(6/95) and DFAR 227.7202-3(a).

DOCUMENTATION IS PROVIDED "AS IS" AND ALL EXPRESS OR IMPLIED CONDITIONS, REPRESENTATIONS AND WARRANTIES, INCLUDING ANY IMPLIED WARRANTY OF MERCHANTABILITY, FITNESS FOR A PARTICULAR PURPOSE OR NON-INFRINGEMENT, ARE DISCLAIMED, EXCEPT TO THE EXTENT THAT SUCH DISCLAIMERS ARE HELD TO BE LEGALLY INVALID.

Copyright 1999 Sun Microsystems, Inc., 901 San Antonio Road • Palo Alto, CA 94303 Etats-Unis. Tous droits réservés.

Ce produit ou document est protégé par un copyright et distribué avec des licences qui en restreignent l'utilisation, la copie, la distribution, et la décompilation. Aucune partie de ce produit ou document ne peut être reproduite sous aucune forme, par quelque moyen que ce soit, sans l'autorisation préalable et écrite de Sun et de ses bailleurs de licence, s'il y en a. Le logiciel détenu par des tiers, et qui comprend la technologie relative aux polices de caractères, est protégé par un copyright et licencié par des fournisseurs de Sun.

Des parties de ce produit pourront être dérivées des systèmes Berkeley BSD licenciés par l'Université de Californie. UNIX est une marque déposée aux Etats-Unis et dans d'autres pays et licenciée exclusivement par X/Open Company, Ltd.

Sun, Sun Microsystems, le logo Sun, AnswerBook, Ultra Enterprise, SunCD, et Solaris sont des marques de fabrique ou des marques déposées, ou marques de service, de Sun Microsystems, Inc. aux Etats-Unis et dans d'autres pays. Toutes les marques SPARC sont utilisées sous licence et sont des marques de fabrique ou des marques déposées de SPARC International, Inc. aux Etats-Unis et dans d'autres pays. Les produits portant les marques SPARC sont basés sur une architecture développée par Sun Microsystems, Inc.

L'interface d'utilisation graphique OPEN LOOK et Sun™ a été développée par Sun Microsystems, Inc. pour ses utilisateurs et licenciés. Sun reconnaît les efforts de pionniers de Xerox pour la recherche et le développement du concept des interfaces d'utilisation visuelle ou graphique pour l'industrie de l'informatique. Sun détient une licence non exclusive de Xerox sur l'interface d'utilisation graphique Xerox, cette licence couvrant également les licenciés de Sun qui mettent en place l'interface d'utilisation graphique OPEN LOOK et qui en outre se conforment aux licences écrites de Sun.

CETTE PUBLICATION EST FOURNIE "EN L'ETAT" ET AUCUNE GARANTIE, EXPRESSE OU IMPLICITE, N'EST ACCORDEE, Y COMPRIS DES GARANTIES CONCERNANT LA VALEUR MARCHANDE, L'APTITUDE DE LA PUBLICATION A REpondre A UNE UTILISATION PARTICULIERE, OU LE FAIT QU'ELLE NE SOIT PAS CONTREFAISANTE DE PRODUIT DE TIERS. CE DENI DE GARANTIE NE S'APPLIQUERAIT PAS, DANS LA MESURE OU IL SERAIT TENU JURIDIQUEMENT NUL ET NON AVENU.



Declaration of Conformity

Compliance ID: Q36
Product Name: Ultra Enterprise 450, Ultra 450 Creator, Ultra 450 Creator3D, and Ultra 450 Elite3D families

EMC

USA – FCC Class A

This equipment complies with Part 15 of the FCC Rules. Operation is subject to the following two conditions:

1. This equipment may not cause harmful interference.
2. This equipment must accept any interference that may cause undesired operation.

European Union

This equipment complies with the following requirements of the EMC Directive 89/336/EEC:

EN55022 / CISPR22 (1985)	Class A	Integrity Design & Test Services, Inc. Report Nos: 61419.E2, 61233.E3 Curtis-Straus, LLC. Report No: E990396-1
EN50082-1	IEC801-2 (1991)	8 kV (Direct), 15 kV (Air)
	IEC801-3 (1984)	10 V/m, 80% AM at 1KHz
	IEC801-4 (1988)	4.0 kV Power Lines, 1 kV Signal Lines
	IEC801-5	2 kV Power Lines (L-L, L-G) 1 kV Signal Lines (L-G, Shield-G)
EN61000-3-2/IEC1000-3-2 (1994)	Pass	

Safety

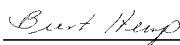
This equipment complies with the following requirements of the Low Voltage Directive 73/23/EEC:

EC Type Examination Certificates:

EN60950/IEC950 (1993)	TUV Rheinland Certificate No: S9771525
EN60950 w/ Nordic Deviations	CB Scheme Certificate No: UL1859-113363/USA

Supplementary Information

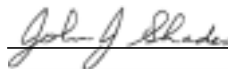
This product was tested and complies with all the requirements for the CE Mark.



June 8, 1999

Burt Hemp
Manager, Power and Compliance Engineering
Sun Microsystems, Inc.
One Network Drive UBUR03-213
Burlington, MA 01803-0903 USA
Tel: (781) 442-0006
Fax: (781) 442-1673

DATE
Engineering



June 8, 1999

John Shades
Quality Assurance Manager
Sun Microsystems Limited
Springfield, Linlithgow
West Lothian, EH49 7LR
Scotland, United Kingdom
Tel: 1506 670000
Fax: 1506 672323

DATE

Contents

Ultra Enterprise 450 Server Product Notes	1-1
Ultra Enterprise 450 Server Produkthinweise	2-1
Servidor Ultra Enterprise 450: notas sobre el producto	3-1
Remarques sur le serveur Ultra Enterprise 450	4-1
Note sul server Ultra Enterprise 450	5-1
Ultra Enterprise 450 Server Produktinformation	6-1

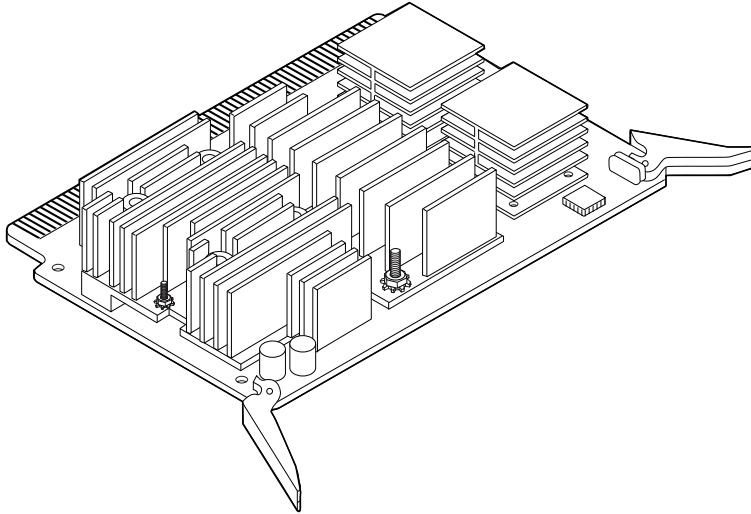
Ultra Enterprise 450 Server Product Notes

These Product Notes contain late-breaking product information that is not included in the system or the multimedia documentation for Ultra Enterprise™ 450 servers. Included in these Product Notes are the following topics:

- “About UltraSPARC II CPU Modules” on page 1-2
- “CPU Module Configuration Rules” on page 1-3
- “Installing a CPU Module” on page 1-3
- “Main Logic Board Jumpers” on page 1-4
- “Removing the NVRAM Module” on page 1-5
- “Determining Your Power Supply Needs” on page 1-5
- “Power Supply Memory Latch Function” on page 1-6
- “System Software Requirements” on page 1-6
- “SPARCstorage MultiPack Units” on page 1-7
- “Attaching an Alphanumeric Terminal” on page 1-8
- “Electromagnetic Compatibility” on page 1-8
- “Rackmounting the Ultra Enterprise 450 Server” on page 1-9
- “Connecting Rackmounted Peripherals” on page 1-9
- “Upper Blower Assembly” on page 1-10
- “Power Interlock” on page 1-11

About UltraSPARC II CPU Modules

The Ultra Enterprise 450 server supports up to four 250-, 300-, or 400-MHz UltraSPARC™ II CPU modules. The following figure shows the new unshrouded 400-MHz UltraSPARC II CPU module that has 4 Mbytes of integrated cache memory.



Identifying Your CPU Module

Before installing your CPU module, verify that the module is one of the following UltraSPARC II modules for Ultra Enterprise 450 server systems. The following table identifies CPU module speeds.

Module Speed (MHz)	Part Number
250 MHz	501-4857 or 501-4278
300 MHz	501-4849 or 501-4196
400 MHz	501-5239 or 501-5446

CPU Module Configuration Rules

Configure your UltraSPARC II CPU modules in your server according to the rules in the section “About CPU Modules” in the *Ultra Enterprise 450 Server Owner’s Guide*.



Caution – All CPUs installed in a system must operate at identical clock speeds.

Note – To re-calculate your system’s power consumption including the new CPU modules, see “Determining Your Power Supply Needs” on page 5 in these Product Notes, and then consult the section “How to Determine System Power Requirements” in the *Ultra Enterprise 450 Server Owner’s Guide*.

Installing a CPU Module

Before installing CPU modules, read the section “About CPU Modules” in the *Ultra Enterprise 450 Server Owner’s Guide*.



Caution – Before you install any CPU module, read the section “Main Logic Board Jumpers” on page 4, and verify that the jumper setting is correct for the speed of the CPU module you are installing. Serious system damage can result if your main logic board clock mode jumper is set incorrectly.

To install CPU modules in the Ultra Enterprise 450 server, follow the instructions in the section “How to Install a CPU Module” in the *Ultra Enterprise 450 Server Owner’s Guide*.

Note – Before you install the fourth CPU module in the top CPU slot (CPU-A1), remove the blank baffle installed in the connector (J0101). Grasp the blank baffle by the front handle and slide it out of the CPU slot.

Main Logic Board Jumpers

The following information supersedes the information presented in the *Ultra Enterprise 450 Server Owner's Guide* concerning main logic board jumpers:

- Contrary to the table in the section “About the Clock Mode Select Jumper,” the clock mode select jumper (J2701) is now used on the Ultra Enterprise 450 server main logic board (501-5270).

Set the clock mode jumper shunt at address J2701 to correspond to the speed of your UltraSPARC II CPU module. Verify that the jumper setting is correct before starting the system.

Jumper	Shunt on Pins 1 + 2 Selects	Shunt on Pins 2 + 3 Selects	Default Shunt ¹ on Pins	Signal Controlled
J2701	Correct clock mode for UltraSPARC II 250- and 300-MHz CPU modules	Correct clock mode for UltraSPARC II 400-MHz CPU modules	1 + 2	UPA_RATIO2

1. Factory setting for main logic boards shipped without CPU modules installed.

- The table describing the settings for the three flash PROM jumpers is incorrect. The corrected table appears below.

Jumper	Shunt on Pins 1 + 2 Selects	Shunt on Pins 2 + 3 Selects	Default Shunt on Pins	Signal Controlled
J3102	Flash PROM	Not To Be Used	1 + 2	FLASH PROM SEL
J3103	Write Protect	Write Enable	2 + 3	FLASH PROM PROG ENABLE
J5501	High Half Booting	Normal Booting	2 + 3	XOR LOGIC SET

Removing the NVRAM Module



Caution – Before removing or installing an NVRAM module on the main logic board, be sure to disconnect the board from its power connector. Failure to do so could corrupt the information stored in the NVRAM module and adversely affect operation of the system. To disconnect the main logic board from its power connector, loosen the captive screws that secure the board to the system rear panel, and pull the handles at the rear of the board until the board is fully disengaged from its power connector.

Determining Your Power Supply Needs

The minimum configuration of the Ultra Enterprise 450 server now includes two power supplies, which provide sufficient power for all supported configurations.

If your system configuration requires redundant power, you may need to add a third power supply.

About the System Power Requirements Worksheet

The following information is an addition to the section “System Power Requirements Worksheet” in the *Ultra Enterprise 450 Server Owner’s Guide*. If you are calculating your power needs for systems that will include one or more 400-MHz CPU modules and the SunCD™ 32 CD-ROM, you will need the following information for your calculations.

Line No.	Option	Qty	+3.3 VDC Amps	Total Amps @ 3.3 V	+5 VDC Amps	Total Amps @ 5 V	+12 VDC Amps	Total Amps @ 12 V
CPU Options								
	400 MHz CPU with 4 MB Ecache and DC/DC converter		5.0		5.6			
Internal Storage Device Options								
	SunCD 32 CD-ROM				0.55		0.61	

Power Supply Memory Latch Function

The Ultra Enterprise 450 power supply has a memory latch function that allows the power supply to “remember” its last power on/off state in response to a power outage or removal of the AC power cord. This feature allows the power supply to resume operation automatically once power is restored. It also enables hot-swapping of power supplies.

Under some circumstances, this feature can be misdiagnosed as a power supply failure. If you remove a power supply from a system that is powered off and attempt a hot-plug installation into a system that is powered on, the power supply will remain in the Off state. This should not be interpreted as a power supply failure. To activate the power supply, simply turn the front panel keyswitch from the Power-On position to the Diagnostics position, and then back to the Power-On position. Alternatively, you may press the Power-On key on a Sun™ Type-5 keyboard attached to the system.

System Software Requirements

The Ultra Enterprise 450 server requires Solaris™ 2.5.1 Hardware: 11/97, Solaris 2.6 Hardware: 3/98, Solaris 7, or a subsequent compatible Solaris release. To verify that the proper version of the operating environment is installed on your Ultra Enterprise 450 server, examine the file `/etc/release`. The file should, for example, contain the text “Solaris 2.5.1 Hardware: 11/97” or it should identify a later compatible Solaris release.

Any patches required for your Solaris software release can be found at the SunSolve OnlineSM web site at the URL:

`http://sunsolve.Sun.COM/`

SPARCstorage MultiPack Units

A compatibility issue exists between the Ultra Enterprise 450 server's embedded or expansion PCI SCSI host bus adapters (HBAs) and some older Fast/Wide SCSI SPARCstorage™ MultiPack (SMP) units that may contain UltraSCSI (Fast-20) capable drives. The HBAs available on Ultra Enterprise 450 servers default to use UltraSCSI operation when UltraSCSI devices are present. However, some SPARCstorage MultiPack units (both 6- and 12-drive versions) do not support UltraSCSI operation. Attempting to use such a configuration can lead to reduced SCSI bus performance and potential system panic.

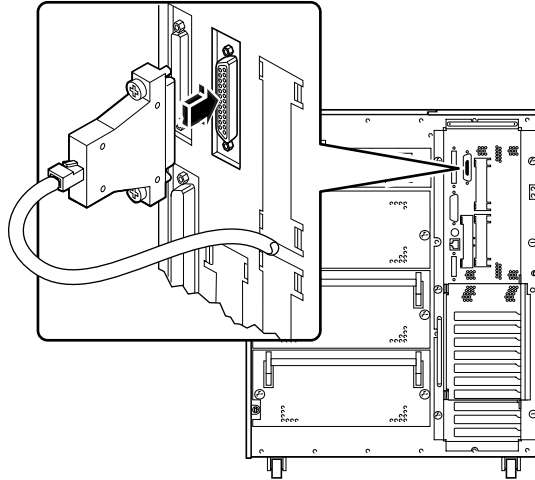
Workaround: Prior to using this configuration, disable the UltraSCSI mode for each controller instance to which a SMP is attached. Refer to the `pci(4)`, `glm(7D)`, and `isp(7D)` man pages for details.

Note – An alternative workaround method involving a global SCSI option change through `/etc/system` would result in loss of UltraSCSI mode on internal system disk backplanes.

This issue does not exist with six-drive SPARCstorage MultiPack 2 systems, which are UltraSCSI capable.

Attaching an Alphanumeric Terminal

The illustration in the *Ultra Enterprise 450 Server Owner's Guide* incorrectly identifies the location of the serial port connector on the server's back panel. The correct location is shown below.



Electromagnetic Compatibility

The Ultra Enterprise 450 server system meets the Class B requirements for electromagnetic interference (EMI) conforming to international standards except in the following case:

- The system uses a 400-MHz CPU module with a part number of 501-5239-04 or higher

If your system uses a 400-MHz CPU module with a part number of 501-5239-04 or higher, your system meets Class A requirements.

The Class B requirements are intended for home use, and are more stringent than Class A requirements. In the home, the Class B limits are designed to provide reasonable protection against radio frequency interference. Some of these standards are noted in the "Declaration of Conformity" in the "Regulatory Compliance Statements" at the beginning of the *Ultra Enterprise 450 Server Owner's Guide*.

Some of the Class A standards are noted in the “Declaration of Conformity” on page iii of these Product Notes.



Caution – Connecting headphones to the headphone jack of the Ultra Enterprise 450 CD-ROM drive can result in radio frequency emissions that exceed Class B limits.

Rackmounting the Ultra Enterprise 450 Server

An optional rackmounting kit is available for installing an Ultra Enterprise 450 server into a EIA standard 19-inch rack. For additional details, contact your Sun authorized sales representative.

Rackmount placement information for the Ultra Enterprise 450 server is available through the Web at:

<http://docs.sun.com>

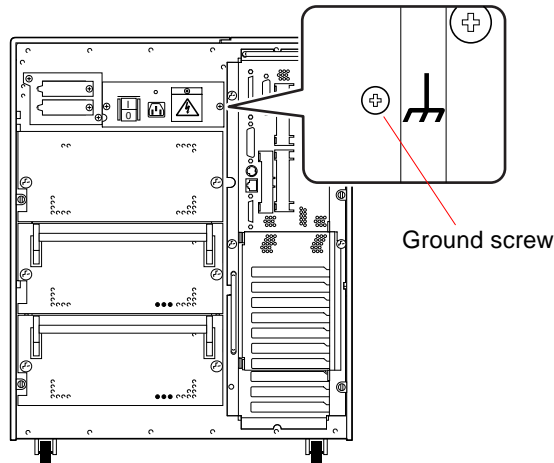
Click on “Storage & Peripherals” in the Hardware section and open the *Rackmount Placement Matrix*.

Note – Before installing the Ultra Enterprise 450 server in a Sun Enterprise Expansion Cabinet, be sure to remove the kick plate at the bottom rear of the cabinet. Removing the kick plate allows two Ultra Enterprise 450 servers to fit inside the cabinet. For additional details, see the documentation supplied with the Sun Enterprise Expansion Cabinet.

Connecting Rackmounted Peripherals

When connecting a deskside Ultra Enterprise 450 server to any rackmounted peripheral, be sure to connect an appropriate grounding strap between the server and the rack enclosure. This strap prevents ground loops between the two systems and guards against possible data loss.

A grounding strap is typically provided with the rack enclosure. Attach one end of the strap to the designated ground point on your rack enclosure, according to the instructions provided with the enclosure. Attach the other end to the ground screw on the Ultra Enterprise 450 server, as shown in the next figure. Be sure to tighten the ground screw completely to ensure a good connection.



Caution – The ground screw on the Ultra Enterprise 450 server is a critical component for providing protection against electrical hazard in the event of a system power fault. Failure to replace and completely tighten the ground screw could result in a hazardous condition.

Upper Blower Assembly

The upper blower assembly (part number 540-3023) is no longer a part of the Ultra Enterprise 450 server; however, the procedures contained in the *Ultra Enterprise 450 Server Owner's Guide* and *ShowMe How Multimedia* application assume that this part is present. For any procedure that involves removal of the main logic board, the instructions say to disconnect the upper blower cable from the main logic board before removing the board. Since your system does not include an upper blower assembly, you can safely ignore this step.

Power Interlock

The Ultra Enterprise 450 server features a power interlock safety mechanism. Removing either of the system side panels activates the system power interlock switches. This safety mechanism prevents DC voltages from reaching any internal component when either side panel is removed and the AC power switch is left on. Do not remove either side panel while the system is running. Doing so will cause the system to power off abruptly.

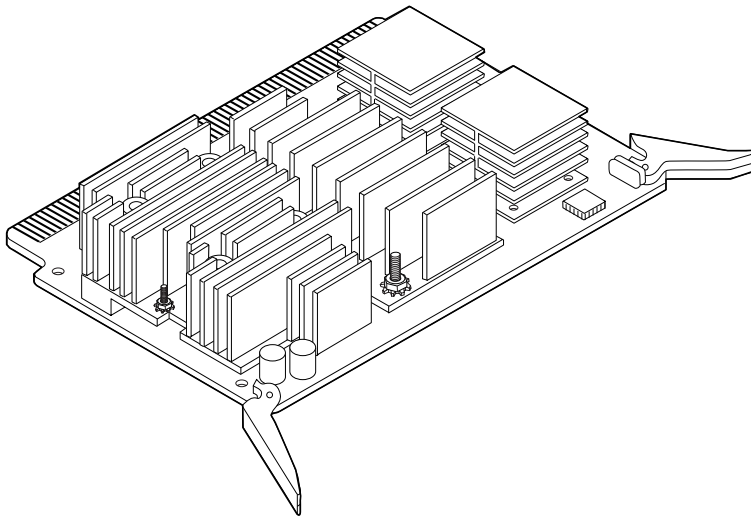
Ultra Enterprise 450 Server Produktionhinweise

In diesen Produktionshinweisen finden Sie neueste Informationen, die nicht in der System- bzw. der Multimedia-Dokumentation zu den Ultra Enterprise™ 450-Servern enthalten sind. Die folgenden Themen werden im vorliegenden Handbuch erläutert:

- „UltraSPARC II-CPU-Module“ auf Seite 2-2
- „Konfigurationsregeln für CPU-Module“ auf Seite 2-3
- „Einbauen von CPU-Modulen“ auf Seite 2-3
- „Jumper der Hauptsystemplatine“ auf Seite 2-4
- „Ausbauen von NVRAM-Modulen“ auf Seite 2-5
- „Ermitteln des Leistungsbedarfs“ auf Seite 2-5
- „Speicherspeicherfunktion des Netzteils“ auf Seite 2-6
- „Systemsoftwarevoraussetzungen“ auf Seite 2-6
- „SPARCstorage MultiPack-Einheiten“ auf Seite 2-7
- „Anschließen eines alphanumerischen Terminals“ auf Seite 2-8
- „Elektromagnetische Verträglichkeit“ auf Seite 2-8
- „Gestellmontage des Ultra Enterprise 450-Servers“ auf Seite 2-9
- „Anschließen von gestellmontierten Peripheriegeräten“ auf Seite 2-10
- „Obere Lüftereinheit“ auf Seite 2-11
- „Stromunterbrechung“ auf Seite 2-11

UltraSPARC II-CPU-Module

Der Ultra Enterprise 450-Server unterstützt bis zu vier UltraSPARC™ II-CPU-Module mit 250, 300 oder 400 MHz. Die folgende Abbildung zeigt das neue UltraSPARC II-CPU-Modul mit 400 MHz und 4 MB integriertem Cache (ohne Abdeckung).



Identifizieren von CPU-Modulen

Bevor Sie ein CPU-Modul einbauen, überprüfen Sie bitte, ob es sich bei dem Modul um eines der folgenden UltraSPARC II-Module für Ultra Enterprise 450-Server handelt. In der folgenden Tabelle sind die Taktfrequenzen der verschiedenen CPU-Module aufgeführt.

Taktfrequenz (MHz)	Teilenummer
250 MHz	501-4857 oder 501-4278
300 MHz	501-4849 oder 501-4196
400 MHz	501-5239 oder 501-5446

Konfigurationsregeln für CPU-Module

Bei Konfigurieren von UltraSPARC II-CPU-Modulen in einem Server beachten Sie bitte die im Abschnitt „Informationen über CPU-Module“ im *Ultra Enterprise 450-Server Benutzerhandbuch* genannten Regeln.



Achtung – Alle in einem System installierten CPUs müssen mit derselben Taktfrequenz arbeiten.

Hinweis – Wie Sie die Leistungsaufnahme des Systems unter Berücksichtigung neuer CPU-Module berechnen, ist unter „Ermitteln des Leistungsbedarfs“ auf Seite 2-5 in diesen Produkthinweisen sowie im Abschnitt „Ermitteln des Systemleistungsbedarfs“ im *Ultra Enterprise 450-Server Benutzerhandbuch* erläutert.

Einbauen von CPU-Modulen

Bevor Sie CPU-Module einbauen, lesen Sie bitte den Abschnitt „Informationen über CPU-Module“ im *Ultra Enterprise 450-Server Benutzerhandbuch*.



Achtung – Bevor Sie ein CPU-Modul einbauen, lesen Sie bitte den Abschnitt „Jumper der Hauptsystemplatine“ auf Seite 2-4, und überprüfen Sie, ob die Jumper-Einstellung der Taktfrequenz des zu installierenden CPU-Moduls entspricht. Wenn der Taktmodus-Jumper der Hauptsystemplatine nicht richtig eingestellt ist, kann es zu schwerwiegenden Schäden am System kommen.

Anweisungen zum Einbauen von CPU-Modulen beim Ultra Enterprise 450-Server finden Sie im Abschnitt „Einbauen von CPU-Modulen“ im *Ultra Enterprise 450-Server Benutzerhandbuch*.

Hinweis – Bevor Sie das vierte CPU-Modul im obersten CPU-Steckplatz (CPU-A1) installieren, entfernen Sie die in diesem Anschluß (J0101) installierte Blindplatine. Fassen Sie die Blindplatine am vorderen Griff, und nehmen Sie sie aus dem CPU-Steckplatz heraus.

Jumper der Hauptsystemplatine

Die folgenden Informationen ersetzen die im *Ultra Enterprise 450-Server Benutzerhandbuch* beschriebenen Informationen zu den Jumpern der Hauptsystemplatine:

- Abweichend von der Tabelle im Abschnitt „Informationen über Taktmodus-Jumper“ kann die Einstellung des Taktmodus-Jumpers (J2701) der Hauptsystemplatine des Ultra Enterprise 450-Servers (501-5270) jetzt geändert werden.

Stellen Sie die Brücke des Taktmodus-Jumpers an Adresse J2701 entsprechend der Taktfrequenz des UltraSPARC II-CPU-Moduls ein. Vergewissern Sie sich, daß der Jumper richtig eingestellt ist, bevor Sie das System starten.

Jumper	Pins 1 + 2 gebrückt	Pins 2 + 3 gebrückt	Brücke standard- mäßig ¹ auf Pins	Gesteuertes Signal
J2701	richtiger Taktmodus für UltraSPARC II-CPU-Module mit 250 und 300 MHz	richtiger Taktmodus für UltraSPARC II-CPU-Module mit 400 MHz	1 + 2	UPA_RATIO2

1. Werkseitige Einstellung für Hauptsystemplatinen, die ohne eingebaute CPU-Module geliefert werden.

- Die Tabelle mit den Einstellungen für die drei Flash-PROM-Jumper enthält falsche Angaben. In der folgenden Tabelle finden Sie die korrigierten Informationen.

Jumper	Pins 1 + 2 gebrückt	Pins 2 + 3 gebrückt	Brücke standard- mäßig auf Pins	Gesteuertes Signal
J3102	Flash-PROM	nicht verwendet	1 + 2	FLASH PROM SEL
J3103	Schreibschutz	Schreibfreigabe	2 + 3	FLASH PROM PROG ENABLE
J5501	High-Half-Booten	Normales Booten	2 + 3	XOR LOGIC SET

Ausbauen von NVRAM-Modulen



Achtung – Bevor Sie ein NVRAM-Modul auf der Hauptsystemplatine ein- oder ausbauen, müssen Sie die Platine vom Stromanschluß trennen. Andernfalls können die im NVRAM-Modul gespeicherten Informationen beschädigt und der Systembetrieb beeinträchtigt werden. Um die Hauptsystemplatine vom Stromanschluß zu trennen, lösen Sie die unverlierbaren Schrauben, mit denen die Platine an der Rückseite des System befestigt ist, und ziehen an den Griffen an der Rückseite der Platine, bis sie vollständig vom Stromanschluß getrennt ist.

Ermitteln des Leistungsbedarfs

Die Minimalkonfiguration des Ultra Enterprise 450-Servers umfaßt jetzt zwei Netzteile, deren Leistung für alle unterstützten Konfigurationen ausreicht.

Ist für eine bestimmte Systemkonfiguration eine redundante Stromversorgung erforderlich, müssen Sie möglicherweise ein drittes Netzteil einbauen.

Das Arbeitsblatt für Systemleistungsbedarf

Die folgenden Informationen ergänzen den Abschnitt „Arbeitsblatt für Systemleistungsbedarf“ im *Ultra Enterprise 450-Server Benutzerhandbuch*. Wenn Sie den Leistungsbedarf von Systemen berechnen, die mindestens ein CPU-Modul mit 400 MHz und das SunCD™ 32 CD-ROM-Laufwerk enthalten, benötigen Sie die folgenden Informationen.

Zeile Nr.	Option	Menge	+3,3 VDC Stromaufnahme	Gesamtstromaufnahme bei 3,3 V	+5 VDC Stromaufnahme	Gesamtstromaufnahme bei 5 V	+12 VDC Stromaufnahme	Gesamtstromaufnahme bei 12 V
CPU-Optionen								
	400-MHz-CPU mit 4 MB E-Cache und Gleichspannungswandler		5,0		5,6			
Interne Speichergeräteoptionen								
	SunCD 32 CD-ROM-Laufwerk				0,55		0,61	

Speicherspeicherfunktion des Netzteils

Das Netzteil des Ultra Enterprise 450 verfügt über eine Speicherspeicherfunktion. Bei einem Stromausfall oder wenn das Systemnetzwerk vom Netzstrom getrennt wird, bleibt die Information darüber, ob das Netzteil zu diesem Zeitpunkt ein- oder ausgeschaltet war, gespeichert. Dies ermöglicht es dem Netzteil, den Betrieb nach Wiederherstellung der Stromversorgung automatisch wieder aufzunehmen. Außerdem ermöglicht diese Funktion den Austausch von Netzteilen im laufenden Systembetrieb (Hot-Swap-Verfahren).

Unter bestimmten Umständen wird aufgrund dieser Funktion fälschlicherweise ein Netzteilfehler diagnostiziert. Wenn Sie ein Netzteil aus einem abgeschalteten System ausbauen und dann versuchen, dieses Netzteil an ein laufendes System anzuschließen (Hot-Plug-Verfahren), bleibt das Netzteil ausgeschaltet. Dies ist jedoch kein Netzteilfehler. Um das Netzteil zu aktivieren, drehen Sie einfach den Schlüsselschalter an der Vorderseite des Systems aus der Position Ein in die Position Diagnose und wieder zurück in die Position Ein. Statt dessen können Sie auch auf einer an das System angeschlossenen Sun™-Tastatur des Typs 5 die Netzttaste drücken.

Systemsoftwarevoraussetzungen

Für den Ultra Enterprise 450-Server ist Solaris™ 2.5.1 Hardware: 11/97, Solaris 2.6 Hardware: 3/98, Solaris 7 oder eine spätere kompatible Solaris-Version erforderlich. Ob die richtige Version der Betriebssystemumgebung auf einem Ultra Enterprise 450-Server installiert ist, können Sie anhand der Datei `/etc/release` überprüfen. Diese Datei sollte zum Beispiel die Angabe „Solaris 2.5.1 Hardware: 11/97“ oder eine spätere kompatible Solaris-Version enthalten.

Alle für die Solaris-Softwareversion möglicherweise erforderlichen Patches finden Sie auf der Web-Site SunSolve OnlineSM unter:

<http://sunsolve.Sun.COM/>

SPARCstorage MultiPack-Einheiten

Zwischen den integrierten bzw. Erweiterungs-PCI-SCSI-Controllern des Ultra Enterprise 450-Servers und einigen älteren Fast/Wide-SCSI-SPARCstorage™ MultiPack-Einheiten (SMPs), die UltraSCSI-fähige Laufwerke (Fast-20) enthalten können, gibt es ein Kompatibilitätsproblem. Die in Ultra Enterprise 450-Servern verwendeten Controller arbeiten standardmäßig im UltraSCSI-Betrieb, wenn UltraSCSI-Geräte vorhanden sind. Manche SPARCstorage MultiPack-Einheiten (mit 6 und 12 Laufwerken) unterstützen den UltraSCSI-Betrieb jedoch nicht. Bei einer solchen Konfiguration kann sich die Leistung des SCSI-Bus verringern, und das System gerät möglicherweise in einen Panikzustand.

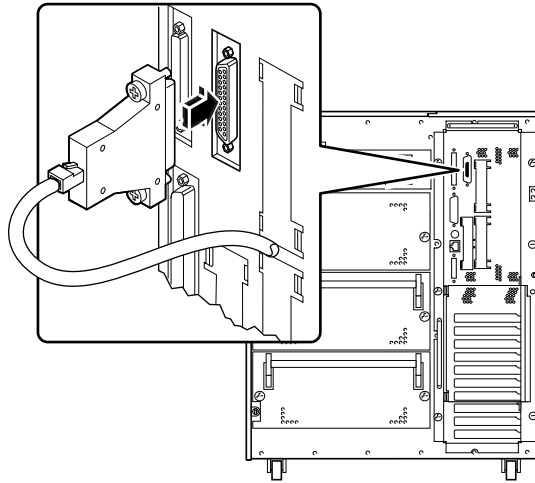
Lösung: Bevor Sie mit einer solchen Konfiguration arbeiten, deaktivieren Sie den UltraSCSI-Modus für jeden Controller, an den ein SMP angeschlossen ist. Weitere Einzelheiten finden Sie auf den Man Pages `pci(4)`, `glm(7D)` und `isp(7D)`.

Hinweis – Eine denkbare alternative Lösung, bei der die SCSI-Option in `/etc/system` global geändert wird, würde dazu führen, daß der UltraSCSI-Modus für die internen Festplatten-Backplanes deaktiviert wird.

Dieses Problem tritt bei SPARCstorage MultiPack 2-Systemen mit 6 Laufwerken nicht auf, da diese UltraSCSI-fähig sind.

Anschließen eines alphanumerischen Terminals

Die Abbildung im *Ultra Enterprise 450-Server Benutzerhandbuch* zeigt den seriellen Anschluß an der Rückseite des Servers an der falschen Stelle. Die richtige Position ist unten abgebildet.



Elektromagnetische Verträglichkeit

Der Ultra Enterprise 450-Server erfüllt die Richtlinien der Klasse B hinsichtlich der elektromagnetischen Beeinflussung (EMB) gemäß internationalen Standards unter Ausnahme des folgenden Falls:

- Das System arbeitet mit einem 400-MHz CPU-Modul mit der Teilenummer 501-5239-04 oder höher.

Wenn Ihr System ein 400-MHz CPU-Modul mit der Teilenummer 501-5239-04 oder höher verwendet, erfüllt es die Richtlinien der Klasse A.

Die Richtlinien der Klasse B gelten für den Einsatz in Wohnbereichen und sind daher strenger als die Richtlinien der Klasse A. Die Richtlinien der Klasse A sollen für einen guten Schutz vor Störungen der Funkfrequenzen in Wohnungen sorgen.

Einige dieser Standards sind in der „Konformitätserklärung“ am Anfang des *Ultra Enterprise 450-Server Benutzerhandbuchs* aufgeführt. Einige der Standards für Klasse A finden Sie in der „Konformitätserklärung“ auf Seite iii dieser Produkthinweise.



Achtung – Werden Kopfhörer an die Kopfhörerbuchse des CD-ROM-Laufwerks am Ultra Enterprise 450 angeschlossen, übersteigt die elektromagnetische Störstrahlung des Systems möglicherweise die Grenzwerte der Klasse B.

Gestellmontage des Ultra Enterprise 450-Servers

Für die Installation des Ultra Enterprise 450-Servers in einem 19-Zoll-EIA-Standardgestell ist ein Gestellmontage-Kit gesondert erhältlich. Weitere Informationen erhalten Sie bei einem autorisierten Vertriebsbeauftragten.

Nähere Einzelheiten zur Gestellmontage des Ultra Enterprise 450-Servers finden Sie im Internet unter der folgenden Adresse:

<http://docs.sun.com>

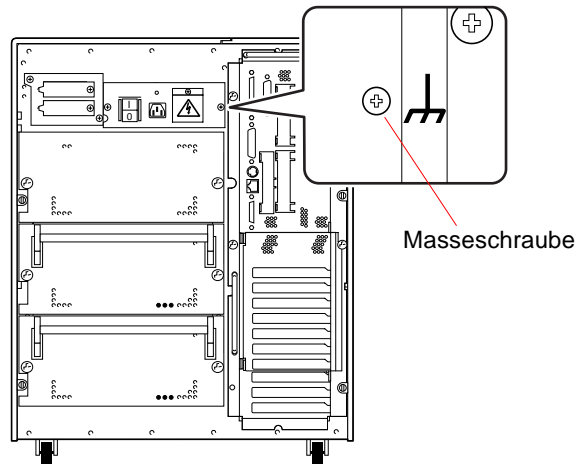
Klicken Sie im Bereich „Hardware“ auf „Speicher- und Peripheriegeräte“ und rufen Sie die *Rackmount Placement Matrix* auf.

Hinweis – Bevor Sie den Ultra Enterprise 450-Server in einem Sun Enterprise-Erweiterungsgehäuse installieren, müssen Sie die Trittschutzplatte an der unteren Rückseite des Gehäuses entfernen. Wenn die Trittschutzplatte entfernt wird, können zwei Ultra Enterprise 450-Server in das Gehäuse eingebaut werden. Nähere Einzelheiten entnehmen Sie bitte der Dokumentation zum Sun Enterprise-Erweiterungsgehäuse.

Anschließen von gestellmontierten Peripheriegeräten

Wenn Sie einen Ultra Enterprise 450-Deskside-Server an ein gestellmontiertes Peripheriegerät anschließen, müssen Sie ein geeignetes Massekabel zwischen dem Server und dem Gestell anschließen. Das Massekabel verhindert Massekreise zwischen den beiden Systemen und schützt so vor möglichem Datenverlust.

Normalerweise wird das Gestell mit einem Massekabel geliefert. Schließen Sie ein Ende des Kabels, wie in den mit dem Gestell gelieferten Anweisungen erläutert, an den Massepunkt des Gestells an. Schließen Sie das andere Ende wie in der nächsten Abbildung gezeigt an die Masseschraube des Ultra Enterprise 450-Servers an. Ziehen Sie die Masseschraube vollständig an, um einen sicheren Anschluß herzustellen.



Achtung – Die Masseschraube des Ultra Enterprise 450-Servers ist ein wichtiger Bestandteil zum Schutz vor Stromschlag bei Berührung im Falle eines Fehlers in der Stromversorgung des Systems. Wird die Masseschraube nicht angebracht und angezogen, besteht möglicherweise Verletzungsgefahr durch Stromschlag.

Obere Lüftereinheit

Die obere Lüftereinheit (Teilenummer 540-3023) ist nicht länger Bestandteil des Ultra Enterprise 450-Servers. Die im *Ultra Enterprise 450-Server Benutzerhandbuch* und der *ShowMe How Multimedia*-Anwendung erläuterten Arbeitsschritte gehen jedoch davon aus, daß diese Baugruppe vorhanden ist. Alle Arbeitsschritte, bei denen die Hauptsystemplatine ausgebaut wird, enthalten die Anweisung, vor dem Ausbauen der Hauptsystemplatine das Kabel der oberen Lüftereinheit von der Platine zu lösen. Da das System keine obere Lüftereinheit mehr enthält, können Sie diesen Schritt ignorieren.

Stromunterbrechung

Der Ultra Enterprise 450-Server verfügt aus Sicherheitsgründen über einen Stromunterbrechungsmechanismus. Durch das Abnehmen einer der Seitenabdeckungen werden die Stromunterbrechungsschaltungen aktiviert. Dieser Sicherheitsmechanismus bewirkt, daß die Gleichstromversorgung der internen Komponenten unterbrochen wird, wenn eine der Seitenabdeckungen abgenommen wird, solange der Netzschalter in der Position Ein steht. Nehmen Sie die Seitenabdeckung also nicht ab, solange das System eingeschaltet ist. Andernfalls schaltet sich das System sofort aus.

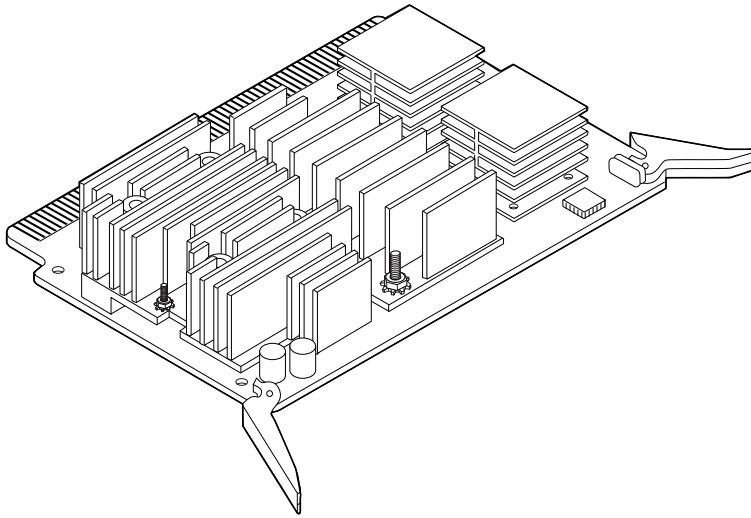
Servidor Ultra Enterprise 450: notas sobre el producto

Este documento contiene información de última hora que no ha sido incluida en la documentación que acompaña a los servidores Ultra Enterprise™ 450. Consta de los temas siguientes:

- “Acerca de los módulos de CPU UltraSPARC II” en la página 3-2
- “Normas de configuración de los módulos de CPU” en la página 3-3
- “Instalación de módulos de CPU” en la página 3-3
- “Puentes de la placa lógica principal” en la página 3-4
- “Extracción del módulo de NVRAM” en la página 3-5
- “Determinación de la potencia necesaria” en la página 3-5
- “Función de bloqueo puntual de la fuente de alimentación” en la página 3-6
- “Requisitos de software del sistema” en la página 3-6
- “Unidades SPARCstorage MultiPack” en la página 3-7
- “Conexión de un terminal alfanumérico” en la página 3-8
- “Compatibilidad electromagnética” en la página 3-8
- “Montaje en rack del servidor Ultra Enterprise 450” en la página 3-9
- “Conexión de periféricos montados en rack” en la página 3-10
- “Conjunto del ventilador superior” en la página 3-11
- “Conmutadores de bloqueo de la alimentación” en la página 3-11

Acerca de los módulos de CPU UltraSPARC II

El servidor Ultra Enterprise 450 admite hasta cuatro módulos de CPU UltraSPARC™ II de 250, 300 o 400 MHz. En la figura siguiente puede verse el nuevo módulo de 400 MHz abierto, con 4 Mbytes de memoria caché integrada.



Identificación del módulo de CPU

Antes de instalar el módulo de CPU, compruebe si coincide con alguno de los módulos UltraSPARC II para servidores Ultra Enterprise 450 incluidos en la tabla siguiente. En ella figuran las posibles frecuencias de los distintos módulos.

Frecuencia del módulo (MHz)	Número de referencia
250 MHz	501-4857 o 501-4278
300 MHz	501-4849 o 501-4196
400 MHz	501-5239 o 501-5446

Normas de configuración de los módulos de CPU

Es preciso configurar los módulos UltraSPARC II del servidor de acuerdo con las normas especificadas en la sección “Acerca de los módulos de CPU” del manual *Ultra Enterprise 450 Server: Guía del propietario*.



Precaución – Todas las CPU instaladas en un sistema deben funcionar a la misma frecuencia de reloj.

Nota – Para recalculer el consumo de energía del sistema teniendo en cuenta los nuevos módulos de CPU, consulte “Determinación de la potencia necesaria” en la página 3-5 de este documento y, a continuación, consulte la sección “Cómo determinar las necesidades de potencia del sistema” del manual *Ultra Enterprise 450 Server: Guía del propietario*.

Instalación de módulos de CPU

Antes de instalar un módulo de CPU, consulte la sección “Acerca de los módulos de CPU” del manual *Ultra Enterprise 450 Server: Guía del propietario*.



Precaución – Antes de instalar un módulo de CPU, lea la sección “Puentes de la placa lógica principal” en la página 3-4 y compruebe si la configuración de los puentes es adecuada para la frecuencia del módulo que va a instalar. Una disposición incorrecta del puente que define la modalidad de reloj de la placa lógica principal puede ocasionar serios daños en el sistema.

Siga las instrucciones contenidas en la sección “Cómo instalar un módulo de CPU” del manual *Ultra Enterprise 450 Server: Guía del propietario* cuando vaya a instalar algún módulo de CPU en el servidor Ultra Enterprise 450.

Nota – Antes de instalar el cuarto módulo en la ranura superior de la CPU (CPU-A1), retire la placa de protección del conector (J0101). Sujete la placa por su parte frontal y deslícela hasta extraerla de la ranura.

Puentes de la placa lógica principal

La información siguiente sustituye a la contenida en el manual *Ultra Enterprise 450 Server: Guía del propietario* con respecto a los puentes de la placa lógica principal:

- Al contrario de lo que se indica en la tabla de la sección “Acerca del puente de selección de la modalidad de reloj”, este puente (J2701) ahora se utiliza en la placa lógica principal del Ultra Enterprise 450 (501-5270).

Configure el contacto del puente de modalidad de reloj en la dirección J2701 para adecuarlo a la frecuencia del módulo de CPU UltraSPARC II. Compruebe si la configuración de los puentes es correcta antes de iniciar el sistema.

Puente	Contacto en patillas 1 + 2 selecciona	Contacto en las patillas 2 + 3 selecciona	Contacto ¹ predeterminado en patillas	Controlado por señal
J2701	Modalidad de reloj correcta para módulos de CPU UltraSPARC II de 250 y 300 MHz	Modalidad de reloj correcta para módulos de CPU UltraSPARC II de 400 MHz	1 + 2	UPA_RATIO2

1. Configuración de fábrica para placas lógicas principales distribuidas sin módulos de CPU instalados.

- La tabla en la que se describe la configuración de puentes de la PROM flash no es correcta. Los valores correctos son los siguientes.

Puente	Contacto en patillas 1 + 2 selecciona	Contacto en patillas 2 + 3 selecciona	Contacto predeterminado en patillas	Controlado por señal
J3102	PROM flash	No utilizable	1 + 2	FLASH PROM SEL
J3103	Protección contra escritura	Escritura habilitada	2 + 3	FLASH PROM PROG ENABLE
J5501	Arranque en la mitad alta	Arranque normal	2 + 3	XOR LOGIC SET

Extracción del módulo de NVRAM



Precaución – Antes de desinstalar o instalar un módulo de NVRAM en la placa lógica principal, no olvide desconectar el conector de alimentación de la placa. De no hacerlo así, podría afectar a la información almacenada en el módulo de NVRAM y perjudicar el funcionamiento del sistema. Para desconectar la placa del conector, afloje los tornillos cautivos que sujetan la placa en el panel posterior del sistema y tire de las palancas situadas en la parte trasera de la placa hasta que ésta se separe del conector.

Determinación de la potencia necesaria

La configuración mínima del servidor Ultra Enterprise 450 incluye ahora dos fuentes de alimentación que proporcionan suficiente potencia para todas las configuraciones admitidas.

Si la configuración del sistema precisa alimentación redundante, puede ser necesario añadir una tercera fuente de alimentación.

Cálculo de la potencia necesaria para el sistema

La información siguiente sirve de complemento a la que encontrará en la sección “Hoja de requisitos de potencia del sistema” del manual *Ultra Enterprise 450 Server: Guía del propietario*. Si calcula las necesidades de potencia para sistemas que van a incluir uno o más módulos de 400 MHz y la unidad de CD-ROM SunCD™ 32, necesitará la información contenida en esta tabla.

Nº de línea	Opción	Ctd	Amp a +3,3 VCC	Total amp a 3,3 V	Amp a +5 VCC	Total amp a 5 V	Amp a +12 VDC	Total amp a 12 V
Opciones de CPU								
	CPU a 400 MHz con 4 MB de caché ext. y convertor CC/CC		5,0		5,6			
Opciones de dispositivo de almacenamiento interno								
	Unidad de CD-ROM SunCD 32				0,55		0,61	

Función de bloqueo puntual de la fuente de alimentación

La fuente de alimentación del Ultra Enterprise 450 incluye una función de bloqueo puntual que le permite “recordar” su última operación de encendido/apagado como respuesta a una interrupción del suministro de energía o a la desconexión del cable de alimentación de CA. Gracias a esta función, las fuentes de alimentación pueden reanudar el funcionamiento de forma automática cuando se restablece el suministro y es posible sustituirlas sin necesidad de apagar el sistema.

Bajo determinadas circunstancias, esta función puede considerarse como un fallo de la fuente de alimentación. Si se extrae una fuente de alimentación de un sistema apagado y se intenta su instalación en marcha cuando el sistema está encendido, la fuente de alimentación permanece en estado inactivo (Off). Esto no debe interpretarse como un fallo de la fuente de alimentación. Para reactivarla, basta cambiar el selector del panel frontal de la posición Power-On (marcha) a la posición Diagnostics (diagnóstico) y volver a situarlo a continuación en Power-On. Como alternativa, se puede presionar la tecla Power-On del teclado Sun™ Tipo 5 conectado al sistema.

Requisitos de software del sistema

El servidor Ultra Enterprise 450 necesita tener instalado Solaris™ 2.5.1 Hardware: 11/97, Solaris 2.6 Hardware: 3/98, Solaris 7 o una versión posterior de Solaris que sea compatible. Para comprobar si se encuentra instalada la versión adecuada del entorno operativo, examine el archivo `/etc/release`, que debe contener, por ejemplo, el texto “Solaris 2.5.1 Hardware: 11/97” o especificar una versión posterior compatible de Solaris.

Cualquier modificación de software necesaria para la versión de Solaris en uso puede encontrarse en las páginas Web de SunSolve OnlineSM, en la dirección:

<http://sunsolve.sun.com/>

Unidades SPARCstorage MultiPack

Existe un problema de compatibilidad entre los adaptadores de sistema SCSI con bus PCI (incorporados o de expansión) del servidor Ultra Enterprise 450 y algunas unidades antiguas SPARCstorage™ MultiPack (SMP) Fast/Wide SCSI que pueden contener unidades UltraSCSI (Fast-20). Los adaptadores de sistema disponibles en los servidores Ultra Enterprise 450 adoptan el modo de funcionamiento UltraSCSI cuando hay dispositivos UltraSCSI presentes, pero algunas unidades SPARCstorage MultiPack (las versiones de 6 y 12 unidades) no admiten el funcionamiento UltraSCSI. El intento de utilizar esta configuración puede provocar una disminución del rendimiento del bus SCSI y un posible fallo grave del sistema.

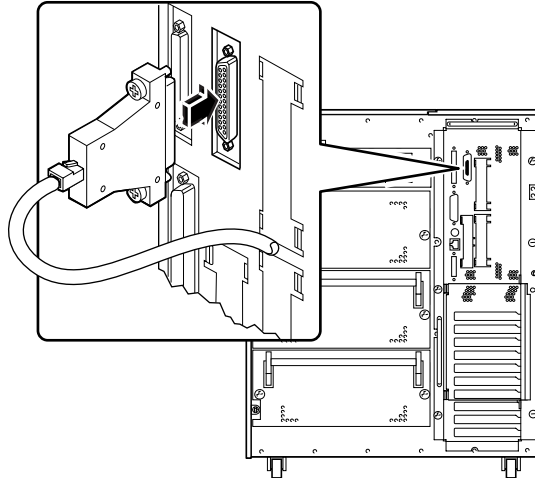
Solución: Antes de utilizar esta configuración, desactive el modo UltraSCSI para cada entrada del controlador conectada a la unidad SMP. Consulte las páginas del comando man correspondientes a `pci(4)`, `glm(7D)` e `isp(7D)` para obtener más información.

Nota – El uso de otra solución alternativa que implique un cambio global de la opción SCSI a través de `/etc/system` podría acarrear la pérdida del modo UltraSCSI en las placas posteriores de discos del sistema.

Este problema no existe con los sistemas SPARCstorage MultiPack 2 de 6 unidades, que sí admiten el modo UltraSCSI.

Conexión de un terminal alfanumérico

La figura del manual *Ultra Enterprise 450 Server: Guía del propietario* indica una ubicación incorrecta del conector del puerto serie en el panel posterior del servidor. La ubicación correcta se muestra a continuación.



Compatibilidad electromagnética

El servidor Ultra Enterprise 450 cumple las especificaciones de Clase B relativas a las interferencias electromagnéticas (EMI) de acuerdo con las normas internacionales, excepto en los casos siguientes:

- El sistema utiliza un módulo de CPU a 400 MHz con el número de referencia 501-5239-04 o un número superior.

Si el sistema utiliza un módulo de CPU a 400 MHz, con el número de referencia 501-5239-04 o superior, significa que cumple las especificaciones de Clase A.

Las especificaciones de Clase B están destinadas al uso doméstico y son más restrictivas que las de la Clase A. En el entorno doméstico, las limitaciones de la Clase B están diseñadas para proporcionar una protección razonable frente a interferencias de radio. Algunas de estas normas están indicadas en la "Declaración de conformidad" incluida al comienzo del manual *Ultra Enterprise 450 Server: Guía del propietario*.

Algunas de las normas de la Clase A se citan en la “Declaración de conformidad” incluida en la página iii de estas Notas sobre el producto.



Precaución – La conexión de auriculares al conector correspondiente de la unidad de CD-ROM del Ultra Enterprise 450 puede generar emisiones de radiofrecuencia que superan las admitidas por las especificaciones de la Clase B.

Montaje en rack del servidor Ultra Enterprise 450

Existe un kit de montaje en rack opcional para la instalación del Ultra Enterprise 450 en un rack EIA estándar de 19 pulgadas. Para obtener más información al respecto, póngase en contacto con un representante autorizado de Sun.

La información relativa a la colocación en rack del Ultra Enterprise 450 puede encontrarse en la siguiente dirección de Web:

<http://docs.sun.com>

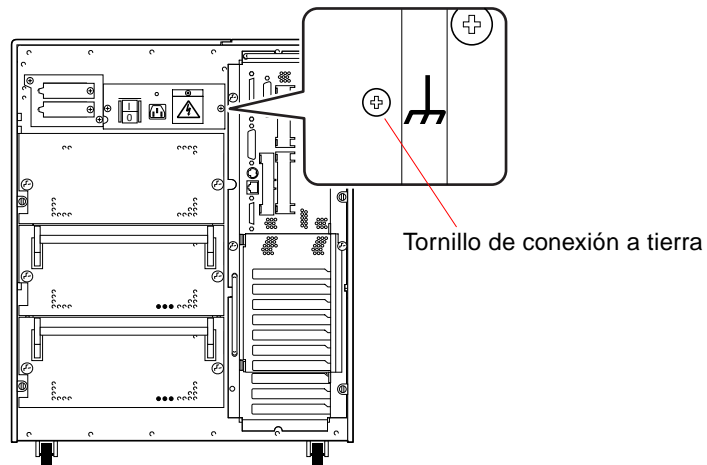
Haga clic en “Almacenamiento y periféricos” dentro de la sección de Hardware y abra *Rackmount Placement Matrix*.

Nota – Antes de instalar el Ultra Enterprise 450 en un Enterprise Expansion Cabinet de Sun, no olvide retirar la placa protectora inferior de la parte trasera del armario, para dar cabida a dos servidores Ultra Enterprise 450. Consulte la documentación que acompaña al Sun Enterprise Expansion Cabinet para obtener más información.

Conexión de periféricos montados en rack

Al conectar un servidor de escritorio Ultra Enterprise 450 a cualquier periférico montado en rack, asegúrese de conectar una tira para conexión a tierra adecuada entre el servidor y la cobertura del rack. Esta cinta impide bucles de conexión a tierra entre los dos sistemas y protege frente a posibles pérdidas de datos.

Normalmente se suministra una tira para conexión a tierra con la cobertura del rack. Conecte un extremo de la cinta al punto de conexión a tierra designado en la cobertura y el otro extremo al tornillo de conexión a tierra del servidor Ultra Enterprise 450, como se muestra en la figura siguiente. No olvide apretar con firmeza el tornillo para que la conexión sea correcta.



Precaución – El tornillo de conexión a tierra del Ultra Enterprise 450 es un componente esencial para la protección frente a daños producidos por fallos del suministro de energía. Una instalación incorrecta del mismo puede crear una situación de riesgo para el sistema.

Conjunto del ventilador superior

El conjunto del ventilador superior (número de referencia 540-3023) ya no forma parte del servidor Ultra Enterprise 450, pero los procedimientos descritos en el manual *Ultra Enterprise 450 Server: Guía del propietario* y la aplicación *ShowMe How Multimedia* dan por supuesto que existe este componente. Para llevar a cabo cualquier procedimiento que implique la desinstalación de la placa lógica principal, las instrucciones indican que debe desconectarse el cable del ventilador superior antes de extraer la placa. Dado que el sistema no incluye dicho ventilador, no es necesario tener en cuenta este paso.

Conmutadores de bloqueo de la alimentación

El servidor Ultra Enterprise 450 incluye un mecanismo de seguridad de interbloqueo de la alimentación. Si se retira alguno de los paneles laterales del sistema, se activan los interruptores de bloqueo de la corriente, que impiden que la corriente CC pueda alcanzar a algún componente interno cuando falta alguno de los paneles y el interruptor de CA está encendido. No retire los paneles laterales mientras el sistema está en funcionamiento, ya que el sistema se apagaría bruscamente.

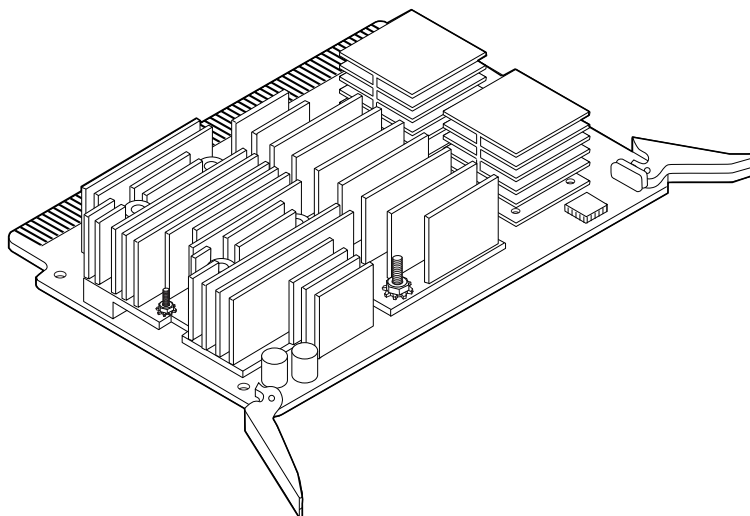
Remarques sur le serveur Ultra Enterprise 450

Ces remarques sur le produit contiennent des informations de dernière minute qui ne sont pas fournies avec le système ni dans la documentation multimédia relative aux serveurs Ultra Enterprise™ 450. Elles examinent les points suivants :

- “A propos des modules processeur UltraSPARC II”, page 4-2
- “Règles de configuration des modules processeur”, page 4-3
- “Installation d’un module processeur”, page 4-3
- “Cavaliers de la carte logique principale”, page 4-4
- “Retrait du module de mémoire NVRAM”, page 4-5
- “Calcul des besoins électriques de votre système”, page 4-5
- “Fonction de verrouillage de mémoire des blocs d’alimentation”, page 4-6
- “Configuration logicielle requise”, page 4-6
- “Unités SPARCstorage Multipack”, page 4-7
- “Connexion d’un terminal alphanumérique”, page 4-8
- “Compatibilité électromagnétique”, page 4-8
- “Montage en armoire du serveur Ultra Enterprise 450”, page 4-9
- “Connexion de périphériques montés en armoire”, page 4-10
- “Assemblage de ventilation supérieur”, page 4-11
- “Verrouillage électrique”, page 4-11

A propos des modules processeur UltraSPARC II

Le serveur Ultra Enterprise 450 prend en charge jusqu'à quatre modules processeur UltraSPARC™ II 250, 300 ou 400 MHz. La figure suivante représente le nouveau module processeur UltraSPARC II 400 MHz non-blindé qui possède 4 Mo de mémoire cache intégrée.



Identification des modules processeur

Avant d'installer un module processeur, vérifiez qu'il figure bien parmi les modules UltraSPARC II suivants (pour les serveurs Ultra Enterprise 450). Le tableau ci-après indique les vitesses des modules processeur.

Vitesse du module (MHz)	N° de référence
250 MHz	501-4857 ou 501-4278
300 MHz	501-4849 ou 501-4196
400 MHz	501-5239 ou 501-5446

Règles de configuration des modules processeur

Configurez les modules processeur UltraSPARC II de votre serveur en suivant les règles de la section “A propos des modules processeur” du *Guide du propriétaire Ultra Enterprise 450 Server*.



Attention – Tous les processeurs installés dans un même système doivent fonctionner à des vitesses d’horloge identiques.

Remarque – Pour recalculer la consommation de votre système afin de tenir compte des nouveaux modules processeur, reportez-vous à “Calcul des besoins électriques de votre système”, page 4-5 de ces remarques sur le produit, puis consultez la section “Calcul des besoins électriques de votre système” du *Guide du propriétaire Ultra Enterprise 450 Server*.

Installation d’un module processeur

Avant de retirer ou d’installer des modules processeur, lisez la section “A propos des modules processeur” du *Guide du propriétaire Ultra Enterprise 450 Server*.



Attention – Avant d’installer un module processeur quel qu’il soit, lisez la section “Cavaliers de la carte logique principale”, page 4-4, et vérifiez que le cavalier soit bien paramétré pour la vitesse du module processeur que vous installez. Un mauvais paramétrage du cavalier du mode d’horloge de la carte logique principale peut endommager sérieusement le système.

Pour installer des modules processeur dans un serveur Ultra Enterprise 450, suivez les instructions de la section “Comment installer un module processeur” du *Guide du propriétaire Ultra Enterprise 450 Server*.

Remarque – Avant d’installer le quatrième module processeur dans l’emplacement processeur supérieur (CPU-A1), retirez la plaque de protection, s’il y en a une, du connecteur (J0101). Prenez cette plaque par sa poignée avant et faites-la glisser hors de l’emplacement processeur.

Cavaliers de la carte logique principale

Ces informations remplacent celles de la section “A propos du cavalier de sélection du mode d’horloge” du *Guide du propriétaire Ultra Enterprise 450 Server*.

- Contrairement au tableau de la section “A propos du cavalier de sélection du mode d’horloge”, le cavalier de sélection du mode d’horloge (J2701) est maintenant utilisé sur la carte logique principale (501-5270) du serveur Ultra Enterprise 450.

Paramétrez le cavalier du mode d’horloge à l’adresse J2701 de façon à correspondre à la vitesse de votre module processeur UltraSPARC II. Vérifiez que le cavalier est bien paramétré avant de démarrer le système.

Cavalier	Sélection des broches 1 + 2	Sélection des broches 2 + 3	Position par défaut des broches ¹	Contrôle par signal
J2701	Mode d’horloge correct pour les modules processeur UltraSPARC II 250 et 300 MHz	Mode d’horloge correct pour les modules processeur UltraSPARC II 400 MHz	1 + 2	UPA_RATIO2

1. Paramétrage effectué en usine pour les cartes logiques principales envoyées sans module processeur installé.

- Le tableau qui décrit le paramétrage des trois cavaliers Flash PROM est erroné, servez-vous de celui ci-après.

Cavalier	Sélection des broches 1 + 2	Sélection des broches 2 + 3	Position par défaut des broches	Contrôle par signal
J3102	Flash PROM	Ne pas utiliser	1 + 2	FLASH PROM SEL
J3103	Protection contre l’écriture	Accès en écriture	2 + 3	FLASH PROM PROG ENABLE
J5501	Démarrage demi-hauteur	Démarrage normal	2 + 3	XOR LOGIC SET

Retrait du module de mémoire NVRAM



Attention – Avant de retirer ou d’installer un module NVRAM sur la carte logique principale, veillez à déconnecter cette carte de son connecteur électrique. Le non-respect de cette instruction peut causer la détérioration des informations stockées dans le module NVRAM et avoir des effets négatifs sur le fonctionnement du système. Pour déconnecter la carte logique principale de son connecteur électrique, desserrez les vis imperdables qui fixent la carte au panneau arrière du système et tirez sur les prises à l’arrière de la carte jusqu’à ce que celle-ci soit complètement sortie du connecteur.

Calcul des besoins électriques de votre système

La configuration minimum du serveur Ultra Enterprise 450 comporte désormais deux blocs d’alimentation qui fournissent suffisamment d’électricité pour toutes les configurations prises en charge.

Si la configuration de votre système nécessite une alimentation redondante, vous devrez certainement ajouter un troisième bloc d’alimentation.

A propos du tableau des besoins électriques du système

Les informations qui suivent complètent celles de la section “Calcul des besoins électriques de votre système” du *Guide du propriétaire Ultra Enterprise 450 Server*. Si le système dont vous vous apprêtez à calculer les besoins en électricité comporte un ou plusieurs modules processeur 400 MHz et le lecteur de CD-ROM SunCD™ 32, vous aurez besoin des informations suivantes pour vos calculs.

N° ligne	Option	Qté	+3,3 (en CC) Ampérage	Ampérage total à 3,3 V	+5 V (en CC) Ampérage	Ampérage total à 5 V	+12 (en CC) Ampérage	Ampérage total à 12 V
Options de processeur								
	Processeur de 400 MHz avec 4 Mo de mémoire cache E et un convertisseur continu/continu		5,0		5,6			
Options de périphérique de stockage interne								
	Lecteur de disque SunCD 32				0,55		0,61	

Fonction de verrouillage de mémoire des blocs d'alimentation

Les blocs d'alimentation de l'Ultra Enterprise 450 possèdent une fonction de verrouillage de mémoire qui leur permet de se "rappeler" de l'état (on/off) dans lequel ils se trouvaient lors d'une coupure de courant ou du retrait du cordon d'alimentation CA de la prise. Cette caractéristique permet à un bloc de reprendre automatiquement son fonctionnement au retour du courant. Elle permet également l'échange à chaud des blocs d'alimentation.

Dans certaines circonstances, il peut arriver que cette fonctionnalité soit assimilée par méprise à une coupure de courant. En effet, si vous retirez un bloc d'alimentation d'un système hors tension et l'installez à chaud dans un système sous tension, il restera à l'état Off (hors tension), mais ceci ne doit en aucun cas être interprété comme une coupure de courant. Pour mettre sous tension le bloc d'alimentation, il suffit de tourner l'interrupteur à clé qui se trouve sur le panneau avant de la position Power-On à la position Diagnostics et de nouveau sur la position Power-On. Vous pouvez aussi appuyer sur la touche Power-On sur un clavier Sun™ Type-5 rattaché au système.

Configuration logicielle requise

Le serveur Ultra Enterprise 450 nécessite Solaris™ 2.5.1 Hardware: 11/97, Solaris 2.6 Hardware: 3/98, Solaris 7 ou une version ultérieure compatible de Solaris. Pour vérifier qu'une version adéquate de l'environnement d'exploitation est installée sur votre serveur Ultra Enterprise 450, examinez le fichier `/etc/release`. Ce fichier devrait, par exemple, contenir le texte "Solaris 2.5.1 Hardware: 11/97" ou indiquer une version ultérieure compatible de Solaris.

Le cas échéant, vous pouvez vous procurer les patchs nécessaires pour votre version de Solaris sur le site Web SunSolve OnlineSM à l'adresse suivante :

<http://sunsolve.sun.com/>

Unités SPARCstorage Multipack

Il existe un problème de compatibilité entre les cartes de contrôleur SCSI PCI intégrées ou ajoutées au serveur Ultra Enterprise 450 et certaines unités Fast/Wide SCSI SPARCstorage™ MultiPack (SMP) anciennes qui peuvent comprendre des lecteurs de type UltraSCSI (Fast-20). Les cartes de contrôleur des serveurs Ultra Enterprise 450 passent par défaut au fonctionnement UltraSCSI en présence de périphériques UltraSCSI, mais certaines unités SPARCstorage MultiPack (versions 6 et 12 lecteurs) ne prennent pas en charge le fonctionnement UltraSCSI. L'utilisation d'une telle configuration peut entraîner une détérioration des performances du bus SCSI et faire paniquer le système.

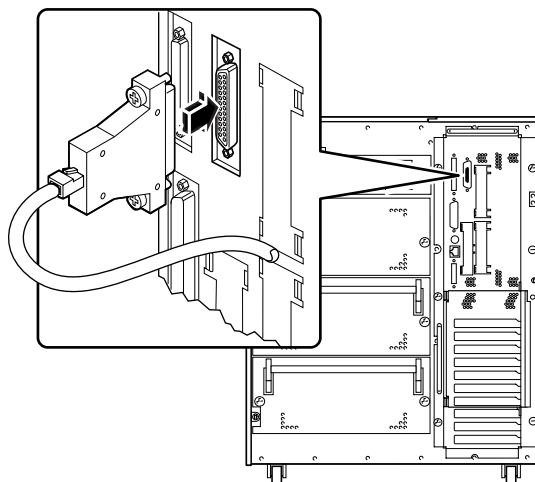
Que faire : avant d'utiliser cette configuration, désactivez le mode UltraSCSI sur tous les contrôleurs auxquels est connecté un SMP. Pour plus d'informations, reportez-vous aux pages de manuel `pci(4)`, `glm(7D)` et `isp(7D)`.

Remarque – L'autre solution qui consiste à effectuer un changement d'option SCSI global par le biais de `/etc/system` causerait la perte du mode UltraSCSI sur les fonds de panier de disques système internes.

Ce problème ne se présente pas avec les systèmes SPARCstorage MultiPack 2 à six lecteurs, qui peuvent fournir des performances de niveau UltraSCSI.

Connexion d'un terminal alphanumérique

L'illustration qui se trouve dans le *Guide du propriétaire Ultra Enterprise 450 Server* indique de façon erronée l'emplacement du connecteur du port série sur le panneau arrière du serveur. L'emplacement correct est indiqué ci-après.



Compatibilité électromagnétique

Le système serveur Ultra Enterprise 450 répond aux spécifications de la Classe B en ce qui concerne les interférences électromagnétiques (EMI) et est donc conforme aux normes internationales sauf dans le cas suivant :

- Le système utilise un module CPU 400-MHz dont le numéro de référence est 501-5239-04 ou supérieur

Si votre système utilise un module CPU 400-MHz dont le numéro de référence est 501-5239-04 ou supérieur, votre système répond aux spécifications de la Classe A.

Les spécifications de la classe B sont conçues pour un usage à domicile, et sont plus rigoureuses que celles de la classe A. A domicile, les limites de la classe B sont conçues pour offrir une protection raisonnable contre les émissions de fréquences radio. Certaines de ces normes figurent dans la "Déclaration de conformité" "Regulatory Compliance Statements" au début du *Guide du propriétaire Ultra Enterprise 450 Server*.

Certaines des normes de classe A figurent dans la “Déclaration de conformité” à la page iii de ces remarques.



Attention – Connecter des écouteurs à la prise jack du lecteur de CD-ROM de l’Ultra Enterprise 450 peut donner lieu à des émissions de fréquences radio dépassant les limites de la Classe B.

Montage en armoire du serveur Ultra Enterprise 450

Un kit permettant d’installer un Ultra Enterprise 450 dans une armoire standard de 19 pouces selon EIA est disponible. Pour plus d’informations, contactez votre représentant Sun.

Les informations sur le montage en armoire du serveur Ultra Enterprise 450 sont disponibles sur le Web à l’adresse suivante :

<http://docs.sun.com>

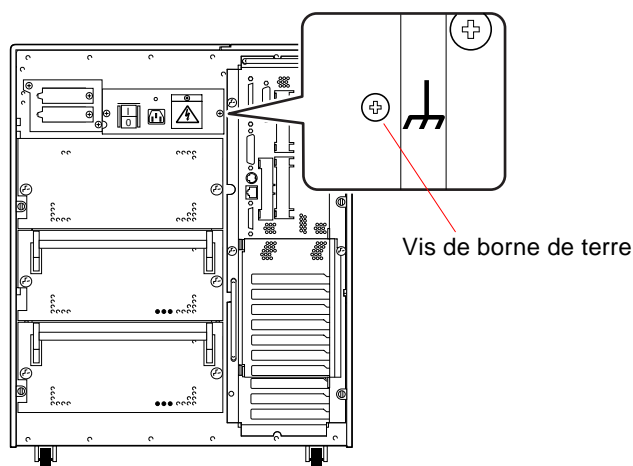
Cliquez sur “Mémoire et périphériques” dans la section Matériel et ouvrez *Rackmount Placement Matrix*.

Remarque – Avant d’installer le serveur Ultra Enterprise 450 dans un élément d’extension Sun Enterprise, veillez à retirer la plaque qui se trouve en bas à l’arrière de cet élément. Cette opération vous permettra de loger deux serveurs Ultra Enterprise 450 à l’intérieur. Pour plus d’informations, reportez-vous à la documentation qui accompagne cet élément.

Connexion de périphériques montés en armoire

Lorsque que vous connectez un serveur deskside Ultra Enterprise 450 à un périphérique monté dans une armoire quelconque, veillez à connecter un ruban antistatique entre le serveur et l'armoire. Ce ruban évitera toute boucle de mise à la terre entre les deux systèmes et les protégera contre les pertes de données.

En général, un ruban antistatique est fourni avec l'armoire. Fixez l'une des extrémités du ruban au point indiqué sur l'armoire, selon les instructions fournies avec cette dernière. Fixez ensuite l'autre extrémité à la vis de borne de terre du serveur Ultra Enterprise 450, comme indiqué sur la figure suivante. Veillez à bien serrer cette vis pour assurer une bonne connexion.



Attention – La vis de borne de terre du serveur Ultra Enterprise 450 est un composant clé pour ce qui est de la protection contre les décharges électriques en cas de défaillance électrique du système. Ne pas remettre en place ou ne pas serrer à fond cette vis peut créer des conditions dangereuses.

Assemblage de ventilation supérieur

L'assemblage de ventilation supérieur (n° de référence 540-3023) ne fait plus partie du serveur Ultra Enterprise 450 ; or, on assume dans les opérations du *Guide du propriétaire Ultra Enterprise 450 Server* et de l'application multimédia *ShowMe How Multimedia* que cette pièce est présente. Dans toutes les opérations impliquant le retrait de la carte logique principale, les instructions indiquent de déconnecter le câble du ventilateur supérieur de la carte logique principale avant de retirer la carte. Etant donné que votre système ne comporte pas d'assemblage de ce type, vous pouvez tout simplement ignorer cette étape.

Verrouillage électrique

Le serveur Ultra Enterprise 450 dispose d'un mécanisme de verrouillage électrique de sécurité. Le retrait de l'un des panneaux latéraux du système active des commutateurs de verrouillage électrique. Ce mécanisme de sécurité empêche les tensions c.c. d'atteindre les composants internes lorsque l'un des panneaux latéraux est retiré et que le courant alternatif passe. Ne retirez en aucun cas l'un des panneaux latéraux pendant le fonctionnement du système car ce dernier s'arrêterait brusquement.

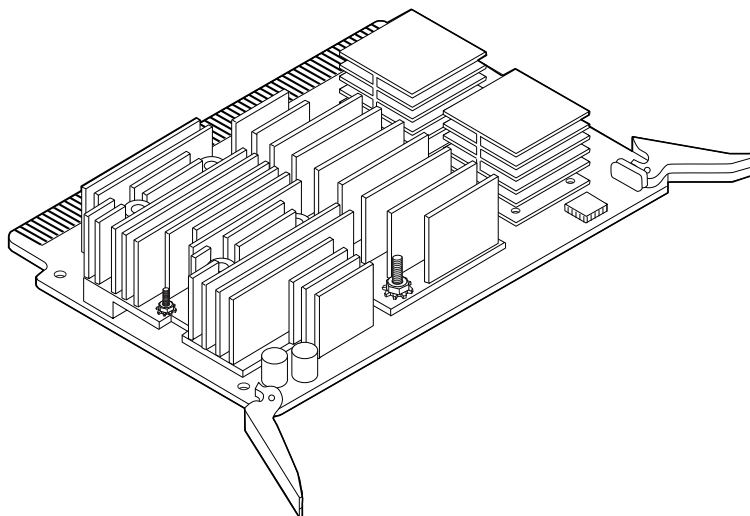
Note sul server Ultra Enterprise 450

Questo documento contiene informazioni aggiornate non incluse nella documentazione in formato cartaceo o multimediale dei server Ultra Enterprise™ 450. Gli argomenti trattati sono i seguenti:

- “I moduli CPU UltraSPARC II” a pagina 5-2
- “Regole per la configurazione dei moduli CPU” a pagina 5-3
- “Installazione di un modulo CPU” a pagina 5-3
- “Jumper della scheda logica principale” a pagina 5-4
- “Rimozione del modulo NVRAM” a pagina 5-5
- “Determinazione dei requisiti di alimentazione” a pagina 5-5
- “Funzione di blocco della memoria dell'alimentatore” a pagina 5-6
- “Requisiti software del sistema” a pagina 5-6
- “Unità SPARCstorage MultiPack” a pagina 5-7
- “Collegamento di un terminale alfanumerico” a pagina 5-8
- “Compatibilità elettromagnetica” a pagina 5-8
- “Montaggio in rack del server Ultra Enterprise 450” a pagina 5-9
- “Collegamento di periferiche montate in rack” a pagina 5-10
- “Gruppo di areazione superiore” a pagina 5-11
- “Meccanismo di interdizione dell'alimentazione” a pagina 5-11

I moduli CPU UltraSPARC II

Il server Ultra Enterprise 450 supporta un massimo di quattro moduli CPU UltraSPARC™ II a 250 MHz, 300 MHz o 400 MHz. La figura seguente mostra il nuovo modulo UltraSPARC II a 400 MHz, dotato di 4 Mbyte di memoria cache integrata.



Identificazione del modulo CPU

Prima di installare un modulo CPU, verificare che si tratti di uno dei seguenti moduli UltraSPARC II per server Ultra Enterprise 450. La tabella seguente riporta le velocità in MHz dei vari moduli CPU.

Velocità del modulo (MHz)	Numero di parte
250 MHz	501-4857 o 501-4278
300 MHz	501-4849 o 501-4196
400 MHz	501-5239 o 501-5446

Regole per la configurazione dei moduli CPU

Configurare i moduli CPU UltraSPARC II nel server secondo le regole descritte nella sezione “Informazioni sui moduli della CPU” del *Manuale dell'utente per server Ultra Enterprise 450*.



Attenzione – Tutte le CPU installate nel sistema devono operare alla stessa velocità di clock.

Nota – Per ricalcolare il consumo di energia del sistema in base ai nuovi moduli CPU, vedere la sezione “Determinazione dei requisiti di alimentazione” a pagina 5-5 di questo documento, e quindi consultare la sezione “Come determinare i requisiti di potenza del sistema” del *Manuale dell'utente per server Ultra Enterprise 450*.

Installazione di un modulo CPU

Prima di installare un modulo CPU, leggere la sezione “Informazioni sui moduli della CPU” del *Manuale dell'utente per server Ultra Enterprise 450*.



Attenzione – Prima di installare qualsiasi modulo CPU, leggere la sezione “Jumper della scheda logica principale” a pagina 5-4, e verificare che l'impostazione dei jumper sia corretta per la velocità del modulo CPU da installare. Un'impostazione errata del jumper per la selezione della modalità di clock della scheda logica principale può causare gravi danni al sistema.

Per installare uno o più moduli CPU nel server Ultra Enterprise 450, seguire le istruzioni della sezione “Come installare un modulo della CPU” del *Manuale dell'utente per server Ultra Enterprise 450*.

Nota – Prima di installare il quarto modulo CPU nello slot superiore (CPU-A1), rimuovere il modulo di protezione installato nel connettore (J0101). Afferrare il modulo di protezione per l'impugnatura anteriore e rimuoverlo dallo slot.

Jumper della scheda logica principale

Le seguenti informazioni rappresentano un aggiornamento del contenuto del *Manuale dell'utente per server Ultra Enterprise 450* per quanto riguarda i jumper della scheda logica principale:

- Diversamente da quanto indicato nella tabella della sezione “Informazioni sul jumper di selezione della modalità di clock”, il jumper per la selezione della modalità di clock (J2701) si trova ora sulla scheda logica principale del server Ultra Enterprise 450 (501-5270).

Impostare il ponticello del jumper per la selezione della modalità di clock all'indirizzo J2701 in modo che corrisponda alla velocità del modulo CPU UltraSPARC II. Verificare che l'impostazione sia corretta prima di avviare il sistema.

Jumper	Il ponticello sui piedini 1 + 2 seleziona	Il ponticello sui piedini 2 + 3 seleziona	Ponticello predefinito ¹ sui piedini	Segnale controllato
J2701	La modalità di clock corretta per i moduli CPU UltraSPARC II a 250 e 300 MHz	La modalità di clock corretta per i moduli CPU UltraSPARC II a 400 MHz	1 + 2	UPA_RATIO2

1. Impostazione di fabbrica per le schede madri fornite senza moduli CPU installati.

- La tabella che descrive le impostazioni relative ai tre jumper della flash PROM non è corretta. La tabella corretta è la seguente.

Jumper	Il ponticello sui piedini 1 + 2 seleziona	Il ponticello sui piedini 2 + 3 seleziona	Ponticello predefinito sui piedini	Segnale controllato
J3102	Flash PROM	Non utilizzato	1 + 2	FLASH PROM SEL
J3103	Protezione dalla scrittura	Abilitazione alla scrittura	2 + 3	FLASH PROM PROG ENABLE
J5501	Boot a metà altezza	Boot normale	2 + 3	XOR LOGIC SET

Rimozione del modulo NVRAM



Attenzione – Prima di rimuovere o di installare un modulo NVRAM sulla scheda logica principale, scollegare il connettore di alimentazione dalla scheda. Diversamente, si potrebbero causare danni alle informazioni memorizzate nel modulo NVRAM e al funzionamento del sistema. Per scollegare il connettore di alimentazione dalla scheda logica principale, allentare le viti prigioniera che fissano la scheda al pannello posteriore del sistema e tirare le impugnature sul retro della scheda.

Determinazione dei requisiti di alimentazione

La configurazione minima del server Ultra Enterprise 450 include due alimentatori, che assicurano energia sufficiente per tutte le configurazioni supportate.

Se la configurazione del sistema richiede un'alimentazione ridondante, potrà essere necessario aggiungere un terzo alimentatore.

Requisiti di alimentazione del sistema

Le informazioni seguenti integrano il contenuto della sezione “Foglio di lavoro per i requisiti di alimentazione del sistema” del *Manuale dell'utente per server Ultra Enterprise 450*. La tabella qui sotto permette di calcolare i requisiti di alimentazione dei sistemi che utilizzano uno o più moduli CPU a 400 MHz e il CD-ROM SunCD™ 32.

Riga N.	Dispositivo	Qtà	Amp a 3,3 V c.c.	Totale Ampere a 3,3 V	Amp a +5 V c.c.	Totale Ampere a 5 V	Amp a +12 c.c.	Totale Ampere a 12 V
CPU								
	CPU a 400 MHz con 4 MB di Ecache e convertitore DC/DC		5,0		5,6			
Dispositivi di memorizzazione interni								
	CD-ROM SunCD 32				0,55		0,61	

Funzione di blocco della memoria dell'alimentatore

L'alimentatore del server Ultra Enterprise 450 ha una funzione di blocco della memoria in grado di "ricordare" lo stato di accensione o spegnimento in cui il sistema si trovava prima di un'interruzione di corrente o del distacco del cavo di alimentazione. Questa funzione permette al sistema di riprendere automaticamente il funzionamento non appena l'alimentazione viene ripristinata. Permette inoltre di sostituire "a caldo" gli alimentatori.

In alcune circostanze, questa funzione può essere erroneamente interpretata come un malfunzionamento degli alimentatori. Se ad esempio si rimuove un alimentatore da un sistema spento e si cerca di eseguire un'installazione "a caldo" dopo avere acceso il sistema, l'alimentatore resterà spento. Questa condizione non deve essere interpretata come un malfunzionamento dell'alimentatore. Per attivare l'alimentatore, è sufficiente ruotare il selettore del pannello frontale dalla posizione di accensione alla posizione di diagnostica e quindi riportarlo in posizione di accensione. Oppure, è sufficiente premere il tasto di accensione su una tastiera Sun™ Tipo 5 collegata al sistema.

Requisiti software del sistema

Il server Ultra Enterprise 450 richiede Solaris™ 2.5.1 Hardware: 11/97, Solaris 2.6 Hardware: 3/98, Solaris 7 o una release successiva compatibile di Solaris. Per verificare che sul server Ultra Enterprise 450 sia installata la versione corretta dell'ambiente operativo, esaminare il file `/etc/release`. Il file dovrebbe, ad esempio, contenere il testo "Solaris 2.5.1 Hardware: 11/97" o identificare una release successiva compatibile di Solaris.

Le patch richieste per le specifiche versioni di Solaris sono disponibili sul sito Web SunSolve OnlineSM, all'indirizzo:

<http://sunsolve.sun.com/>

Unità SPARCstorage MultiPack

Esiste un problema di compatibilità tra i controller SCSI PCI integrati o di espansione del server Ultra Enterprise 450 e alcuni dispositivi SPARCstorage™ MultiPack (SMP) Fast/Wide SCSI che contengono unità UltraSCSI (Fast-20). I controller dei server Ultra Enterprise 450 operano automaticamente in modalità UltraSCSI quando sono presenti dispositivi UltraSCSI. Tuttavia, alcuni dispositivi SPARCstorage MultiPack (sia in versione a 6 che a 12 unità) non supportano il funzionamento in modalità UltraSCSI. L'uso di una configurazione di questo tipo può causare un peggioramento delle prestazioni del bus SCSI e un errore "panic" del sistema.

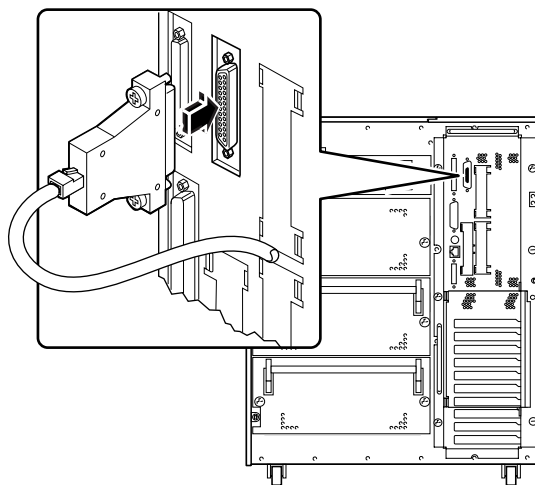
Soluzione: Prima di usare una configurazione di questo tipo, disabilitare la modalità UltraSCSI su ogni controller a cui è collegato un dispositivo SMP. Per maggiori dettagli, vedere le pagine `man pci(4)`, `glm(7D)` e `isp(7D)`.

Nota – La soluzione alternativa che consiste nel modificare a livello globale l'opzione SCSI nel file `/etc/system` causerebbe una perdita della modalità UltraSCSI sulle piastre base dei dischi interni del sistema.

Questo problema non si verifica con i sistemi SPARCstorage MultiPack 2 a sei unità, che supportano il funzionamento in modalità UltraSCSI.

Collegamento di un terminale alfanumerico

L'illustrazione riportata nel *Manuale dell'utente per server Ultra Enterprise 450* identifica erroneamente la posizione del connettore per la porta seriale sul pannello posteriore del server. La posizione corretta è indicata nella figura qui sotto.



Compatibilità elettromagnetica

Il server Ultra Enterprise 450 soddisfa i requisiti di Classe B per le interferenze elettromagnetiche (EMI) previsti dagli standard internazionali, ad eccezione del caso seguente:

- Il sistema utilizza un modulo CPU a 400 MHz con numero di parte 501-5239-04 o superiore.

Se il proprio sistema utilizza un modulo CPU a 400 MHz con numero di parte 501-5239-04 o superiore, il sistema è conforme ai requisiti di Classe A.

I requisiti di Classe B sono per uso in aree residenziali e sono più severi rispetto ai requisiti di Classe A. In ambito domestico, i limiti previsti per la Classe B sono volti a fornire una protezione adeguata contro eventuali interferenze da radiofrequenze. Alcuni di questi standard sono indicati nella “Dichiarazione di conformità” inclusa nella sezione “Regulatory Compliance Statements” all’inizio del *Manuale dell’utente per server Ultra Enterprise 450*. Alcuni degli standard relativi alla Classe A sono riportati nella “Dichiarazione di conformità” a pagina iii di queste Note sul prodotto



Attenzione – Il collegamento di una cuffia all’apposito jack del CD-ROM del sistema Ultra Enterprise 450 può produrre l’emissione di frequenze radio superiori ai limiti previsti per le apparecchiature di Classe B.

Montaggio in rack del server Ultra Enterprise 450

È disponibile un kit opzionale per l’installazione del server Ultra Enterprise 450 in un rack standard EIA da 19 pollici. Per maggiori dettagli, contattare il proprio rivenditore autorizzato Sun.

Per informazioni sul montaggio in rack del server Ultra Enterprise 450, si veda inoltre il sito Web:

<http://docs.sun.com>

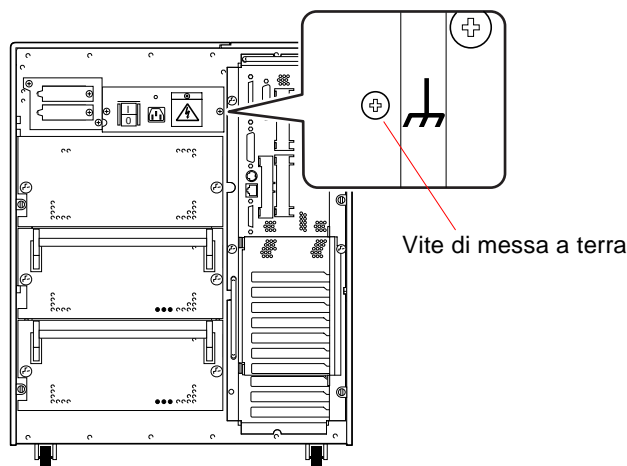
Fare clic su “Periferiche e unità di memorizzazione” nella sezione Hardware e aprire la *Rackmount Placement Matrix*.

Nota – Prima di installare il server Ultra Enterprise 450 in un cabinet di espansione Sun Enterprise, rimuovere la piastra situata nella parte bassa posteriore del cabinet. In questo modo sarà possibile collocare due server Ultra Enterprise 450 nel cabinet. Per maggiori dettagli, vedere la documentazione fornita con il cabinet di espansione Sun Enterprise.

Collegamento di periferiche montate in rack

Nel collegare un server Ultra Enterprise 450 a una periferica montata in un rack, collegare sempre un nastro di messa a terra appropriato tra il server e il rack. Questo nastro impedirà la formazione di collegamenti via terra tra i due sistemi e i conseguenti rischi di perdita dei dati.

I nastri di messa a terra fanno parte generalmente della dotazione standard dei rack. Collegare un'estremità del nastro al punto di messa a terra designato sul rack, secondo le istruzioni fornite con il cabinet, e collegare l'altra estremità alla vite di messa a terra del server Ultra Enterprise 450, come illustrato nella figura seguente. Per assicurare un buon collegamento, stringere la vite di messa a terra fino in fondo.



Attenzione – La vite di messa a terra del server Ultra Enterprise 450 è un componente fondamentale per la protezione del sistema contro gli shock elettrici nel caso di un'interruzione di corrente. Il mancato inserimento o un posizionamento non corretto della vite di messa a terra potrebbero generare condizioni di pericolo.

Gruppo di areazione superiore

Il server Ultra Enterprise 450 non comprende più il gruppo di areazione superiore (numero di parte 540-3023); tuttavia, le procedure descritte nel *Manuale dell'utente per server Ultra Enterprise 450* e nell'applicazione *ShowMe How Multimedia* fanno ancora riferimento a tale componente. Per le procedure che comportano la rimozione della scheda logica principale, le istruzioni indicano di scollegare il cavo del gruppo di areazione superiore dalla scheda prima di procedere alla rimozione. Poiché il sistema non contiene tale gruppo, ignorare questo passaggio.

Meccanismo di interdizione dell'alimentazione

Il server Ultra Enterprise 450 è dotato di un meccanismo di sicurezza con il quale, rimuovendo uno dei pannelli laterali del sistema, vengono attivati speciali interruttori di interdizione dell'alimentazione. Questo meccanismo impedisce che la tensione a corrente alternata raggiunga i componenti interni quando uno dei pannelli laterali viene staccato e l'interruttore di alimentazione principale viene lasciato acceso. Evitare di rimuovere i pannelli laterali con il sistema acceso. Tale rimozione causerà uno spegnimento immediato del sistema.

Ultra Enterprise 450 Server

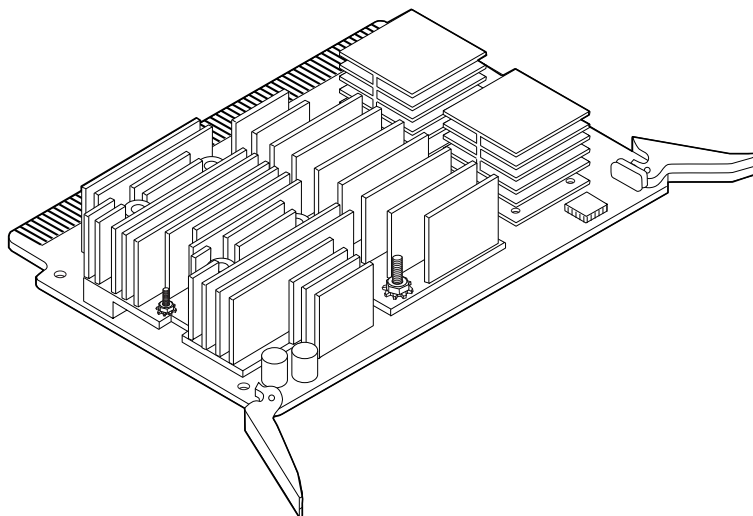
Produktinformation

I den här produktinformationen finner du senaste nytt om Ultra Enterprise™ 450 (sådan information som vi inte hann få med i system- eller multimediadokumentationen). Följande ämnen tas upp:

- “Om UltraSPARC II-CPU-moduler” på sidan 6-2
- “Regler för konfigurationer av CPU-moduler” på sidan 6-3
- “Installera CPU-moduler” på sidan 6-3
- “Huvudlogikkortets byglar” på sidan 6-4
- “Ta ur NVRAM-modulen” på sidan 6-5
- “Avgöra vilken strömförsörjning som behövs” på sidan 6-5
- “Nätaggregatets minne för strömläge” på sidan 6-6
- “Krav på systemprogramvara” på sidan 6-6
- “SPARCstorage MultiPack-enheter” på sidan 6-7
- “Ansluta en alfanumerisk terminal” på sidan 6-8
- “Elektromagnetisk kompatibilitet” på sidan 6-8
- “Rackmontering av Ultra Enterprise 450 Server” på sidan 6-9
- “Ansluta rackmonterade tillbehör” på sidan 6-10
- “Sats för övre blåsare” på sidan 6-11
- “Strömspär” på sidan 6-11

Om UltraSPARC II-CPU-moduler

Ultra Enterprise 450 stöder upp till fyra UltraSPARC™ II-CPU-moduler på 250 MHz, upptill fyra på 300 MHz, eller upptill fyra på 400 MHz. Följande figur visar den nya "nakna" UltraSPARC II-CPU-modulen på 400 MHz som har 4 Mbyte integrerat cache-minne.



Identifiera en CPU-modul

Innan du installerar en CPU-modul måste du kontrollera att den finns med i följande lista med UltraSPARC II-moduler för Ultra Enterprise 450-serverar. I följande tabell finns de olika CPU-hastigheterna angivna.

Modulhastighet (i MHz)	Artikelnummer
250 MHz	501-4857 och 501-4278
300 MHz	501-4849 och 501-4196
400 MHz	501-5239 och 501-5446

Regler för konfigurationer av CPU-moduler

Konfigurera UltraSPARC II-CPU-modulerna i servern enligt de regler som finns i avsnittet "Om CPU-moduler" i *Ultra Enterprise 450 Server Användarhandbok*.



Varning! Alla CPU:er i ett system måste gå på samma hastighet.

Obs! När du skall beräkna den nya strömförbrukningen för systemet med de nya CPU-modulerna tittar du först på "Avgöra vilken strömförsörjning som behövs" på sidan 6-5 i produktinformationen och sedan på "Hur man avgör systemets kraftbehov" i *Ultra Enterprise 450 Server Användarhandbok*.

Installera CPU-moduler

Innan du tar ur eller installerar några CPU-moduler bör du läsa avsnittet "Om CPU-moduler" i *Ultra Enterprise 450 Server Användarhandbok*.



Varning! Innan du installerar en CPU-modul bör du läsa avsnittet "Huvudlogikkortets byglar" på sidan 6-4 och kontrollera att byglarna är inställda för den hastighet som den nya processorn skall köras på. Systemet kan skadas allvarligt om huvudlogikkortets bygel för klockläge är felaktigt inställd.

Om du vill installera CPU-moduler i en Ultra Enterprise 450-server måste du följa instruktionerna i avsnitten "Hur man installerar en CPU-modul" i *Ultra Enterprise 450 Server Användarhandbok*.

Obs! Innan du installerar en fjärde CPU-modul i den översta CPU-platsen (CPU-A1) måste du ta ur den tomma plugg som eventuellt sitter i kontakten (J0101). Ta tag i det främre handtaget på pluggen och lirka ut den ur CPU-platsen.

Huvudlogikkortets byglar

Följande information gäller i stället för den information om huvudlogikkortets byglar som finns i *Ultra Enterprise 450 Server Användarhandbok*:

- I motsats till vad som anges i tabellen i avsnittet "Om bygeln för klocklägesval" används numera bygeln för klocklägesval (J2701) på Ultra Enterprise 450:s huvudlogikkort (501-5270).

Ställ in bygelblocket för val av klockläge på adressen J2701 så att det överensstämmer med hastigheten på din UltraSPARC II-CPU-modul. Kontrollera att bygeln är korrekt inställd innan du startar systemet.

Bygel	Block på stift 1 + 2...	Block på stift 2 + 3...	Standardläge för blocket ¹	Styrd signal
J2701	anger rätt klockläge för UltraSPARC II-CPU-moduler på 250 och 300 MHz	anger rätt klockläge för UltraSPARC II-CPU-moduler på 400 MHz	1 + 2	UPA_RATIO2

1. Fabriksinställning för huvudlogikkort utan CPU-moduler.

- Den tabell som beskriver de olika inställningarna för de tre flash-PROM-byglarna är felaktig. En korrigerad version av tabellen finns här nedan.

Bygel	Block på stift 1 + 2...	Block på stift 2 + 3...	Standardläge för blocket	Styrd signal
J3102	anger flash-PROM	skall ej användas	1 + 2	FLASH PROM SEL
J3103	skrivskydd	anger att skrivning är tillåten	2 + 3	FLASH PROM PROG ENABLE
J5501	start av övre halvan	anger normal start	2 + 3	XOR LOGIC SET

Ta ur NVRAM-modulen



Varning! Innan du tar ur eller installerar en NVRAM-modul på huvudlogikkortet måste du se till att kortet är losskopplat från sin strömkontakt. I annat fall kan information lagrad i NVRAM-modulen skadas och systemet påverkas på ett mycket allvarligt sätt. För att koppla loss kortet från kontakten skruvar du ur de skruvar som håller fast kortet vid systemets bakpanel och trycker ned handtagen längst bak på kortet tills det är helt losskopplat från strömkontakten.

Avgöra vilken strömförsörjning som behövs

Minimikonfigurationen av Ultra Enterprise 450 innehåller nu två nätaggregat, vilket är tillräckligt för alla konfigurationer som stöds.

Om systemkonfigurationen kräver redundant strömförsörjning måste du eventuellt installera ett tredje aggregat.

Om arbetsbladet för systemets strömförbrukning

Följande information utgör ett tillägg till avsnittet "Arbetsblad för systemets kraftbehov" i *Ultra Enterprise 450 Server Användarhandbok*. Om du skall beräkna strömbehoven för ett system där en eller flera CPU-moduler på 400 MHz och CD-ROM-spelaren SunCD™ 32 skall ingå, behöver du följande information.

Rad nr	Tillval	Ant	+3,3 volt likström amp	Total amp @ 3,3 V	+5 volt likström amp	Total amp @ 5 V	+12 volt likström amp	Total amp @ 12 V
CPU-tillval								
	400 MHz CPU med 4 Mbyte Ecache och DC/DC-omvandlare		5,0		5,6			
Tillval för interna lagringsenheter								
	SunCD 32 CD-ROM				0,55		0,61	

Nätaggregatets minne för strömläge

Nätaggregaten i Ultra Enterprise 450 har ett minne för strömläge som gör att de kan "komma ihåg" om de är i läge "på" eller "av" om ett strömavbrott skulle inträffa, eller växelströmskabeln dras ur. Detta innebär att nätaggregaten kan gå igång igen automatiskt så fort strömmen kommer tillbaka. Den gör det även möjligt att byta nätaggregat under drift.

Under vissa förhållanden gör dock den här funktionen att det ser ut som om det vore fel på nätaggregatet. Om du skulle ta ur ett nätaggregat ur ett avstängt system och sätta i det i ett som är påslaget förblir nätaggregatet avstängt. Du skall inte tolka detta som att aggregatet är defekt. För att aktivera nätaggregatet vrider du helt enkelt frontpanelens nyckelbrytare från läget för påslag ("Power-On") till läget för diagnostik ("Diagnostics") och sedan tillbaka till "Power-On". Om du använder ett Sun™ Type-5-tangentbord trycker du på "Power-On"-tangenten.

Krav på systemprogramvara

Ultra Enterprise 450 kräver Solaris™ 2.5.1 Hardware: 11/97, Solaris 2.6 Hardware: 3/98, Solaris 7 eller någon senare kompatibel Solaris-version. För att kontrollera att du har rätt version av operativmiljön installerad kan du titta i filen `/etc/release`. I denna fil skall t. ex. finnas texten "Solaris 2.5.1 Hardware: 11/97" eller motsvarande för en senare kompatibel version.

Eventuella korrigeringsfiler till din Solaris-version kan hämtas på webbplatsen SunSolve OnlineSM, som finns på följande URL:

<http://sunsolve.Sun.COM/>

SPARCstorage MultiPack-enheter

För Ultra Enterprise 450 föreligger det ett kompatibilitetsproblem mellan inbyggda värdadapttrar och tillvalsvärdadapttrar för SCSI med PCI-buss (HBA:er), och vissa äldre Fast/Wide SCSI SPARCstorage™ MultiPack (SMP)-enheter där det eventuellt ingår enheter som klarar UltraSCSI (Fast-20). Om det finns några UltraSCSI-enheter använder HBA:erna till Ultra Enterprise 450 UltraSCSI som standard. Vissa SPARCstorage MultiPack-enheter (både för sex och tolv enheter) stöder dock inte UltraSCSI. Om du försöker använda en sådan konfiguration kan SCSI-bussens prestanda försämrans och systemet eventuellt kraschar.

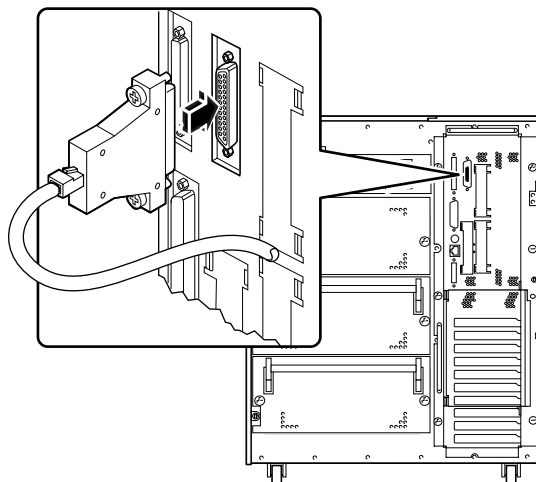
Lösning: Innan du använder denna konfiguration måste du deaktivera UltraSCSI för alla styrenheter som har en SMP ansluten. Se mansidorna för `pci(4)`, `glm(7D)` och `isp(7D)` för mer information.

Obs! En alternativ lösning (som innebär att man ändrar hela SCSI-konfigurationen genom `/etc/system`) medför att UltraSCSI inte heller skulle användas på bakplanen för systemets interna skivor.

Problemet förekommer ej med SPARCstorage MultiPack 2-system med sex enheter (dessa system klarar UltraSCSI).

Ansluta en alfanumerisk terminal

Bilden i *Ultra Enterprise 450 Server Användarhandbok* ger inte en korrekt beskrivning av var serieporten sitter på serverns bakpanel. Rätt plats visas nedan.



Elektromagnetisk kompatibilitet

Ultra Enterprise 450 Server uppfyller EMI-kraven klass B enligt internationella standarder, utom i följande fall:

- Om systemet använder en 400 MHz-processormodul med artikelnummer 501-5239-04 eller högre

I detta fall, d.v.s. om systemet använder en 400 MHz-processormodul med artikelnummer 501-5239-04 eller högre uppfyller systemet bara kraven för klass A.

Kraven i klass B är tänkta att gälla hemanvändning och är strängare än klass-A-kraven. I hemmet är klass-B-gränserna tänkta att ge ett någorlunda gott skydd mot radiofrekvensinterferens. Vissa av dessa standarder finns angivna i "Declaration of Conformity" i "Intyg om uppfyllda krav" i början av *Ultra Enterprise 450 Server Användarhandbok*.

Vissa av klass-A-standarderna står i "Declaration of Conformity" på sidan iii i denna produktinformation.



Varning! Om du ansluter hörlurar till hörlursjacket på Ultra Enterprise 450:s CD-ROM-enhet kan radiofrekvensstrålningen överskrida klass B-gränsvärdena.

Rackmontering av Ultra Enterprise 450 Server

Det finns som tillval en rackmonteringsatts för att montera Ultra Enterprise 450 i ett vanligt 19-tums EIA-rack. För fler detaljer kontaktar du din auktoriserade Sun-återförsäljare.

Information om rackmontering av Ultra Enterprise 450-serverar finns på följande Internet-adress:

<http://docs.sun.com>

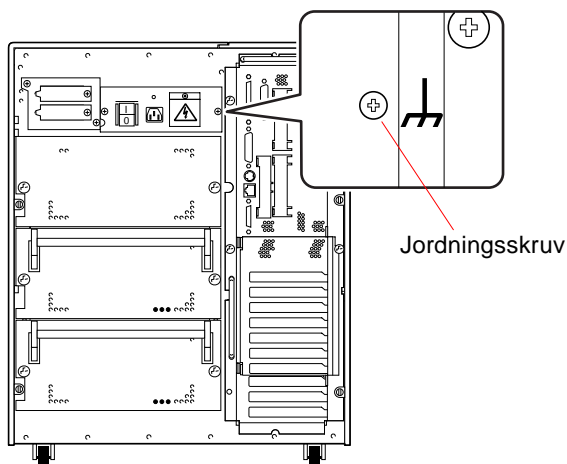
Klicka på "Minne och kringutrustning" i avsnittet Maskinvara och öppna *Rackmount Placement Matrix*.

Obs! Innan Ultra Enterprise 450 installeras i ett Sun Enterprise Expansion Cabinet skall sparkplåten längst ner baktill i utrustningen ovillkorligen tas bort. Om den tas bort får man plats med två Ultra Enterprise 450-serverar. Mer information finns i den dokumentation som medföljer utrustningen.

Ansluta rackmonterade tillbehör

Om en fristående Ultra Enterprise 450-server ansluts till ett rackmonterat tillbehör måste man koppla ett lämpligt jordningsband mellan servern och rackhöljet. Bandet förhindrar jordningsslingor mellan de båda systemen och skyddar mot eventuella dataförluster.

Ett jordningsband medföljer oftast racket. Anslut den ena änden av bandet till rätt jordningspunkt på rackhöljet enligt instruktionerna för racket. Anslut den andra änden till jordningsskruven på Ultra Enterprise 450 (se följande figur). Kontrollera att jordningsskruven är ordentligt åtskruvad för att garantera en bra anslutning.



Varning! Jordningsskruven på Ultra Enterprise 450 är en kritisk komponent för att skydda mot elchock om något strömförsörjningsfel skulle uppkomma i systemet. Om du inte sätter tillbaka skruven och skruvar åt den ordentligt kan en mycket riskabel situation uppstå.

Sats för övre blåsare

Satsen för övre blåsare (artikelnummer 540-3023) ingår inte längre i Ultra Enterprise 450, men instruktionerna i *Ultra Enterprise 450 Server Användarhandbok* och *ShowMe How Multimedia* förutsätter att den finns. Om man av någon anledning måste ta bort huvudloggkortet får man instruktioner att koppla loss kabeln för övre blåsare från huvudloggkortet innan detta tas bort. Eftersom det inte ingår någon sats för övre blåsare i systemet kan man utan risk strunta i detta steg.

Strömspärr

Ultra Enterprise 450 har en säkerhetsfunktion med en strömspärr. Om man tar loss någon av systemets sidopaneler aktiveras systemets strömspärr. Denna säkerhetsmekanism ser till att inga interna komponenter får likström när någon sidopanel är borttagen även om växelströmsbrytaren är i läge "on". Ta därför inte loss någon av sidopanelerna medan systemet är igång. Om du gör det kommer systemet omedelbart att stängas av.

Copyright 1999 Sun Microsystems, Inc., 901 San Antonio Road • Palo Alto, CA 94303 USA. Alle Rechte vorbehalten.

Dieses Produkt oder Dokument ist urheberrechtlich geschützt und wird in Lizenz vertrieben. Dadurch sind seine Verwendung, Vervielfältigung, Weitergabe und Dekompilierung eingeschränkt. Ohne vorherige schriftliche Genehmigung der Sun Microsystems, Inc., oder gegebenenfalls ihrer Lizenzgeber darf kein Teil dieses Produkts oder Dokuments auf irgendeine Weise - grafisch, elektronisch oder mechanisch - vervielfältigt werden. Software von anderen Herstellern einschließlich aller Schriften ist urheberrechtlich geschützt und von Sun-Lieferanten lizenziert.

Teile dieses Produkts können auf Berkeley BSD-Systemen basieren, die von der University of California lizenziert sind. UNIX ist ein in den USA und anderen Ländern eingetragenes Warenzeichen, das ausschließlich über die X/Open Company, Ltd., lizenziert wird.

Sun, Sun Microsystems, das Sun-Logo, AnswerBook, Ultra Enterprise, SunCD und Solaris sind Warenzeichen oder eingetragene Warenzeichen von Sun Microsystems, Inc., in den USA und in anderen Ländern. Alle SPARC-Warenzeichen werden unter Lizenz verwendet und sind Warenzeichen oder eingetragene Warenzeichen von SPARC International, Inc., in den USA und in anderen Ländern. Produkte mit SPARC-Warenzeichen basieren auf einer von Sun Microsystems, Inc., entwickelten Architektur.

Die grafischen Benutzerschnittstellen OPEN LOOK und Sun™ wurden von Sun Microsystems, Inc., für seine Benutzer und Lizenznehmer entwickelt. Sun anerkennt dabei die von der Xerox Corporation geleistete Forschungs- und Entwicklungsarbeit auf dem Gebiet der visuellen oder grafischen Benutzeroberflächen für die Computerindustrie. Sun ist Inhaber einer nicht ausschließlichen Lizenz von Xerox für die grafische Benutzeroberfläche von Xerox. Diese Lizenz gilt auch für Suns Lizenznehmer, die mit den OPEN LOOK-Spezifikationen übereinstimmende Benutzerschnittstellen implementieren und sich an die schriftlichen Lizenzvereinbarungen mit Sun halten.

DIE DOKUMENTATION WIRD IN DER VORLIEGENDEN FORM GELIEFERT, UND ALLE AUSDRÜCKLICHEN ODER IMPLIZITEN REGELUNGEN, ZUSAGEN UND GEWÄHRLEISTUNGEN, EINSCHLIESSLICH JEDLICHER IMPLIZITEN GEWÄHRLEISTUNG HINSICHTLICH HANDELSÜBLICHER QUALITÄT, DER EIGNUNG FÜR EINEN BESTIMMTEN ZWECK UND DER WAHRUNG DER RECHTE DRITTER, WERDEN AUSGESCHLOSSEN, SOWEIT EIN SOLCHER HAFTUNGSAUSSCHLUSS GESETZLICH ZULÄSSIG IST.

Copyright 1999 Sun Microsystems, Inc., 901 San Antonio Road • Palo Alto, CA 94303 USA. Todos los derechos reservados.

Este producto o documento está protegido por copyright y distribuido bajo licencias que restringen su uso, copia, distribución y descompilación. Ninguna parte de este producto o documento puede ser reproducida en ninguna forma ni por cualquier medio sin la autorización previa por escrito de Sun y sus concesionarios, si los hubiera. El software de terceros, incluyendo la tecnología de fuentes, tiene copyright y está concedido bajo licencia por proveedores de Sun..

Partes de este producto pueden derivarse de los sistemas Berkeley BSD, bajo licencia de la Universidad de California. UNIX es una marca registrada en los EE.UU. y otros países, bajo licencia exclusiva de X/Open Company, Ltd.

Sun, Sun Microsystems, el logotipo de Sun, AnswerBook, Ultra Enterprise, SunCD y Solaris son marcas comerciales, marcas comerciales registradas o marcas de servicio de Sun Microsystems, Inc. en los EE.UU. y otros países. Todas las marcas comerciales SPARC se utilizan bajo licencia y son marcas comerciales o marcas comerciales registradas de SPARC International, Inc. en EE.UU. y otros países. Los productos con marcas comerciales SPARC están basados en una arquitectura desarrollada por Sun Microsystems, Inc.

OPEN LOOK y la Interfaz Gráfica de Usuario (Graphical User Interface) de Sun™ fueron desarrollados por Sun Microsystems, Inc. para sus usuarios y licenciatarios. Sun reconoce los esfuerzos pioneros de Xerox en la investigación y desarrollo del concepto de interfaces gráficas o visuales de usuario para el sector informático. Sun mantiene una licencia no exclusiva de Xerox para Xerox Graphical User Interface, que también cubre a los concesionarios de Sun que implanten la GUI de OPEN LOOK y que por otra parte cumplan con los acuerdos de licencia por escrito de Sun.

ESTA DOCUMENTACIÓN SE PROPORCIONA "TAL CUAL" SIN GARANTÍA DE NINGUNA CLASE, EXPRESA O IMPLÍCITA, INCLUYENDO, PERO NO LIMITÁNDOSE, A LAS GARANTÍAS IMPLÍCITAS O DE COMERCIALIZACIÓN, Y LA IDONEIDAD PARA UN PROPÓSITO PARTICULAR O LA NO INFRACCIÓN.

Copyright 1999 Sun Microsystems, Inc., 901 San Antonio Road • Palo Alto, CA 94303 USA. Tutti i diritti riservati.

Questo prodotto o documento è protetto da copyright e distribuito sotto licenze che ne limitano l'uso, la copia, la distribuzione e la decompilazione. Nessuna parte di questo prodotto o documento può essere riprodotta, in qualunque forma o con qualunque mezzo, senza la previa autorizzazione scritta di Sun e dei suoi eventuali concessionari di licenza. I prodotti software di terze parti, incluse le tecnologie dei font, sono protetti da copyright e distribuiti su licenza dai fornitori di font Sun.

Alcune parti di questo prodotto possono derivare dai sistemi Berkeley BSD, concessi in licenza dalla University of California. UNIX è un marchio registrato negli Stati Uniti e in altri paesi, distribuito su licenza esclusivamente da X/Open Company, Ltd.

Sun, Sun Microsystems, il logo Sun, AnswerBook, Ultra Enterprise, SunCD e Solaris sono marchi, marchi registrati o marchi di servizi di Sun Microsystems, Inc. negli Stati Uniti e in altri paesi. Tutti i marchi SPARC sono utilizzati su licenza e sono marchi o marchi registrati di SPARC International, Inc. negli Stati Uniti e in altri paesi. I prodotti con marchio SPARC sono basati su un'architettura sviluppata da Sun Microsystems, Inc.

Le interfacce utente grafiche OPEN LOOK e Sun™ sono state sviluppate da Sun Microsystems, Inc. per i suoi utenti e licenziatari. Sun riconosce il lavoro innovativo di Xerox nella ricerca e nello sviluppo del concetto di interfaccia utente grafica o visuale per l'industria informatica. Sun detiene una licenza non esclusiva di Xerox per la Xerox Graphical User Interface; tale licenza copre anche i licenziatari di Sun che implementano le GUI OPEN LOOK e che aderiscono ai contratti di licenza stipulati con Sun.

QUESTA DOCUMENTAZIONE VIENE FORNITA SENZA ALCUNA GARANZIA ESPLICITA O IMPLICITA, INCLUSE LE EVENTUALI GARANZIE IMPLICITE DI COMMERCIALIZZABILITÀ, IDONEITÀ A UN DETERMINATO SCOPO O NON VIOLAZIONE, ESCLUSE LE EVENTUALI GARANZIE PREVISTE DALLE LEGGI IN VIGORE.

Copyright 1999 Sun Microsystems, Inc., 901 San Antonio Road, Palo Alto, CA 94303-4900 U.S.A.

Denna produkt eller detta dokument skyddas av upphovsrättslagen och levereras med en licens som begränsar användarens rättigheter att använda, kopiera, distribuera och dekompilera produkten. Denna produkt eller detta dokument får inte utan skriftlig tillåtelse från Sun eller Suns licensgivare kopieras på något sätt. Tredjepartsprogramvara, inklusive teckensnittsteknologi är också skyddad och licensierad från Suns leverantörer.

Delar av denna produkt härrör från Berkeleys BSD-system, för vilket Sun har licenser från University of California. UNIX är ett registrerat varumärke i USA och andra länder och licensieras endast av X/Open Company Ltd.

Sun, Sun Microsystems, Sun-logotypen, AnswerBook, Ultra Enterprise, SunCD och Solaris är varumärken eller registrerade varumärken för Sun Microsystems, Inc. i USA och andra länder. Alla SPARC-varumärken är licensierade och är varumärken eller registrerade varumärken för SPARC International, Inc. i USA och andra länder. Produkter som bär SPARC-varumärkena är baserade på en arkitektur som Sun Microsystems, Inc. har utvecklat.

OPEN LOOK® och Suns grafiska användargränssnitt har utvecklats av Sun Microsystems, Inc. för användare och licenstagare. Sun erkänner Xerox banbrytande insatser inom forskningen om och utvecklingen av begreppet visuellt eller grafiskt användargränssnitt för datorindustrin. Sun har en icke-exklusiv licens från Xerox avseende Xerox grafiska användargränssnitt, som också omfattar Suns licenstagare som utvecklar grafiska användargränssnitt enligt OPEN LOOK och i övrigt uppfyller Suns skriftliga licensavtal.

DENNA DOKUMENTATION LEVERERAS I BEFINTLIGT SKICK UTAN NÅGRA SOM HELST GARANTIER, VARE SIG UTTRYCKLIGA ELLER UNDERFÖRSTÅDDA, TILL EXEMPEL UNDERFÖRSTÅDDA GARANTIER OM ATT DEN SKULLE VARA I SÄLJBART SKICK, ATT DEN ÄR LÄMPLIG FÖR ETT VISST ÄNDAMÅL ELLER ATT DEN INTE INKRÄKTAR PÅ ANDRA FÖRETAGS RÄTTIGHETER.