

Sun Enterprise™ 220R Server

Setup and Rackmounting Guide

Guide d'installation et de montage en armoire

Handbuch zu Installation und Rack-Montage

Guida di installazione e montaggio in rack

Manual de instalación y montaje en rack

Handbok för installation och rackmontering



THE NETWORK IS THE COMPUTER™

Sun Microsystems, Inc.
901 San Antonio Road
Palo Alto, CA 94303-4900 USA
650 960-1300 Fax 650 969-9131

Part No. 806-1087-11
Revision A, December 1999

Send comments about this document to: docfeedback@sun.com

Copyright 1999 Sun Microsystems, Inc., 901 San Antonio Road • Palo Alto, CA 94303 USA. All rights reserved.

This product or document is protected by copyright and distributed under licenses restricting its use, copying, distribution, and decompilation. No part of this product or document may be reproduced in any form by any means without prior written authorization of Sun and its licensors, if any. Third-party software, including font technology, is copyrighted and licensed from Sun suppliers.

Parts of the product may be derived from Berkeley BSD systems, licensed from the University of California. UNIX is a registered trademark in the U.S. and other countries, exclusively licensed through X/Open Company, Ltd. For Netscape Communicator™, the following notice applies: Copyright 1995 Netscape Communications Corporation. All rights reserved.

Sun, Sun Microsystems, the Sun logo, Sun Enterprise, AnswerBook, AnswerBook2, docs.sun.com, and Solaris are trademarks, registered trademarks, or service marks of Sun Microsystems, Inc. in the U.S. and other countries. All SPARC trademarks are used under license and are trademarks or registered trademarks of SPARC International, Inc. in the U.S. and other countries. Products bearing SPARC trademarks are based upon an architecture developed by Sun Microsystems, Inc.

The OPEN LOOK and Sun™ Graphical User Interface was developed by Sun Microsystems, Inc. for its users and licensees. Sun acknowledges the pioneering efforts of Xerox in researching and developing the concept of visual or graphical user interfaces for the computer industry. Sun holds a non-exclusive license from Xerox to the Xerox Graphical User Interface, which license also covers Sun's licensees who implement OPEN LOOK GUIs and otherwise comply with Sun's written license agreements.

RESTRICTED RIGHTS: Use, duplication, or disclosure by the U.S. Government is subject to restrictions of FAR 52.227-14(g)(2)(6/87) and FAR 52.227-19(6/87), or DFAR 252.227-7015(b)(6/95) and DFAR 227.7202-3(a).

DOCUMENTATION IS PROVIDED "AS IS" AND ALL EXPRESS OR IMPLIED CONDITIONS, REPRESENTATIONS AND WARRANTIES, INCLUDING ANY IMPLIED WARRANTY OF MERCHANTABILITY, FITNESS FOR A PARTICULAR PURPOSE OR NON-INFRINGEMENT, ARE DISCLAIMED, EXCEPT TO THE EXTENT THAT SUCH DISCLAIMERS ARE HELD TO BE LEGALLY INVALID.



Please
Recycle



Adobe PostScript

Contents

Sun Enterprise 220R Setup and Rackmounting Guide	en-1
Guide d'installation et de montage en armoire du serveur Sun Enterprise 220R	fr-1
Sun Enterprise 220R Handbuch zu Installation und Rack-Montage	de-1
Sun Enterprise 220R guida di installazione e montaggio in rack	it-1
Manual de instalación y montaje en rack del servidor Sun Enterprise 220R	es-1
Handbok för installation och rackmontering av Sun Enterprise 220R	sv-1

Setup and Rackmounting Guide

This guide shows you how to install the Sun Enterprise™ 220R workgroup server into a Sun expansion cabinet, or other EIA-compliant rack enclosure.

The following tasks and information topics are covered in this guide:

- Getting Started — page en-2
 - Unpack the System — page en-2
 - Verify the Kit Contents — page en-3
- Rack Installation — page en-7
 - Tools Required — page en-7
 - Safety Precautions — page en-8
 - Prepare the Rack Enclosure — page en-9
 - Attach the Mounting Brackets to Each Slide Assembly — page en-10
 - Install the Slide Assemblies Into the Rack Enclosure — page en-13
 - Install the Server Into the Rack Enclosure — page en-17
- System Setup — page en-21
 - Connect the Power Cord — page en-22
 - Connect the Ethernet Cable — page en-25
 - Install Options — page en-22
 - Install a System Console — page en-27
 - Restore the Rack Enclosure — page en-31
 - Connect the Ethernet Cable — page en-25
 - Install the Operating System — page en-34
 - Install Online Documentation — page en-34
- Rack Enclosure Requirements — page en-35

Getting Started

To install a Sun Enterprise server, complete the following tasks in the order listed:

- Unpack the system and verify the kit contents. See Chapter 1.
- Rackmount the server. See Chapter 2.
- Set up and power-on the server and install the operating system. See Chapter 3.

Unpack the System

Your system is shipped from the factory with most internal options installed. Peripherals that are not factory installed are shipped separately. Unpacking instructions are printed on the outside of the shipping carton.

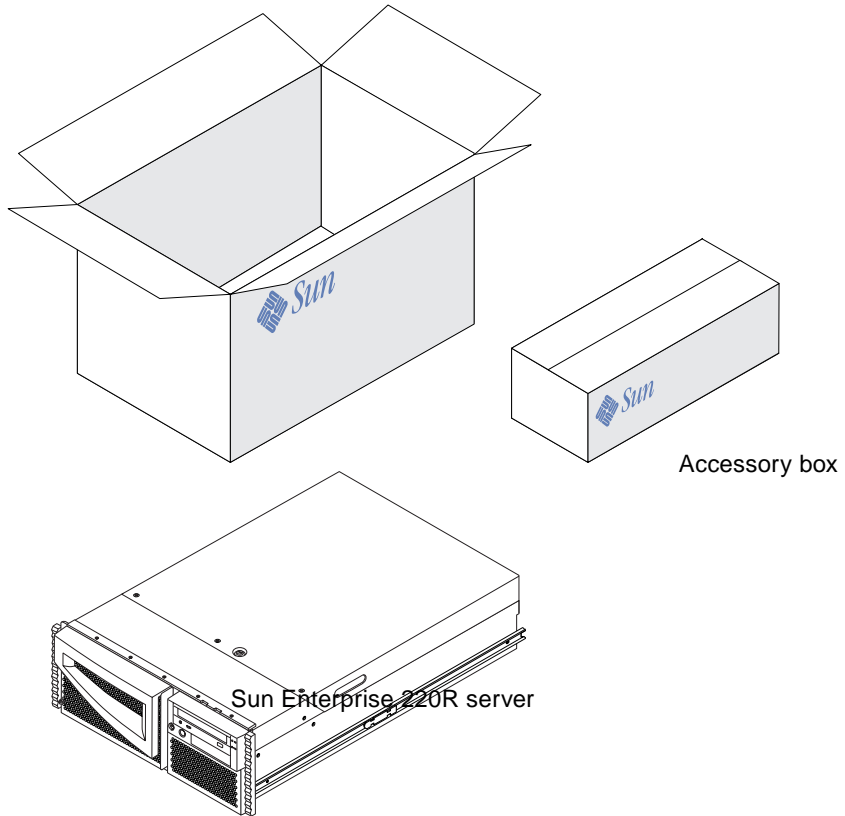
Inspect all shipping cartons for evidence of physical damage. If a shipping carton is damaged, request that the carrier's agent be present when the carton is opened. Keep all contents and packing material for the agent's inspections.

Check that you've received all of the parts you ordered. Contact Sun Microsystems or your distributor/reseller if you are missing anything.

Verify the Kit Contents

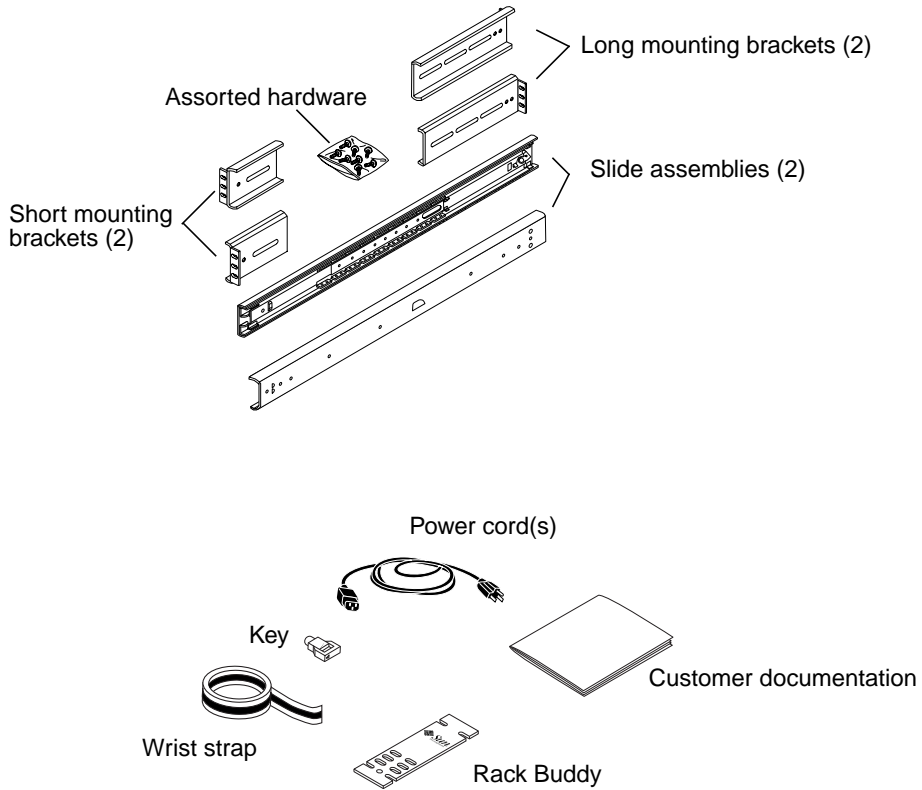
The shipping carton contains the following parts:

- Sun Enterprise 220R workgroup server
- Accessory box

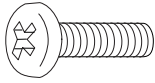


Accessory Box Contents

The accessory box contains the following parts:



The accessory box also contains a plastic bag of assorted hardware: screws, nuts, and washers, shown in actual size. You will need this hardware to install the rackmounting brackets and slide assemblies.



10-32 x 3/4
screw (8)



8-32 x 3/8
screw (8)



flat
washer (8)



lock
washer (8)



nut (8)

Note – Bar nuts are required (but not included) for non-threaded rack enclosures. See your rack enclosure instructions for more information. Bar nuts are not used in Sun rack enclosures.

Rack Installation

This chapter provides step-by-step instructions for rackmounting the server into a Sun expansion cabinet or other EIA-compliant rack enclosure.

To rackmount a Sun Enterprise 220R server, complete the following tasks in the order listed:

- “Prepare the Rack Enclosure” on page en-9
- “Attach the Mounting Brackets to Each Slide Assembly” on page en-10
- “Install the Slide Assemblies Into the Rack Enclosure” on page en-13
- “Install the Server Into the Rack Enclosure” on page en-17

The *Sun Enterprise 220R Server Rackmounting Overview* included with your documentation set illustrates the rackmounting steps in a convenient, graphical overview. This chapter provides detailed information about each step.

Tools Required

- Phillips #2 screwdriver
- Flat-blade screwdriver
- Set of Allen wrenches to remove the side panels on some rack enclosures
- An adjustable wrench to tighten the nuts on the mounting brackets

Before You Begin

- Unpack the system and verify the contents. See Chapter 1 for instructions.
- Unpack the accessory box and place the slide assemblies, mounting brackets, and hardware on a clear surface.
- Verify that you have the components and hardware shown in “Accessory Box Contents” on page en-4.
- Read the rack enclosure requirements described in Appendix A of this guide.
- Read the Safety Precautions that follow.

Safety Precautions

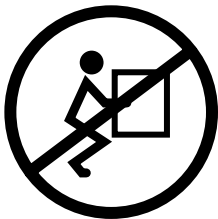
For a complete description of the safety precautions to follow when installing a Sun Enterprise 220R server, see the *Sun Enterprise 220R Server Owner's Guide*.



Caution – Install the system as low as possible into the rack enclosure. For best stability, do not install the system above equipment that weighs less than it does.



Caution – The system is heavy. In the following procedures, two people are required to move the system. Two people are also required to align and install the slide assemblies into the rack.





Caution – For proper ventilation, each system in the rack enclosure requires 28 square inches (181 square cm) of unrestricted airflow into the front of the system, and 23 square inches (148 square cm) of unrestricted exhaust port at the back of the system. Maintain a minimum 1.5 inches (3.8 cm) clearance between the system and any front or back doors. See Appendix A for more information.

Prepare the Rack Enclosure

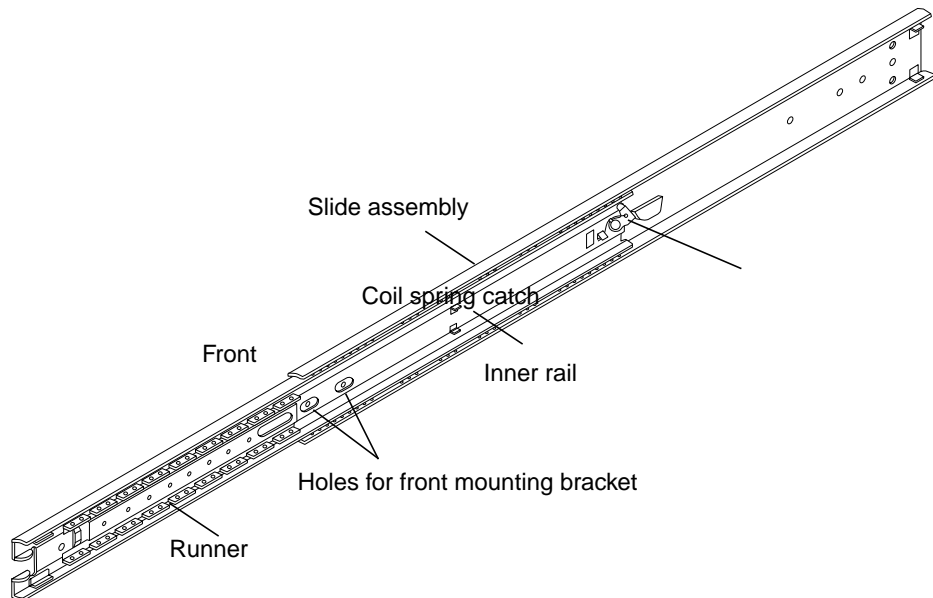
- 1. Open and remove (if applicable) the front and back doors of the rack enclosure.**
See the instructions provided with your rack enclosure.
- 2. Stabilize the rack enclosure by extending its anti-tip legs or bolting the rack securely to the floor.**
See the instructions provided with your rack enclosure.
- 3. Remove the side panels from the rack enclosure, if applicable.**
See the instructions provided with your rack enclosure. Removing the side panels can improve access to the nuts and screws that are installed when securing the system in the rack enclosure.

Attach the Mounting Brackets to Each Slide Assembly

Attach a short and a long mounting bracket to the outside of each slide assembly.
Repeat these steps for each slide assembly.

1. **Attach a short mounting bracket to the front of each slide assembly.**
 - a. **Extend the slide assembly to expose the holes for the front mounting bracket.**

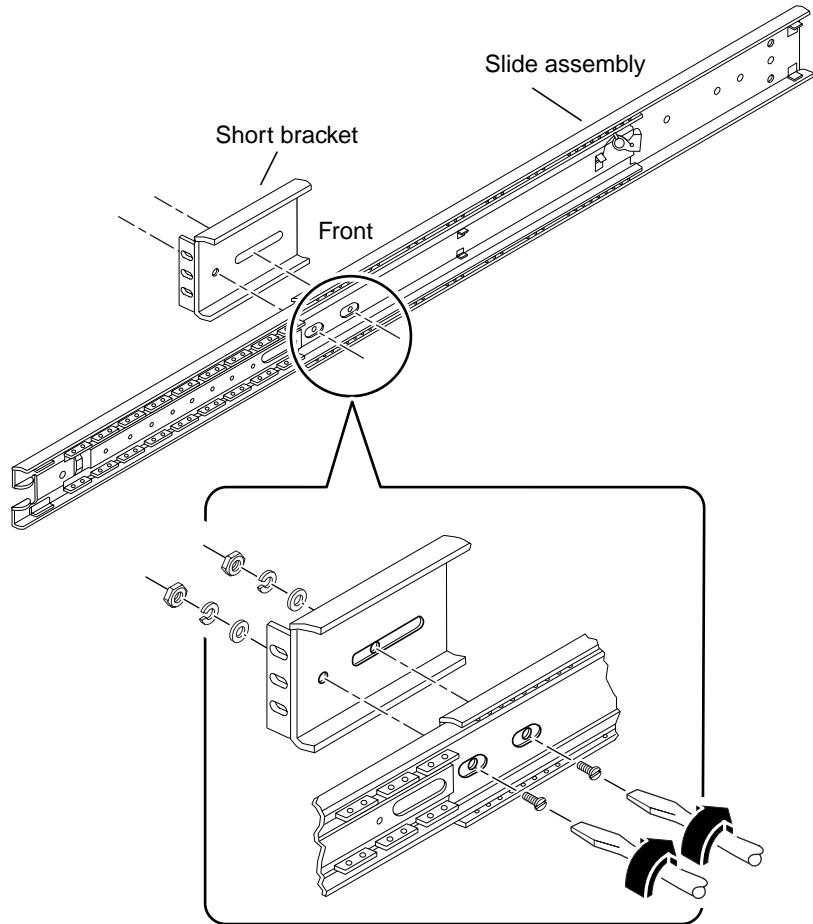
Release the coil spring catch on the inner rail to extend the slide assembly.



b. Position a short bracket over the front end of the slide assembly.

The lip of the bracket should face the front of the slide assembly, as shown.

c. Secure the short bracket to the slide assembly. Use two 8-32 panhead screws with a flat washer, a lock washer, and a nut for each screw.



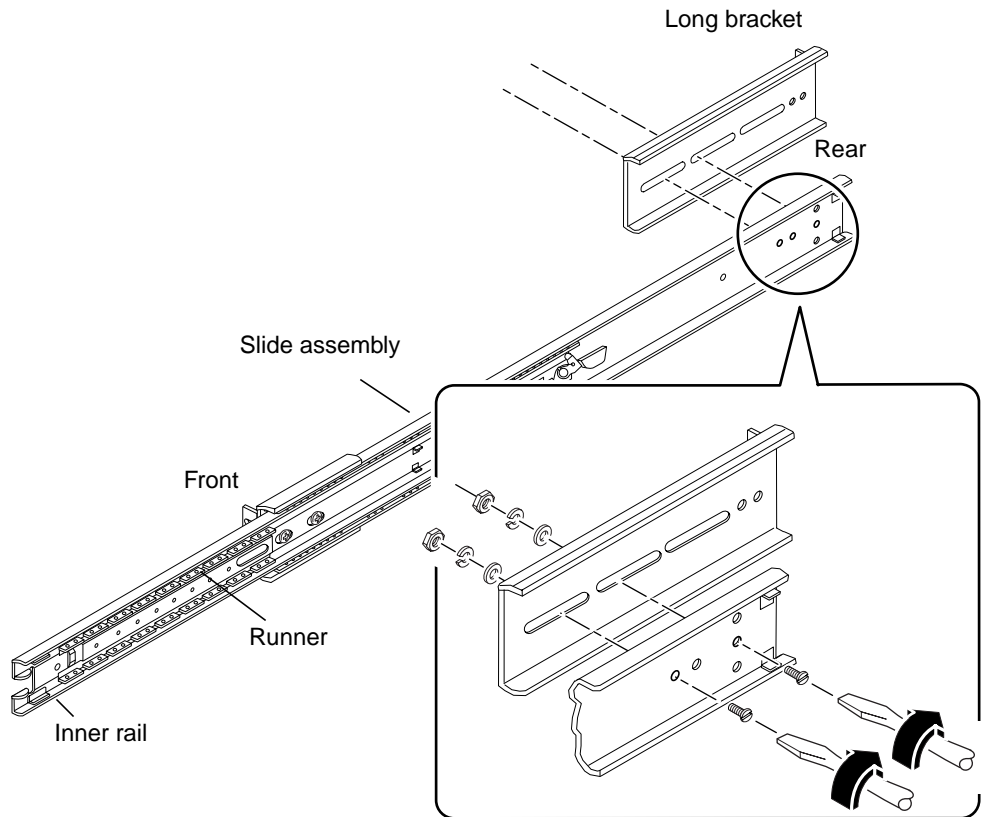
2. Attach a long mounting bracket to the rear end of each slide assembly.

a. Position the long bracket over the rear end of the slide assembly.

Align the elongated slots at the end of the long bracket over the holes on the slide assembly, as shown.

b. Secure the long bracket loosely to the slide assembly. Use two 8-32 panhead screws, flat washers, lock washers, and nuts for each long bracket.

Do not tighten the screws completely. You may need to adjust the mounting bracket when you install the slide assembly into the rack enclosure.



3. Push in the inner rail and runner on each slide assembly.

a. Push the inner rail all the way into the slide assembly. If necessary, release the coil spring catch.

b. Push in the runner until it stops.

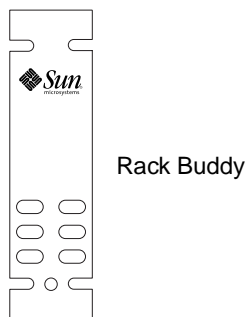
Install the Slide Assemblies Into the Rack Enclosure

1. **Locate and mark the correct positions on the rack's vertical mounting rails to install the slide assemblies.**

Allow four rack unit spaces (7.0 inches/17.78 cm) or 12 holes per server. Because the holes on a standard rack enclosure are arranged in sets of 3 holes spaced $\frac{5}{8}$ ths, $\frac{5}{8}$ ths, $\frac{4}{8}$ ths of an inch apart, determining which holes to use for attaching a slide assembly depends on exactly where you locate the system.

You can either count the holes so that each slide assembly is installed at the same height front-to-back and side-to-side in the rack, or use the Rack Buddy included with your system documentation. Mark the location on the rack enclosure with a felt tip marker or masking tape.

Install the slide assemblies into the lowest available position. If this is the first system you are installing into the rack, use holes 3 and 4 or 5. Install additional servers from the base up.

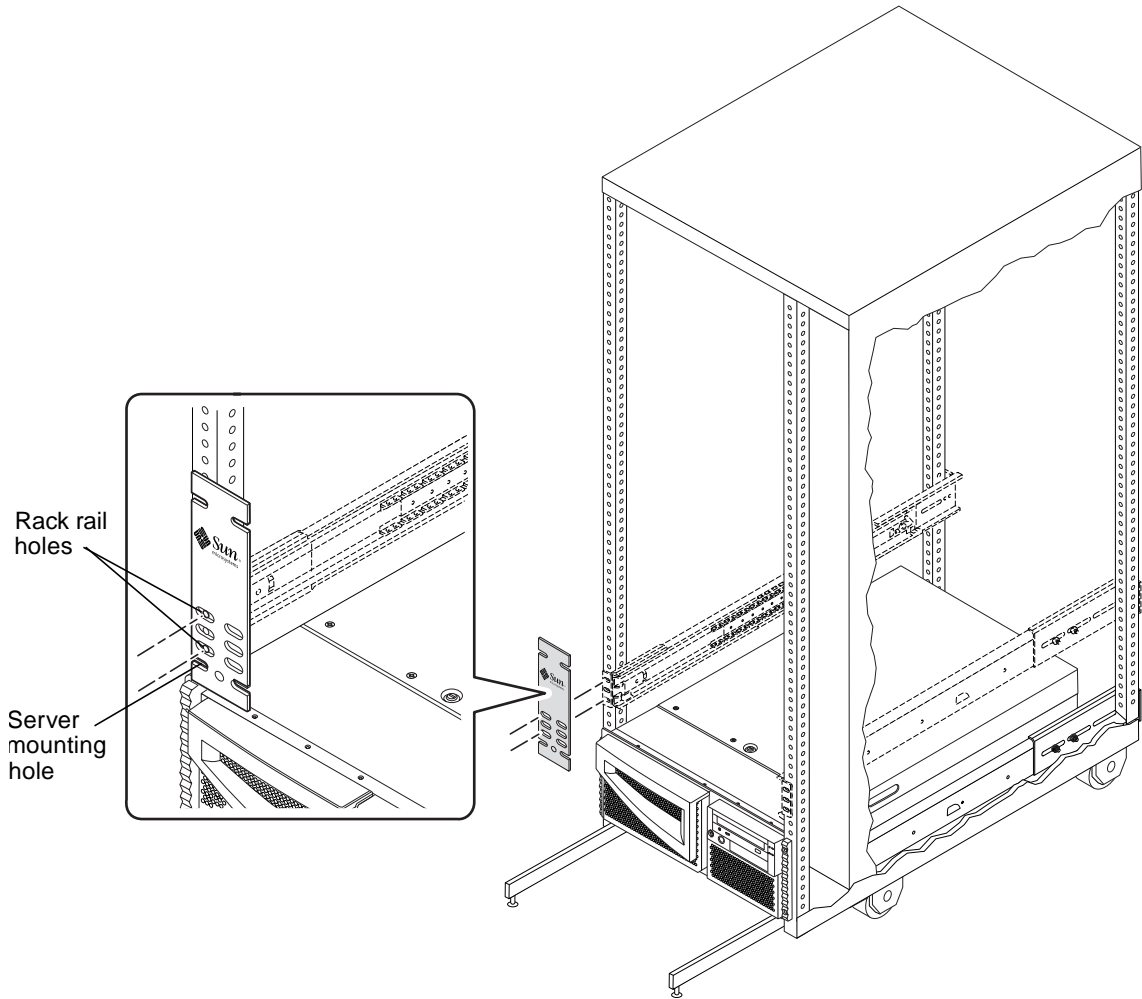


To use the Rack Buddy, complete these steps:

- a. **Place the Rack Buddy over the left front vertical rack rail. See the next figure.**
- b. **Move the bottom of the Rack Buddy to the exact location on the rack rail where the bottom of the system will be located.**
- c. **Adjust the Rack Buddy so that the bottom server screw mounting location is centered on the space in the Rack Buddy.**

d. Looking through the three holes on the Rack Buddy, locate the two rack rail holes that are most visible through the Rack Buddy and mark them.

Use these two rack rail holes to attach the slide assembly to the rack rail. You will only use two of the three holes to attach the slide assembly. The assembly bracket has three holes to allow for the differences in spacing between the rack rail holes. Mark the corresponding holes on the right front vertical rack rail.



2. Attach one slide assembly to the right rack mounting rail, and the other slide assembly to the left rack mounting rail. See the next figure.

a. With the help of an assistant, position the slide assembly on the inside of the rack enclosure with the short mounting bracket facing the front of the rack.

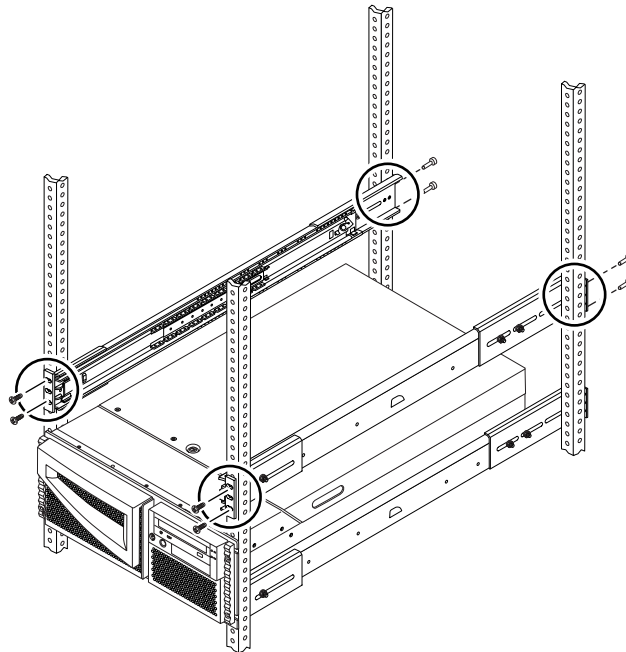
Count the holes so that each slide assembly is installed at the same height front-to-back and side-to-side in the rack or use the Rack Buddy as described in Step 1.

b. Attach the front short mounting bracket of one slide assembly to the front rail on the rack.

Secure the slide bracket assembly to the front mounting rail using two Phillips 10-32 panhead screws. Use the holes marked in Step 1. Finger-tighten the screws. Do not tighten the screws completely until all the screws are in place and the slide assemblies are level.

c. Attach the long mounting bracket of the same slide assembly to the back rail of the rack.

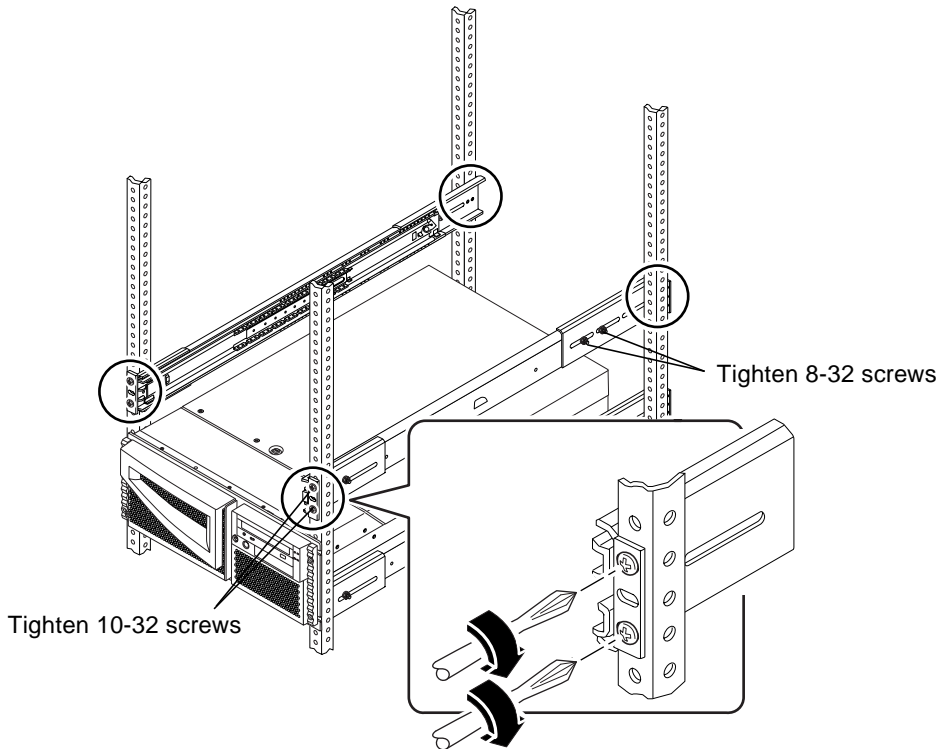
Secure the slide bracket assembly to the back mounting rail using two Phillips 10-32 panhead screws. Finger-tighten the screws. Do not tighten the screws completely until all the screws are in place and the slide assemblies are level.



Note – You may need to slide the rear mounting bracket forward or backward on the slide assembly to accommodate the depth of the rack.

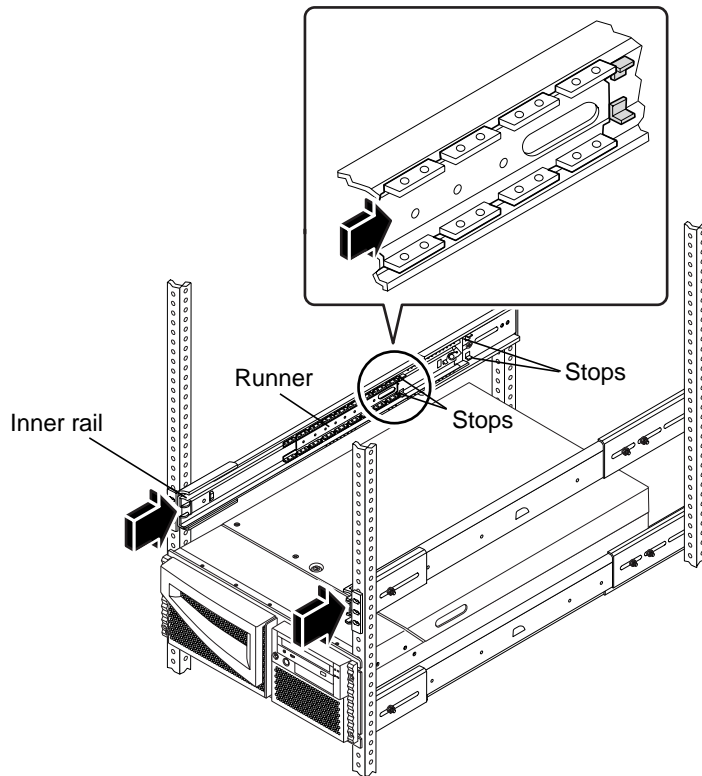
3. Completely tighten all of the rackmounting screws.

- a. Make sure that the slide assemblies are level front-to-back and left-to-right.
- b. Tighten the eight 10-32 screws that secure the short and long mounting brackets to the vertical rack rails.
- c. Tighten the four 8-32 screws that secure the long mounting brackets to the slide assemblies.



Install the Server Into the Rack Enclosure

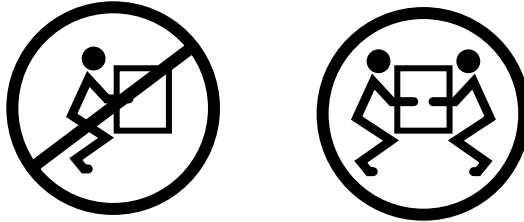
1. Verify that the runner on each slide assembly is pushed as far back as possible into the slide assembly, as shown.
 - a. Push in the inner rail on each slide assembly until it reaches the stops that are located furthest away from the front of the rack.
 - b. Push in the runner until it stops in the slide assembly.



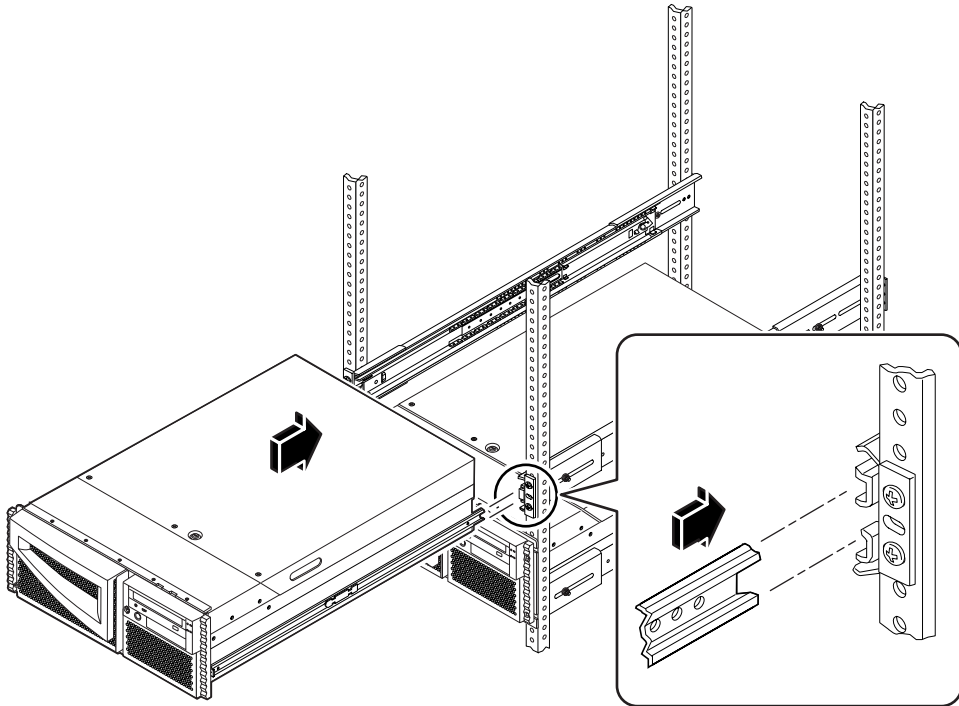
2. Lift the server (one person on each side of the server) and approach the rack enclosure with the back of the server facing the rack enclosure.



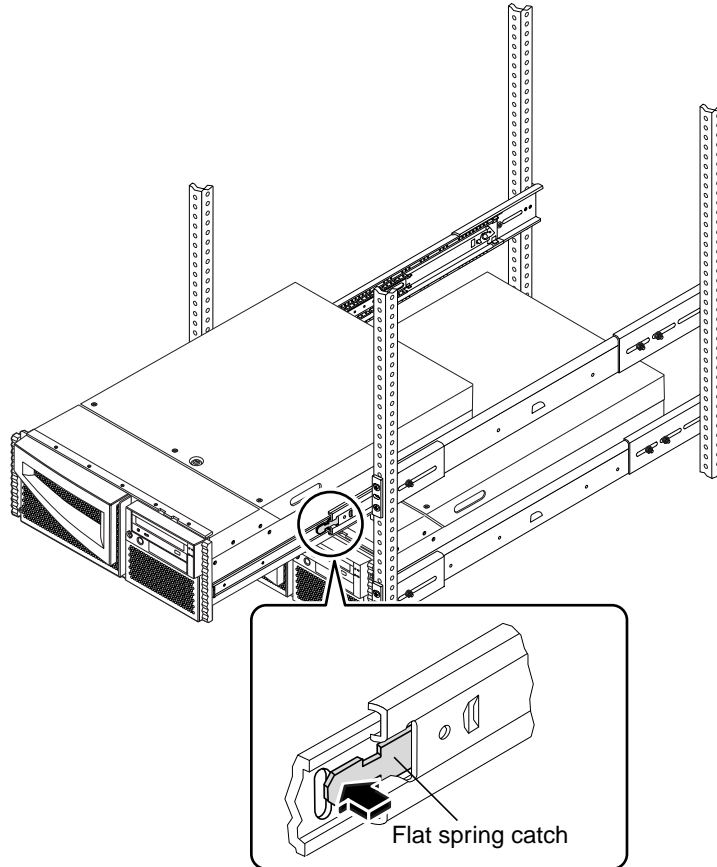
Caution – The system is heavy. Two people are required to move the system.



3. Align the crimped end of the inner glides on the server with the slide bracket assemblies in the rack enclosure.

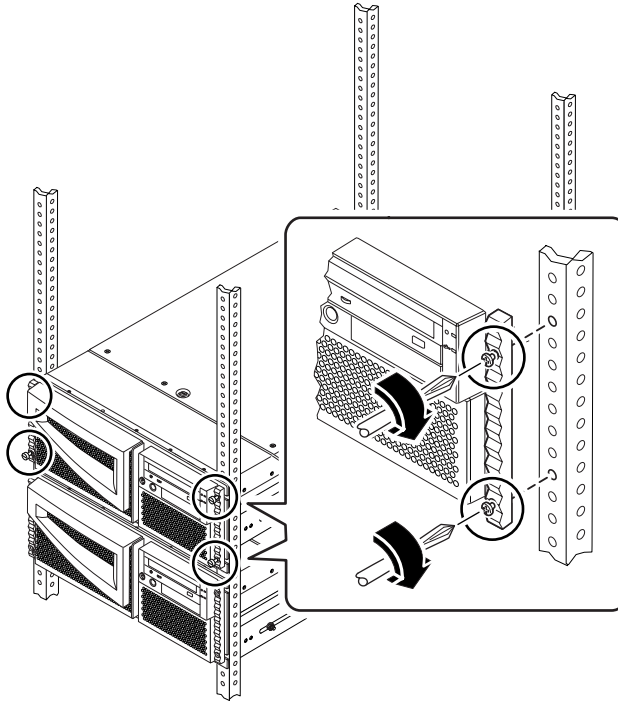


4. Slide the server evenly into the rack enclosure until the inner glides stop in the slide.
5. On each side of the chassis, push in the flat spring catch on each inner glide and push the server all the way into the rack.



6. Secure the chassis to the left and right vertical rails at the front of the rack.

Use a Phillips #2 screwdriver to tighten the four captive screws that secure the system in the rack enclosure. These screws are in recessed access holes in the decorative panels affixed to the system's front panel, as shown.



Note – If you removed the side panels from the rack enclosure, leave them off until after you complete the procedures in Chapter 3.

What Next

Go to Chapter 3 and complete the procedures for connecting the power cord and cables to the back panel, powering on the system, and installing the operating system.

System Setup

This chapter explains how to attach all the cords and cables needed to get the server up and running. Where software is involved, this chapter explains some of what you need to do, and points you to the appropriate software manuals for the rest of the information.

To finish the setup procedure, complete the following tasks in the order listed:

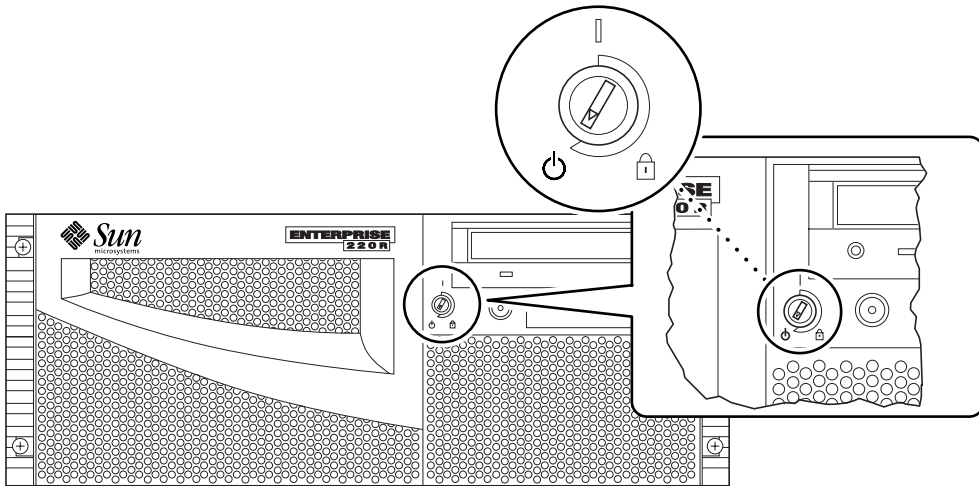
- “Connect the Power Cord” on page en-22
- “Connect the Ethernet Cable” on page en-25
- “Install Options” on page en-27
- “Install a System Console” on page en-27
- “Restore the Rack Enclosure” on page en-31
- “Power On the System” on page en-31
- “Install the Operating System” on page en-34
- “Install Online Documentation” on page en-34

If you need to power off the system, see:

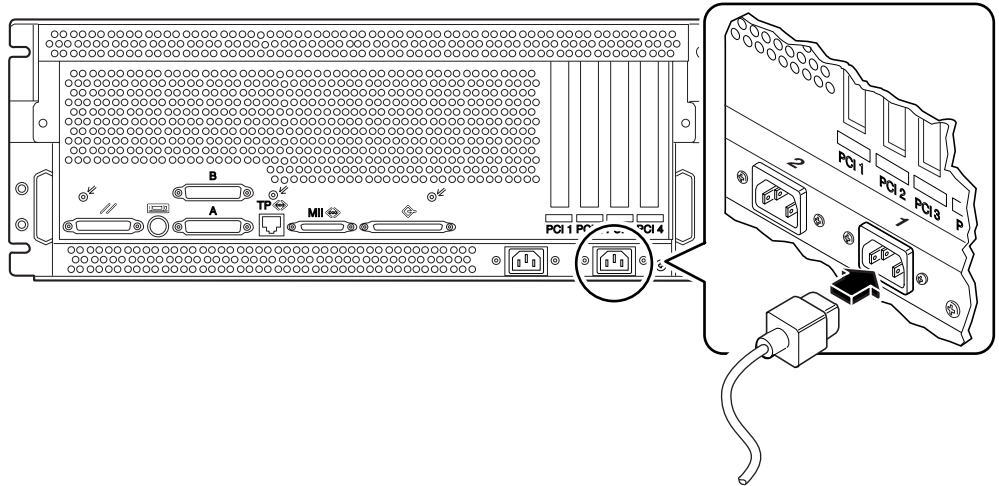
- *Sun Enterprise 220R Server Owner’s Guide*

Connect the Power Cord

1. Turn the front panel keyswitch to the Standby position.



2. Connect the AC power cord to the right power inlet labeled 1 at the back of the system.



3. Connect the other end of the AC power cord to the power sequencer in the rack enclosure or to an AC outlet.

See the instructions provided with your rack enclosure for information about the power sequencer. The outlet must connect the system to a 15A circuit in North America and Japan, and to a 10A circuit in Europe.

Note – If your server includes a second power supply, connect the second AC power cord to the left power inlet labeled 2. You may connect the second power supply to the same AC circuit as the first supply. However, for increased system redundancy, you should connect the two power supplies to separate circuits.

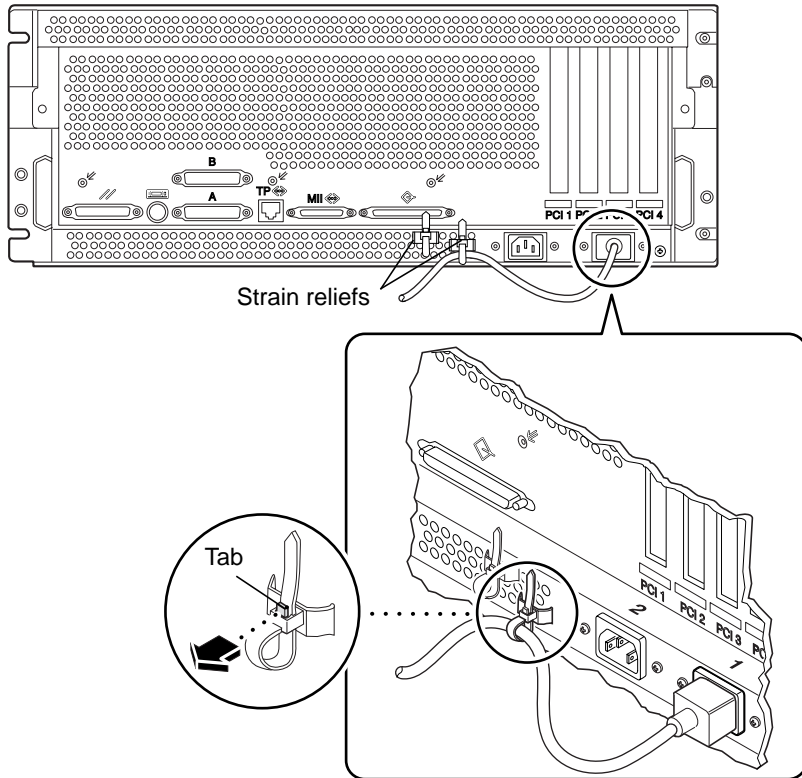
Note – This system is suitable for use with IT Power Systems.

4. Tie-wrap the power cord(s) to the strain relief(s) on the back panel.

The Sun Enterprise 220R server is shipped with two strain reliefs attached to the back panel. A strain relief is a plastic tie-wrap on a base that is inserted into the back panel of the system. Use these reliefs to manage the power cords when you slide the system in and out of the rack enclosure.

To tie-wrap a power cord, wrap the loose end of the tie-wrap around the cord and insert it into the opening on the base of the strain relief. Pull the end to tighten the tie-wrap.

To release the tie-wrap from the cord, press down the tab on the strain relief base and loosen the tie wrap.



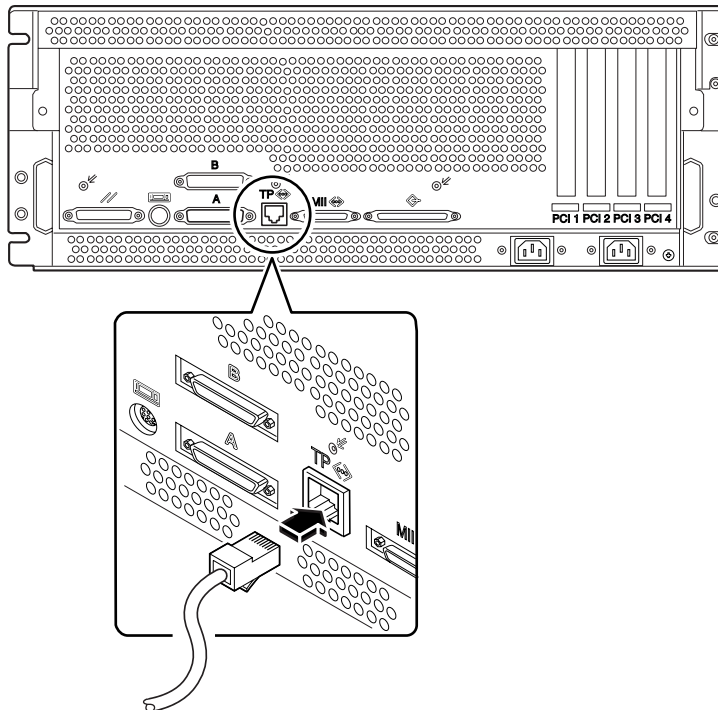
Connect the Ethernet Cable

Connect only one Ethernet cable to the standard Ethernet port on the back of your system—either a twisted-pair Ethernet (TPE) cable or a Media Independent Interface (MII) transceiver. You can make additional Ethernet connections by installing PCI Ethernet cards.

Sun Microsystems offers an MII-to-AUI transceiver as a separately orderable option. A number of third-party MII transceivers are also available for connection to TX, T4, FX, and AUI type Ethernet networks. See the *Sun Enterprise 220R Server Owner's Guide* for more information.

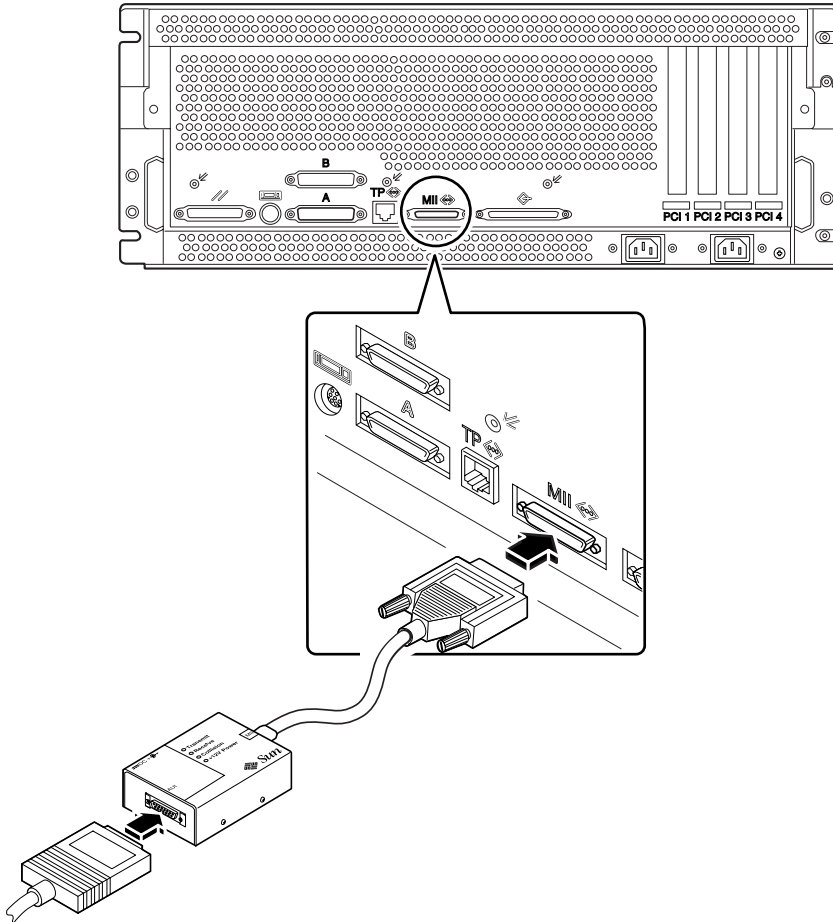
1. To connect a TPE cable:

- a. Connect the TPE cable to the RJ-45 connector on the system back panel.
- b. Connect the other end of the cable to the TPE outlet in the wall or the floor.



2. To connect an MII transceiver:

- a. Connect an MII transceiver to the MII Ethernet connector on the system back panel.**



- b. Attach the network AUI cable to the AUI connector on the MII transceiver.
Lock the AUI connector.**

Slide the latch to the right to lock the AUI cable to the MII-to-AUI transceiver. Use a flat-blade screwdriver, if necessary.

- c. Connect the other end of the MII transceiver to the appropriate network cable.**

Install Options

Many of the options ordered with your system may have been pre-installed at the factory. For information about how to install other options, see the *Sun Enterprise 220R Server Service Manual* or contact your qualified Sun service provider. For information about installing an additional internal disk drive, see the *Sun Enterprise 220R Server Owner's Guide*.

Install a System Console

To install the server software, or to diagnose a problem, you need some way to enter system commands and view system output. You can do one of the following:

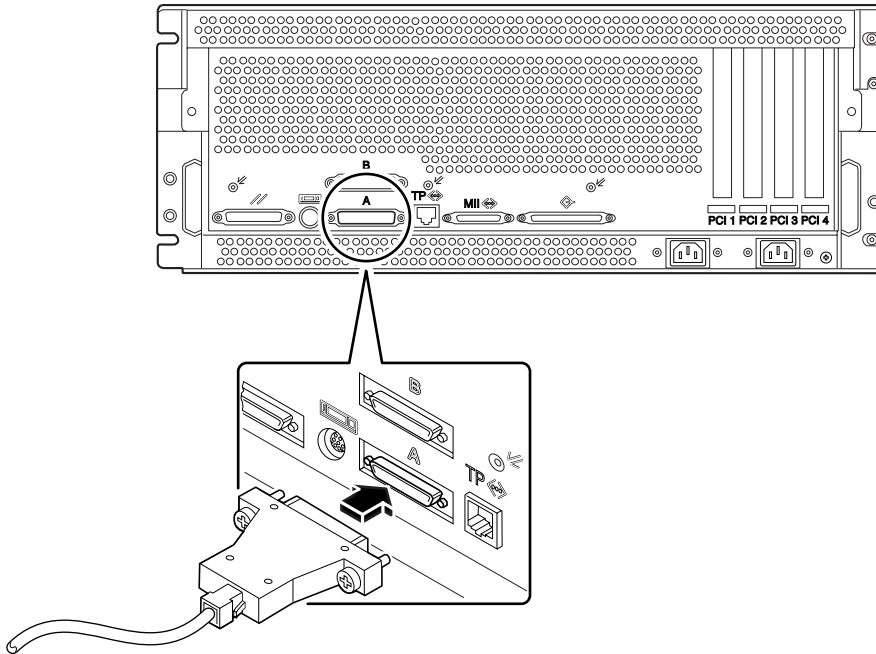
- Establish a `tip` connection from another Sun system.
- Connect an ASCII terminal to serial port A.
- Install a graphics card, monitor, and keyboard on your server. These components are not shipped with the server.

How to Set Up a `tip` Connection

For information about establishing a `tip` connection, see the *Sun Enterprise 220R Server Owner's Guide*.

How to Connect an ASCII Terminal

1. Connect the terminal's data cable to serial port A on the server's back panel.



2. Connect the terminal's power cord to a grounded AC power outlet.
3. Set the terminal to receive:
 - At 9600 baud
 - An 8-bit signal with no parity and 1 stop bit

How to Install a Graphics Console

To install a local graphics console you need a PCI-based graphics card, a monitor, and a Sun-compatible keyboard, mouse, and mousepad. These components are not shipped with your system. See the *Sun Enterprise 220R Server Owner's Guide* for more information.

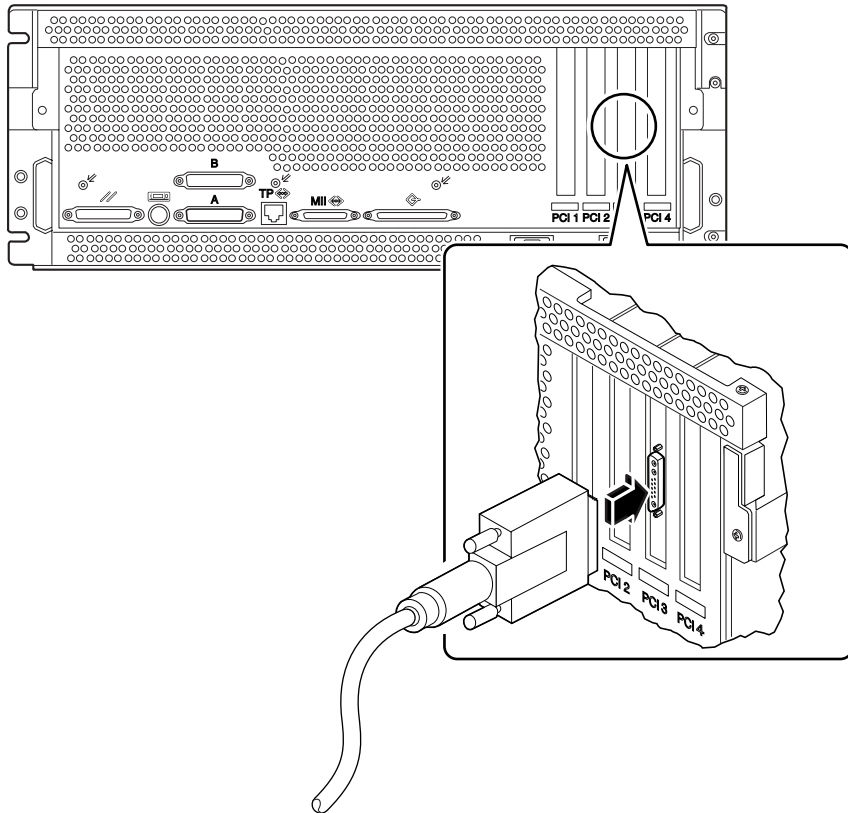
1. Install the graphics card into a vacant PCI slot.

See the *Sun Enterprise 220R Server Service Manual* or contact your qualified Sun service provider.

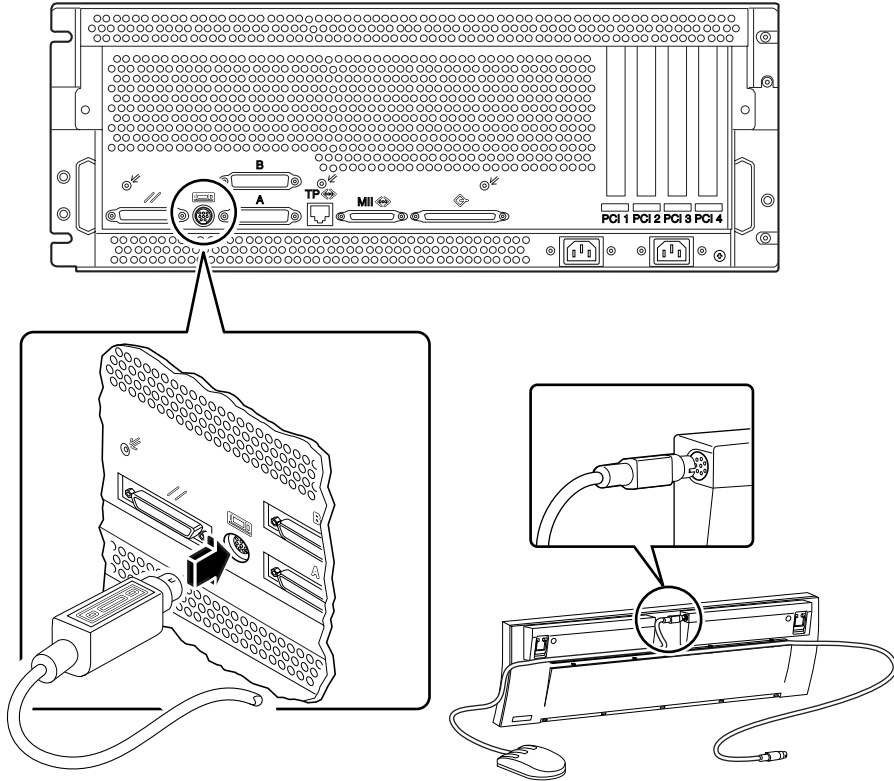
2. Attach the monitor's video cable to the graphics card's video port.

Tighten the thumbscrews to secure the connection.

3. Connect the monitor's power cord to a grounded AC power outlet.



4. Connect the mouse to the keyboard.
5. Connect the keyboard to the system.



Restore the Rack Enclosure

See the instructions provided with the rack enclosure to complete these steps.

1. **Route and manage the cables within the rack cabinet.**
2. **Retract the enclosure's anti-tip legs, if applicable.**
3. **Replace the side panels, if applicable.**
4. **Replace the front and back doors, if applicable.**

Power On the System



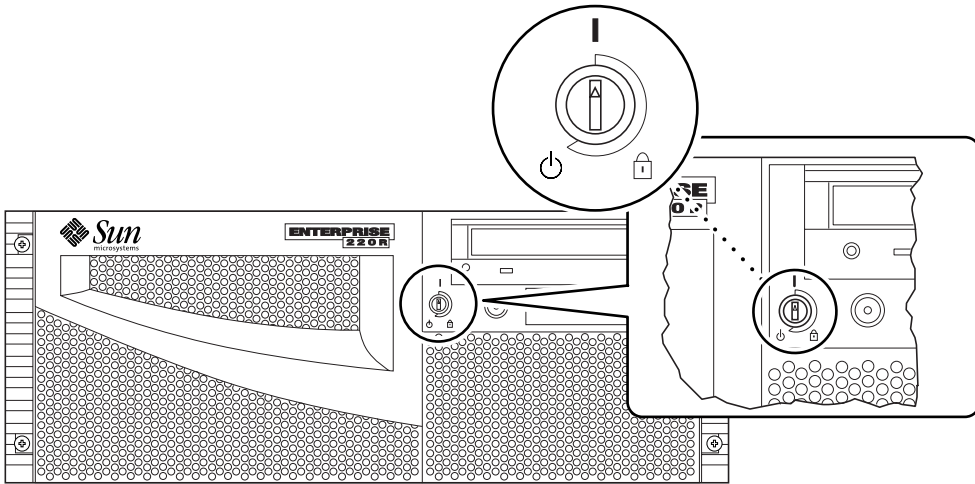
Caution – Never move the system when the system power is on. Movement can cause catastrophic disk drive failure. Always power off the system before moving it.



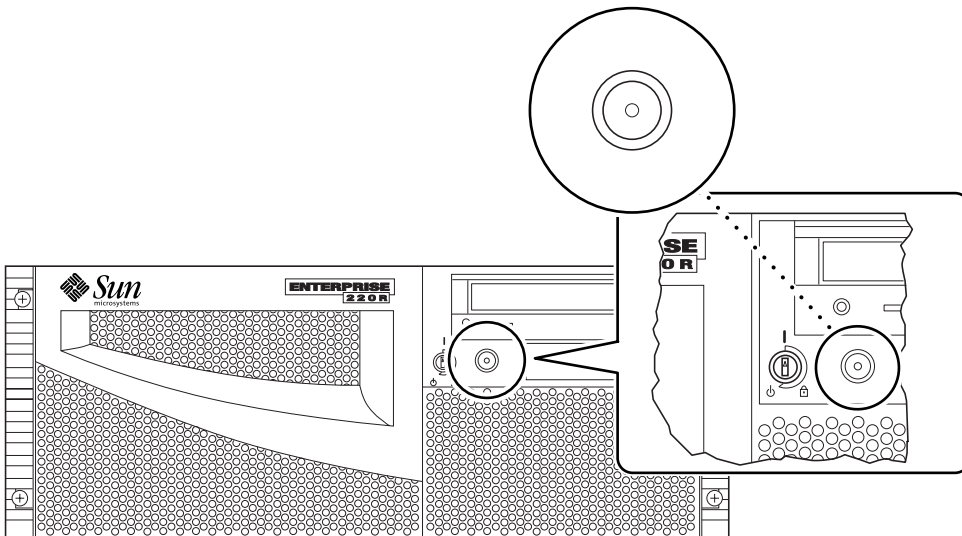
Caution – Before you power on the system, make sure that the cover is properly installed.

1. **Turn on power to any peripheral and external storage devices.**
2. **Turn on power to the monitor or terminal, if applicable.**

3. Turn the front panel keyswitch to the Power-On/Off position.



4. Press the front panel Power button once.

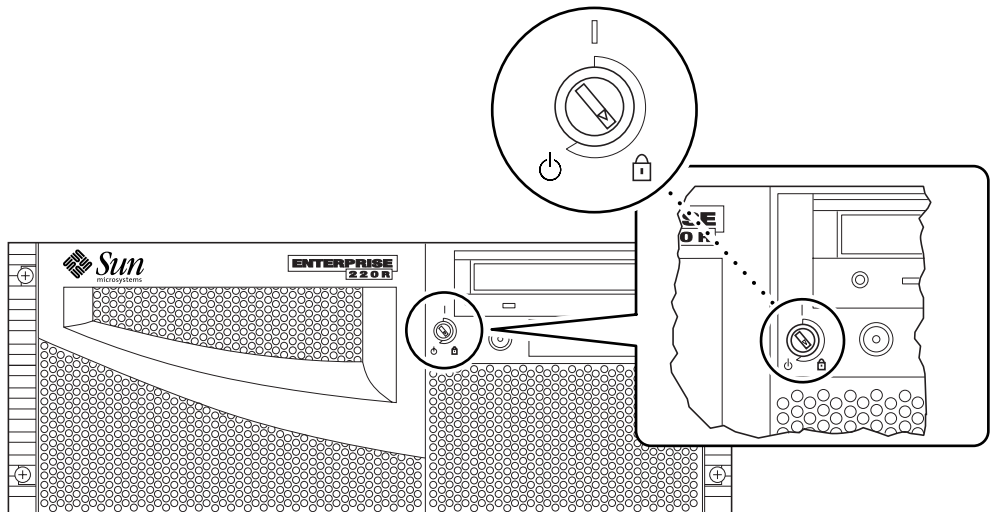


Note – The system may take anywhere from 30 seconds to two minutes before video is displayed on the system monitor or the OK prompt appears on an attached terminal. This time depends on the level of power-on self-test (POST) diagnostics being performed.

Note – If you need to power off the system, see the *Sun Enterprise 220R Server Owner's Guide* for more information.

5. Turn the keyswitch to the Locked position.

The Locked position prevents accidentally powering-off the system.



Install the Operating System

If you are installing the Solaris 7 or later operating environment, refer to the documentation accompanying your Solaris™ software and see the *Sun Enterprise 220R Server Owner's Guide* for installation information.

If you are installing the Solaris 2.6 Hardware 5/98 operating environment, you must use the *Operating Environment Installation CD* included with your system. During the installation process, this CD installs certain software upgrade patches that support Solaris releases running at the 450 MHz CPU speed.

This CD does not provide the content of the Solaris releases. You need to have the Solaris media kit for the Solaris 2.6 Hardware 5/98 operating environment in order to install the Solaris software itself. At the appropriate point in the installation process, the *Operating Environment Installation CD* prompts you to install the Solaris software.

This CD is not required if you are using the Solaris 7 or later operating environment.

For installation instructions, see the document included with *Operating Environment Installation CD*.

Install Online Documentation

The documentation kit contains a CD-ROM disc with online documentation that describes how to use, service, and maintain your system. Refer to the documents supplied with the CD-ROM disc for installation instructions.

Rack Enclosure Requirements

The server is designed so that you can install it into a Sun 72-inch (184-cm) tall Sun expansion cabinet or other EIA-compliant industry-standard rack enclosure that meets the requirements listed in the table below. You need a Sun rackmounting kit for each server that you will rackmount.

Rack Enclosure Feature	Requirement
Load Bearing Capacity	The rack must firmly support the weight of a Sun Enterprise 220R server (75 lbs, 34 kg), plus the weight of the rackmounting hardware, plus the weight of any other installed devices.
Vertical Space Requirements	Each server requires four rack units (7 inches, 17.78 cm) of vertical space for rack installation. A 72-inch (183-cm) cabinet can hold up to nine servers.
Airflow	<p>The system requires 113 cfm at 40° C and 10,000 feet. This air-flow rate corresponds to 328 lb/hr at any altitude and to 78 cfm at 40° C and sea level.</p> <p>For proper ventilation, each system in the rack enclosure requires 28 square inches (181 square cm) of unrestricted airflow into the front of the system, and 23 square inches (148 square cm) of unrestricted exhaust port at the back of the system. Maintain a minimum 1.5 inches (3.8 cm) clearance between the system and any front or back doors.</p>

Rack Enclosure Feature	Requirement
Vertical Mounting Rail Requirements	<p>The rack must have two pairs of vertical mounting rails (one pair in front, one in back) that conform to the EIA (RETMA) standard for mounting hole spacing.</p> <p>Left-side-to-right-side rail spacing (mounting hole center to mounting hole center) for front and rear rails must be 18.3 inches (46.5 cm).</p> <p>Front-to-rear rail spacing must be at least 26.875 inches (68.26 cm) and not more than 34.875 inches (88.5 cm) from the outside face of the front rail to the outside face of the rear rail.</p> <p>Front and rear vertical rail mounting faces must be parallel to each other and to the front plane of the rack.</p>
Doors and Panels	<p>If you are using a Sun expansion cabinet, you can remove the front door and the side panels to increase access to the system. Otherwise, see the instructions provided with the rack enclosure.</p>
EMI Requirements	<p>Electromagnetic interference (EMI) shielding requirements are met by the system chassis and metal side panels, which remain in place when the unit is rack mounted.</p>
Anti-Tilt Protection	<p>The rack must be bolted securely to the floor or equipped with a sturdy and extendable anti-tip leg. You must prevent the cabinet from tilting forward when one or more systems or devices are fully extended out the front of the rack.</p>
Minimum Service Access	<p>An area not less than 3 feet (1 meter) deep and 6 feet (2 meters) wide must be available in front of the rack for installation and service access.</p> <p>When fully extended on its mounting rail slides, the system will protrude 29.75 inches (75.6 cm) forward of the rack's front vertical mounting rails.</p>
Fire Containment	<p>The rack enclosure must meet Underwriters Laboratories, Inc. and TUV Rheinland of N.A. requirements for fire containment.</p>

Guide d'installation et de montage en armoire

Ce guide explique comment installer le serveur de groupe de travail Sun Enterprise™ 220R dans une armoire d'extension Sun ou toute autre armoire conforme EIA.

Ce guide examine les tâches et les sujets d'information suivants :

- Mise en route — page fr-2 :
 - Déballage du système — page fr-2 ;
 - Vérification du contenu du kit — page fr-3 ;
- Installation en armoire — page fr-7 :
 - Outils requis — page fr-7 ;
 - Mesures de sécurité — page fr-8 ;
 - Préparation de l'armoire — page fr-9
 - Fixation des supports aux groupes coulissants — page fr-10 ;
 - Installation des groupes coulissants dans l'armoire — page fr-13 ;
 - Installation du serveur dans l'armoire — page fr-17 ;
- Installation du système — page fr-21 :
 - Branchement du cordon d'alimentation — page fr-22 ;
 - Connexion du câble Ethernet — page fr-25;
 - Installation des options — page fr-27 ;
 - Installation d'une console système — page fr-27 ;
 - Remise en place de l'armoire — page fr-31 ;
 - Mise sous tension du système — page fr-31 ;
 - Installation du système d'exploitation — page fr-34 ;
 - Installation de la documentation en ligne — page fr-34 ;
- Caractéristiques de l'armoire — page fr-35.

Mise en route

Pour installer un serveur Sun Enterprise, effectuez les tâches suivantes dans l'ordre indiqué :

- Déballez le système et vérifiez le contenu du kit. Voir Chapitre 1.
- Montez le serveur dans l'armoire. Voir Chapitre 2.
- Configurez le serveur, mettez-le sous tension et installez le système d'exploitation. Voir Chapitre 3.

Déballage du système

Votre système sort de l'usine avec la plupart des options internes requises installées. Les périphériques qui ne sont pas installés en usine sont livrés séparément. Les instructions de déballage figurent à l'extérieur du carton d'emballage.

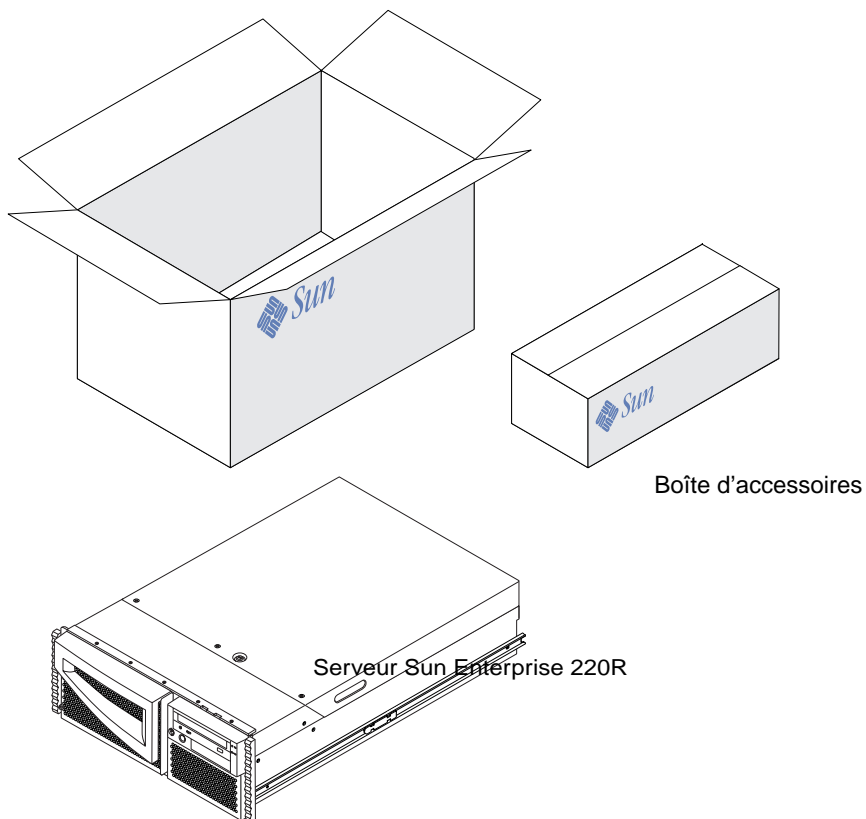
Inspectez toutes les boîtes d'emballage afin de déceler tout signe de dommage physique. Si une boîte d'emballage est abîmée, demandez à ce que l'agent du transporteur soit présent lors de l'ouverture de cette boîte. Conservez l'ensemble du contenu et du matériel d'emballage pour l'inspection de l'agent.

Contrôlez que vous avez bien reçu toutes les pièces commandées. Contactez Sun Microsystems ou votre distributeur/revendeur s'il manque quelque chose.

Vérification du contenu du kit

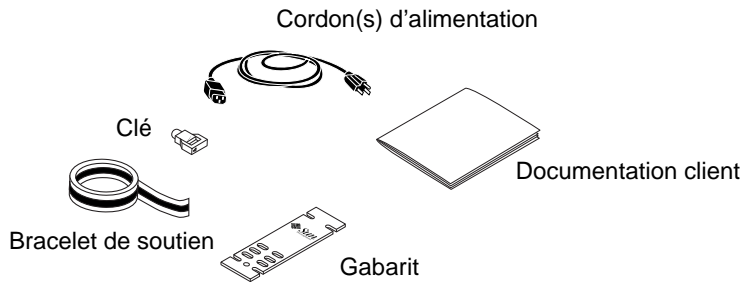
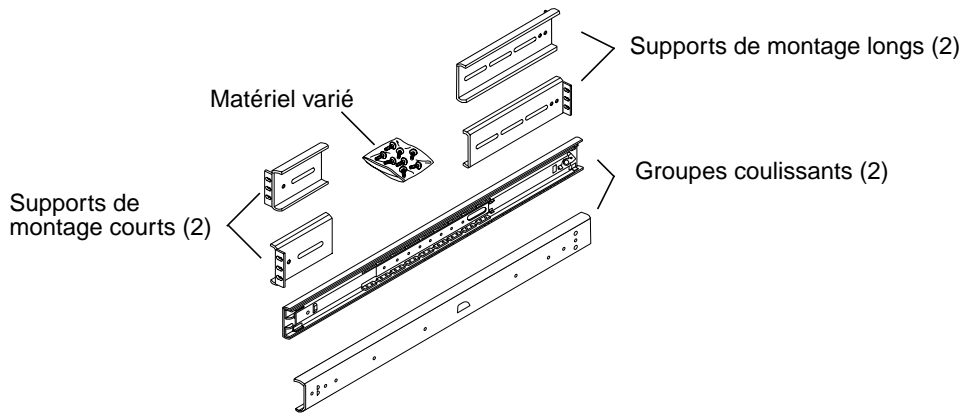
Le carton d'emballage contient les pièces suivantes :

- Serveur de groupe de travail Sun Enterprise 220R ;
- Boîte d'accessoires.

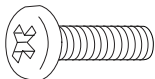


Contenu de la boîte d'accessoires

La boîte d'accessoires contient les pièces suivantes :



La boîte d'accessoires contient également un sachet plastique de menu matériel : vis, écrous et rondelles (illustration grandeur nature). Vous aurez besoin de ce matériel pour installer les supports de montage en armoire et les groupes coulissants.



10-32 x 3/4
vis (8)



8-32 x 3/8
vis (8)



rondelle
plate (8)



rondelle
de blocage (8)



écrou (8)

Remarque – Des écrous à barre sont requis (mais ne sont pas fournis) pour les armoires non-tarudées. Pour plus d'informations, consultez les instructions de votre armoire. Les écrous à barre ne sont pas utilisés dans les armoires Sun.

Installation en armoire

Ce chapitre fournit des instructions détaillées pour le montage en armoire du serveur dans une armoire d'extension Sun ou toute autre armoire conforme EIA.

Pour installer un serveur Sun Enterprise 220R dans une armoire, complétez les tâches suivantes dans l'ordre indiqué :

- “Préparation de l'armoire”, page fr-9 ;
- “Fixation des supports aux groupes coulissants”, page fr-10 ;
- “Installation des groupes coulissants dans l'armoire”, page fr-13 ;
- “Installation du serveur dans l'armoire”, page fr-17.

La *Vue d'ensemble du montage en armoire - Sun Enterprise 220R Server* qui figure dans la documentation illustre les étapes du montage en armoire sous une forme graphique très pratique. Ce chapitre fournit des informations détaillées sur les différentes étapes.

Outils requis

- Tournevis cruciforme n°2 ;
- Tournevis à lame plate ;
- Jeu de clés Allen pour retirer les panneaux latéraux de certaines armoires ;
- Une clé à molette pour serrer les écrous sur les supports de montage.

Avant de commencer

- Déballez le système et vérifiez le contenu de l'emballage. Reportez-vous au chapitre 1 pour les instructions.
- Déballez la boîte des accessoires et placez les groupes coulissants, les supports de montage et le reste du matériel sur une surface libre.
- Vérifiez que vous disposez bien de tous les composants et de l'ensemble du matériel illustrés dans "Contenu de la boîte d'accessoires", page fr-4.
- Examinez les caractéristiques que doit présenter l'armoire dans l'Annexe A de ce guide.
- Lisez les mesures de sécurité qui suivent.

Mesures de sécurité

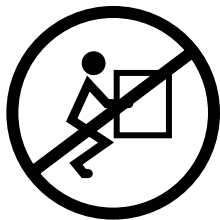
Pour une description complète des mesures de sécurité à suivre lors de l'installation d'un serveur Sun Enterprise 220R, reportez-vous au *Guide du propriétaire du serveur Sun Enterprise 220R*.



Attention – Installez le système aussi bas que possible dans l'armoire. Pour une meilleure stabilité, n'installez pas le système au-dessus d'équipements moins lourds que le système lui-même.



Attention – Le système est lourd. Dans les procédures suivantes, deux personnes sont nécessaires pour le déplacer. Deux personnes sont également nécessaires pour aligner et installer les groupes coulissants dans l'armoire.





Attention – Pour une ventilation adéquate, il faut ménager pour chaque système contenu dans l'armoire un espace de 181 cm² (28 pouces carrés) pour l'entrée de l'air à l'avant du système et un espace de 148 cm² (23 pouces carrés) pour la sortie de l'air à l'arrière du système. Laissez un espace de 3,8 cm minimum (1,5 pouces) entre le système et toute porte avant ou arrière. Pour plus d'informations, reportez-vous à l'Annexe A.

Préparation de l'armoire

1. Ouvrez et retirez (le cas échéant) les portes avant et arrière de l'armoire.

Consultez les instructions fournies avec votre armoire.

2. Stabilisez l'armoire en réglant ses pieds antibasculement ou en la boulonnant solidement au sol.

Consultez les instructions fournies avec votre armoire.

3. Retirez, le cas échéant, les panneaux latéraux de l'armoire.

Consultez les instructions fournies avec votre armoire. Retirer les panneaux latéraux peut faciliter l'accès aux écrous et vis qui sont installés lors de la fixation du système dans l'armoire.

Fixation des supports aux groupes coulissants

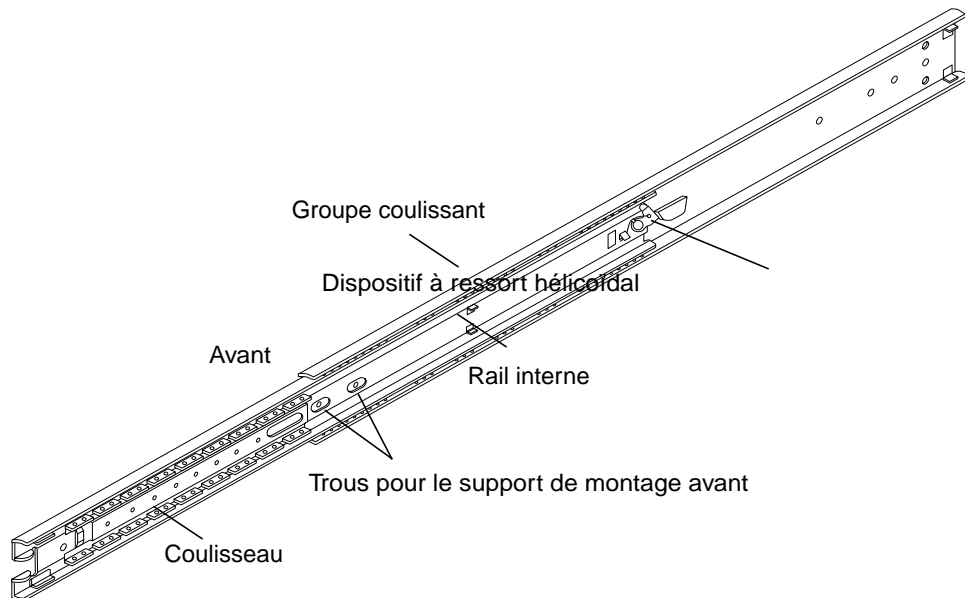
Fixez deux supports de montage, un court et un long, à l'extérieur de chaque groupe coulissant.

Répétez ces opérations pour chaque groupe coulissant.

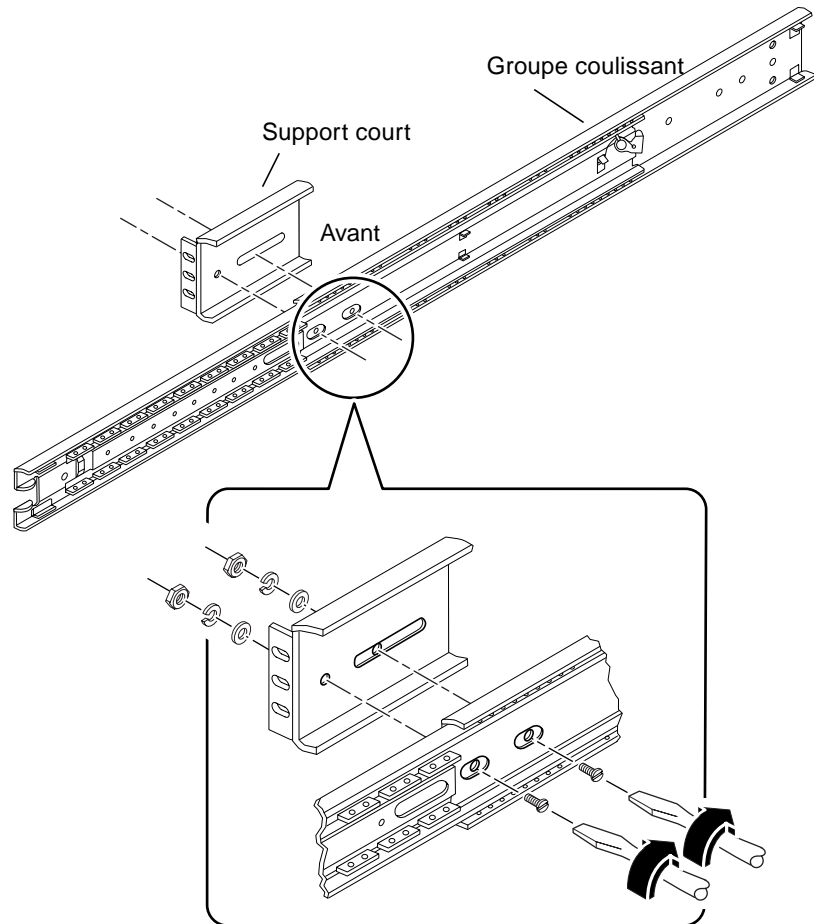
1. Fixez un support de montage court à l'avant de chaque groupe coulissant.

a. Étendez le groupe coulissant pour dégager les trous pour le support de montage avant.

Relâchez le dispositif à ressort hélicoïdal placé sur le rail interne pour étirer le groupe coulissant.



- b. Placez un support de montage court sur l'extrémité avant du groupe coulissant.**
Le rebord du support devrait se trouver face au devant du groupe coulissant, comme indiqué.
- c. Fixez le support court au groupe coulissant. Utilisez deux vis à tête ronde 8-32 avec une rondelle plate, une rondelle de blocage et un écrou pour chaque vis.**



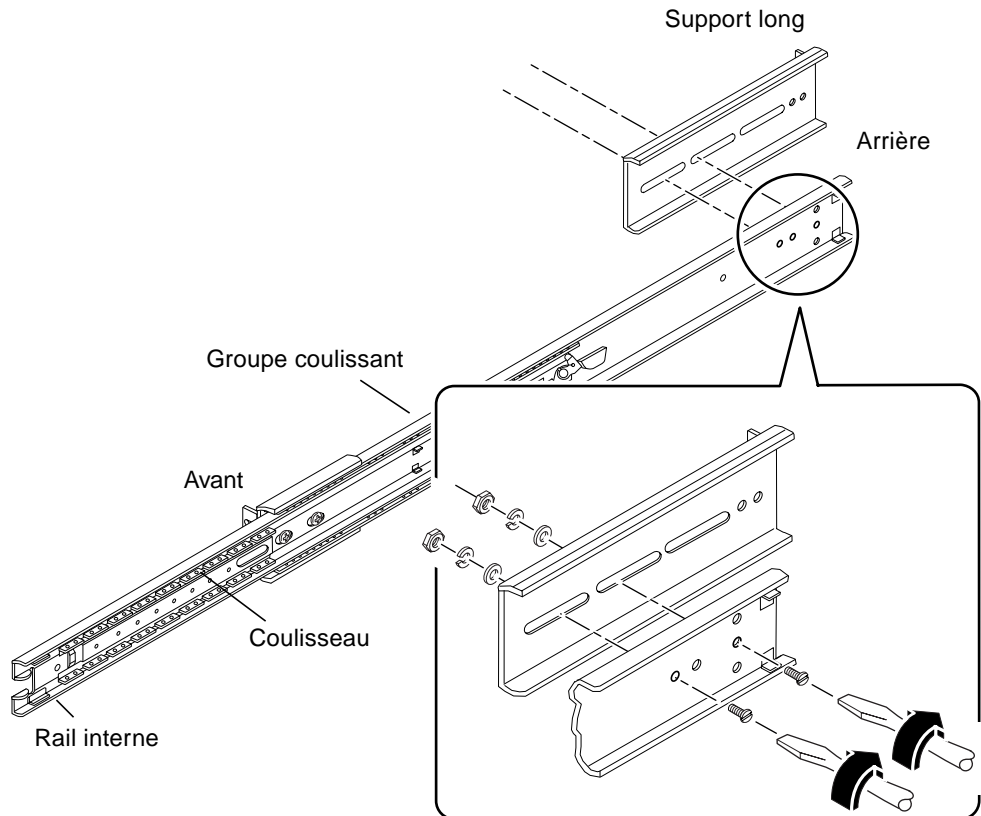
2. Fixez un support de montage long à l'extrémité arrière de chaque groupe coulissant.

a. Placez le support long sur l'extrémité arrière du groupe coulissant.

Faites correspondre les orifices allongés qui se trouvent à l'extrémité du support long avec les trous du groupe coulissant, comme indiqué.

b. Fixez sans serrer le support long au groupe coulissant. Utilisez deux vis à tête ronde 8-32, rondelles plates, rondelles de blocage et écrous, pour chaque support long.

Ne serrez pas les vis à fond. Il est possible que vous deviez ajuster le support de montage lors de l'installation du groupe coulissant dans l'armoire.



3. Faites rentrer le rail interne et le coulisseau sur chaque groupe coulissant.

a. Faites rentrer complètement le rail interne dans le groupe coulissant. Si nécessaire, relâchez le dispositif à ressort hélicoïdal.

b. Faites rentrer le coulisseau jusqu'à ce qu'il s'arrête.

Installation des groupes coulissants dans l'armoire

1. Repérez et marquez les positions exactes sur les rails de montage verticaux de l'armoire pour l'installation des groupes coulissants.

Vous avez besoin de quatre espaces de une unité rack (4U, soit 17,78 cm ou 7,0 pouces) ou 12 trous par serveur. Etant donné que sur les armoires standards, les trous sont regroupés par trois et espacés de 5/8e, 5/8e, 4/8e de pouce, la détermination des trous à utiliser pour la fixation d'un groupe coulissant dépend de la position exacte choisie pour le système.

Vous pouvez soit compter les trous de sorte que les groupes coulissants soient installés à la même hauteur dans l'armoire, soit utiliser le gabarit inclus dans la documentation de votre système. Marquez l'emplacement dans l'armoire avec un feutre ou du ruban adhésif.

Installez les groupes coulissants à la plus basse des positions disponibles. S'il s'agit du premier système que vous installez dans l'armoire, utilisez les trous 3 et 4 ou 5. Installez les autres serveurs en commençant par le bas.

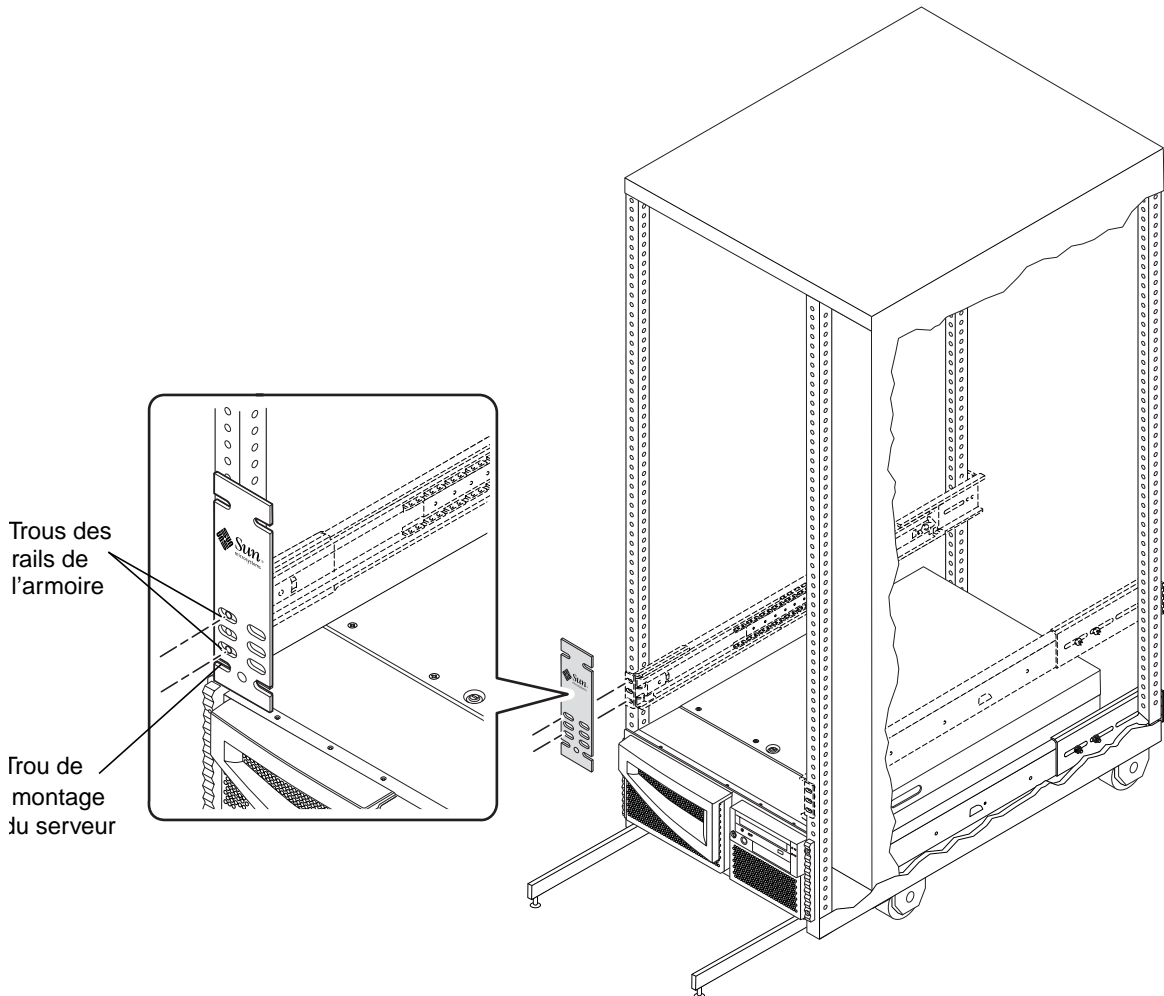


Pour utiliser le gabarit, procédez comme suit :

- a. Placez le gabarit sur le rail vertical avant gauche de l'armoire.
Consultez la figure ci-après.
- b. Placez le bas du gabarit sur l'emplacement exact du rail de l'armoire où se trouvera le bas du système.
- c. Ajustez le gabarit de sorte que l'emplacement de montage de la vis inférieure du serveur se trouve au centre du trou pratiqué dans le gabarit.

d. En regardant à travers les trois trous du gabarit, repérez les deux trous du rail de l'armoire les plus visibles et marquez-les.

Utilisez ces deux trous pour fixer le groupe coulissant au rail de l'armoire. Vous n'utiliserez que deux des trois trous pour fixer le groupe coulissant. Le support de montage est doté de trois trous afin de pouvoir s'adapter aux différences d'espacement entre les trous des rails de l'armoire. Marquez les trous correspondants sur le rail vertical avant droit de l'armoire.



2. Fixez un groupe coulissant au rail de montage droit de l'armoire et l'autre groupe coulissant au rail de montage gauche. Consultez la figure ci-après.

a. En vous faisant aider d'une autre personne, placez le groupe coulissant à l'intérieur de l'armoire avec le support de montage court face à l'avant de l'armoire.

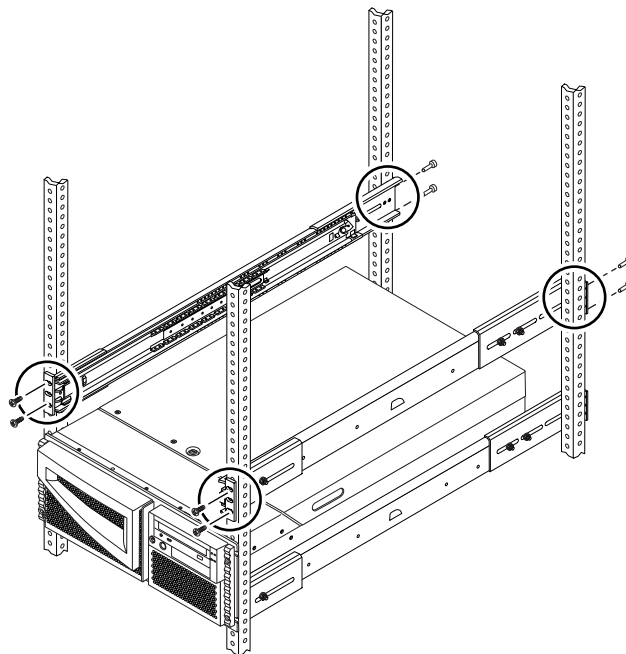
Comptez les trous de sorte que les deux groupes coulissants soient installés à la même hauteur (par rapport à l'avant et l'arrière de l'armoire et par rapport à ses côtés) dans l'armoire ou utilisez le gabarit comme décrit à l'Étape 1.

b. Fixez le support de montage court avant de l'un des groupes coulissants au rail avant de l'armoire.

Fixez le groupe coulissant au rail de montage avant en utilisant deux vis à tête ronde 10-32 cruciformes. Utilisez les trous que vous avez marqués à l'Étape 1. Serrez les vis manuellement. Ne serrez pas les vis complètement avant de les avoir toutes installées et d'avoir vérifié que les groupes coulissants sont de niveau.

c. Fixez le support de montage long du groupe coulissant au rail arrière de l'armoire.

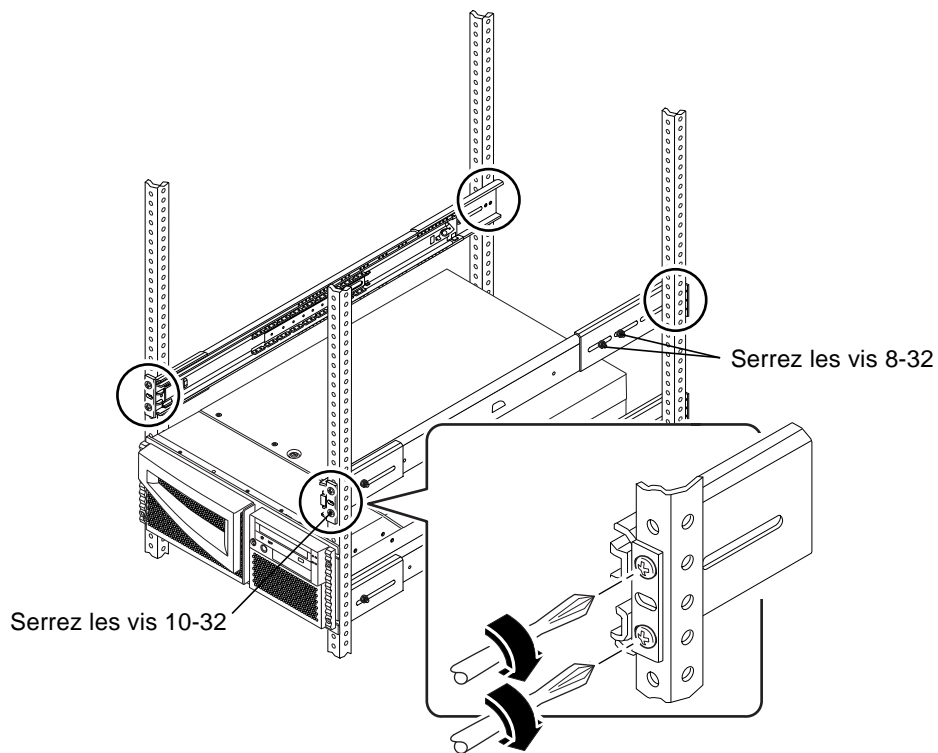
Fixez le groupe coulissant au rail de montage arrière en utilisant deux vis à tête ronde cruciformes 10-32. Serrez les vis manuellement. Ne serrez pas les vis complètement avant de les avoir toutes installées et d'avoir vérifié que les groupes coulissants sont de niveau.



Remarque – Selon la profondeur de l'armoire, il se peut que vous deviez faire coulisser le support de montage arrière vers l'avant ou l'arrière sur le groupe coulissant.

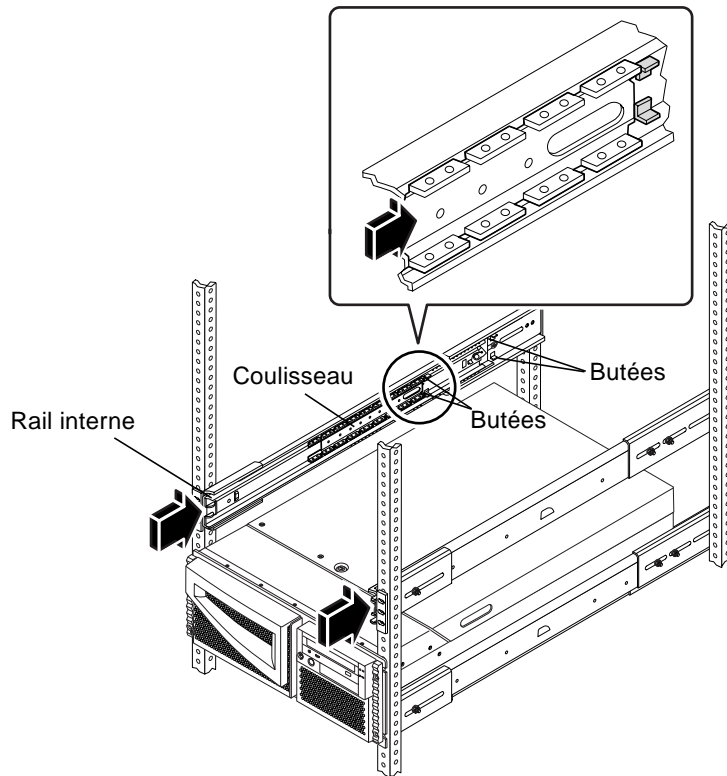
3. Serrez à fond toutes les vis utilisées pour le montage.

- a. Assurez-vous que les groupes coulissants sont de niveau (d'avant en arrière et de gauche à droite).
- b. Serrez les huit vis 10-32 qui fixent les supports de montage courts et longs aux rails verticaux de l'armoire.
- c. Serrez les quatre vis 8-32 qui fixent les supports de montage longs aux groupes coulissants.



Installation du serveur dans l'armoire

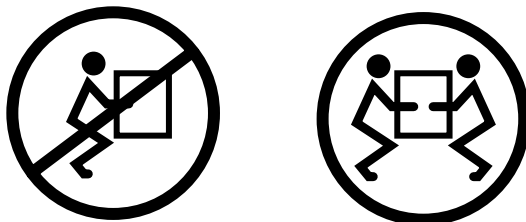
1. Vérifiez que le coulisseau de chaque groupe coulissant est bien repoussé aussi loin que possible dans le groupe coulissant, comme indiqué.
 - a. Enfoncez le rail interne de chaque groupe coulissant jusqu'à ce qu'il atteigne les butées les plus éloignées par rapport à l'avant de l'armoire.
 - b. Enfoncez le coulisseau jusqu'à ce qu'il s'arrête dans le groupe coulissant.



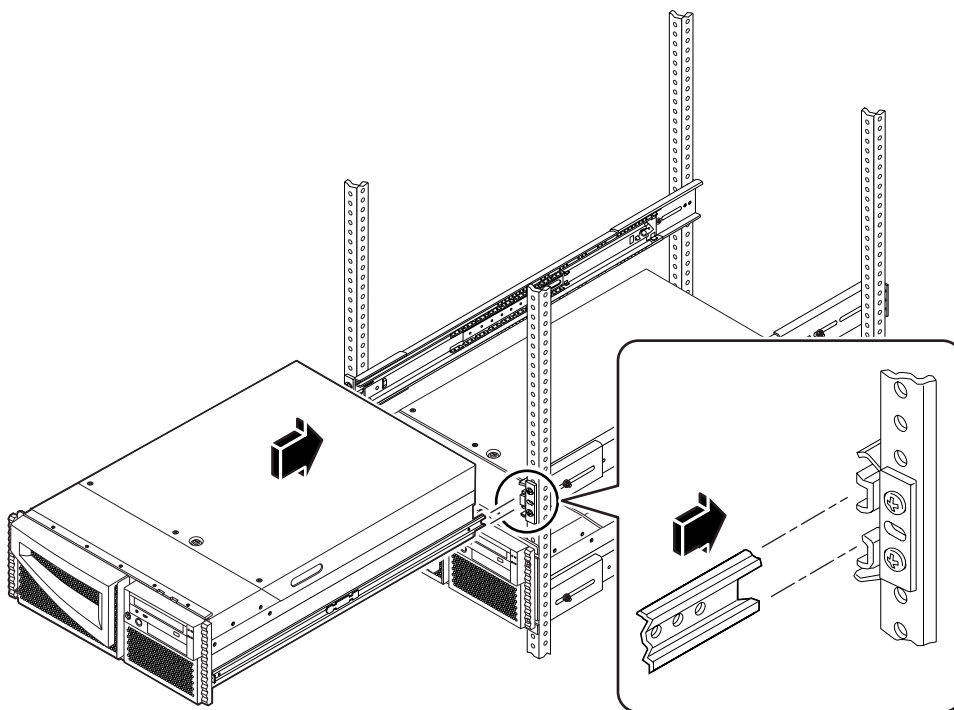
2. Soulevez le serveur (une personne sur chaque côté) et rapprochez-vous de l'armoire avec l'arrière du serveur côté armoire.



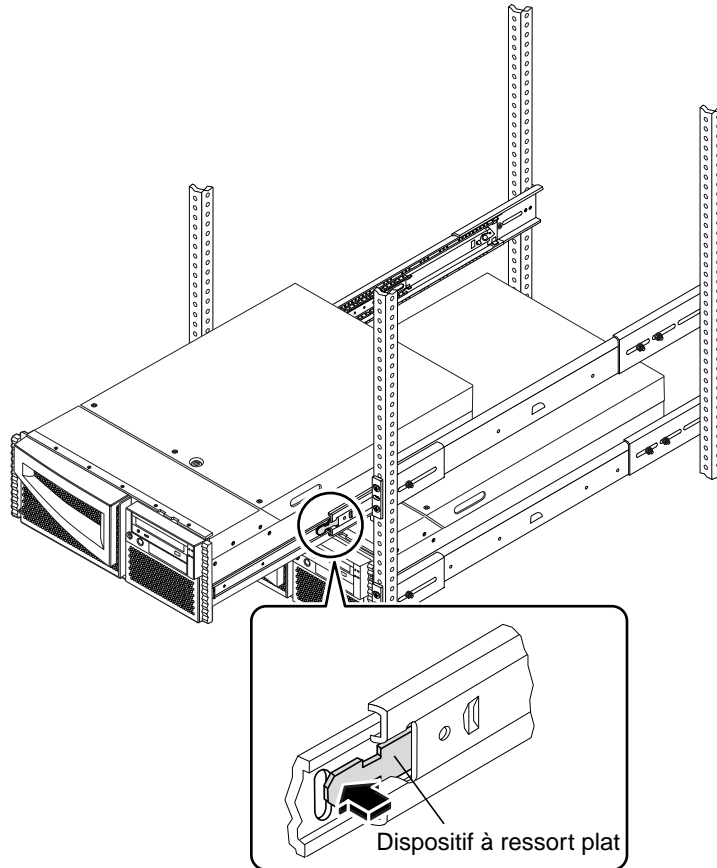
Attention – Le système est lourd. Deux personnes sont nécessaires pour le déplacer.



3. Alignez l'extrémité cannelée des coulisses intérieures du serveur avec les groupes coulissants situés dans l'armoire.

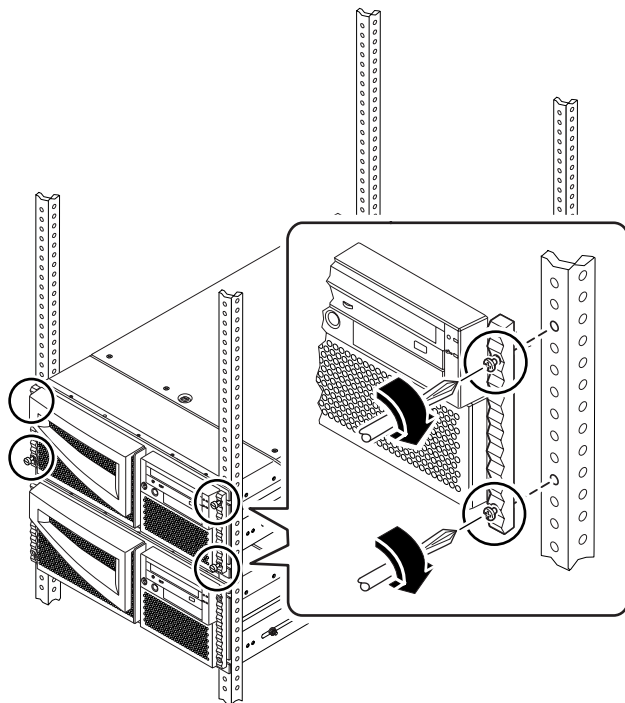


4. Faites glisser le serveur à l'intérieur de l'armoire jusqu'à ce que le mouvement soit arrêté.
5. Sur chaque côté du châssis, poussez le dispositif à ressort plat de chaque coulisse et enfoncez complètement le serveur dans l'armoire.



6. Fixez le châssis aux rails verticaux droit et gauche à l'avant de l'armoire.

Utilisez un tournevis cruciforme n°2 pour serrer les quatre vis prisonnières qui fixent le système dans l'armoire. Ces vis se trouvent dans les renforcements des panneaux décoratifs qui sont fixés au panneau avant du système, comme indiqué.



Remarque – Si vous avez retiré les panneaux latéraux de l'armoire, ne les remettez pas tant que vous n'avez pas terminé les opérations décrites dans le chapitre 3.

Et ensuite

Allez au chapitre 3 et effectuez les opérations de connexion du cordon d'alimentation et des câbles au panneau arrière, de mise sous tension du système et d'installation du système d'exploitation.

Installation du système

Ce chapitre explique comment raccorder l'ensemble des cordons et des câbles nécessaires au fonctionnement du serveur. Lorsque le logiciel est concerné, ce chapitre explique en partie ce que vous devez faire et indique, le cas échéant, les manuels auxquels vous pouvez vous reporter pour le reste des informations.

Vous devez effectuer les tâches suivantes pour terminer l'installation de votre système :

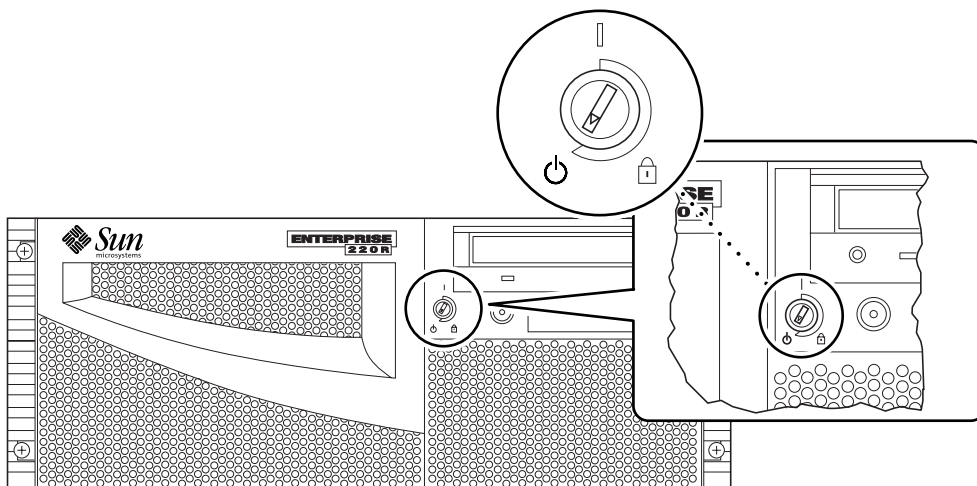
- “Branchement du cordon d'alimentation”, page fr-22 ;
- “Connexion du câble Ethernet”, page fr-25 ;
- “Installation des options”, page fr-27 ;
- “Installation d'une console système”, page fr-27 ;
- “Remise en place de l'armoire”, page fr-31 ;
- “Mise sous tension du système”, page fr-31 ;
- “Installation du système d'exploitation”, page fr-34 ;
- “Installation de la documentation en ligne”, page fr-34.

Si vous devez mettre votre système hors tension, reportez-vous au :

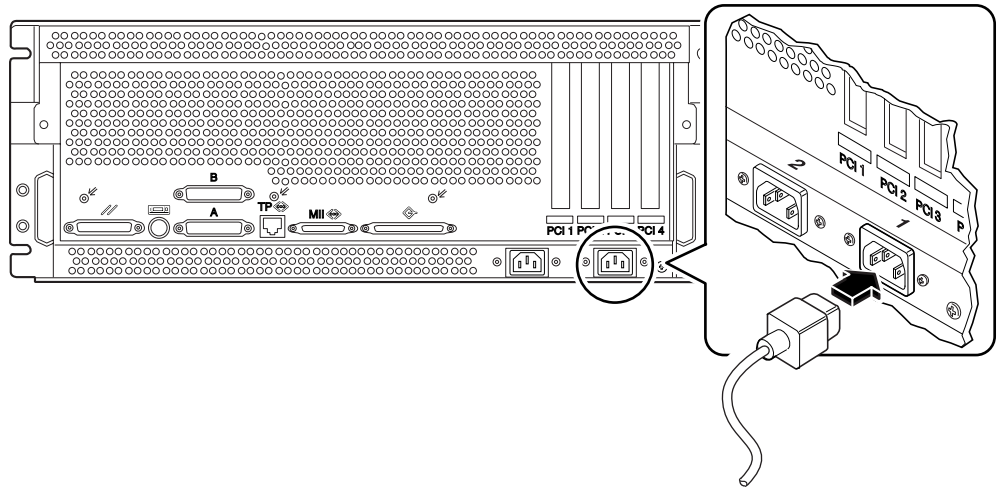
- *Guide du propriétaire du serveur Sun Enterprise 220R.*

Branchement du cordon d'alimentation

1. Tournez l'interrupteur à clé du panneau avant pour le mettre en position Standby (Veille).



2. Branchez le cordon d'alimentation CA à la prise de droite (marquée du chiffre 1) à l'arrière du système.



3. Branchez l'autre extrémité du cordon d'alimentation CA au séquenceur d'alimentation de l'armoire ou à une prise CA.

Reportez-vous aux instructions fournies avec votre armoire pour toute information sur le séquenceur d'alimentation. La prise doit connecter le système à un circuit 15A en Amérique du nord et au Japon, à un circuit 10A en Europe.

Remarque – Si votre serveur est équipé d'une seconde alimentation, branchez le second cordon d'alimentation CA à la prise de gauche (marquée 2). Vous pouvez connecter la seconde alimentation au même circuit CA que la première. Cependant, afin d'augmenter la redondance du système, nous vous conseillons de connecter les deux alimentations à des circuits séparés.

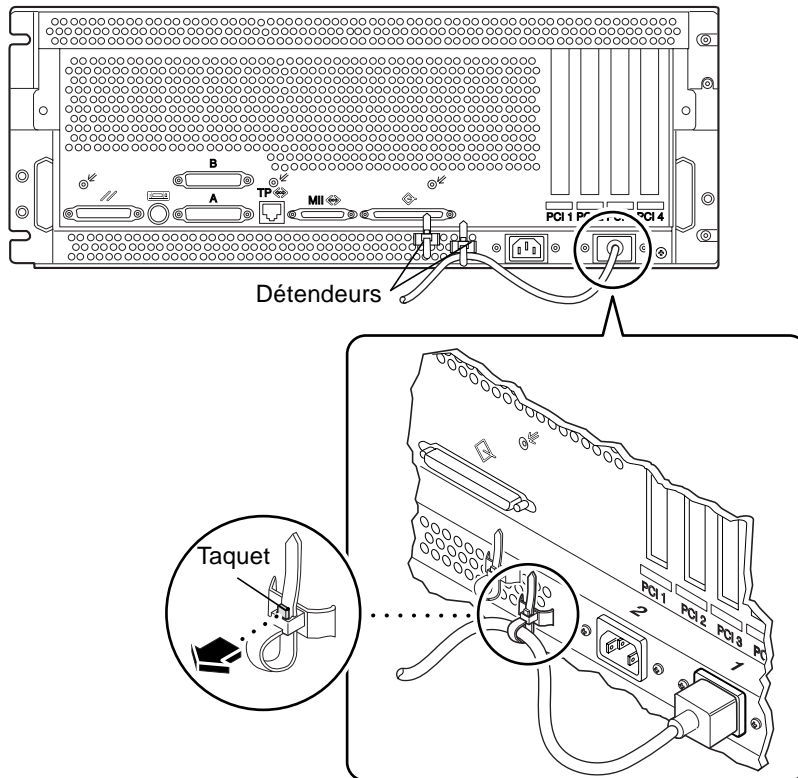
Remarque – Ce système est adapté à une utilisation avec des alimentations IT.

4. Fixez à l'aide d'une attache en caoutchouc le ou les cordons d'alimentation aux détendeurs du panneau arrière.

Le serveur Sun Enterprise 220R est livré avec deux détendeurs sur le panneau arrière. Un détendeur est une attache en plastique fixée à une base et insérée dans le panneau arrière du système. Utilisez les détendeurs afin de retenir les cordons d'alimentation lorsque vous ferez glisser le système dans, ou hors de, l'armoire.

Pour fixer un cordon d'alimentation à l'aide de l'attache, enroulez l'extrémité libre de l'attache autour du cordon et insérez-la dans l'ouverture qui se trouve sur la base du détendeur. Tirez sur l'attache pour la serrer.

Pour retirer l'attache du cordon, appuyez sur le taquet qui se trouve sur la base du détendeur et desserrez l'attache.



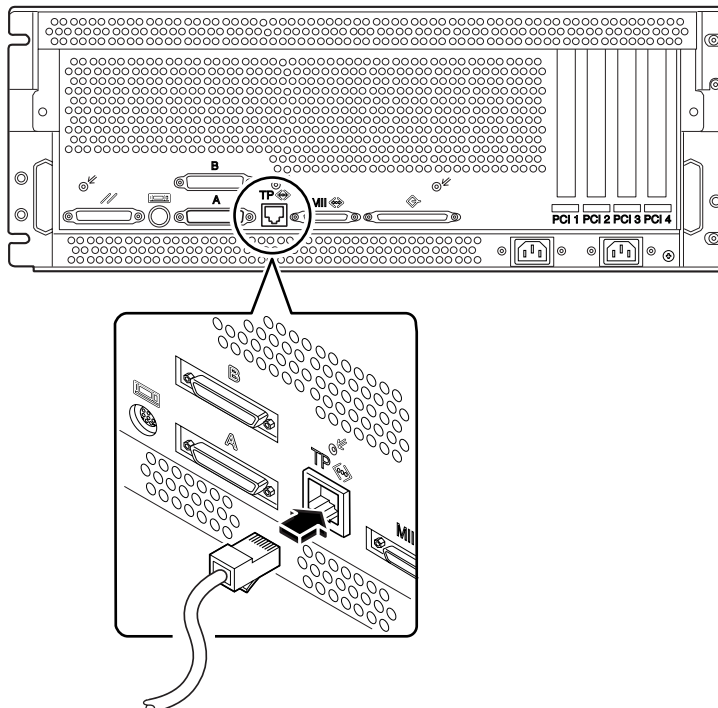
Connexion du câble Ethernet

Ne connectez qu'un seul câble Ethernet au port standard Ethernet situé à l'arrière de votre système — au choix, un câble de type paire torsadée Ethernet (TPE) ou un câble d'émetteur-récepteur MII (*Media Independent Interface*). Vous pouvez établir d'autres connexions Ethernet en installant des cartes Ethernet PCI.

Sun Microsystems propose sous la forme d'une option à commander séparément un câble d'émetteur-récepteur MII vers AUI. Il existe de nombreux câbles MII similaires d'autres marques qui permettent d'établir des connexions avec des réseaux Ethernet de type TX, T4, FX et AUI. Pour plus d'informations, reportez-vous au *Guide du propriétaire du serveur Sun Enterprise 220R*.

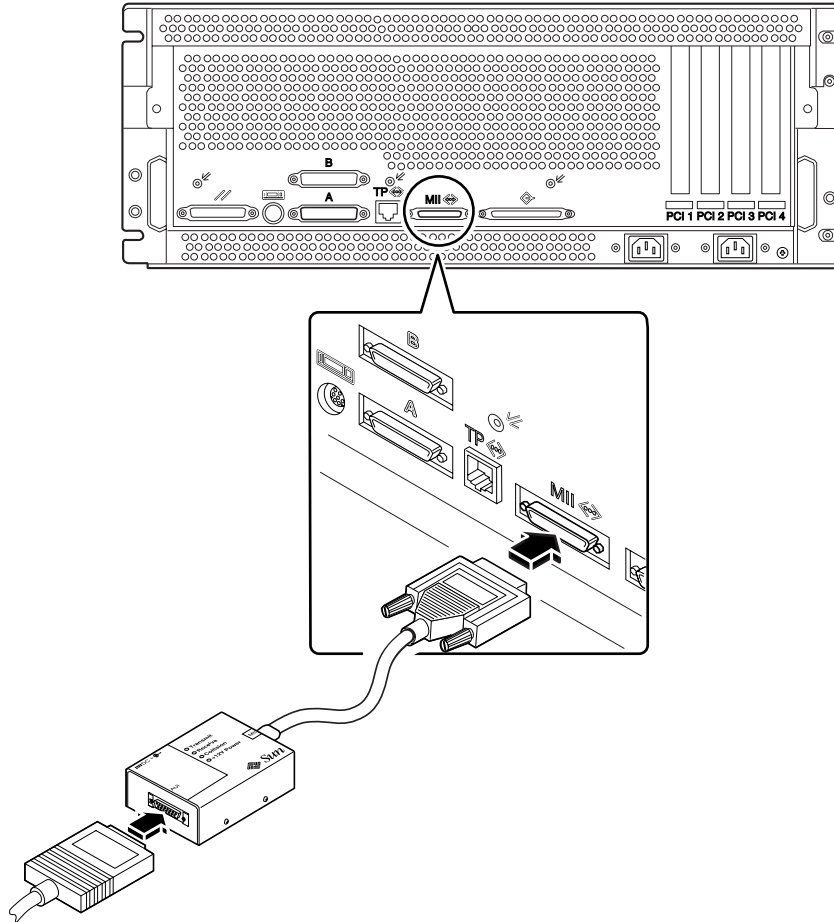
1. Pour connecter un câble TPE :

- a. Connectez le câble TPE au connecteur RJ-45 situé sur le panneau arrière du système.
- b. Connectez l'autre extrémité du câble à la prise TPE murale ou au sol.



2. Pour connecter un câble d'émetteur-récepteur MII :

- a. Connectez un câble MII au connecteur Ethernet MII situé sur le panneau arrière du système.



- b. Raccordez le câble AUI du réseau au connecteur AUI situé sur le câble MII. Verrouillez le connecteur AUI.

Faites glisser le loquet vers la droite pour verrouiller le câble AUI au câble d'émetteur-récepteur MII vers AUI. Utilisez, si besoin est, un tournevis à lame plate.

- c. Connectez l'autre extrémité du câble MII au câble réseau approprié.

Installation des options

La plupart des options commandées avec votre système ont été pré-installées en usine. Pour plus d'informations sur l'installation d'autres options, consultez le *Sun Enterprise 220R Server Service Manual* ou contactez votre représentant agréé Sun. Pour plus d'informations sur l'ajout d'un lecteur de disque interne supplémentaire, consultez le *Guide du propriétaire du serveur Sun Enterprise 220R*.

Installation d'une console système

Pour installer le logiciel serveur ou pour diagnostiquer un problème, vous devez pouvoir d'une manière ou d'une autre entrer des commandes système et en visualiser les résultats. Vous pouvez au choix :

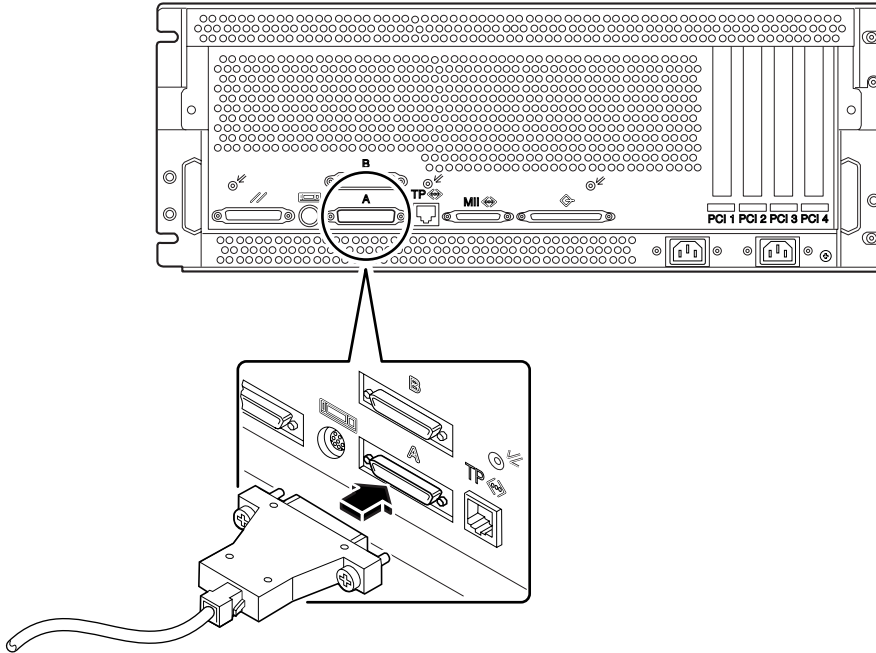
- Etablir une connexion `tip` depuis un autre système Sun.
- Connecter un terminal ASCII au port série A.
- Installer une carte graphique, un moniteur et un clavier sur votre serveur. Ces composants ne sont pas fournis avec le serveur.

Comment établir une connexion `tip`

Pour plus d'informations sur l'établissement d'une connexion `tip`, reportez-vous au *Guide du propriétaire du serveur Sun Enterprise 220R*.

Comment connecter un terminal ASCII

1. Connectez le câble de données du terminal au port série A situé sur le panneau arrière du serveur.



2. Branchez le cordon d'alimentation du terminal à une prise de terre CA.
3. Paramétrez le terminal pour recevoir :
 - à 9600 bauds ;
 - un signal 8 bits sans parité et 1 bit d'arrêt.

Comment installer une console graphique

Pour installer une console graphique locale, vous avez besoin d'une carte graphique PCI, d'un moniteur, d'un clavier compatible Sun, d'une souris et d'un tapis de souris. Ces composants ne sont pas fournis avec le système. Pour plus d'informations, reportez-vous au *Guide du propriétaire du serveur Sun Enterprise 220R*.

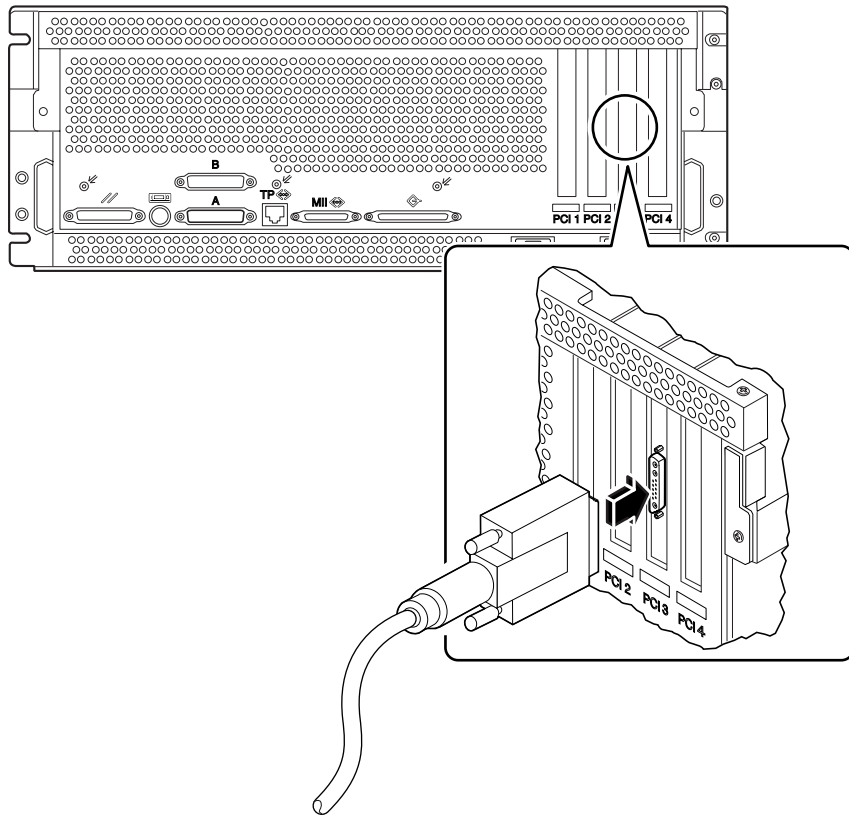
1. Installez la carte graphique dans un emplacement PCI libre.

Consultez le *Sun Enterprise 220R Server Service Manual* ou contactez votre représentant agréé Sun.

2. Raccordez le câble vidéo du moniteur au port vidéo de la carte graphique.

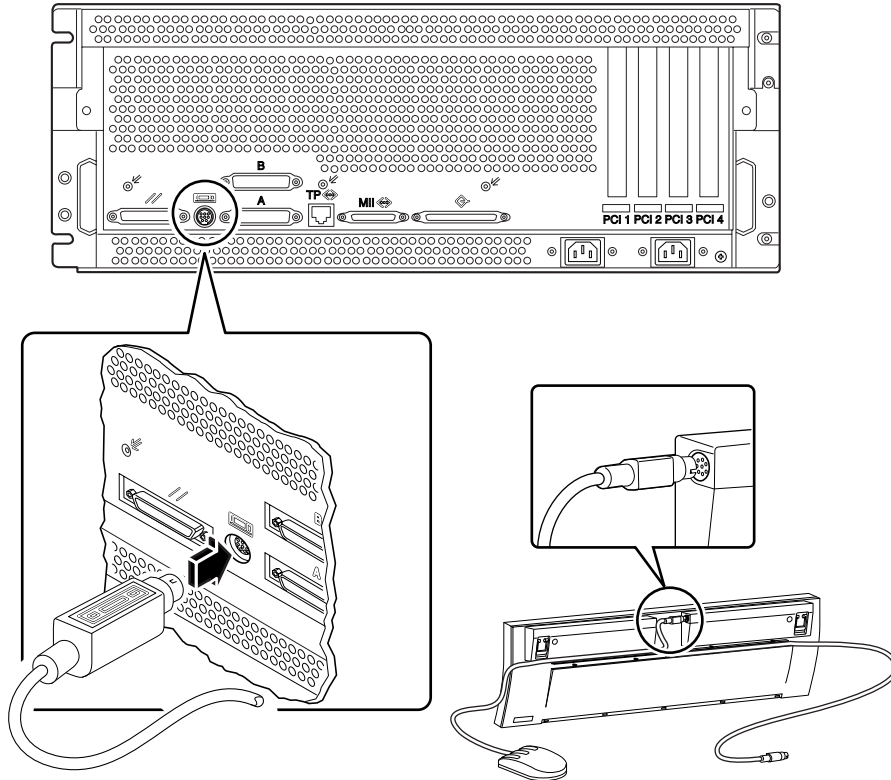
Serrez les vis à oreilles pour sécuriser la connexion.

3. Branchez le cordon d'alimentation du moniteur à une prise de terre CA.



4. Branchez la souris au clavier.

5. Branchez le clavier au système.



Remise en place de l'armoire

Consultez les instructions fournies avec votre armoire pour effectuer ces opérations.

1. **Faites passer et arrangez les câbles à l'intérieur de l'armoire.**
2. **Rétractez, le cas échéant, les pieds antibasculement de l'armoire.**
3. **Remettez en place, le cas échéant, les panneaux latéraux.**
4. **Remettez en place, le cas échéant, les portes avant et arrière.**

Mise sous tension du système



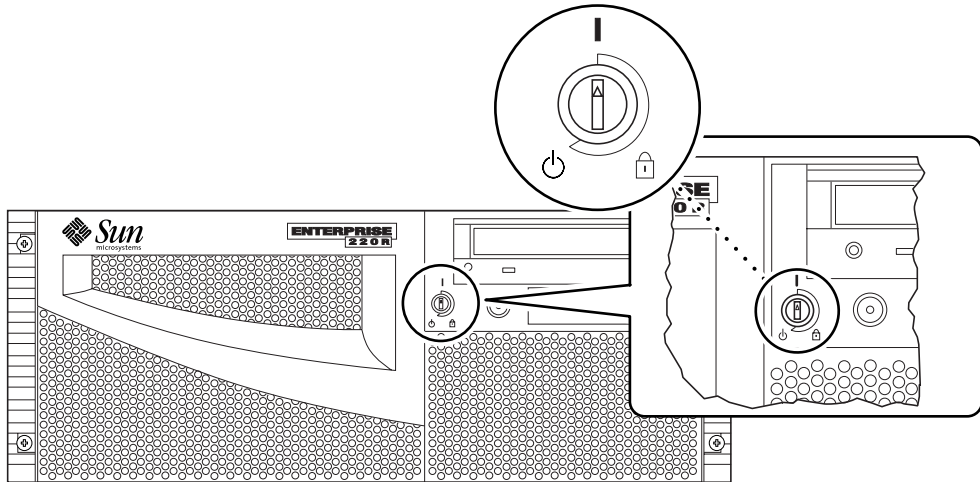
Attention – Ne déplacez jamais un système sous tension. Tout mouvement peut causer des erreurs de disque catastrophiques. Mettez toujours le système hors tension avant de le déplacer.



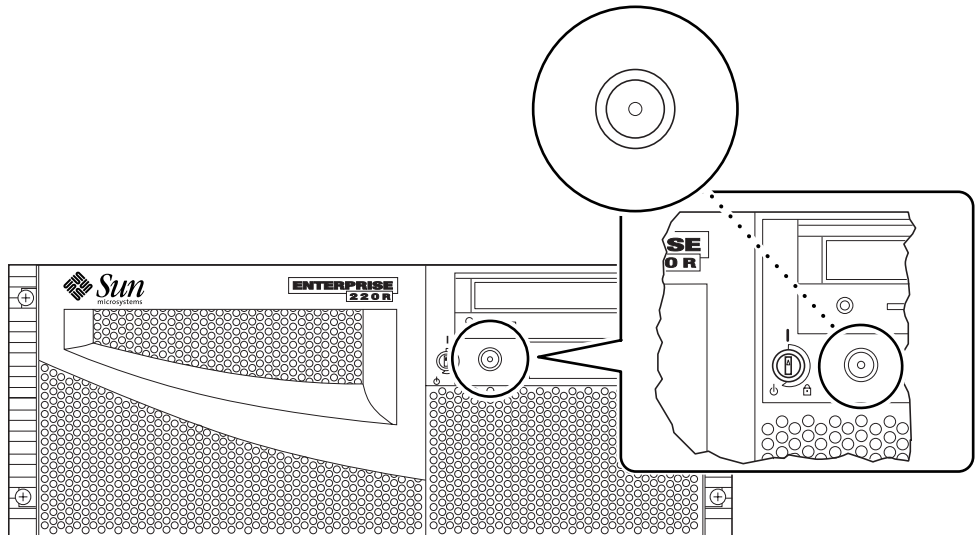
Attention – Avant de mettre le système sous tension, assurez-vous que le capot est bien installé.

1. **Mettez sous tension l'ensemble des périphériques et dispositifs de stockage externes.**
2. **Mettez sous tension, le cas échéant, le moniteur ou le terminal.**

- 3. Mettez l'interrupteur à clé du panneau avant en position Power-On/Off (Marche/Arrêt).**



- 4. Appuyez une fois sur le bouton Power (Marche) du panneau avant.**

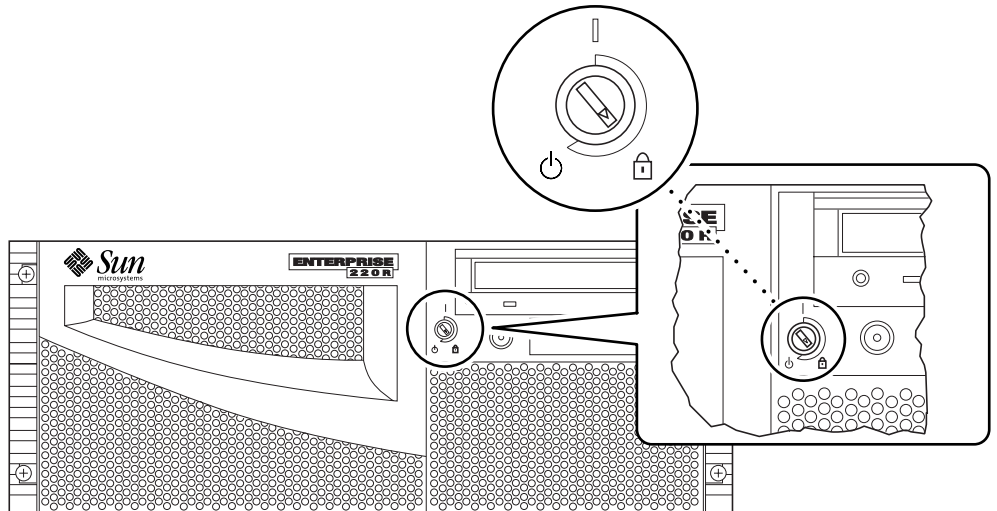


Remarque – Un laps de temps de 30 secondes à 2 minutes s'écoule avant que l'image n'apparaisse sur le moniteur du système ou que l'invite OK ne s'affiche sur le terminal branché au serveur. La durée nécessaire dépend du niveau des diagnostics d'auto-test à la mise sous tension (POST) effectués.

Remarque – Si vous devez mettre le système hors tension, consultez le *Guide du propriétaire du serveur Sun Enterprise 220R*.

5. Mettez l'interrupteur à clé en position Locked (verrouillé).

La position Locked empêche toute mise hors tension accidentelle du système.



Installation du système d'exploitation

Si vous installez l'environnement d'exploitation Solaris 7 ou une version ultérieure de ce logiciel, consultez la documentation qui accompagne votre logiciel Solaris™ ainsi que le *Guide du propriétaire du serveur Sun Enterprise 220R* pour en savoir plus sur l'installation.

Si vous installez l'environnement d'exploitation Solaris 2.6 Hardware 5/98, vous devez utiliser le *CD Operating Environment Installation* fourni avec votre système. Pendant le processus d'installation, ce CD installe certains patches de mise à jour du logiciel, pour le support des versions de Solaris qui s'exécutent à la vitesse d'UC de 450 MHz.

Ce CD ne fournit pas le contenu des versions de Solaris. Vous devez disposer du kit média Solaris pour l'environnement d'exploitation Solaris 2.6 Hardware 5/98 pour installer le logiciel Solaris proprement dit. A un certain stade du processus d'installation, le *CD Operating Environment Installation* vous invite à installer le logiciel Solaris.

Ce CD n'est pas nécessaire si vous utilisez l'environnement d'exploitation Solaris 7 ou une version ultérieure de celui-ci.

Pour les instructions d'installation, consultez la documentation fournie avec le *CD Operating Environment Installation*.

Installation de la documentation en ligne

Ce kit de documentation contient un CD-ROM comportant la documentation en ligne qui décrit comment utiliser et entretenir votre système. Consultez les documents fournis avec ce CD-ROM pour les instructions d'installation.

Caractéristiques de l'armoire

Ce serveur est conçu pour que vous puissiez l'installer dans une armoire d'extension Sun de 184 cm (72 pouces) de haut ou dans toute autre armoire standard conforme EIA qui présente les caractéristiques énoncées dans le tableau ci-dessous. Vous avez besoin d'un kit de montage en armoire Sun pour chacun des serveurs que vous montez dans une armoire.

Caractéristique	Valeur requise
Capacité de charge	L'armoire doit supporter sans risque le poids d'un serveur Sun Enterprise 220R (34 kg, 75 livres), plus le poids du matériel de montage, plus le poids de tout autre périphérique installé.
Espace vertical	Chaque serveur a besoin de quatre unités rack (4U, soit 17,78 cm ou 7 pouces) d'espace en hauteur pour l'installation en armoire. Une armoire de 183 cm (72 pouces) peut contenir jusqu'à neuf serveurs.
Ventilation	<p>Le système nécessite 53 l/s à 40° C et 3000m. Ce taux correspond à 149 kg/h à n'importe quelle altitude et à 36 ls/s à 40° C au niveau de la mer.</p> <p>Pour une ventilation adéquate, il faut ménager pour chaque système contenu dans l'armoire un espace de 181 cm³ (28 pouces carrés) pour l'entrée de l'air à l'avant du système et un espace de 148 cm³ (23 pouces carrés) pour la sortie de l'air à l'arrière du système. Conservez un espace de 3,8 cm minimum (1,5 pouces) entre le système et toute porte avant ou arrière.</p>

Caractéristique	Valeur requise
Rails verticaux	<p>L'armoire doit être équipée de deux paires de rails de montage verticaux (une paire à l'avant, une paire à l'arrière) conformes à la norme EIA (RETMA) pour ce qui est de l'espacement des trous de montage.</p> <p>L'espacement entre les rails de gauche à droite (du centre des trous de montage au centre des trous de montage) doit être de 46,5 cm (18,3 pouces) pour les rails avant et les rails arrière.</p> <p>L'espacement des rails de l'avant à l'arrière de l'armoire doit être d'au moins 68,26 cm (26,875 pouces) et ne doit pas dépasser 88,5 cm (34,875 pouces) mesuré de la face externe du rail avant à la face externe du rail arrière.</p> <p>Les faces de montage des rails verticaux avant et arrière doivent être parallèles entre elles et avec le plan avant de l'armoire.</p>
Portes et panneaux	<p>Si vous utilisez une armoire d'extension Sun, vous pouvez retirer la porte avant et les panneaux latéraux pour faciliter l'accès au système. Sinon, reportez-vous aux instructions qui accompagnent votre armoire.</p>
Caractéristiques EMI	<p>Le châssis du système et les panneaux latéraux métalliques, qui restent en place une fois l'unité montée dans l'armoire, doivent être conformes aux normes de blindage contre les interférences électromagnétiques (EMI).</p>
Protection antibasculement	<p>L'armoire doit être solidement fixée au sol à l'aide de boulons ou équipée d'un pied antibasculement réglable et robuste. Vous devez empêcher que l'armoire ne bascule en avant lorsqu'un ou plusieurs systèmes ou périphériques sont complètement sortis à l'avant de l'armoire.</p>
Accès minimum	<p>Une zone non-inférieure à 1 mètre (3 pieds) de profondeur et 2 mètres (6 pieds) de large doit être dégagée devant l'armoire pour permettre l'accès lors des opérations d'installation et de maintenance.</p> <p>Lorsqu'il est complètement sorti sur ses rails, le système dépasse de 75,6 cm (29,75 pouces) des rails de montage verticaux avant de l'armoire.</p>
Résistance au feu	<p>L'armoire doit être conforme aux normes de résistance au feu de l'Underwriters Laboratories, Inc. et du TUV Rheinland de N.A.</p>

Handbuch zu Installation und Rack-Montage

In diesem Handbuch wird erläutert, wie Sie den Sun Enterprise™ 220R-Arbeitsgruppenserver in ein Sun-Erweiterungsgehäuse oder ein anderes EIA-Rack einbauen.

Die folgenden Arbeitsschritte und Themen werden in diesem Handbuch erläutert:

- Vorbereitungen — Seite de-2
 - Auspacken des Systems — Seite de-2
 - Überprüfen des Inhalts der Lieferung — Seite de-3
- Einbau in ein Rack — Seite de-7
 - Benötigtes Werkzeug — Seite de-7
 - Sicherheitsvorkehrungen — Seite de-8
 - Vorbereiten des Racks — Seite de-9
 - Anbringen der Montagewinkel an den Ausziehschienen — Seite de-10
 - Einbauen der Ausziehschienen in das Rack — Seite de-13
 - Einbauen des Servers in das Rack — Seite de-17
- Installation des Systems — Seite de-21
 - Anschließen des Netzkabels — Seite de-22
 - Anschließen des Ethernet-Kabels — Seite de-25
 - Installieren von Optionen — Seite de-27
 - Installieren einer Systemkonsole — Seite de-27
 - Abschließen der Rack-Montage — Seite de-31
 - Einschalten des Systems — Seite de-31
 - Installieren des Betriebssystems — Seite de-34
 - Installieren der Online-Dokumentation — Seite de-34
- Anforderungen an das Rack — Seite de-35

Vorbereitungen

Zur Installation eines Sun Enterprise-Servers führen Sie die folgenden Arbeitsschritte in der angegebenen Reihenfolge aus:

- Packen Sie das System aus, und überprüfen Sie den Inhalt der Lieferung auf Vollständigkeit. Siehe Kapitel 1.
- Bauen Sie den Server in ein Rack ein. Siehe Kapitel 2.
- Installieren Sie den Server, schalten Sie ihn ein, und installieren Sie das Betriebssystem. Siehe Kapitel 3.

Auspacken des Systems

Bei der Lieferung ab Werk sind die meisten internen Optionen bereits im System installiert. Nicht werkseitig installierte Peripheriegeräte werden getrennt geliefert. Anweisungen zum Auspacken sind auf der Außenseite des Transportkartons aufgedruckt.

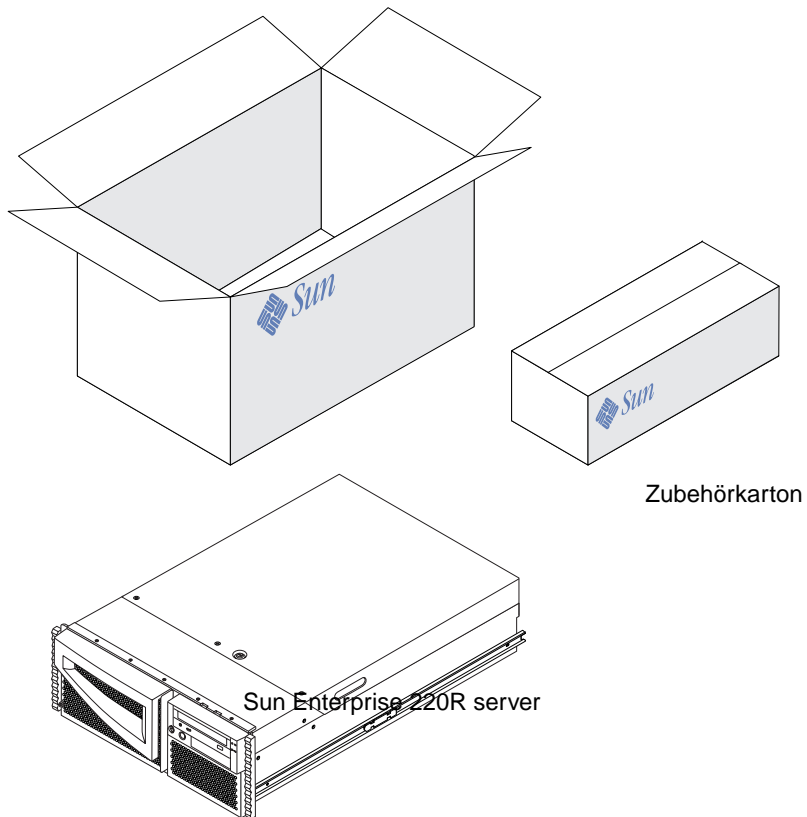
Überprüfen Sie alle Transportkartons auf Anzeichen von Beschädigungen. Wenn ein Transportkarton beschädigt ist, öffnen Sie den Karton nur in Anwesenheit eines Vertreters des Transportunternehmens. Heben Sie den Inhalt und alle Verpackungsmaterialien auf, damit Sie sie dem Vertreter des Transportunternehmens gegebenenfalls vorlegen können.

Überprüfen Sie, ob alle bestellten Teile im Lieferumfang enthalten sind. Wenden Sie sich an Sun Microsystems oder Ihren Sun-Vertriebsbeauftragten bzw. Ihren Händler, wenn Teile fehlen.

Überprüfen des Inhalts der Lieferung

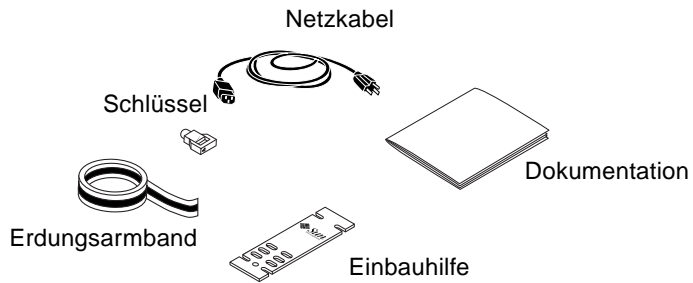
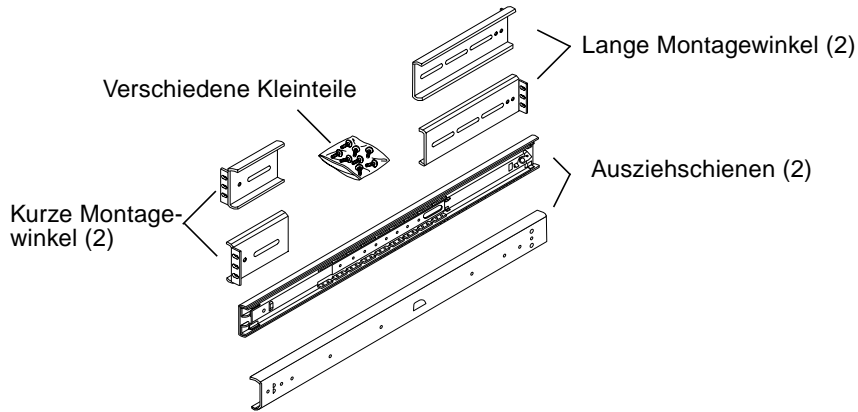
Der Transportkarton enthält die folgenden Teile:

- Sun Enterprise 220R-Arbeitsgruppenserver
- Zubehörkarton

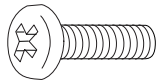


Inhalt des Zubehörkartons

Der Zubehörkarton enthält die folgenden Teile:



Der Zubehörkarton enthält einen Beutel mit verschiedenen Kleinteilen: Schrauben, Muttern und Unterlegscheiben (unten in tatsächlicher Größe abgebildet). Diese Kleinteile benötigen Sie zum Einbau der Montagewinkel und der Ausziehschienen.



10-32 x 3/4
Schraube (8)



8-32 x 3/8
Schraube (8)



Flache
Unterlegs
scheibe (8)



Sicherungs
scheibe (8)



Mutter (8)

Hinweis – Für Racks mit Bohrungen ohne Gewinde benötigen Sie Stabmuttern (nicht mitgeliefert). Nähere Informationen finden Sie in der Dokumentation zum Rack. Bei Racks von Sun werden keine Stabmuttern verwendet.

Einbau in ein Rack

In diesem Kapitel wird Schritt für Schritt erläutert, wie Sie den Server in ein Sun-Erweiterungsgehäuse oder ein anderes EIA-Rack einbauen können.

Zum Einbau eines Sun Enterprise 220R-Servers in einem Rack führen Sie die folgenden Arbeitsschritte in der angegebenen Reihenfolge aus:

- „Vorbereiten des Racks“ auf Seite de-9
- „Anbringen der Montagewinkel an den Ausziehschienen“ auf Seite de-10
- „Einbauen der Ausziehschienen in das Rack“ auf Seite de-13
- „Einbauen des Servers in das Rack“ auf Seite de-17

In *Sun Enterprise 220R Server Übersicht über die Rack-Montage* (als Teil der Dokumentation geliefert) werden die beim Einbau in einem Rack auszuführenden Arbeitsschritte anschaulich grafisch dargestellt. In diesem Kapitel sind die einzelnen Schritte ausführlich erklärt.

Benötigtes Werkzeug

- Kreuzschlitzschraubenzieher (Nr. 2)
- Flachschraubenzieher
- Satz von Innensechskantschlüsseln zum Abnehmen der Seitenverkleidungen bei einigen Racks
- Ein verstellbarer Schlüssel zum Anziehen der Muttern an den Montagewinkeln

Vorbereitungen

- Packen Sie das System aus, und überprüfen Sie den Inhalt der Lieferung auf Vollständigkeit. Anweisungen finden Sie in Kapitel 1.
- Packen Sie den Zubehörkarton aus, und legen Sie die Ausziehschienen, die Montagewinkel und die Kleinteile auf einer übersichtlichen Fläche ab.
- Überprüfen Sie, ob alle unter „Überprüfen des Inhalts der Lieferung“ auf Seite de-3 genannten Komponenten und Kleinteile vorhanden sind.
- Lesen Sie die Anforderungen hinsichtlich des Racks, die in Anhang A dieses Handbuchs aufgeführt sind.
- Beachten Sie die folgenden Sicherheitsvorkehrungen.

Sicherheitsvorkehrungen

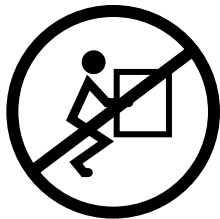
Eine vollständige Beschreibung der bei der Installation eines Sun Enterprise 220R-Servers zu beachtenden Sicherheitsvorkehrungen finden Sie im *Sun Enterprise 220R-Server Benutzerhandbuch*.



Achtung – Installieren Sie das System so weit unten im Rack wie möglich. Damit das Rack nicht instabil wird, dürfen Sie das System nicht über Geräten installieren, die leichter sind als das System.



Achtung – Das System ist schwer. In den folgenden Arbeitsschritten sind zwei Personen erforderlich, um das System zu bewegen. Auch für die Ausrichtung und den Einbau der Ausziehschienen im Rack werden zwei Personen benötigt.





Achtung – Um eine ausreichende Lüftung sicherzustellen, ist für jedes System im Rack ein freier Lufteinlaßbereich von 181 cm² an der Vorderseite des Systems und ein freier Luftauslaßbereich von 148 cm² an der Rückseite des Systems erforderlich. Zwischen dem System und den Türen vorne und hinten (sofern vorhanden) muß ein Abstand von mindestens 3,8 cm frei bleiben. Weitere Informationen finden Sie in Anhang A.

Vorbereiten des Racks

- 1. Öffnen Sie am Rack die Türen vorne und hinten (sofern vorhanden), und nehmen Sie sie ab.**

Siehe dazu die mit dem Rack gelieferten Anweisungen.

- 2. Stabilisieren Sie das Rack, indem Sie die Stabilisierungsständer ausklappen oder das Rack fest am Boden verschrauben.**

Siehe dazu die mit dem Rack gelieferten Anweisungen.

- 3. Nehmen Sie die Seitenverkleidungen des Racks (sofern vorhanden) ab.**

Siehe dazu die mit dem Rack gelieferten Anweisungen. Wenn die Seitenverkleidungen abgenommen werden, sind die Muttern und Schrauben, mit denen Sie das System im Rack befestigen, möglicherweise besser zugänglich.

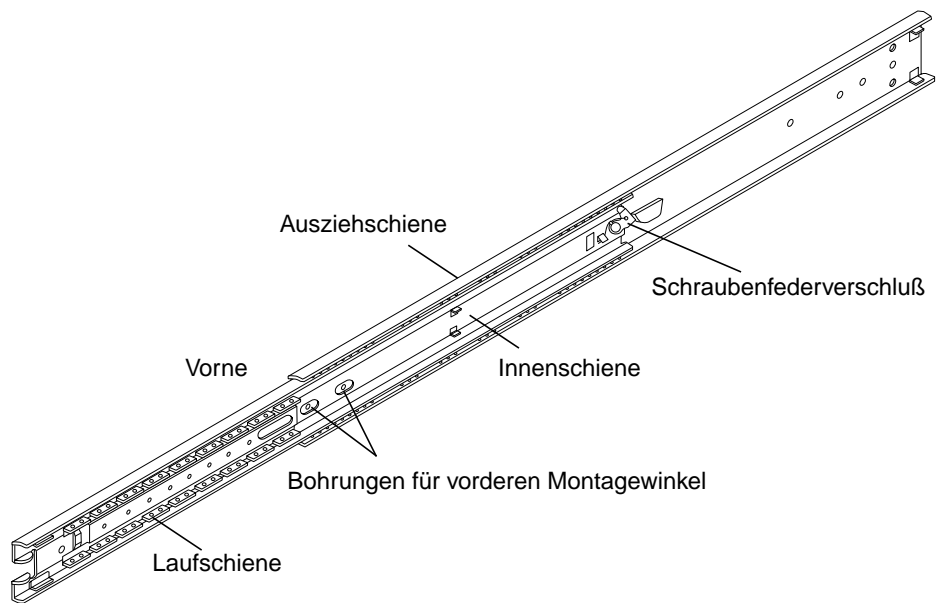
Anbringen der Montagewinkel an den Ausziehschienen

Bringen Sie an den Ausziehschienen außen einen kurzen und einen langen Montagewinkel an.

Führen Sie die folgenden Schritte für alle Ausziehschienen aus.

1. **Bringen Sie einen kurzen Montagewinkel vorne an den Ausziehschienen an.**
 - a. **Ziehen Sie die Ausziehschiene aus, damit die Bohrungen für den vorderen Montagewinkel freiliegen.**

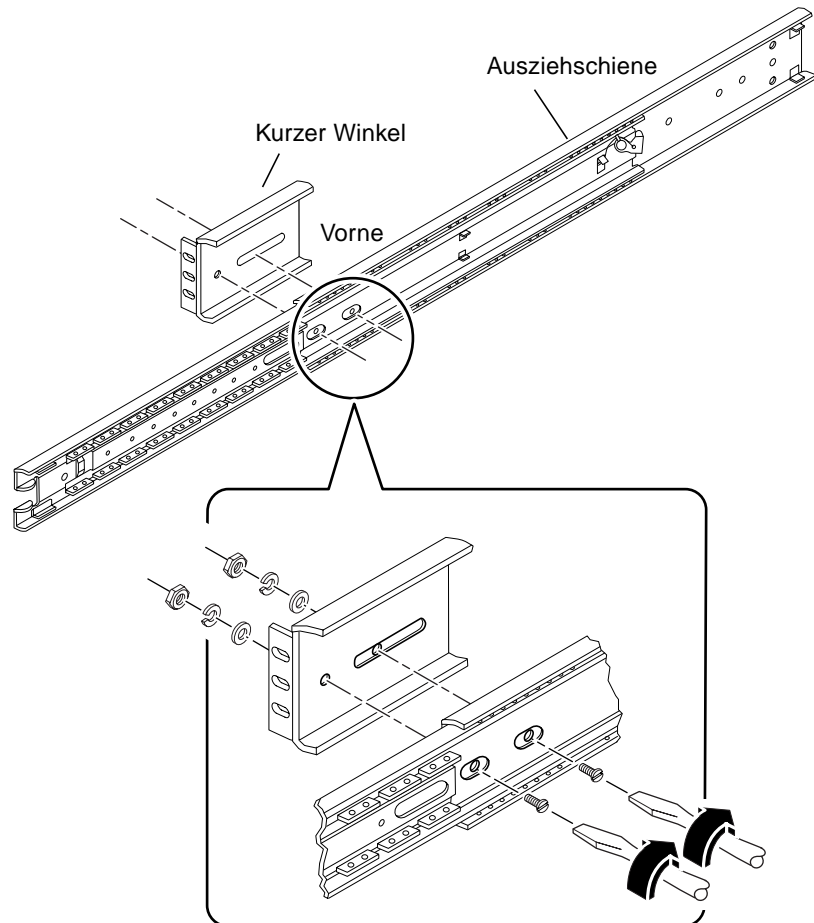
Öffnen Sie den Schraubenfederverschluß an der Innenschiene, um die Ausziehschiene ausziehen.



b. Positionieren Sie den kurzen Montagewinkel über dem vorderen Ende der Ausziehschiene.

Die Lasche am Montagewinkel muß wie abgebildet zum vorderen Ende der Ausziehschiene weisen.

c. Befestigen Sie den kurzen Montagewinkel an der Ausziehschiene. Verwenden Sie zwei 8-32-Flachkopfschrauben mit einer flachen Unterlegscheibe, einer Sicherungsscheibe und einer Mutter für jede Schraube.



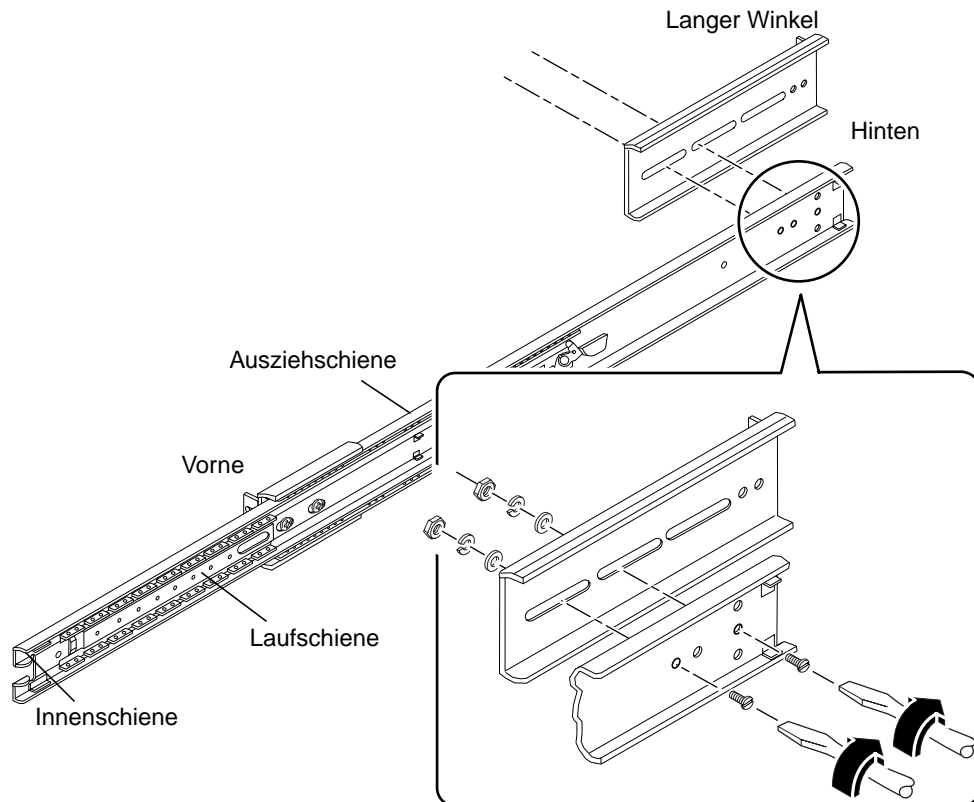
2. Bringen Sie einen langen Montagewinkel hinten an den Ausziehschienen an.

a. Positionieren Sie den langen Montagewinkel über dem hinteren Ende der Ausziehschiene.

Richten Sie die langen schmalen Aussparungen am Ende des langen Montagewinkels wie abgebildet an den Bohrungen in der Ausziehschiene aus.

b. Befestigen Sie den langen Montagewinkel locker an der Ausziehschiene. Verwenden Sie zwei 8-32-Flachkopfschrauben, flache Unterlegscheiben, Sicherungsscheiben und Muttern für jeden langen Montagewinkel.

Ziehen Sie die Schrauben nicht vollständig an. Beim Einbauen der Ausziehschiene in das Rack müssen Sie die Montagewinkel möglicherweise noch verstellen.



3. Schieben Sie die Innenschiene und die Laufschiene der Ausziehschienen wieder hinein.

a. Schieben Sie die Innenschiene vollständig in die Ausziehschiene hinein. Öffnen Sie gegebenenfalls den Schraubenfederverschluß.

b. Schieben Sie die Laufschiene bis zum Anschlag hinein.

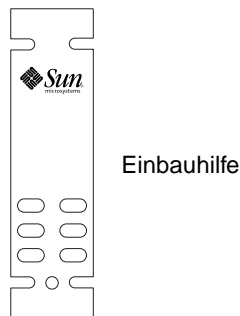
Einbauen der Ausziehschienen in das Rack

1. Markieren Sie an den vertikalen Montagestreben des Racks die richtigen Positionen für die Montage der Ausziehschienen.

Pro Server sind vier Rack-Einheiten (17,78 cm) bzw. 12 Bohrungen zu veranschlagen. Die Bohrungen bei einem Standard-Rack sind in Gruppen zu je 3 Bohrungen im Abstand von 5/8, 5/8, 4/8 Zoll (ca. 1,59 bzw. 1,27 cm) angeordnet. Welche Bohrungen für das Anbringen einer Ausziehschiene zu verwenden sind, hängt daher davon ab, an welcher Stelle Sie das System einbauen wollen.

Sie können die Bohrungen abzählen, so daß alle Ausziehschienen vorne und hinten sowie auf beiden Seiten auf derselben Höhe angebracht werden, oder Sie verwenden die mit der Dokumentation zum System gelieferte Einbauhilfe. Markieren Sie die Position am Rack mit einem Filzstift oder mit Klebeband.

Installieren Sie die Ausziehschienen in der niedrigstmöglichen Position. Beim Einbauen des ersten Systems in das Rack verwenden Sie die Bohrungen 3 und 4 oder 5. Installieren Sie zusätzliche Server immer von unten nach oben.

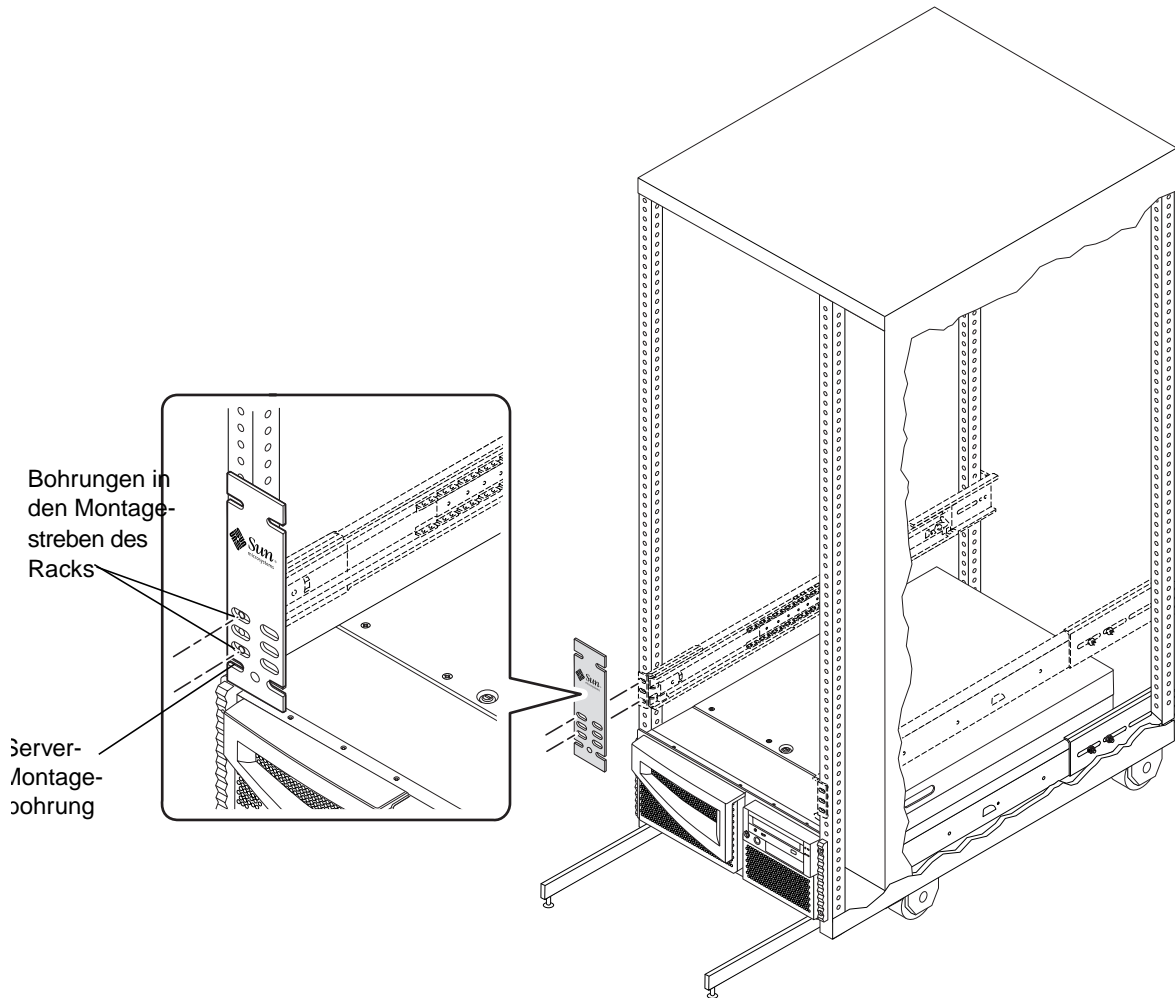


Bei Verwendung der Einbauhilfe führen Sie die folgenden Schritte aus:

- a. Halten Sie die Einbauhilfe an die vordere linke vertikale Montagestrebe des Racks. Siehe dazu die nächste Abbildung.
- b. Halten Sie die Unterkante der Einbauhilfe genau an der Position an die Montagestrebe, an der sich später die Unterseite des Systems befinden wird.
- c. Halten Sie die Einbauhilfe so, daß sich die untere Montagebohrung für den Server in der Mitte der Aussparung in der Einbauhilfe befindet.

d. Schauen Sie durch die drei Bohrungen der Einbauhilfe, und markieren Sie die zwei Bohrungen in der Montagestrebe des Racks, die durch die Einbauhilfe am besten zu sehen sind.

Verwenden Sie diese beiden Bohrungen in der Montagestrebe des Racks zum Anbringen der Ausziehschiene an der Montagestrebe. Zum Anbringen der Ausziehschiene verwenden Sie nur zwei der drei Bohrungen. Der Montagewinkel ist mit drei Bohrungen versehen, da die Bohrungen in der Montagestrebe in unterschiedlichen Abständen angeordnet sind. Markieren Sie die entsprechenden Bohrungen an der vorderen rechten vertikalen Montagestrebe des Racks.



2. Bringen Sie eine Ausziehschiene an der rechten Montagestrebe des Racks und die andere an der linken Montagestrebe des Racks an. Siehe dazu die nächste Abbildung.

- a. Lassen Sie sich von einer zweiten Person helfen, und halten Sie die Ausziehschiene so an die Innenseite des Racks, daß der kurze Montagewinkel zur Vorderseite des Racks weist.**

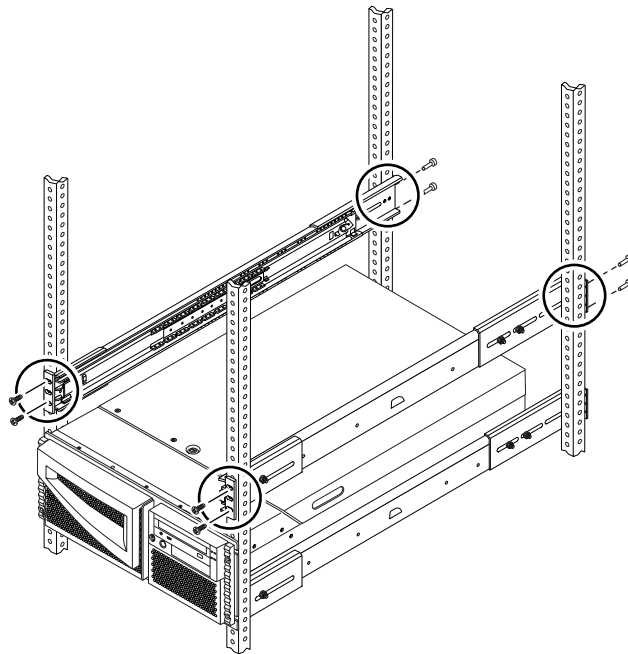
Zählen Sie die Bohrungen ab, damit die Ausziehschienen vorne und hinten sowie auf beiden Seiten auf gleicher Höhe angebracht werden, oder verwenden Sie wie in Schritt 1 erläutert die Einbauhilfe.

- b. Bringen Sie den vorderen, kurzen Montagewinkel einer Ausziehschiene an der vorderen Montagestrebe des Racks an.**

Befestigen Sie den an der Ausziehschiene angebrachten Montagewinkel mit zwei 10-32-Kreuzschlitzflachkopfschrauben an der vorderen Montagestrebe. Verwenden Sie die in Schritt 1 markierten Bohrungen. Ziehen Sie die Schrauben von Hand an. Ziehen Sie die Schrauben erst dann vollständig an, wenn alle Schrauben angebracht und die Ausziehschienen gerade ausgerichtet wurden.

- c. Bringen Sie den langen Montagewinkel derselben Ausziehschiene an der hinteren Montagestrebe des Rack an.**

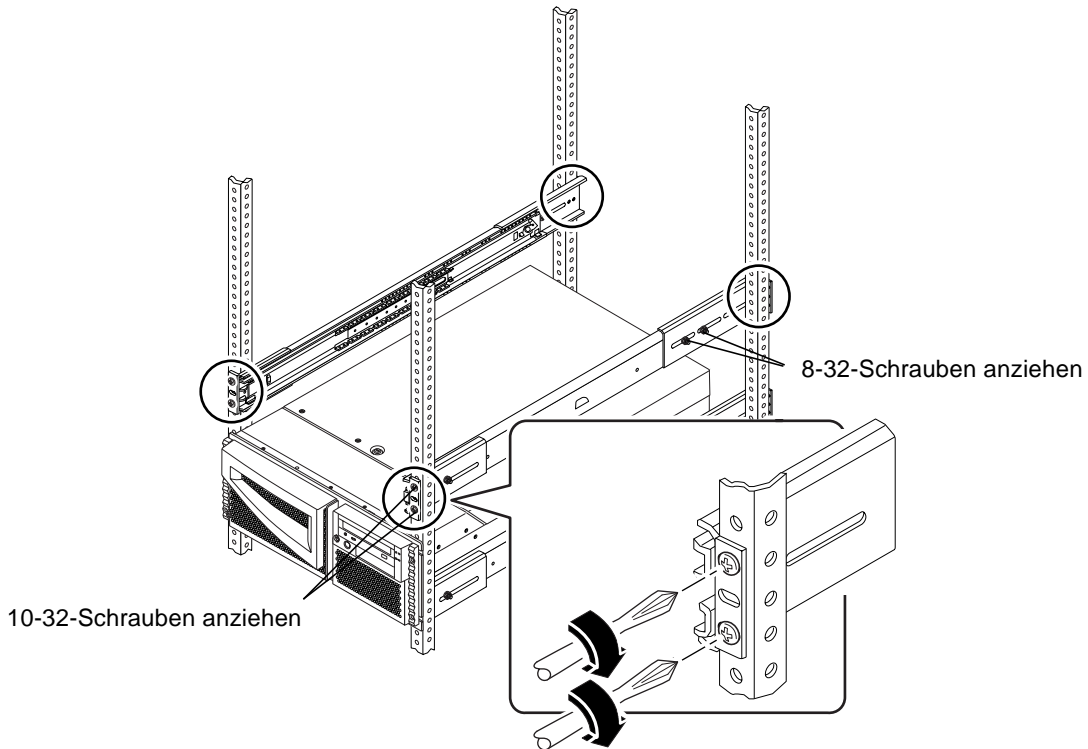
Befestigen Sie den an der Ausziehschiene angebrachten Montagewinkel mit zwei 10-32-Kreuzschlitzflachkopfschrauben an der hinteren Montagestrebe. Ziehen Sie die Schrauben von Hand an. Ziehen Sie die Schrauben erst dann vollständig an, wenn alle Schrauben angebracht und die Ausziehschienen gerade ausgerichtet wurden.



Hinweis – Je nach Tiefe des Racks müssen Sie den hinteren Montagewinkel eventuell nach vorne oder nach hinten versetzen.

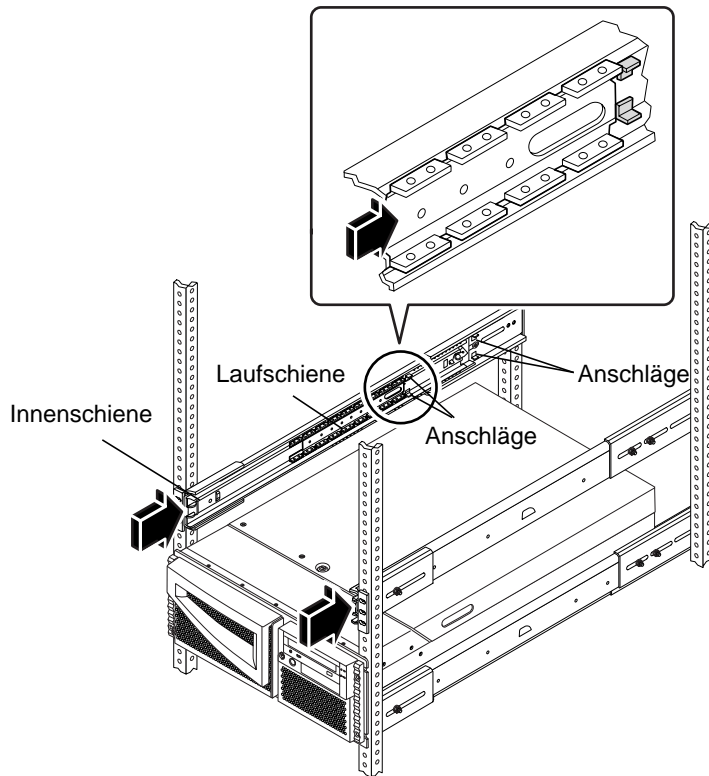
3. Ziehen Sie alle Rack-Montageschrauben vollständig an.

- a. Vergewissern Sie sich, daß die Ausziehschienen vorne und hinten sowie auf beiden Seiten auf derselben Höhe angebracht sind.
- b. Ziehen Sie die acht 10-32-Schrauben an, mit denen die langen und kurzen Montagewinkel an den vertikalen Montagestreben des Racks befestigt sind.
- c. Ziehen Sie die vier 8-32-Schrauben an, mit denen die langen Montagewinkel an den Ausziehschienen befestigt sind.



Einbauen des Servers in das Rack

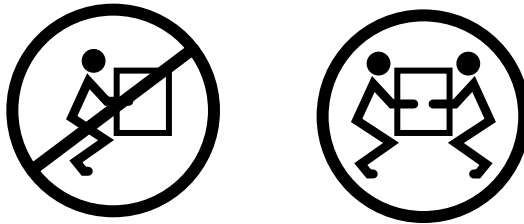
1. Stellen Sie sicher, daß die Laufschiene der einzelnen Ausziehschienen so weit wie möglich in die Ausziehschiene hineingeschoben wird.
 - a. Drücken Sie die Innenschiene der Ausziehschiene bis zu den Anschlägen hinein, die sich am weitesten von der Vorderseite des Racks entfernt befinden.
 - b. Drücken Sie die Laufschiene bis zum Anschlag in die Ausziehschiene hinein.



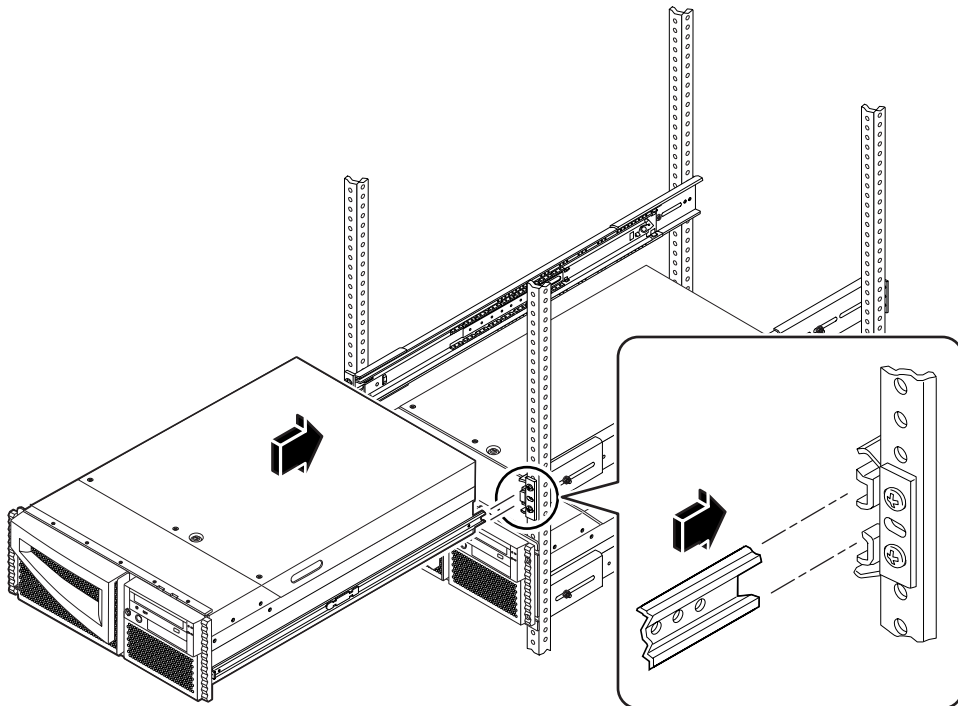
2. Heben Sie den Server mit einer Person auf jeder Seite des Servers an, und tragen Sie den Server so zum Rack, daß die Rückseite des Servers auf die Vorderseite des Racks weist.



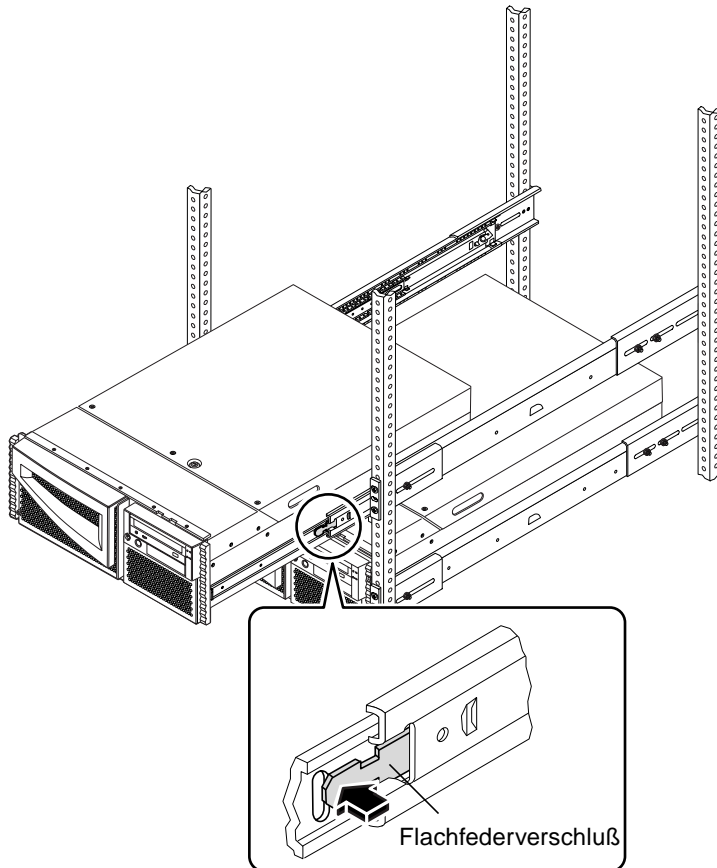
Achtung – Das System ist schwer. Zum Bewegen des Systems sind zwei Personen erforderlich.



3. Richten Sie das gefaltete Ende der Gleiträger am Server an den Ausziehschienen im Rack aus.

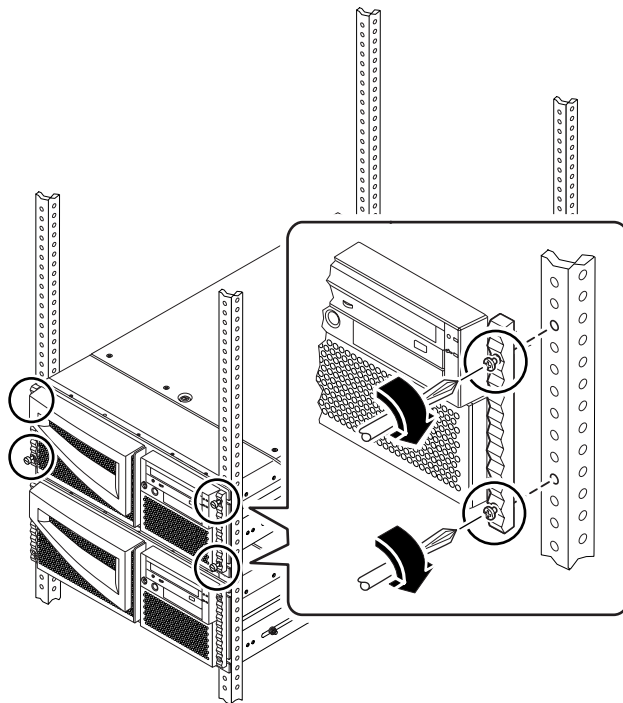


4. Schieben Sie den Server gleichmäßig in das Rack, bis sich der Gleitträger nicht weiter in die Ausziehschiene hineinschieben läßt.
5. Drücken Sie auf beiden Seiten des Chassis den Flachfederverschluß an die Gleitträger an, und schieben Sie den Server ganz in das Rack hinein.



6. Befestigen Sie das Chassis links und rechts an den vertikalen vorderen Montagestreben des Racks.

Ziehen Sie mit einem Kreuzschlitzschraubenzieher Nr. 2 die vier unverlierbaren Schrauben an, mit denen das System im Rack befestigt wird. Diese Schrauben sind in tiefliegende Bohrungen in den Zierblenden eingelassen, die an der Vorderseite des Systems befestigt sind (siehe Abbildung).



Hinweis – Wenn Sie die Seitenverkleidungen vom Rack abgenommen haben, bringen Sie diese noch nicht wieder an. Dies tun Sie erst, nachdem Sie die in Kapitel 3 erläuterten Arbeitsschritte ausgeführt haben.

Das weitere Vorgehen

Fahren Sie mit Kapitel 3 fort. Dort wird erläutert, wie Sie das Netzkabel und andere Kabel an der Rückseite des Systems anschließen, das System einschalten und das Betriebssystem installieren.

Installation des Systems

In diesem Kapitel wird beschrieben, wie Sie alle Kabel anschließen, die zum Betrieb des Servers benötigt werden. Einige Schritte der Software-Installation werden in diesem Kapitel erläutert. Darüber hinaus wird auf die Software-Handbücher verwiesen, in denen Sie alle weiteren Informationen finden.

Führen Sie die folgenden Arbeitsschritte aus, um die Installation des Systems abzuschließen:

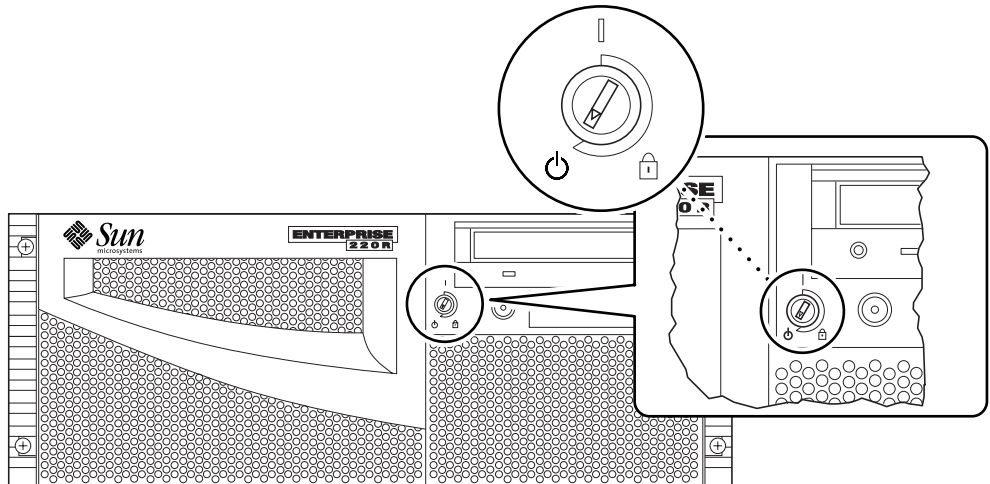
- „Anschließen des Netzkabels“ auf Seite de-22
- „Anschließen des Ethernet-Kabels“ auf Seite de-25
- „Installieren von Optionen“ auf Seite de-27
- „Installieren einer Systemkonsole“ auf Seite de-27
- „Abschließen der Rack-Montage“ auf Seite de-31
- „Einschalten des Systems“ auf Seite de-31
- „Installieren des Betriebssystems“ auf Seite de-34
- „Installieren der Online-Dokumentation“ auf Seite de-34

Wenn Sie das System ausschalten müssen, schlagen Sie im folgenden Handbuch nach:

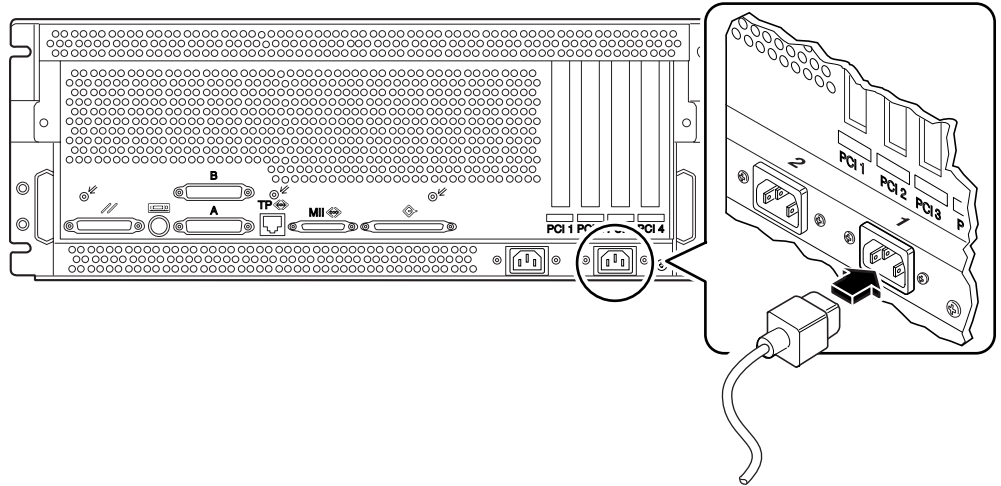
- *Sun Enterprise 220R-Server Benutzerhandbuch*

Anschließen des Netzkabels

1. Stellen Sie den Schlüsselschalter an der Vorderseite des Systems in die Position „Standby“.



2. Schließen Sie das Netzkabel an die rechte, mit 1 gekennzeichnete Netzbuchse an.mon
an der Rückseite des Systems an.mon



3. Schließen Sie das andere Ende des Netzkabels an ein Stromverteilungsmodul im Rack oder eine Netzsteckdose an.

Informationen zum Stromverteilungsmodul finden Sie in den mit dem Rack gelieferten Anweisungen. Über die Netzsteckdose muß das System mit einem 15-A-Stromkreis (Nordamerika und Japan) bzw. einem 10-A-Stromkreis (Europa) verbunden werden.

Hinweis – Wenn der Server mit einem zweiten Netzteil ausgestattet ist, schließen Sie das zweite Netzkabel an die linke, mit 2 gekennzeichnete Netzbuchse an. Sie können das zweite Netzteil an denselben Stromkreis wie das erste anschließen. Eine höhere Systemredundanz ist jedoch gegeben, wenn Sie die beiden Netzteile an unterschiedliche Stromkreise anschließen.

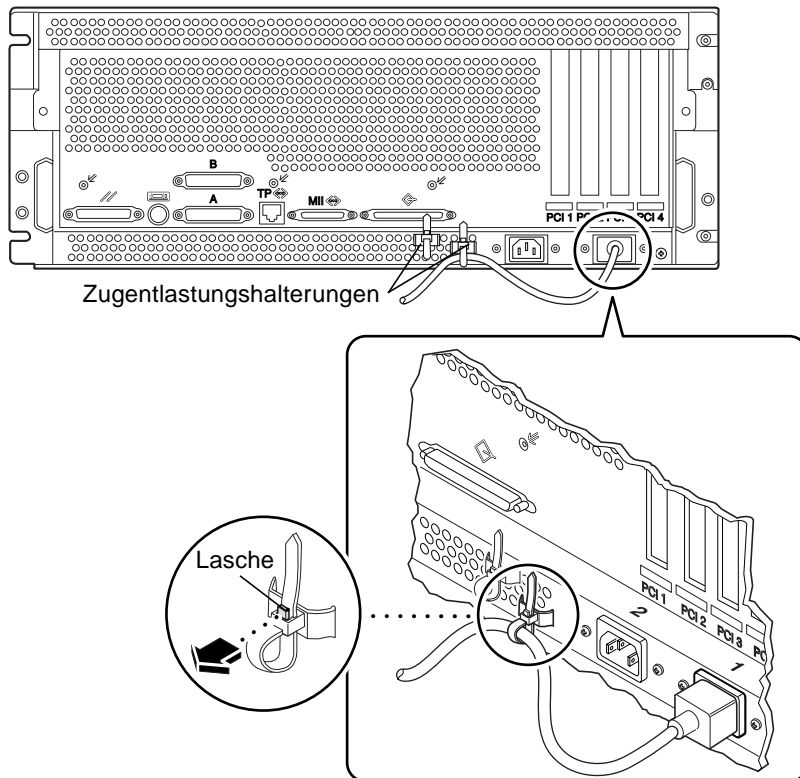
Hinweis – Das System kann mit IT Power Systems eingesetzt werden.

4. Befestigen Sie das/die Netzkabel an der/den Zugentlastungshalterung/en an der Rückseite.

Der Sun Enterprise 220R-Server wird mit zwei Zugentlastungshalterungen geliefert, die an der Rückseite des Systems angebracht sind. Eine Zugentlastungshalterung ist ein Kunststoffkabelbinder auf einem Sockel, der in die Rückseite des Systems eingesetzt ist. Wenn Sie die Netzkabel an diesen Halterungen befestigen, lassen sie sich besser handhaben, wenn Sie das System in das Rack schieben oder daraus hervorziehen.

Zum Befestigen des Netzkabels führen Sie das lose Ende des Kabelbinders um das Kabel und dann in die Öffnung im Sockel der Zugentlastungshalterung ein. Ziehen Sie den Kabelbinder am losen Ende fest an.

Zum Lösen des Netzkabels drücken Sie die Lasche am Sockel der Zugentlastungshalterung nach unten und lösen den Kabelbinder.



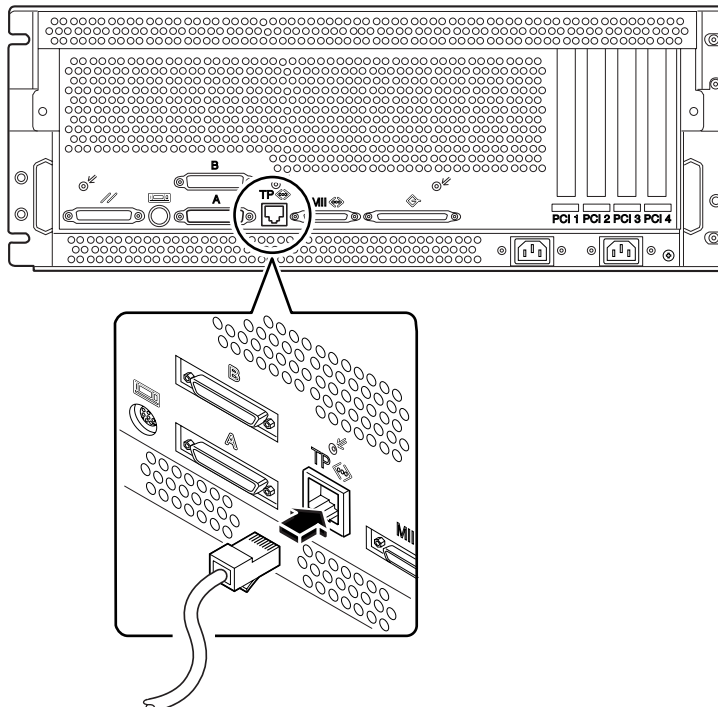
Anschließen des Ethernet-Kabels

Schließen Sie nicht mehr als ein Ethernet-Kabel an den Standard-Ethernet-Anschluß an der Rückseite des Systems an, also entweder ein Twisted-Pair-Ethernet-Kabel (TPE) oder einen MII-Transceiver (Media Independent Interface). Zusätzliche Ethernet-Verbindungen können Sie herstellen, wenn Sie weitere PCI-Ethernet-Karten installieren.

Sun Microsystems bietet einen MII-zu-AUI-Transceiver als gesondert erhältliche Option an. Außerdem sind eine Reihe von MII-Transceivern von Fremdherstellern für den Anschluß an Ethernet-Netzwerke des Typs TX, T4, FX und AUI erhältlich. Weitere Informationen finden Sie im *Sun Enterprise 220R Server Benutzerhandbuch*.

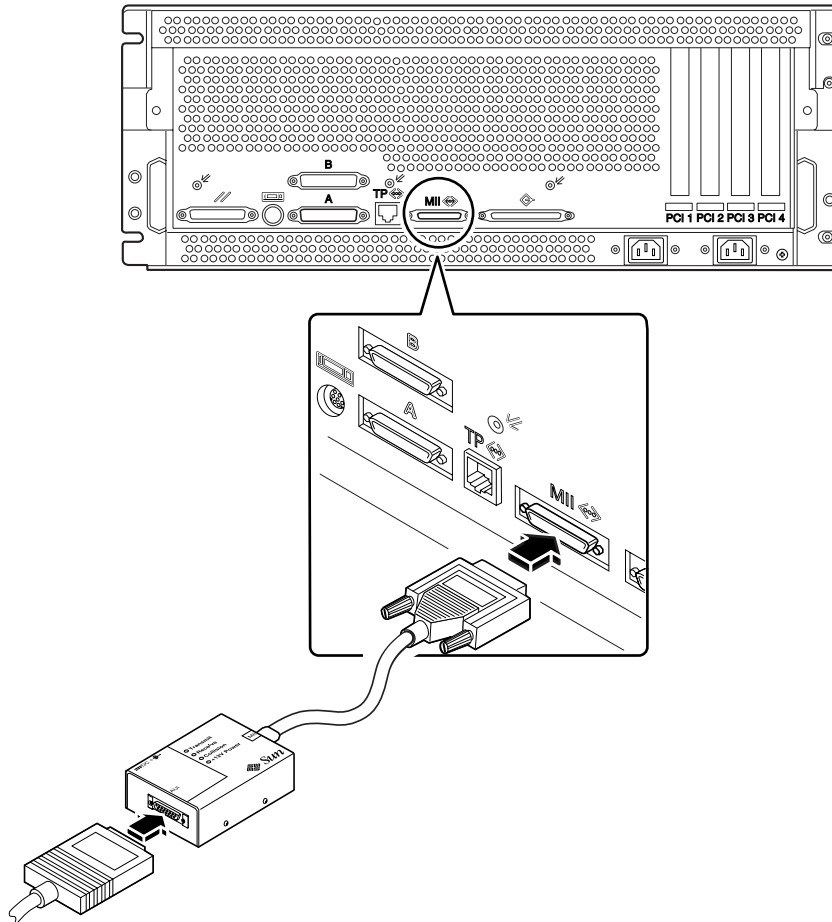
1. So schließen Sie ein TPE-Kabel an:

- a. Schließen Sie das TPE-Kabel an den RJ-45-Anschluß an der Rückseite des Systems an.
- b. Schließen Sie das andere Ende des Kabels an die TPE-Steckdose in der Wand oder im Boden an.



2. So schließen Sie einen MII-Transceiver an:

- a. Schließen Sie den MII-Transceiver an den MII-Ethernet-Anschluß an der Rückseite des Systems an.**



- b. Verbinden Sie das Netzwerk-AUI-Kabel mit dem AUI-Anschluß am MII-Transceiver. Verriegeln Sie den AUI-Anschluß.**

Schieben Sie die Verriegelung nach rechts, um das AUI-Kabel fest mit dem MII-zu-AUI-Transceiver zu verbinden. Verwenden Sie gegebenenfalls einen Flachsraubenzieher.

- c. Verbinden Sie den MII-Transceiver am anderen Ende mit einem geeigneten Netzwerkkabel.**

Installieren von Optionen

Viele der mit dem System bestellten Optionen werden bereits werkseitig im System installiert. Informationen zum Installieren weiterer Optionen finden Sie im *Sun Enterprise 220R Server Service Manual*, oder wenden Sie sich an einen qualifizierten Sun-Kundendienst. Informationen zur Installation zusätzlicher interner Festplattenlaufwerke finden Sie im *Sun Enterprise 220R-Server Benutzerhandbuch*.

Installieren einer Systemkonsole

Zur Installation der Server-Software sowie für die Fehlerdiagnose benötigen Sie eine Möglichkeit, Systembefehle einzugeben und die Systemausgaben anzuzeigen. Sie haben dazu die folgenden Möglichkeiten:

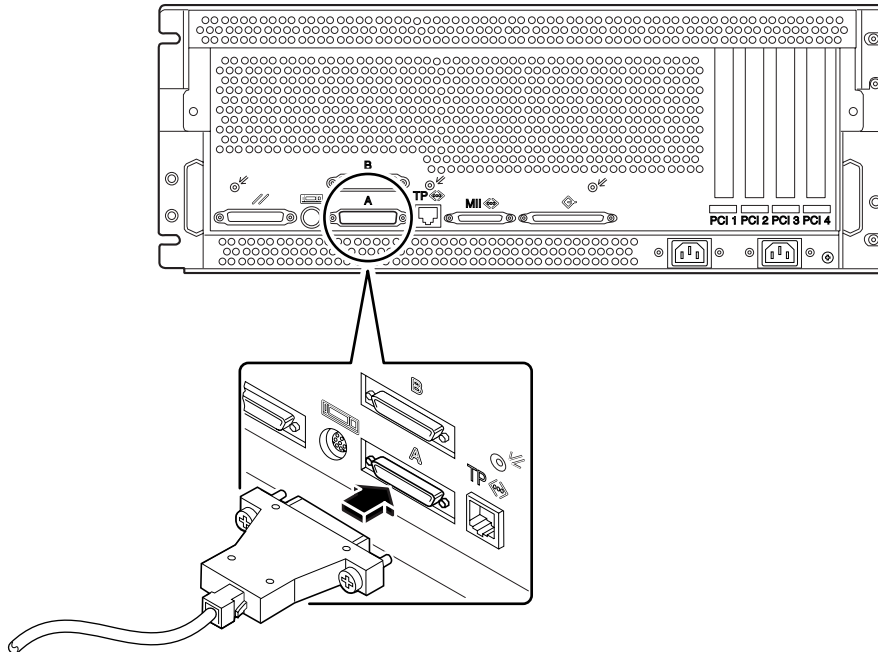
- Richten Sie eine `tip`-Verbindung von einem anderen Sun-System ein.
- Schließen Sie ein ASCII-Terminal an den seriellen Anschluß A an.
- Statten Sie den Server mit einer Grafikkarte, einem Monitor und einer Tastatur aus. Diese Komponenten werden nicht mit dem Server geliefert.

So richten Sie eine `tip`-Verbindung ein

Informationen zum Einrichten einer `tip`-Verbindung finden Sie im *Sun Enterprise 220R-Server Benutzerhandbuch*.

So schließen Sie ein ASCII-Terminal an

1. Schließen Sie das Datenkabel des Terminals an den seriellen Anschluß A an der Rückseite des Servers an.



2. Schließen Sie das Netzkabel des Terminals an eine geerdete Netzsteckdose an.
3. Stellen Sie am Terminal die Empfangsoptionen ein:
 - 9600 Baud
 - 8-Bit-Signal ohne Parität und 1 Stoppbit.

So installieren Sie eine Grafikkonsole

Zur Installation einer Grafikkonsole benötigen Sie eine PCI-Grafikkarte, einen Monitor und eine Sun-kompatible Tastatur, eine Maus und eine Mausunterlage. Diese Komponenten werden nicht mit dem System geliefert. Weitere Informationen finden Sie im *Sun Enterprise 220R-Server Benutzerhandbuch*.

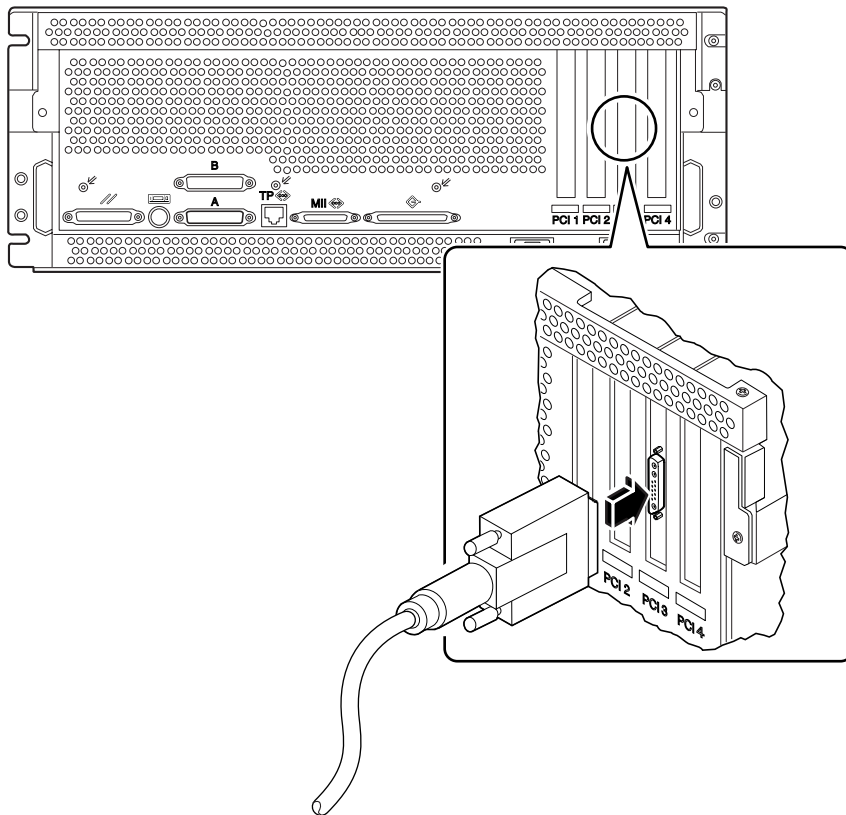
1. Installieren Sie die Grafikkarte in einem freien PCI-Steckplatz.

Näheres finden Sie im *Sun Enterprise 220R Server Service Manual*, oder wenden Sie sich an einen qualifizierten Sun-Kundendienst.

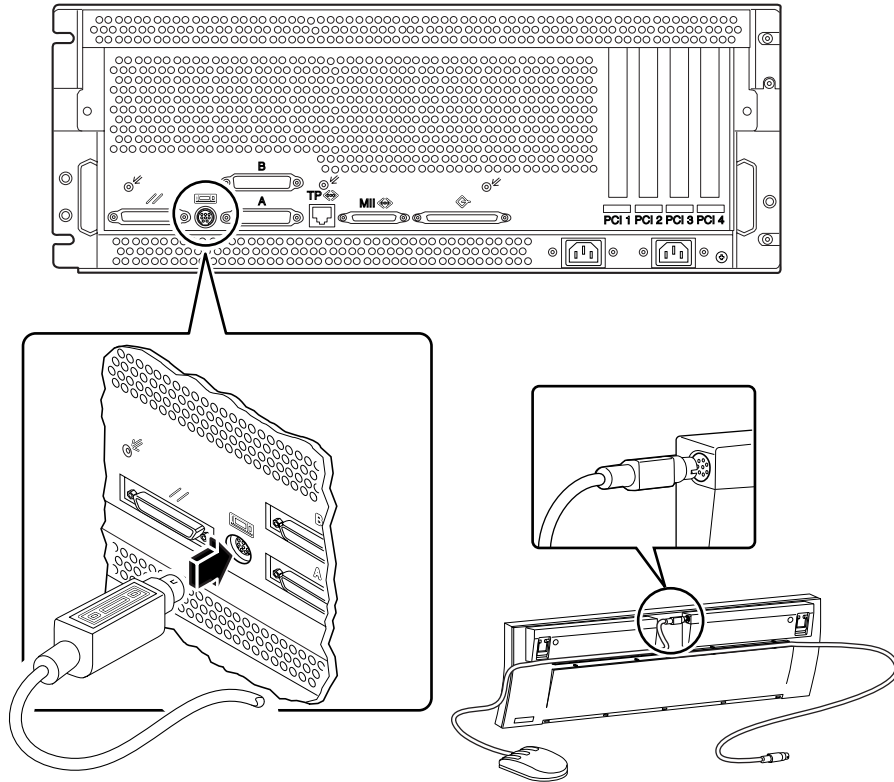
2. Schließen Sie das Videokabel des Monitors an den Videoanschluß der Grafikkarte an.

Ziehen Sie die Schrauben von Hand an, um eine sichere Verbindung zu gewährleisten.

3. Schließen Sie das Netzkabel des Monitors an eine geerdete Netzsteckdose an.



4. Schließen Sie die Maus an die Tastatur an.
5. Schließen Sie die Tastatur an das System an.



Abschließen der Rack-Montage

Näheres zu den folgenden Schritten finden Sie in den mit dem Rack gelieferten Anweisungen.

1. **Verlegen Sie die Kabel innerhalb des Racks.**
2. **Klappen Sie die Stabilisierungsständer (sofern vorhanden) ein.**
3. **Bringen Sie die Seitenverkleidungen (sofern vorhanden) wieder an.**
4. **Bringen Sie die Türen vorne und hinten (sofern vorhanden) wieder an.**

Einschalten des Systems



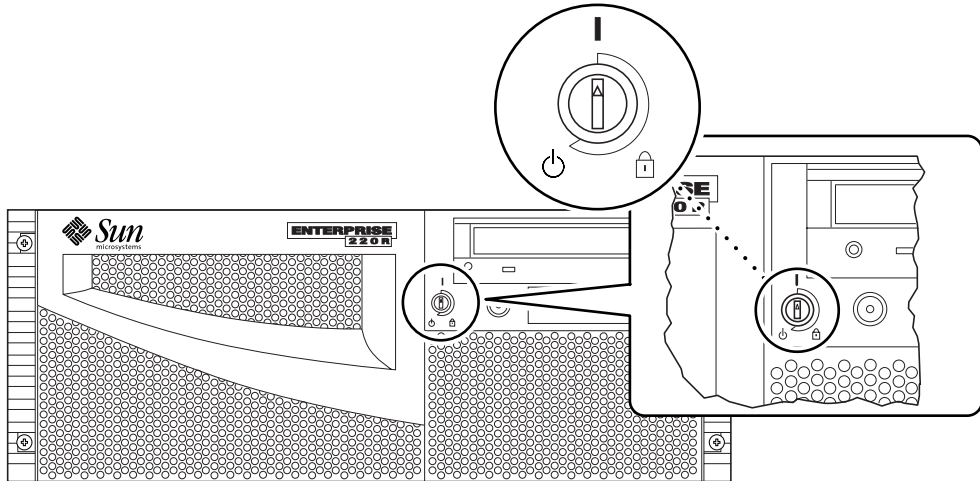
Achtung – Bewegen Sie das System unter keinen Umständen, solange es eingeschaltet ist. Andernfalls kann es zum Totalausfall von Festplattenlaufwerken kommen. Schalten Sie das System immer aus, bevor Sie es bewegen.



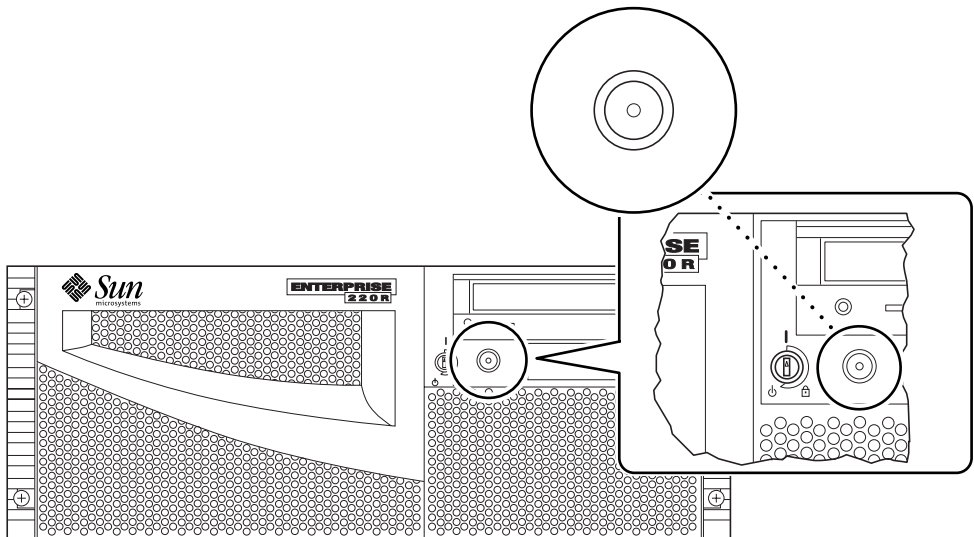
Achtung – Achten Sie darauf, die Abdeckung richtig zu installieren, bevor Sie das System einschalten.

1. **Schalten Sie alle Peripheriegeräte und externen Speichergeräte ein.**
2. **Schalten Sie den Monitor bzw. das Terminal ein (sofern vorhanden).**

3. Stellen Sie den Schlüsselschalter an der Vorderseite des Systems in die Position „Ein/Aus“.



4. Drücken Sie die Netztaste an der Vorderseite einmal.

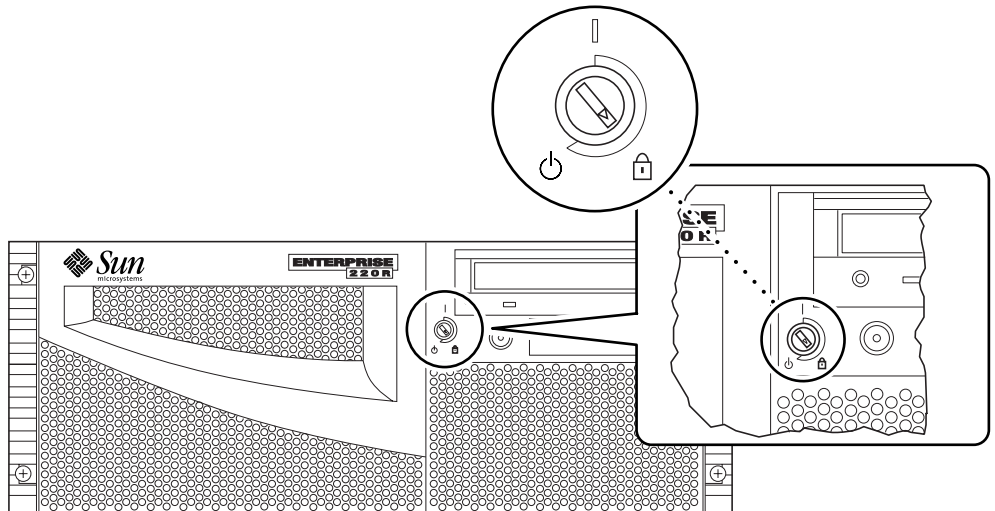


Hinweis – Es kann zwischen 30 Sekunden und bis zu zwei Minuten dauern, bevor ein Bild auf dem Systemmonitor angezeigt wird oder die Eingabeaufforderung OK auf dem angeschlossenen Terminal erscheint. Das hängt davon ab, welche Diagnosestufe beim Systemselbsttest nach dem Einschalten ausgeführt wird.

Hinweis – Wenn Sie das System ausschalten müssen, schlagen Sie weitere Informationen bitte im *Sun Enterprise 220R Server Benutzerhandbuch* nach.

5. Drehen Sie den Schlüsselschalter in die Position „Gesperrt“.

In dieser Position ist ein versehentliches Ausschalten des Systems ausgeschlossen.



Installieren des Betriebssystems

Wenn Sie die Betriebssystemumgebung Solaris 7 oder höher installieren, schlagen Sie die Installationsanweisungen in der Dokumentation zur Solaris™-Software sowie im *Sun Enterprise 220R-Server Benutzerhandbuch* nach.

Wenn Sie die Betriebssystemumgebung Solaris 2.6 Hardware 5/98 installieren, verwenden Sie die mit dem System gelieferte *Operating Environment Installation CD*. Während der Installation werden von dieser CD bestimmte Software-Patches zur Unterstützung von Solaris-Versionen mit einer CPU-Geschwindigkeit von 450 MHz installiert.

Die Solaris-Versionen an sich sind nicht auf dieser CD enthalten. Sie benötigen das Solaris-Media-Kit für die Betriebssystemumgebung Solaris 2.6 Hardware 5/98, um die eigentliche Solaris-Software zu installieren. An einem bestimmten Punkt während der Installation werden Sie über die *Operating Environment Installation CD* dazu aufgefordert, die Solaris-Software zu installieren

Diese CD ist nicht erforderlich, wenn Sie die Betriebssystemumgebung Solaris 7 oder höher installieren.

Installationsanweisungen finden Sie in dem Dokument, das mit der *Operating Environment Installation CD* geliefert wird.

Installieren der Online-Dokumentation

Das Dokumentations-Kit umfaßt eine CD-ROM mit Online-Dokumentation, in der die Verwendung, Wartung und Instandhaltung des Systems beschrieben sind. Die Installationsanweisungen finden Sie in den mit der CD-ROM gelieferten Dokumenten.

Anforderungen an das Rack

Der Server kann in ein 72 Zoll (184 cm) hohes Sun-Erweiterungsgehäuse oder ein anderes EIA-kompatibles Standard-Rack eingebaut werden, das die in der Tabelle unten aufgeführten Anforderungen erfüllt. Für jeden Server, den Sie in das Rack einbauen wollen, benötigen Sie ein Rack-Montage-Kit von Sun.

Merkmal des Racks	Anforderungen
Tragfähigkeit	Das Rack muß das Gewicht eines Sun Enterprise 220R-Servers (34 kg) plus der Rack-Montageteile plus aller anderen installierten Geräte sicher tragen können.
Einbaubreite	Pro Server sind für die Rack-Montage vier Rack-Einheiten (7 Zoll, 17,78 cm) in vertikaler Richtung erforderlich. In ein 72 Zoll (183 cm) hohes Rack können bis zu neun Server eingebaut werden.
Luftströmung	Für das System ist eine Luftströmung von 53 Litern pro Sekunde bei 40 °C auf einer Höhe von 3.000 Metern erforderlich. Diese Luftströmungsrate entspricht 149 kg/h bei beliebiger Höhe und 36 Litern pro Sekunde bei 40 °C auf Meereshöhe. Um eine ausreichende Lüftung sicherzustellen, ist für jedes System im Rack ein freier Luftereinlaßbereich von 181 cm ² an der Vorderseite des Systems und ein freier Luftauslaßbereich von 148 cm ² an der Rückseite des Systems erforderlich. Zwischen dem System und den Türen vorne und hinten (sofern vorhanden) muß ein Abstand von mindestens 3,8 cm frei bleiben.

Merkmal des Racks	Anforderungen
Vertikale Montagestreben	<p data-bbox="575 239 1229 319">Das Rack muß vorne und hinten mit je einem Paar vertikaler Montagestreben ausgestattet sein, die hinsichtlich der Abstände der Montagebohrungen dem EIA-Standard (RETMA) entsprechen.</p> <p data-bbox="575 352 1229 432">Der Abstand zwischen den Streben links und rechts (jeweils gemessen von der Mitte der Montagebohrungen aus) muß vorne und hinten 18,3 Zoll (46,5 cm) betragen.</p> <p data-bbox="575 465 1229 574">Der Abstand zwischen den Montagestreben vorne und hinten muß mindestens 26,875 Zoll (68,26 cm) und höchstens 34,875 Zoll (88,5 cm) betragen (gemessen von der Außenkante der vorderen Strebe bis zur Außenkante der hinteren Strebe).</p> <p data-bbox="575 607 1229 656">Die Montageflächen der vertikalen Streben vorne und hinten müssen zueinander und zur Vorderseite des Racks parallel sein.</p>
Türen und Verkleidungen	<p data-bbox="575 678 1229 788">Wenn Sie ein Sun-Erweiterungsgehäuse verwenden, lassen sich die vordere Tür und die Seitenverkleidungen abnehmen, so daß das System besser zugänglich ist. Andernfalls ziehen Sie bitte die mit dem Rack gelieferten Anweisungen zu Rate.</p>
Elektromagnetische Störung	<p data-bbox="575 810 1229 916">Die erforderliche Abschirmung vor elektromagnetischen Störungen ist über das System-Chassis und die Metallseitenverkleidungen gegeben, die angebracht werden, sobald das System in das Rack eingebaut wurde.</p>
Kippschutz	<p data-bbox="575 939 1229 1072">Das Rack muß fest am Boden verschraubt werden oder mit einem stabilen, ausklappbaren Stabilisierungsständer ausgestattet sein. Das Rack darf nicht nach vorne kippen, auch wenn mehrere Systeme bzw. Geräte vollständig nach vorne aus dem Rack herausgezogen sind.</p>
Mindestwartungsabstände	<p data-bbox="575 1095 1229 1175">Zu Installations- und Wartungszwecken muß vor dem Rack ein Bereich von mindestens 1 Meter Tiefe und 2 Metern Breite freibleiben.</p> <p data-bbox="575 1208 1229 1286">Wird das System auf den Auszugsschienen ganz nach vorne gezogen, ragt es 75,6 cm über die vorderen vertikalen Montagestreben des Racks hinaus.</p>
Feuerschutz	<p data-bbox="575 1308 1229 1387">Das Rack muß den Anforderungen der Underwriters Laboratories, Inc., und des TÜV Rheinland N.A. für den Feuerschutz entsprechen.</p>

Guida di installazione e montaggio in rack

Questa guida mostra come installare il server per gruppi di lavoro Sun Enterprise™ 220R in un cabinet di espansione Sun o in un'altra unità rack conforme EIA.

Il manuale illustra le operazioni e gli argomenti descritti di seguito:

- Operazioni preliminari - pagina it-2
 - Disiballaggio del sistema - pagina it-2
 - Verifica dei contenuti del kit - pagina it-3
- Installazione in rack - pagina it-7
 - Strumenti richiesti - pagina it-7
 - Precauzioni di sicurezza - pagina it-8
 - Preparazione dell'unità rack - pagina it-9
 - Collegamento delle staffe di montaggio ai gruppi di scorrimento - pagina it-10
 - Installazione dei gruppi di scorrimento nel rack - pagina it-13
 - Installazione del server nell'unità rack - pagina it-17
- Installazione del sistema - pagina it-21
 - Collegamento del cavo di alimentazione - pagina it-22
 - Collegamento del cavo Ethernet - pagina it-25
 - Opzioni di installazione - pagina it-27
 - Installazione di una console per il sistema - pagina it-27
 - Ripristino dell'unità rack - pagina it-31
 - Accensione del sistema - pagina it-31
 - Installazione del sistema operativo - pagina it-34
 - Installazione della documentazione in linea - pagina it-34
- Requisiti del rack - pagina it-35

Operazioni preliminari

Per installare un server Sun Enterprise, eseguire le operazioni a seguire nell'ordine elencato:

- Procedere al disimballaggio del sistema e controllare i contenuti del kit. Vedere il Capitolo 1.
- Montaggio in rack del server. Vedere il Capitolo 2.
- Configurazione e accensione del server e installazione del sistema operativo. Vedere il Capitolo 3.

Disiballaggio del sistema

Il sistema viene fornito dalla fabbrica con la maggior parte delle opzioni interne già installate. Le periferiche non installate in fabbrica sono fornite separatamente. Le istruzioni di disimballaggio sono stampate sulla superficie esterna dello scatolone contenente il prodotto.

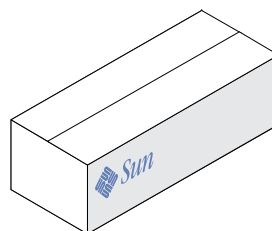
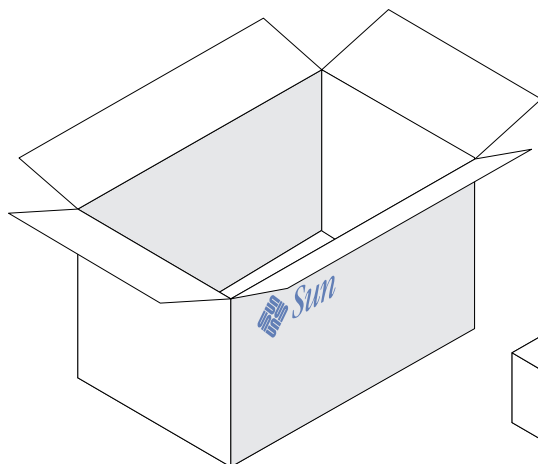
Si raccomanda di controllare i colli consegnati per verificare l'eventuale presenza di danneggiamenti. Qualora uno dei colli risultasse danneggiato, è consigliabile richiedere la presenza del personale incaricato del corriere all'apertura. Conservare tutti i contenuti e l'imballo stesso per consentirne l'ispezione da parte del corriere.

Controllare di aver ricevuto tutti gli elementi ordinati. Qualora mancassero dei materiali previsti, contattare immediatamente Sun Microsystems o il distributore/ rivenditore locale.

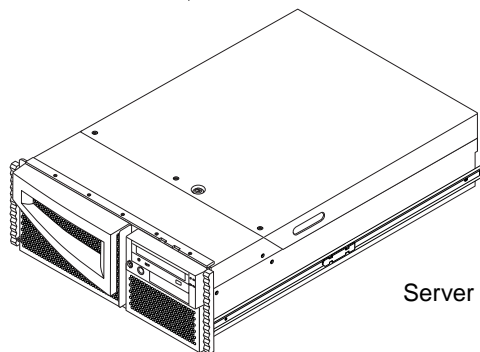
Verifica dei contenuti del kit

Lo scatolone consegnato deve contenere gli elementi elencati di seguito:

- Server per gruppi di lavoro Sun Enterprise 220R
- Scatola accessori.



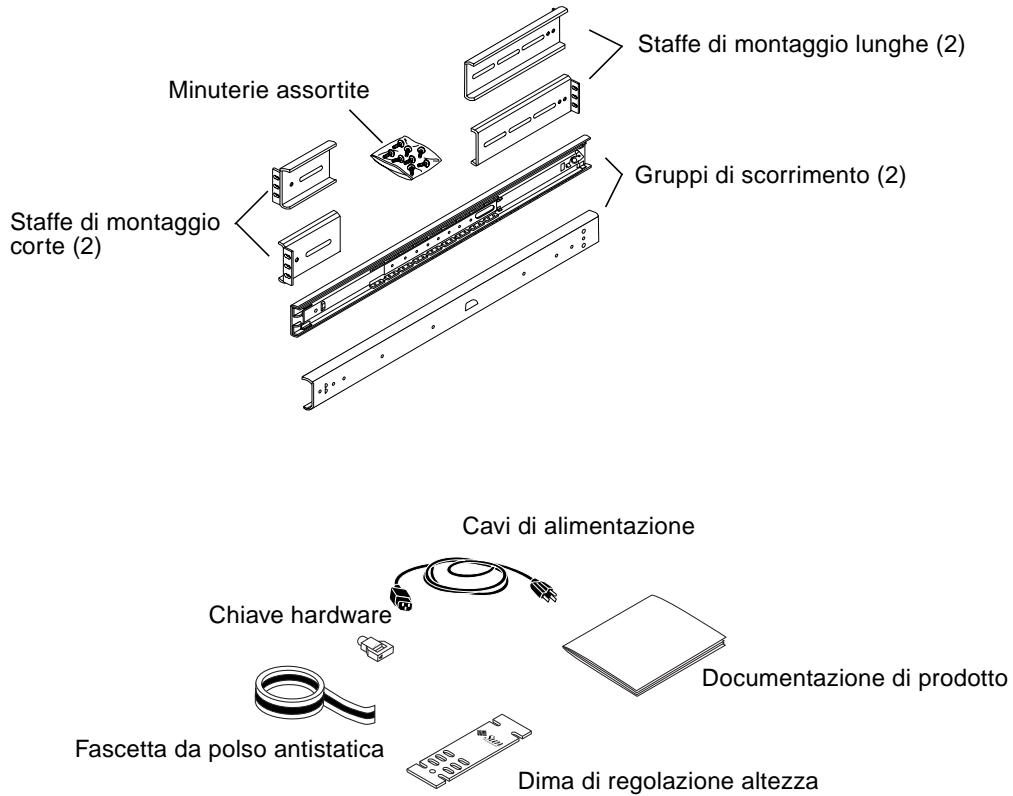
Scatola accessori



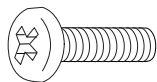
Server Sun Enterprise 220R

Contenuto della scatola accessori

La scatola degli accessori deve contenere i seguenti materiali:



Busta in plastica con minuterie assortite: viti, bulloni e rondelle, mostrati nelle dimensioni reali. Questi materiali sono necessari per installare le staffe di montaggio in rack e i gruppi di scorrimento.



viti
10-32 X 3/4 (8)



viti
8-32 X 3/8 (8)



rondelle
piatte (8)



rondelle (8)
di montaggio



dadi (8)

Nota – Per i rack privi di filettature, sono richiesti dadi con barra filettata (non inclusi nel kit). Per ulteriori informazioni, vedere le istruzioni fornite con l'unità rack. Nei rack Sun non vengono utilizzati dadi con barra filettata.

Installazione in rack

Questo capitolo fornisce istruzioni dettagliate per il montaggio in rack del server in un cabinet di espansione Sun in un'altra unità rack conforme EIA.

Per procedere al montaggio in rack del server Sun Enterprise 220R, completare le procedure seguenti nell'ordine elencato:

- "Preparazione dell'unità rack" a pagina it-9
- "Collegamento delle staffe di montaggio ai gruppi di scorrimento" a pagina it-10
- "Installazione dei gruppi di scorrimento nel rack" a pagina it-13
- "Installazione del server nell'unità rack" a pagina it-17

Il documento *Sun Enterprise 220R Server Panoramica del montaggio in rack* incluso nella documentazione del prodotto illustra le procedure di montaggio in rack in forma grafica. Questo capitolo fornisce invece informazioni dettagliate su ogni punto delle procedure.

Strumenti richiesti

- Cacciavite a stella n. 2
- Cacciavite a testa piatta
- Set di chiavi a brugola per rimuovere i pannelli laterali presenti in alcune unità rack
- Chiave inglese per serrare i dadi sulle staffe di montaggio.

Operazioni preliminari

- Disimballare il sistema e controllare i contenuti. Per ulteriori istruzioni, vedere il Capitolo 1.
- Aprire la scatola degli accessori e posizionare i gruppi di scorrimento, le staffe di montaggio, le viti e le rondelle su una superficie pulita.
- Controllare di disporre di tutti i componenti e delle minuterie come indicato in "Contenuto della scatola accessori" a pagina it-4.
- Leggere i requisiti dell'unità rack descritti nell'Appendice A di questa guida.
- Leggere le precauzioni di sicurezza riportate di seguito.

Precauzioni di sicurezza

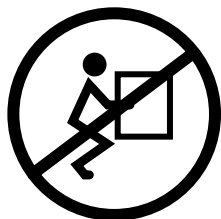
Per una descrizione completa delle precauzioni di sicurezza da seguire durante l'installazione di un server Sun Enterprise 220R, vedere il documento *Server Sun Enterprise 220R Manuale dell'utente*.



Attenzione – Installare il sistema nella posizione meno elevata possibile all'interno del rack. Per ottenere una stabilità ottimale, non installare comunque il sistema al di sopra di dispositivi di peso inferiore al server stesso.



Attenzione – In considerazione del peso del sistema, nelle procedure seguenti, è richiesto l'intervento di due persone per spostare il sistema. Sono inoltre necessarie due persone per allineare e installare i gruppi di scorrimento nel rack.





Attenzione – Per garantire una ventilazione adeguata, ogni sistema installato nell'unità rack deve disporre di 181 cm quadrati (28 pollici quadrati) di flusso di aerazione non ostacolato nella parte anteriore del server e di 148 cm quadrati (23 pollici quadrati) sul retro. Mantenere uno spazio minimo di 3,8 cm (1,5 pollici) tra il sistema ed eventuali sportelli anteriori o posteriori. Per ulteriori informazioni, vedere l'Appendice A.

Preparazione dell'unità rack

- 1. Aprire e rimuovere (se applicabile) gli sportelli anteriore e posteriore dell'unità rack.**
Per ulteriori dettagli, vedere le istruzioni fornite con l'unità rack.
- 2. Stabilizzare il rack estendendo gli appoggi di stabilizzazione o fissando il rack al suolo.**
Per ulteriori dettagli, vedere le istruzioni fornite con l'unità rack.
- 3. Se applicabile, rimuovere i pannelli laterali dall'unità rack.**
Per ulteriori dettagli, vedere le istruzioni fornite con l'unità rack. La rimozione dei pannelli laterali consente di accedere più agevolmente ai dadi e alle viti durante il fissaggio del sistema nell'unità rack.

Collegamento delle staffe di montaggio ai gruppi di scorrimento

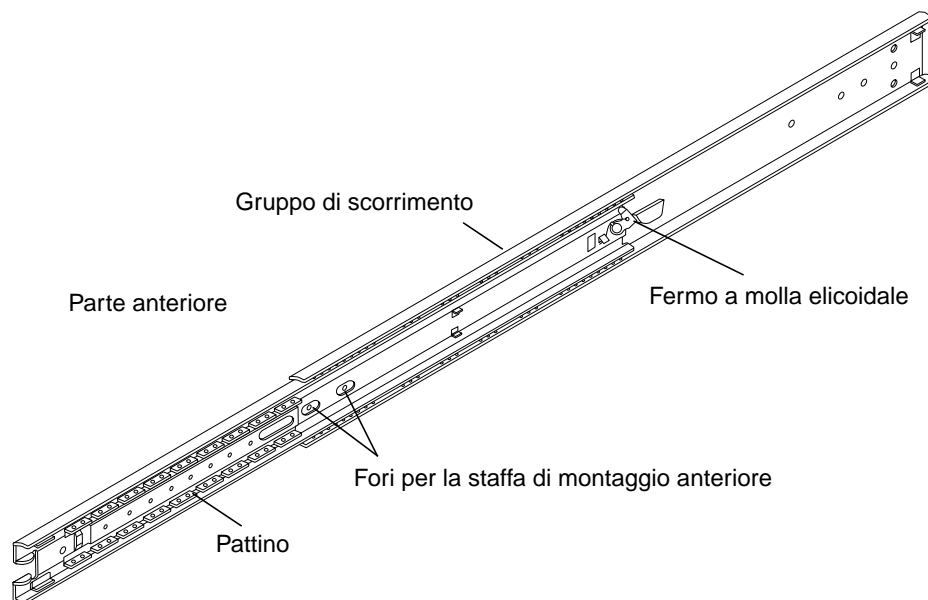
Collegare una staffa di montaggio lunga e una corta alla parte esterna di ciascuno dei gruppi di scorrimento.

Ripetere questa procedura per ognuno dei gruppi di scorrimento.

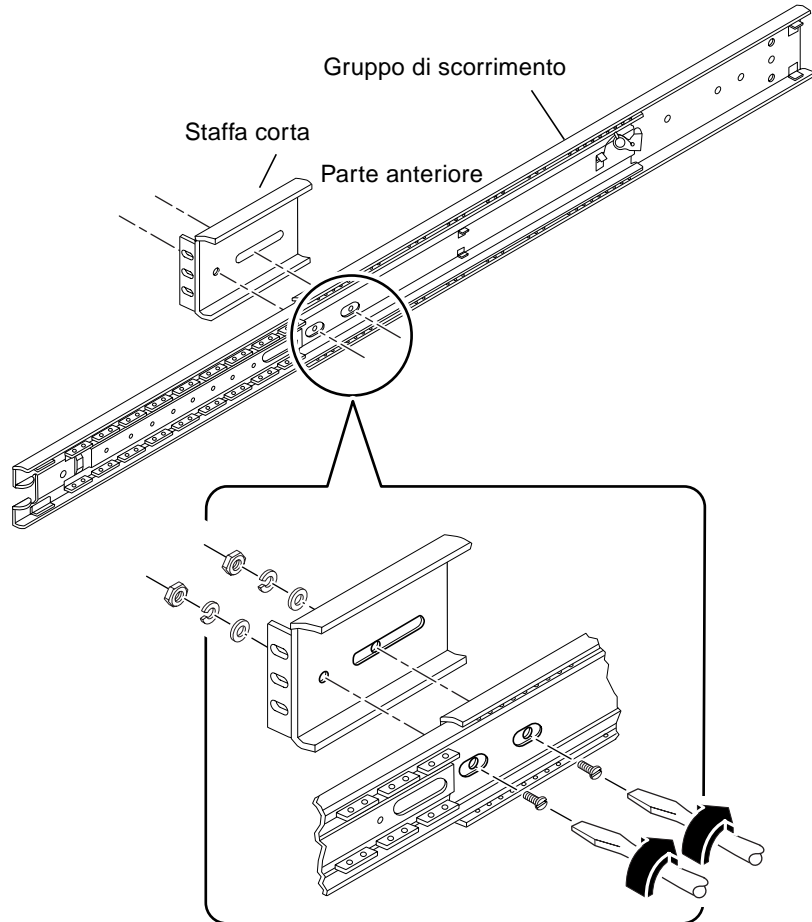
1. Collegare una staffa di montaggio corta alla parte anteriore di ogni gruppo di scorrimento.

a. Estendere il gruppo di scorrimento in modo da rendere accessibili i fori per la staffa di montaggio anteriore.

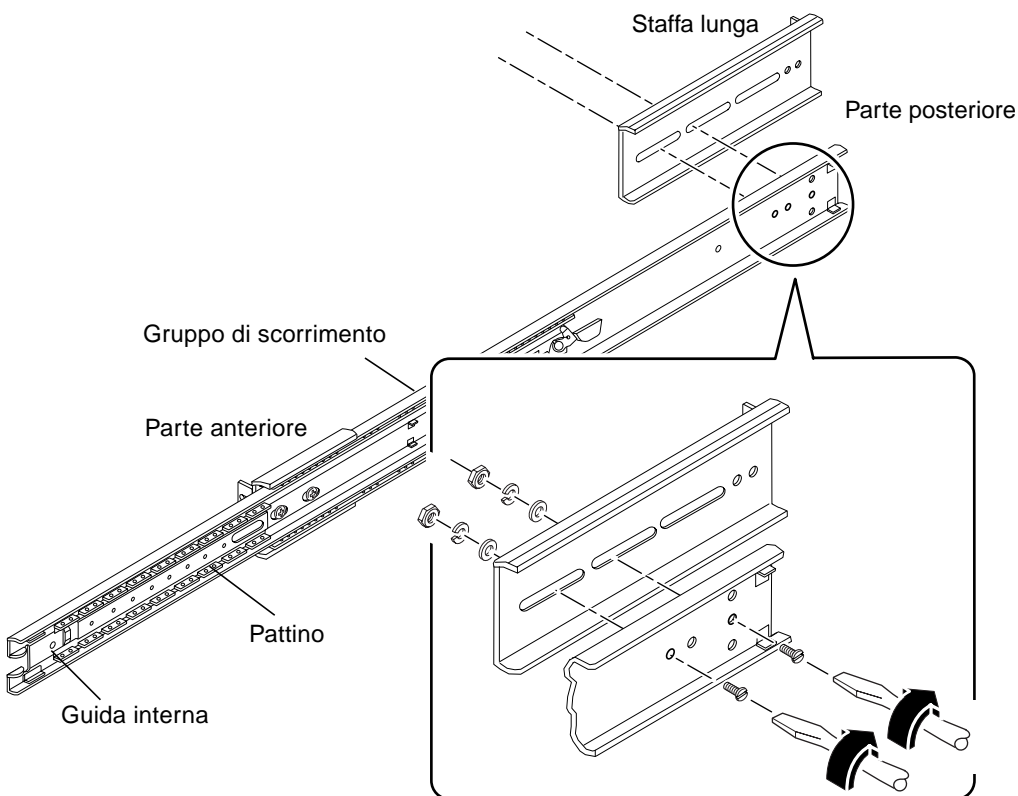
Per estendere il gruppo di scorrimento, rilasciare il fermo a molla elicoidale posto sulla guida interna.



- b. Posizionare una staffa corta sull'estremità anteriore del gruppo di scorrimento.**
Il bordo della staffa dovrà trovarsi di fronte alla parte anteriore del gruppo di scorrimento, come mostrato in figura.
- c. Fissare la staffa corta al gruppo di scorrimento. Utilizzare due viti a testa troncoconica 8-32 con una rondella piatta, una rondella di bloccaggio e un dado per ogni vite.**



- 2. Collegare una staffa di montaggio lunga alla parte posteriore di ogni gruppo di scorrimento.**
- a. Posizionare la staffa lunga sull'estremità posteriore del gruppo di scorrimento.**
Allineare i fori allungati posti in corrispondenza dell'estremità della staffa lunga sui fori del gruppo di scorrimento come mostrato in figura.
- b. Fissare la staffa lunga al gruppo di scorrimento in modo che abbia gioco.**
Utilizzare due viti a testa troncoconica 8-32, rondelle piatte, rondelle di bloccaggio e dadi per ogni staffa lunga.
Non serrare completamente le viti. Potrebbe infatti risultare necessaria la regolazione della staffa di montaggio durante l'installazione del gruppo di scorrimento nell'unità rack.



- 3. Spingere dentro la guida interna e il pattino di ogni gruppo di scorrimento.**
- a. Spingere la guida interna nel gruppo di scorrimento fino a fine corsa.**
Se necessario, rilasciare il fermo a molla elicoidale.
- b. Spingere il pattino fino al suo bloccaggio.**

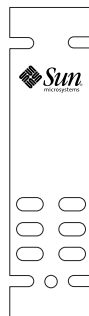
Installazione dei gruppi di scorrimento nel rack

1. Individuare e marcare le posizioni corrette sulle guide di montaggio verticali del rack per installare i gruppi di scorrimento.

Per ogni server è necessario riservare quattro spazi del rack (pari a 17,78 cm/7,0 pollici) oppure 12 fori. Poiché i fori di un rack standard sono organizzati in set di 3, posti a una distanza di 5/8, 5/8 e 4/8 di pollice tra loro, per determinare quali fori usare per l'inserimento di un gruppo di scorrimento è necessario stabilire con precisione la collocazione del sistema.

È possibile procedere sia contando i fori in modo che ogni gruppo di scorrimento sia installato nel rack alla stessa altezza per quanto riguarda le parti anteriore-posteriore ed entrambi i lati oppure avvalersi della dima di regolazione altezza inclusa con la documentazione del sistema. Contrassegnare la posizione sull'unità rack utilizzando un pennarello o nastro adesivo.

Installare i gruppi di scorrimento nella posizione più in basso disponibile. Se si tratta del primo sistema da installare nel rack, utilizzare i fori 3 e 4 o 5. Installare gli altri server a partire dalla base verso l'alto.



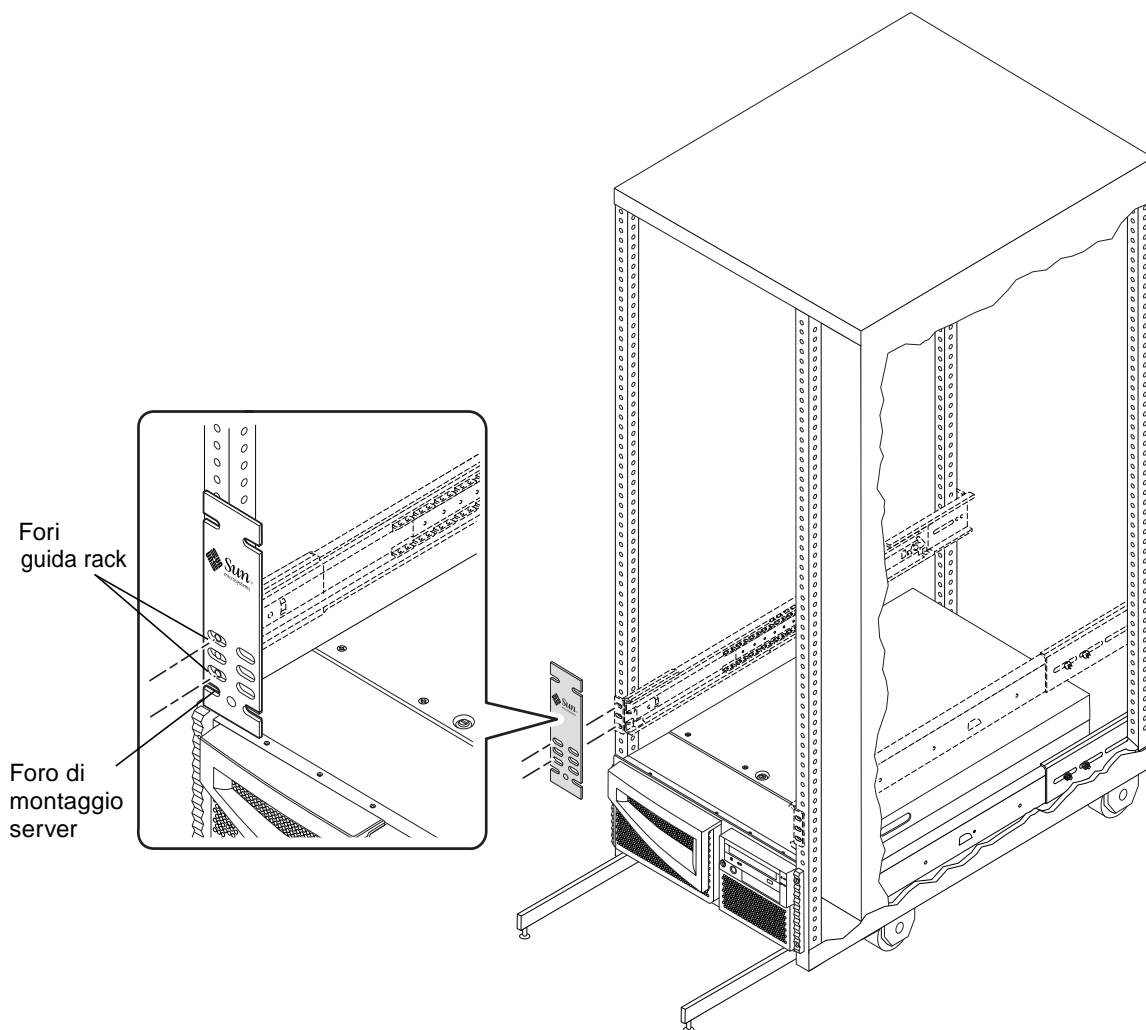
Dima di regolazione altezza

Per quanto riguarda invece l'uso della dima di regolazione altezza, attenersi alla procedura seguente:

- a. **Posizionare la dima di regolazione altezza sulla guida verticale anteriore sinistra del rack. Vedere la figura seguente.**
- b. **Portare la parte inferiore della dima di regolazione altezza sulla posizione esatta della guida del rack in cui si deve posizionare la parte inferiore del sistema.**
- c. **Regolare la dima di regolazione altezza in modo che la posizione di montaggio delle viti della parte inferiore del server sia centrata sullo spazio all'interno della dima di regolazione altezza.**

- d. Osservando attraverso i tre fori della dima di regolazione altezza, individuare i due fori della guida del rack maggiormente visibili dalla dima di regolazione altezza e contrassegnarli.

Utilizzare questi due fori della guida del rack per collegare il gruppo di scorrimento alla guida del rack. Per collegare il gruppo di scorrimento saranno necessari solo due dei tre fori. La staffa del gruppo dispone infatti di tre fori per ospitare le diverse spaziatore tra i fori della guida del rack. Contrassegnare i fori corrispondenti sulla guida verticale anteriore destra del rack.



2. Collegare un gruppo di scorrimento alla guida di montaggio destra del rack e l'altro alla guida sinistra. Vedere la figura seguente.

a. Con l'aiuto di un assistente, posizionare il gruppo di scorrimento sulla parte interna dell'unità rack con la staffa di montaggio corta di fronte alla parte anteriore del rack.

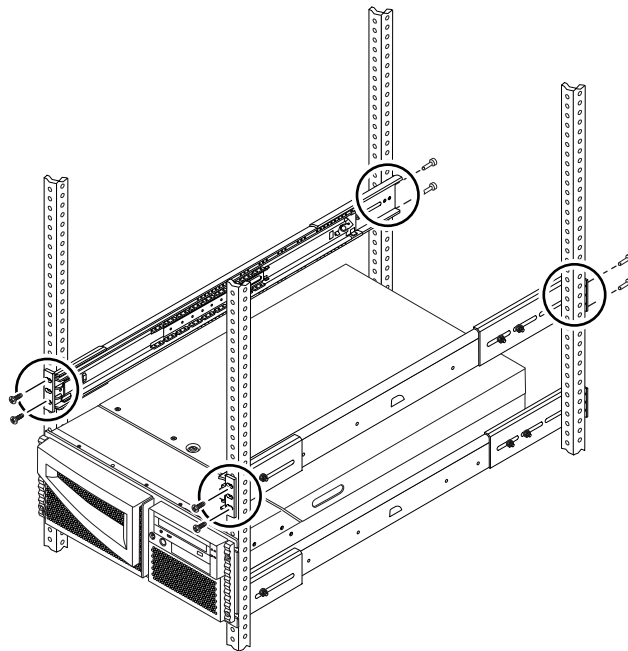
Contare i fori in modo che ogni gruppo di scorrimento risulti installato nel rack alla stessa altezza per quanto riguarda le parti anteriore-posteriore ed entrambi i lati oppure avvalersi della dima di regolazione altezza come descritto al Punto 1.

b. Collegare la staffa di montaggio anteriore corta di uno dei gruppi di scorrimento alla guida anteriore del rack.

Fissare il gruppo della staffa di scorrimento alla guida di montaggio anteriore avvalendosi di due viti a testa troncoconica e taglio a croce 10-32. Utilizzare i fori contrassegnati al Punto 1. Stringere le viti con le dita. Non serrare le viti completamente fino a che non sono state inserite tutte le viti e i gruppi di scorrimento non sono stati messi a livello.

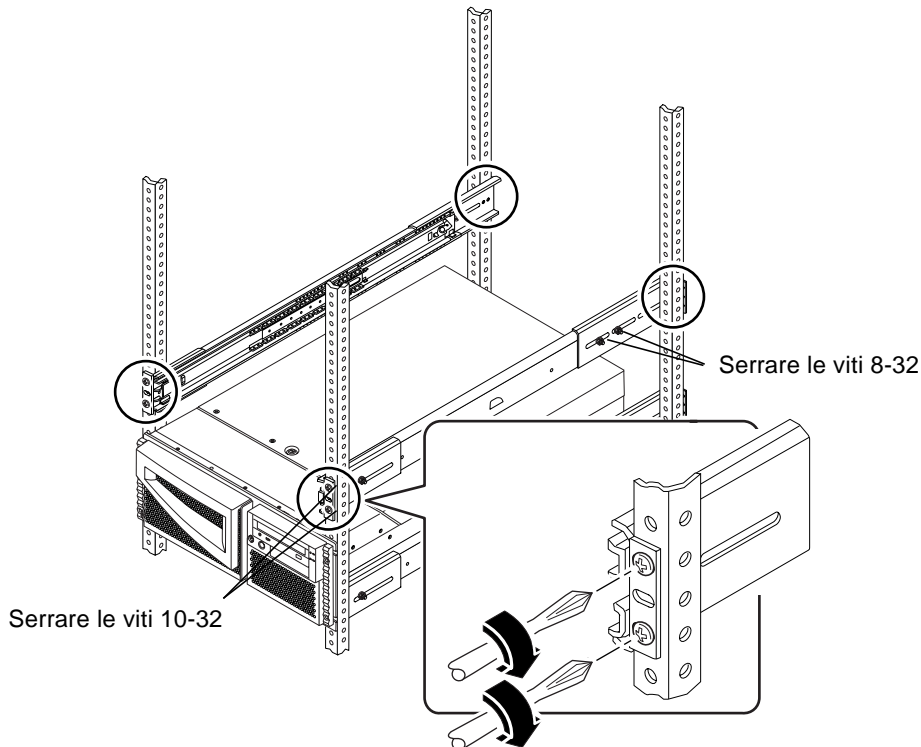
c. Collegare la staffa di montaggio lunga dello stesso gruppo di scorrimento alla guida posteriore del rack.

Fissare il gruppo della staffa di scorrimento alla guida di montaggio posteriore avvalendosi di due viti a testa troncoconica e taglio a croce 10-32. Stringere le viti con le dita. Non serrare le viti completamente fino a che non sono state inserite tutte le viti e i gruppi di scorrimento non sono stati livellati.



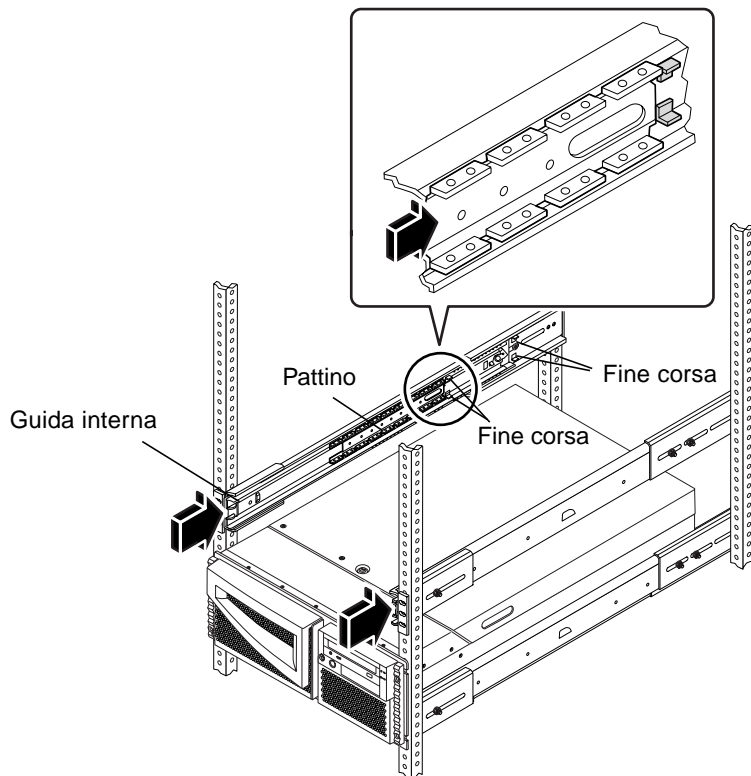
Nota – Potrebbe essere necessario far scorrere la staffa di montaggio posteriore in avanti o indietro sul gruppo di scorrimento per regolarla in base alla profondità del rack.

3. Serrare a fondo tutte le viti fornite per il montaggio in rack.
 - a. Assicurarci che i gruppi di scorrimento siano allo stesso livello per quanto riguarda la parte anteriore-posteriore e da sinistra a destra.
 - b. Serrare le otto viti 10-32 che fissano le staffe di montaggio lunghe e corte alle guide verticali del rack.
 - c. Serrare le quattro viti 8-32 che fissano le staffe di montaggio lunghe ai gruppi di scorrimento.



Installazione del server nell'unità rack

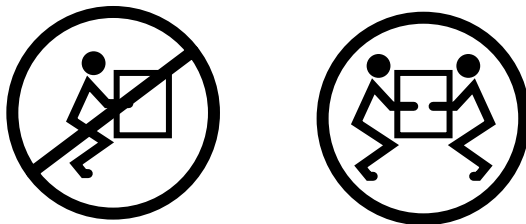
1. Verificare che il pattino di ogni gruppo di scorrimento si trovi nella posizione più arretrata possibile entro il gruppo di scorrimento stesso, come mostrato in figura.
 - a. Spingere la guida interna entro ciascuno dei gruppi di scorrimento fino a che non raggiunge i fine corsa collocati nella posizione più lontana dalla parte anteriore del rack.
 - b. Spingere il pattino fino al suo bloccaggio all'interno del gruppo di scorrimento.



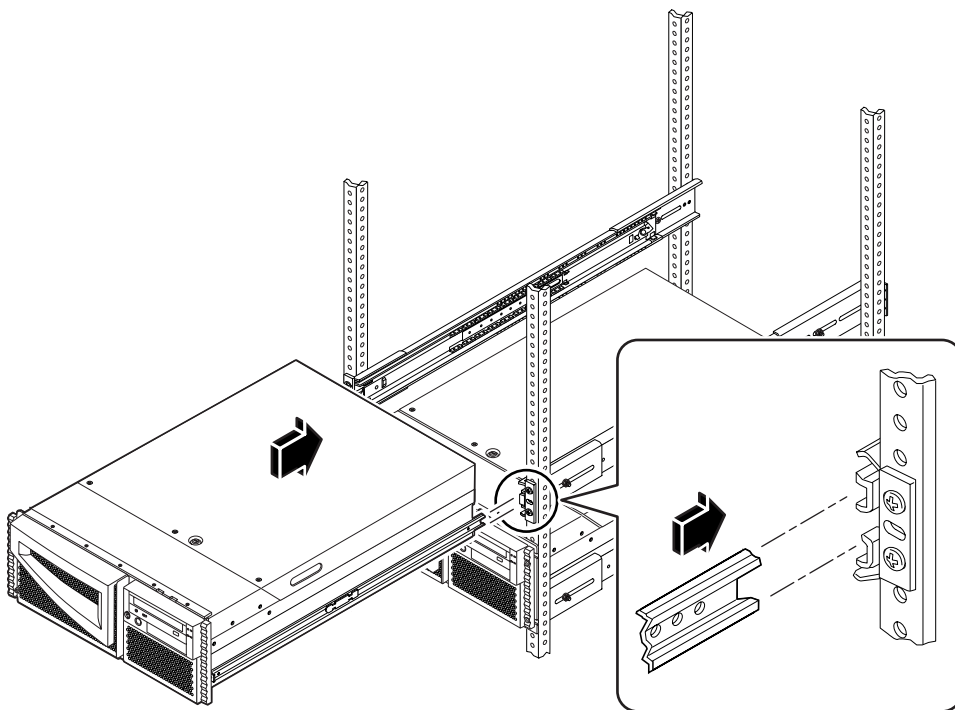
2. Sollevare il server (una persona per lato) e avvicinarsi all'unità rack con la parte posteriore del server posta di fronte all'unità rack.



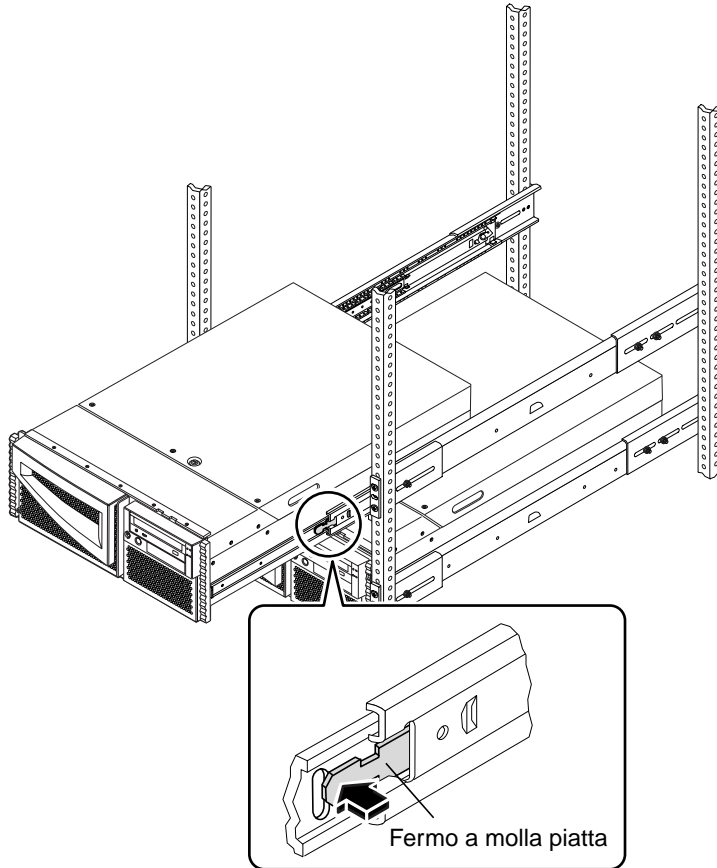
Attenzione – Il sistema è di peso ingente. Per spostarlo, è richiesto l'intervento di due persone.



3. Allineare l'estremità bloccata delle guide di scorrimento interne sul server con i gruppi delle staffe di scorrimento nell'unità rack.

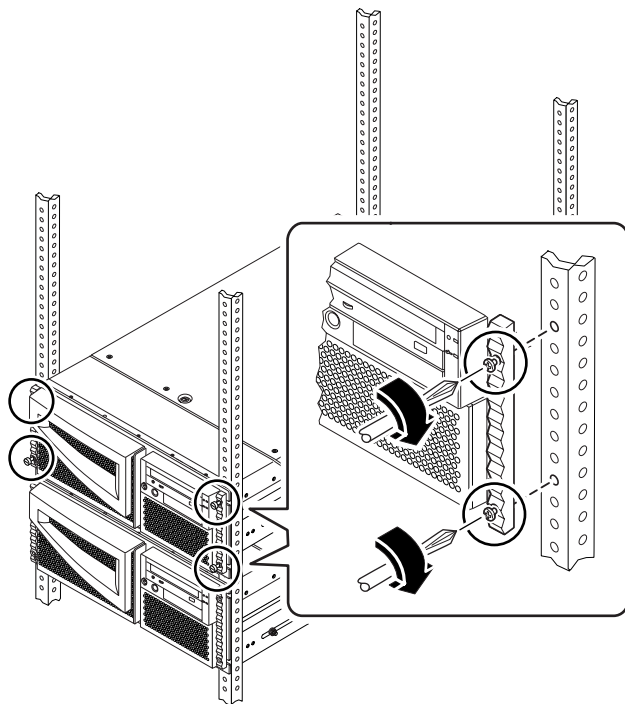


4. Far scorrere il server nell'unità rack fino a che le guide di scorrimento interne non si bloccano nel gruppo.
5. Su ciascuno dei lati del telaio, spingere il fermo a molla piatta di ogni guida di scorrimento interna e spingere il server fino in fondo nel rack.



6. Fissare il telaio alle guide verticali sinistra e destra poste sulla parte anteriore del rack.

Avvalersi di un cacciavite a stella n. 2 per serrare le quattro viti prigioniere che fissano il sistema all'interno dell'unità rack. Queste viti vanno collocate in fori di accesso rientrati nei pannelli decorativi affissi al pannello anteriore del sistema, come mostrato in figura.



Nota – Se si sono rimossi i pannelli laterali dall'unità rack, non rimontarli in sede fino al completamento delle procedure descritte nel Capitolo 3.

Argomenti successivi

Passare al Capitolo 3 e completare le procedure di collegamento del cavo di alimentazione e degli altri cavi sul pannello posteriore, quindi procedere all'accensione del sistema e all'installazione del sistema operativo.

Installazione del sistema

Questo capitolo spiega come collegare tutti i cavi di alimentazione e gli altri cavi necessari per attivare il sistema e renderlo operativo. Per quanto riguarda la parte software, questo capitolo indica alcune delle operazioni che devono essere eseguite e rimanda ai manuali software appropriati per il resto delle informazioni necessarie.

Per completare l'installazione del sistema, eseguire le procedure seguenti:

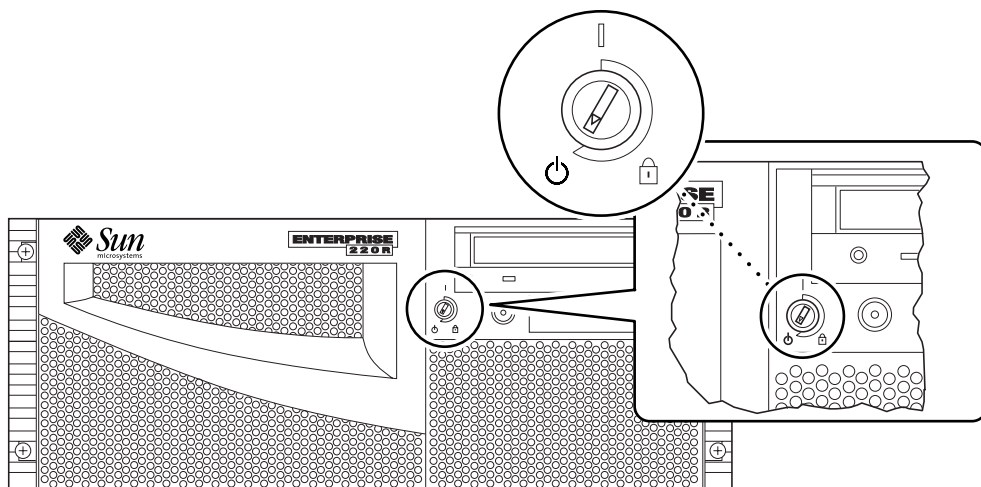
- "Collegamento del cavo di alimentazione" a pagina it-22
- "Collegamento del cavo Ethernet" a pagina it-25
- "Opzioni di installazione" a pagina it-27
- "Installazione di una console per il sistema" a pagina it-27
- "Ripristino dell'unità rack" a pagina it-31
- "Accensione del sistema" a pagina it-31
- "Installazione del sistema operativo" a pagina it-34
- "Installazione della documentazione in linea" a pagina it-34

Per spegnere il sistema, vedere il documento:

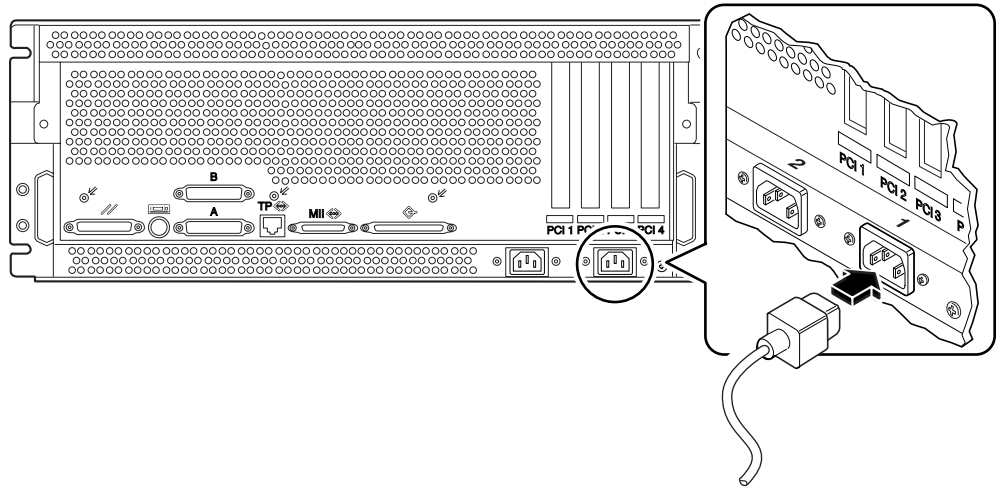
- *Server Sun Enterprise 220R Manuale dell'utente*

Collegamento del cavo di alimentazione

1. Portare l'interruttore a chiave posto sul pannello anteriore nella posizione Standby (Attesa).



2. Collegare il cavo di alimentazione CA alla presa di alimentazione destra contrassegnata dall'etichetta 1 e posta sul retro del sistema.



3. Collegare l'altra estremità del cavo di alimentazione CA al sequenziatore di potenza dell'unità rack o a una presa CA.

Per ulteriori informazioni sul sequenziatore di potenza, vedere le istruzioni fornite con l'unità rack. La presa deve collegare il sistema a un circuito da 15 A per quanto riguarda il Nord America e il Giappone oppure a un circuito da 10 A per l'Europa.

Nota – Se il server comprende un secondo alimentatore, collegare il secondo cavo di alimentazione CA alla presa di alimentazione di sinistra contrassegnata dall'etichetta 2. È possibile collegare il secondo alimentatore allo stesso circuito CA del primo alimentatore. Tuttavia, per aumentare la ridondanza del sistema, si consiglia di collegare i due alimentatori a due circuiti separati.

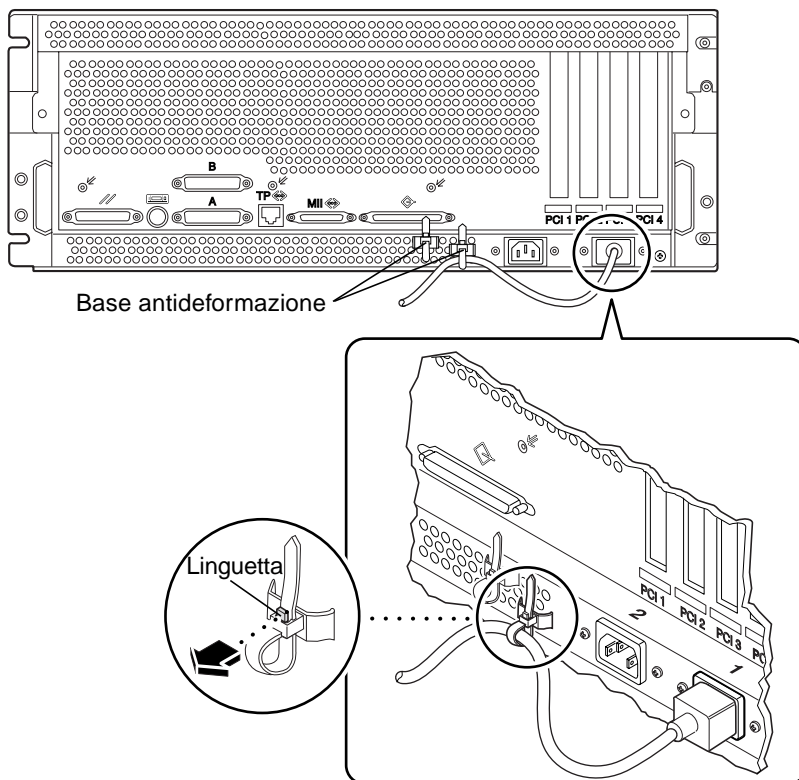
Nota – Il sistema è adatto per l'uso con IT Power Systems (Sistemi di alimentazione IT).

4. Avvolgere i cavi di alimentazione alle fascette per cavi antideformazione sul pannello posteriore.

Il server Sun Enterprise 220R viene fornito comprensivo di due fascette per cavi antideformazione collegate al pannello posteriore. Si tratta di fascette stringicavi in plastica poste su una base inserita nel pannello posteriore del sistema. Avvalersi di queste fascette per organizzare i cavi di alimentazione mentre si fa scorrere il sistema per inserirlo o estrarlo dall'unità rack.

Per applicare la fascetta a un cavo di alimentazione, avvolgere l'estremità libera della fascetta attorno al cavo, quindi inserirla nell'apertura sulla base antideformazione. Tirare l'estremità per stringere la fascetta.

Per rilasciare la fascetta dal cavo di alimentazione, premere la linguetta posta sulla base antideformazione e allentare la fascetta.



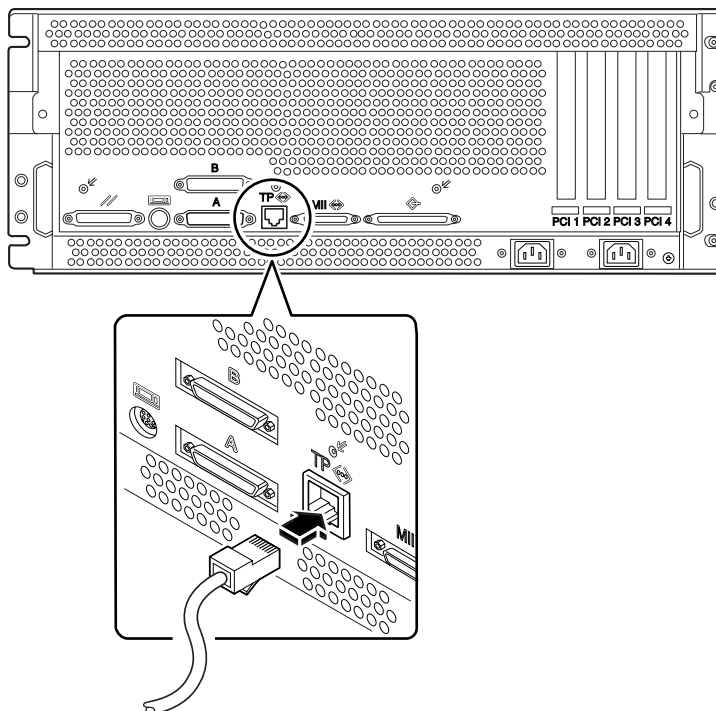
Collegamento del cavo Ethernet

Collegare solo un cavo Ethernet alla porta Ethernet standard posta sul retro del sistema, — un cavo del tipo twisted-pair (TPE) o un transceiver MII (Media Independent Interface). Per realizzare connessioni Ethernet aggiuntive è possibile procedere installando schede Ethernet PCI.

Sun Microsystems offre un transceiver MII-AUI come opzione ordinabile separatamente. Per il collegamento alle reti Ethernet di tipo TX, T4, FX e AUI sono inoltre disponibili anche transceiver MII di terze parti. Per ulteriori informazioni, vedere il documento *Server Sun Enterprise 220R Manuale dell'utente*.

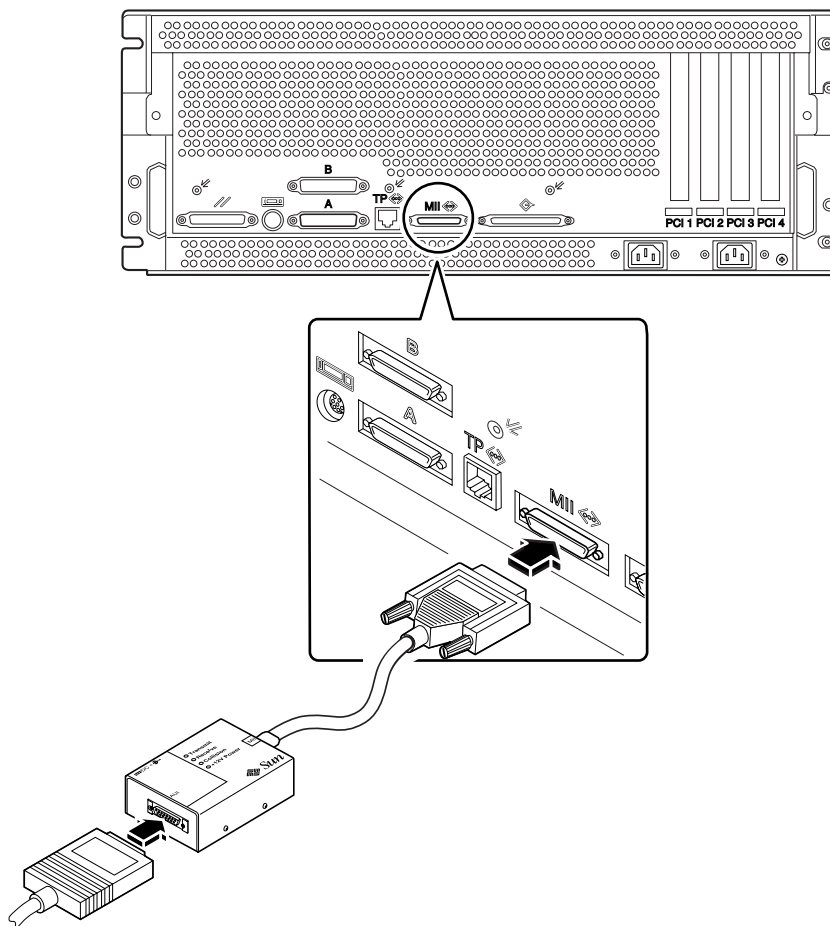
1. Procedere come segue per collegare il cavo TPE:

- a. Collegare il cavo TPE al connettore RJ-45 posto sul pannello posteriore del sistema.
- b. Collegare l'altra estremità del cavo alla presa TPE a parete o sul pavimento.



2. Procedere come segue per collegare il transceiver MII:

- a. Collegare il transceiver MII al connettore Ethernet MII posto sul pannello posteriore del sistema.**



- b. Collegare il cavo AUI di rete al connettore AUI sul transceiver MII. Bloccare il connettore AUI.**

Fare scorrere il fermo verso destra per bloccare il cavo AUI al transceiver MII-AUI. Se necessario, aiutarsi con un cacciavite a lama.

- c. Collegare l'altra estremità del transceiver MII al cavo di rete appropriato.**

Opzioni di installazione

Molte delle opzioni ordinate con il sistema vengono preinstallate in fabbrica. Per ulteriori informazioni su come installare le altre opzioni, vedere il documento *Sun Enterprise 220R Server Service Manual* o contattare il fornitore di servizi Sun di fiducia. Per ulteriori informazioni sull'installazione di unità disco interne aggiuntive, vedere il documento *Server Sun Enterprise 220R Manuale dell'utente*.

Installazione di una console per il sistema

Per installare il software server o per diagnosticare un problema, è necessario disporre di un metodo per immettere comandi e visualizzare l'output del sistema. È possibile procedere in uno dei modi seguenti:

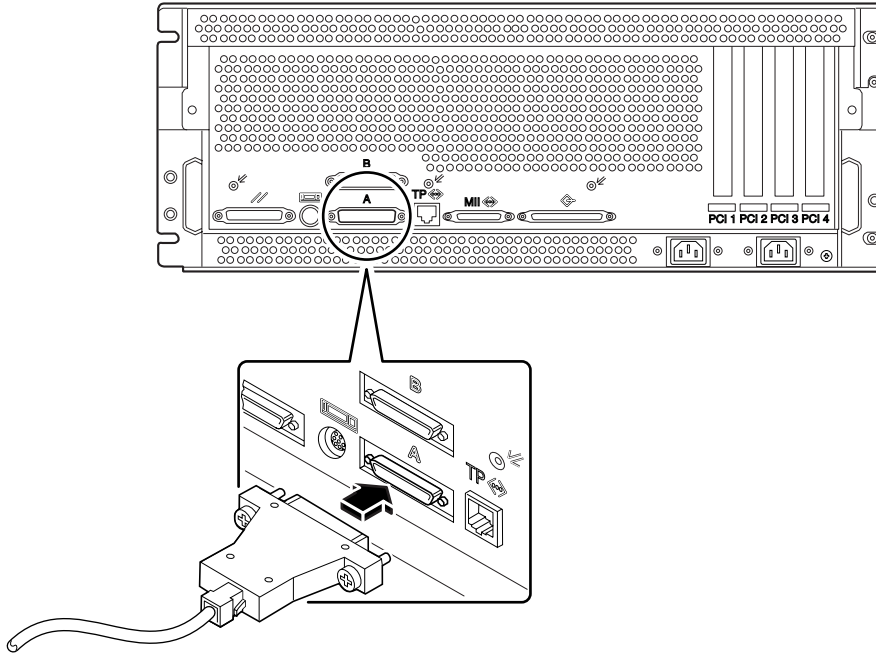
- Stabilire una connessione `tip` da un altro sistema Sun.
- Collegare un terminale ASCII alla porta seriale A.
- Installare una scheda grafica, un monitor e la tastiera sul server. Questi componenti non sono forniti in dotazione con il sistema.

Impostazione di una connessione `tip`

Per ulteriori informazioni su come stabilire una connessione `tip`, vedere il documento *Server Sun Enterprise 220R Manuale dell'utente*.

Collegamento a un terminale ASCII

1. Collegare il cavo dati del terminale alla porta seriale A posta sul pannello posteriore del server.



2. Collegare il cavo di alimentazione del terminale a una presa di alimentazione CA messa a terra.
3. Impostare il terminale per la ricezione:
 - A 9600 baud
 - Un segnale a 8 bit, nessuna parità e 1 bit di stop.

Installazione di una console grafica

Per installare una console grafica locale è necessario disporre di una scheda grafica PCI, di un monitor, di una tastiera compatibile Sun, di un mouse e relativo tappetino. Questi componenti non sono forniti in dotazione con il sistema. Per ulteriori informazioni, vedere il documento *Server Sun Enterprise 220R Manuale dell'utente*.

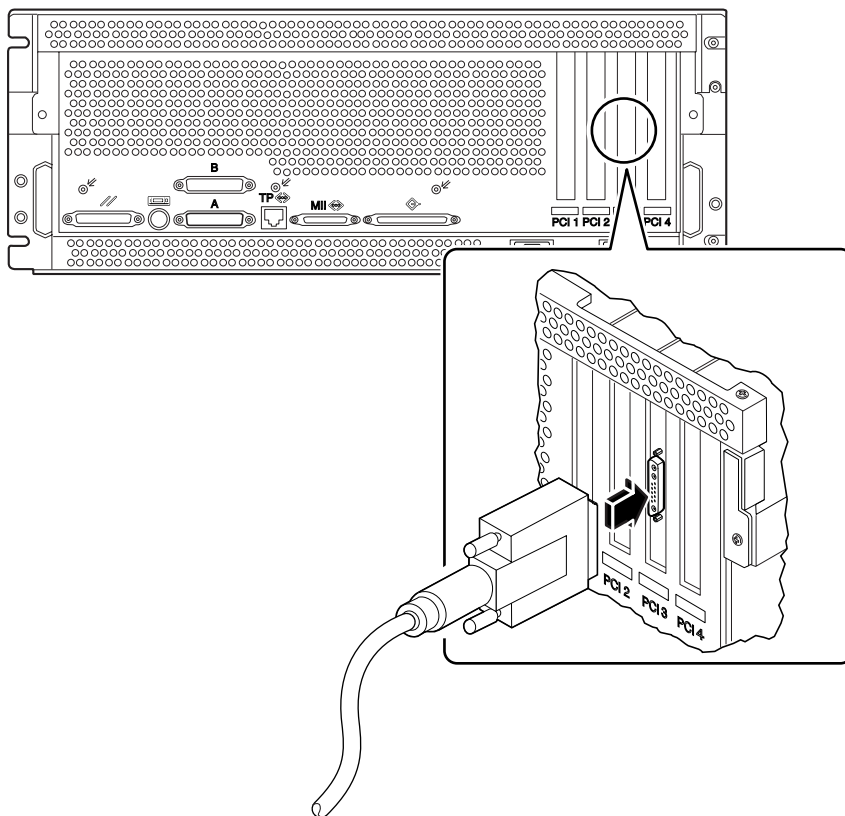
1. Installare la scheda grafica in uno slot PCI libero.

Vedere il documento *Sun Enterprise 220R Server Service Manual* o contattare il fornitore di servizi Sun di fiducia.

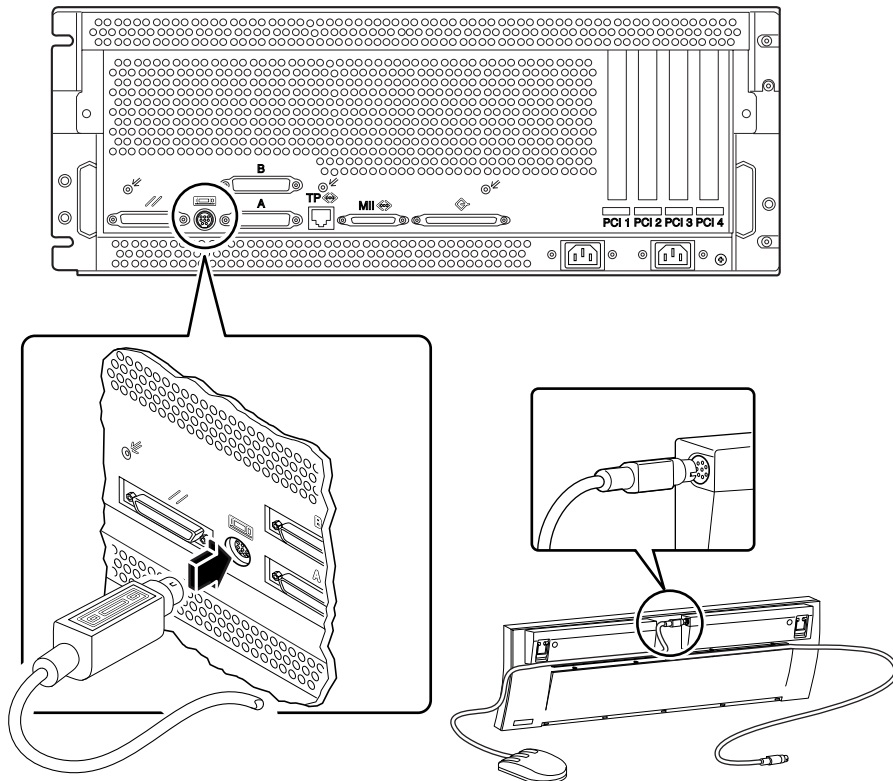
2. Collegare il cavo video del monitor alla porta video della scheda grafica.

Serrare le viti zigrinate per fissare il collegamento.

3. Collegare il cavo di alimentazione del monitor a una presa di alimentazione CA messa a terra.



4. Collegare il mouse alla tastiera.
5. Collegare la tastiera al sistema.



Ripristino dell'unità rack

Per completare questa procedura, fare riferimento alle istruzioni fornite con l'unità rack.

1. Instradare e organizzare i cavi all'interno dell'unità rack.
2. Retrarre gli appoggi di stabilizzazione dell'unità, se applicabile.
3. Rimontare i pannelli laterali, se applicabile.
4. Rimontare gli sportelli anteriore e posteriore, se applicabile.

Accensione del sistema



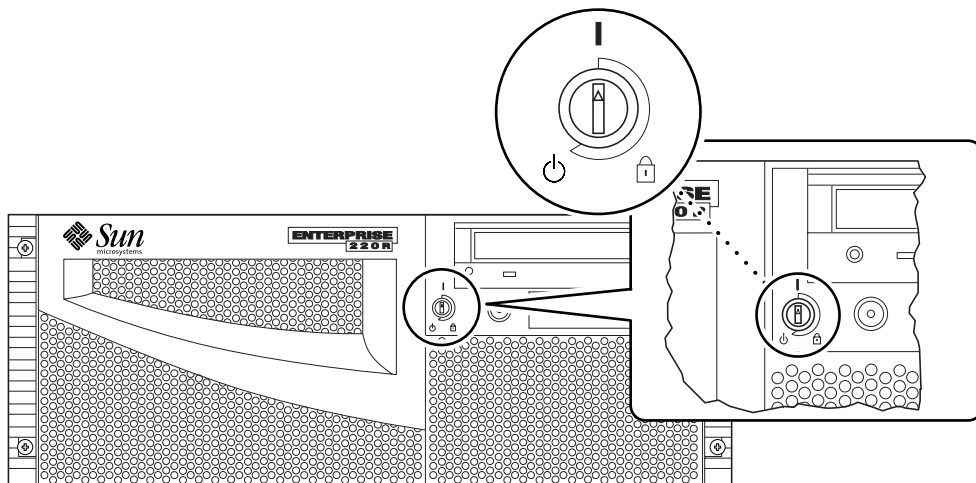
Attenzione – Non spostare il sistema quando questo è acceso. Lo spostamento del server acceso può causare danni irreparabili alle unità disco. Spegnerne sempre il sistema prima di spostarlo.



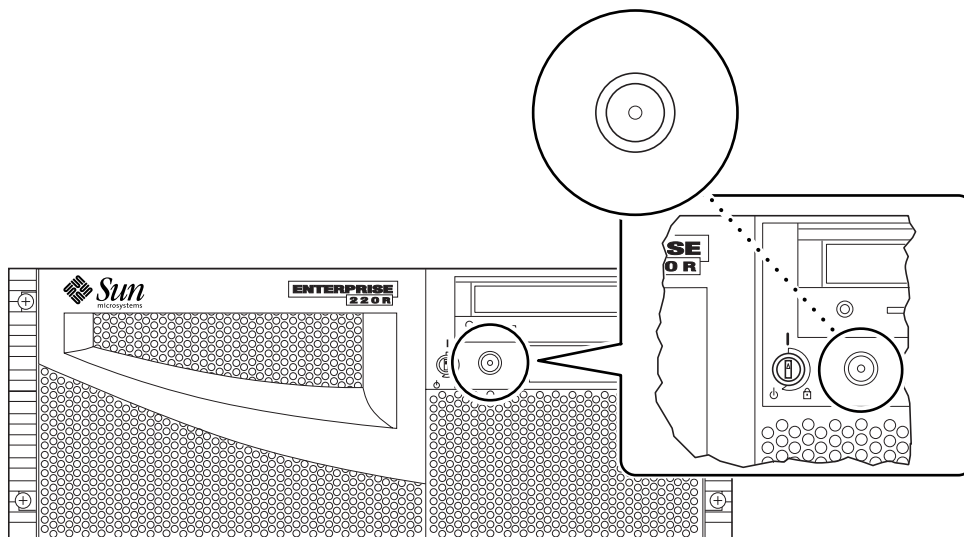
Attenzione – Prima di accendere il sistema, verificare che la copertura superiore sia correttamente installata.

1. Accendere tutte le periferiche e i dispositivi di memoria di massa esterni.
2. Accendere il monitor o il terminale, se applicabile.

- 3. Portare l'interruttore a chiave posto sul pannello anteriore nella posizione Power-On/Off (Acceso/Spento).**



- 4. Premere una volta il pulsante Power (Alimentazione) posto sul pannello anteriore..**

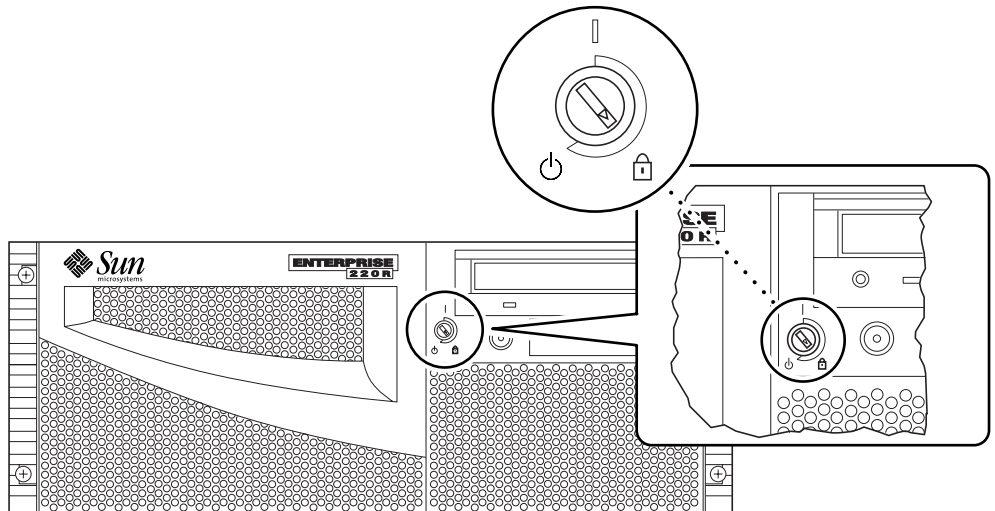


Nota – Saranno necessari da 30 secondi a due minuti prima che le immagini vengano visualizzate sul monitor del sistema o che il prompt OK compaia sul terminale collegato. Il tempo impiegato dipende dal livello di diagnostica POST (power-on self-test, autotest all'accensione) eseguito.

Nota – Se fosse necessario spegnere il sistema, vedere il documento *Server Sun Enterprise 220R Manuale dell'utente* per ulteriori informazioni.

5. Portare l'interruttore a chiave nella posizione Locked (Bloccato).

La posizione Locked impedisce lo spegnimento accidentale del sistema



Installazione del sistema operativo

Per l'installazione dell'ambiente operativo Solaris 7 o versioni successive, fare riferimento alla documentazione fornita con il software Solaris(tm) e vedere il documento *Server Sun Enterprise 220R Manuale dell'utente*.

Per l'installazione dell'ambiente operativo Solaris 2.6 Hardware 5/98, è invece necessario utilizzare il *CD Operating Environment Installation* fornito con il sistema. Durante il processo di installazione, questo CD installa determinate patch di upgrade del software per il supporto delle versioni di Solaris in esecuzione a velocità CPU di 450 MHz.

Questo CD non fornisce i contenuti delle versioni di Solaris. È quindi necessario disporre del media kit di Solaris per l'ambiente operativo Solaris 2.6 Hardware 5/98 per installare il software Solaris. Al momento appropriato del processo di installazione, il *CD Operating Environment Installation* richiederà di installare il software Solaris.

Questo CD non è necessario se si utilizzano Solaris 7 e versioni successive.

Per le istruzioni di installazione, vedere il documento incluso con il *CD Operating Environment Installation*.

Installazione della documentazione in linea

Il kit della documentazione prevede un CD-ROM contenente la documentazione in linea che descrive l'uso, nonché le procedure di assistenza e manutenzione del sistema. Per le istruzioni di installazione, vedere i documenti forniti con il CD-ROM.

Requisiti del rack

Il server è stato progettato in modo da consentirne l'installazione in un cabinet di espansione Sun da 72 pollici (184 cm) di altezza o in altre unità rack conformi EIA che soddisfino i requisiti riportati nella tabella seguente. È necessario disporre di un kit per il montaggio in rack Sun per ogni server da installare in rack.

Caratteristica del rack	Requisito
Capacità di carico	Il rack deve essere in grado di sopportare il peso di un server Sun Enterprise 220R (34 kg, 75 lb) e del materiale per il montaggio in rack, oltre al peso di tutti gli altri dispositivi installati.
Requisiti di spazio in verticale	Ogni server richiede quattro unità (17,78 cm, 7 pollici) di spazio in verticale del rack per l'installazione. Un cabinet da 183 cm (72 pollici) può contenere fino a nove server.
Aerazione	<p>Il sistema richiede 53 litri al secondo a 40° C e 3.000 metri. Questo flusso di aerazione corrisponde a 149 kg orari a qualsiasi altitudine e a 36 litri al secondo a 40° C a livello del mare.</p> <p>Per garantire un'aerazione adeguata, ogni sistema inserito nel rack richiede 181 centimetri quadrati (28 pollici quadrati) di spazio di areazione nella parte anteriore del sistema e 148 centimetri quadrati (23 pollici quadrati) sul retro. Mantenere un minimo di 3,8 cm (1,5 pollici) di spazio libero tra il sistema ed eventuali sportelli anteriori o posteriori.</p>

Caratteristica del rack	Requisito
Requisiti delle guide di montaggio verticali	<p>Il rack deve disporre di due coppie di guide di montaggio verticale (una anteriore e una posteriore) conformi allo standard EIA (RETMA) per la spaziatura dei fori di montaggio.</p> <p>La spaziatura della guida dal lato sinistro al lato destro (da centro a centro dei fori di montaggio) per le guide anteriori e posteriori deve essere pari a 46,5 cm (18,3 pollici).</p> <p>La spaziatura della guida dalla parte anteriore alla parte posteriore deve essere pari a un minimo di 68,26 cm (26,875 pollici) e non superare gli 88,5 cm (34,875 pollici) dal lato esterno della guida anteriore al lato esterno della guida posteriore.</p> <p>I lati delle guide di montaggio verticali anteriori e posteriori devono risultare paralleli tra loro e con il piano anteriore del rack.</p>
Sportelli e pannelli	<p>Se si utilizza un cabinet di espansione Sun, è possibile rimuovere lo sportello anteriore e i pannelli laterali per accedere al sistema. Altrimenti, vedere le istruzioni fornite con l'unità rack acquistata.</p>
Requisiti EMI	<p>Il telaio del sistema e i pannelli metallici laterali, che rimangono in sede una volta montata l'unità, soddisfano i requisiti di schermatura EMI per l'interferenza elettromagnetica.</p>
Protezione antiribaltamento	<p>Il rack deve essere fissato al suolo o dotato di appoggi di stabilizzazione solidi ed estendibili. È infatti necessario impedire il ribaltamento in avanti del cabinet nelle situazioni in cui uno o più dispositivi si estendano verso l'esterno dalla parte anteriore del rack.</p>
Requisiti minimi di accesso per gli interventi di assistenza	<p>Nella parte anteriore del rack deve rimanere uno spazio libero non inferiore a 1 metro (3 piedi) di profondità e a 2 metri (6 piedi) di larghezza per consentire l'accesso per le operazioni di installazione e assistenza.</p> <p>Nella posizione di estensione completa sulle slitte delle guide di montaggio, il sistema sposterà di 75,6 cm (29,75 pollici) in avanti rispetto alle guide di montaggio verticale anteriori del rack.</p>
Contenimento delle fiamme	<p>L'unità rack deve soddisfare i requisiti degli Underwriters Laboratories, Inc. e della norma TUV Rheinland of N.A. per il contenimento delle fiamme.</p>

Manual de instalación y montaje en rack

Este manual contiene información para instalar el servidor para grupos de trabajo Sun Enterprise™ 220R en un armario de expansión Sun o en cualquier otro armario de tipo EIA.

Incluye los procedimientos y temas siguientes:

- Procedimientos iniciales, página es-2
 - Desembalaje del sistema, página es-2
 - Verificación del contenido del paquete, página es-3
- Instalación en el rack, página es-7
 - Herramientas necesarias, página es-7
 - Medidas de seguridad, página es-8
 - Preparación del rack, página es-9
 - Montaje de los soportes en las correderas, página es-10
 - Instalación de las correderas en el rack, página es-13
 - Instalación del servidor en el rack, página es-17
- Instalación del sistema, página es-21
 - Conexión del cable de alimentación, página es-22
 - Conexión del cable Ethernet, página es-25
 - Opciones de instalación, página es-27
 - Instalación de la consola del sistema, página es-27
 - Montaje del rack, página es-31
 - Encendido del sistema, página es-31
 - Instalación del sistema operativo, página es-34
 - Documentación de instalación en línea, página es-34
- Requisitos que debe cumplir el rack, página es-35

Procedimientos iniciales

Para instalar un servidor Sun Enterprise, lleve a cabo las tareas siguientes en el orden especificado:

- Desembale el sistema y compruebe el contenido del paquete. Consulte el Capítulo 1.
- Monte el servidor en el rack. Consulte el Capítulo 2.
- Ponga en funcionamiento el servidor e instale el sistema operativo. Consulte el Capítulo 3.

Desembalaje del sistema

El sistema se entrega de fábrica con la mayoría de las opciones internas instaladas. Los periféricos que no se instalan en fábrica, se distribuyen por separado. Las instrucciones de desembalaje están impresas en la parte exterior de la caja de transporte.

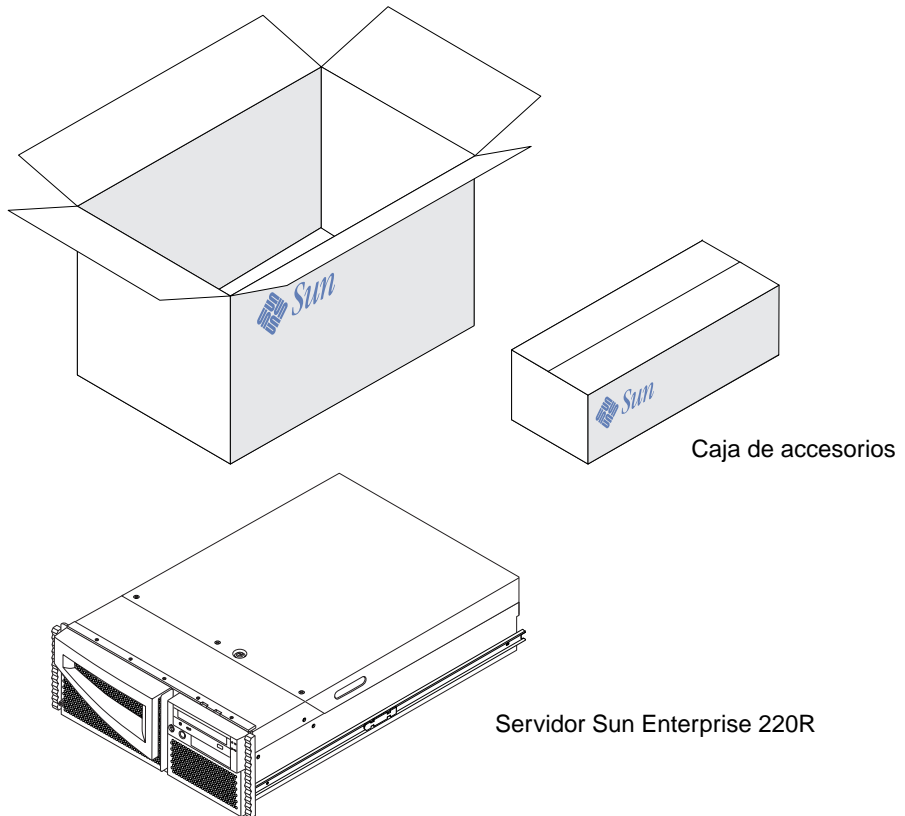
Examine todas las cajas recibidas para comprobar si han sufrido algún daño. Si alguna de ellas está dañada, pida a la persona del servicio de transporte que permanezca presente en el momento de abrirla. Conserve el contenido y el material de embalaje para que el personal del servicio de transporte pueda examinarlo si es preciso.

Verifique si ha recibido todos los componentes que ha pedido. Si falta alguno, póngase en contacto con Sun Microsystems o con su distribuidor.

Verificación del contenido del paquete

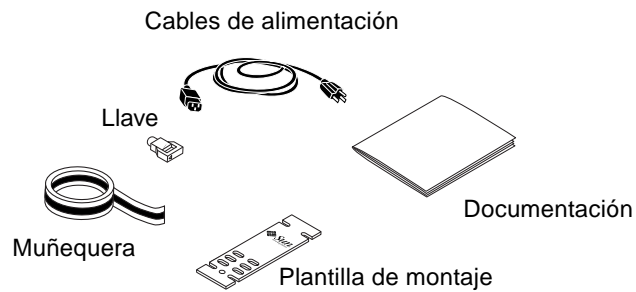
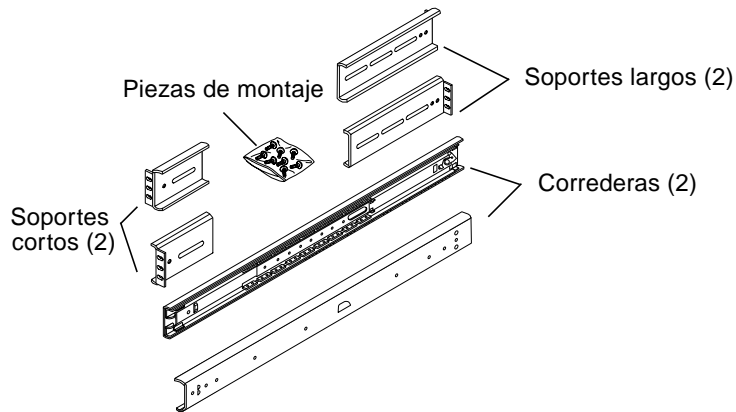
La caja recibida contiene los componentes siguientes:

- Servidor para grupos de trabajo Sun Enterprise 220R
- Caja de accesorios

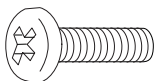


Contenido de la caja de accesorios

La caja de accesorios contiene los elementos siguientes:



La caja contiene una bolsa de plástico con distintas piezas de montaje: tornillos, tuercas y arandelas que se muestran en su tamaño real. Necesitará estos elementos para instalar los soportes de montaje y las correderas.



Tornillo
10-32 x 3/4 (8)



Tornillo
8-32 x 3/8 (8)



Arandela
plana (8)



Arandela
de retención (8)



Tuerca (8)

Nota - En el caso de armarios con uniones no roscadas, se precisarán tuercas de presión (no incluidas). Consulte las instrucciones del rack para obtener más información. En los racks de Sun no se utilizan este tipo de tuercas.

Instalación en el rack

Este capítulo contiene instrucciones detalladas para montar el servidor en un armario de expansión Sun o en cualquier otro rack de tipo EIA.

Para montar un servidor Sun Enterprise 220R, lleve a cabo el procedimiento siguiente en el orden especificado:

- “Preparación del rack” en la página es-9
- “Montaje de los soportes en las correderas” en la página es-10
- “Instalación de las correderas en el rack” en la página es-13
- “Instalación del servidor en el rack” en la página es-17

El documento *Sun Enterprise 220R Server: Descripción gráfica del montaje en rack*, que se incluye en la documentación recibida, ilustra todos los pasos de montaje mediante una serie de gráficos de fácil comprensión. Este capítulo proporciona información detallada sobre cada paso del procedimiento de montaje.

Herramientas necesarias

- Destornillador Phillips del nº 2
- Destornillador de punta plana
- Juego de llaves Allen para desmontar los paneles laterales de algunos racks.
- Llave ajustable para presionar las tuercas de los soportes de montaje.

Antes de empezar

- Desembale el sistema y verifique el contenido del paquete. Consulte el Capítulo 1 si precisa más información.
- Abra la caja de accesorios y coloque las correderas, los soportes de montaje y los tornillos y tuercas en una superficie despejada.
- Compruebe que dispone de todas las piezas reflejadas en la “Contenido de la caja de accesorios” en la página es-4.
- Lea los requisitos que debe cumplir el rack, descritos en el Apéndice A de este manual.
- Lea las medidas de seguridad que se indican a continuación.

Medidas de seguridad

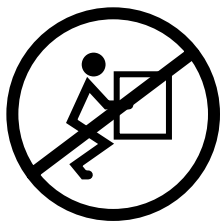
Para obtener una descripción completa de las medidas de seguridad que es preciso adoptar al instalar el servidor Sun Enterprise 220R, consulte el *Manual del usuario del servidor Sun Enterprise 220R*.



Precaución - El sistema debe instalarse tan cerca de la base como sea posible. Para obtener la máxima estabilidad, no lo instale encima de equipos de peso inferior.



Precaución - El sistema pesa considerablemente. En los procedimientos siguientes, se precisa la colaboración de dos personas para moverlo. También es necesaria la presencia de dos personas para alinear y montar las correderas en el rack.





Precaución - A fin de conseguir una ventilación adecuada, cada sistema del rack precisa 181 cm cuadrados en la parte frontal para la libre entrada del aire y otros 148 cm cuadrados en la parte trasera como vía de salida. Mantenga un mínimo de 3,8 cm de espacio libre entre el sistema y cualquier puerta frontal o trasera. Consulte el Apéndice A para obtener más información.

Preparación del rack

1. Abra y desmonte (si es necesario) las puertas frontal y posterior del rack.

Consulte las instrucciones suministradas con el rack.

2. Estabilice el rack utilizando los pies antivuelco o fijándolo al suelo.

Consulte las instrucciones suministradas con el rack.

3. Si es necesario, desmonte los paneles laterales del rack.

Consulte las instrucciones suministradas con el rack. La extracción de los paneles laterales puede facilitar el acceso a las tuercas y tornillos que se instalan para fijar el sistema al armario.

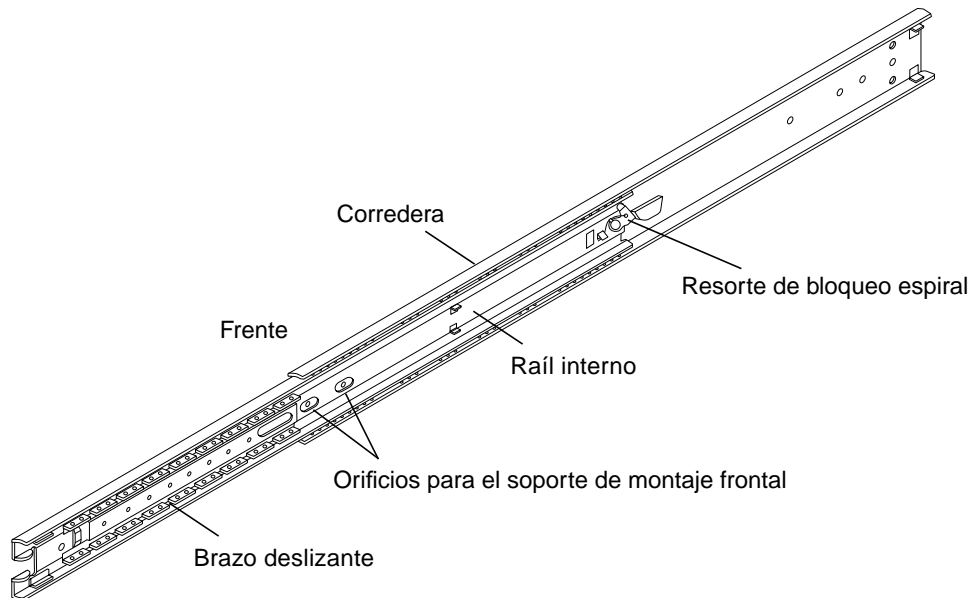
Montaje de los soportes en las correderas

Monte un soporte largo y otro corto en la parte exterior de cada corredera.

Lleve a cabo los pasos siguientes con cada una de las correderas.

1. Monte un soporte corto en la parte frontal de cada corredera.
 - a. Abra el brazo deslizante de la corredera para dejar al descubierto los orificios del soporte de montaje frontal.

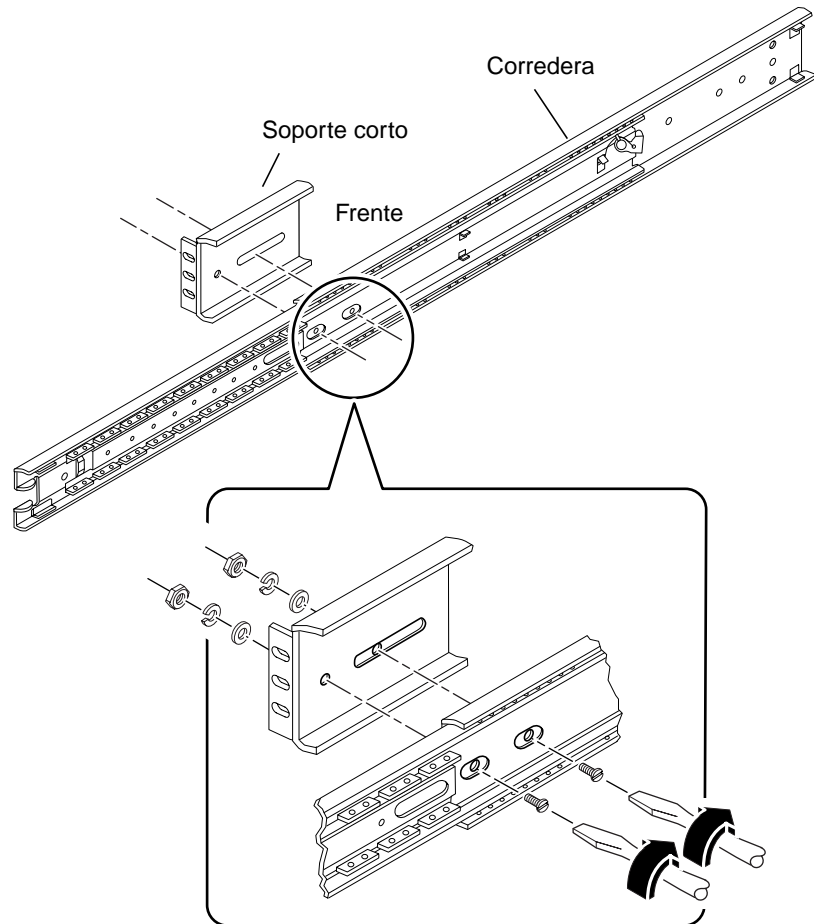
Libere el resorte de bloqueo espiral situado en el raíl interno para abrir el brazo extensible.



b. Coloque un soporte corto sobre el extremo frontal de la corredera.

La lengüeta del soporte debe alinearse con el frente de la corredera, según se muestra en la figura.

c. Fije el soporte a la corredera. Utilice dos tornillos 8-32 de cabeza plana con una arandela plana, una arandela de retención y una tuerca por cada tornillo.



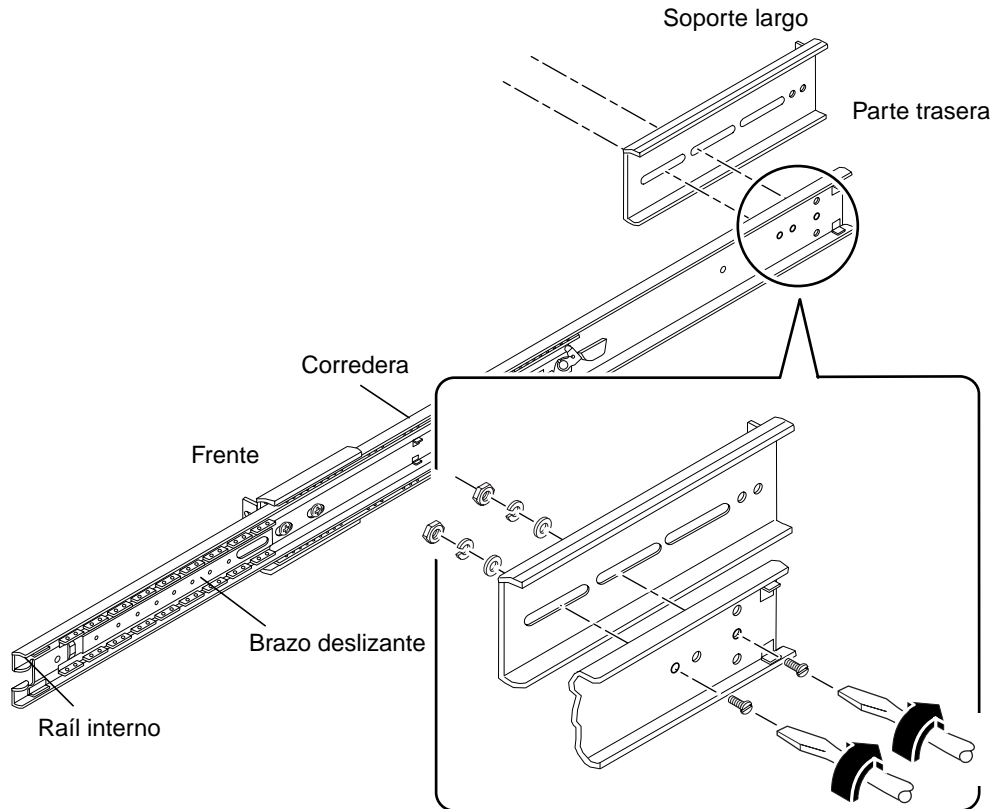
2. Monte un soporte largo en el extremo posterior de cada corredera.

a. Coloque el soporte sobre la parte posterior de la corredera.

Alinee las ranuras situadas en el extremo del soporte con los orificios de la corredera, según se muestra en la figura.

b. Fije el soporte a la corredera pero sin presionarlo. Utilice dos tornillos 8-32 de cabeza plana, arandelas planas, arandelas de retención y tuercas por cada soporte de montaje largo.

No presione los tornillos al máximo. Puede que necesite ajustar el soporte cuando instale la corredera en el rack.



3. Introduzca el brazo extensible en la corredera.

a. Presione el raíl interno hasta introducirlo por completo en la corredera. Si es necesario, libere el resorte de bloqueo.

b. Introduzca el brazo deslizable hasta que llegue al tope.

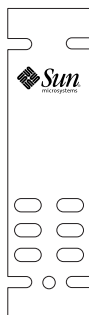
Instalación de las correderas en el rack

1. Localice y marque en los raíles verticales del rack las posiciones donde deben instalarse las correderas.

Deje un espacio de cuatro unidades de rack (17,78 cm) o 12 orificios por servidor. Dado que los orificios de un rack estándar se disponen en grupos de 3 separados entre sí por 5/8, 5/8 y 4/8 de pulgada, la decisión de qué orificios deben utilizarse para montar las correderas depende del lugar donde se quiera instalar el sistema.

Puede optar por contar los orificios de forma que cada corredera se instale a la misma altura tanto en las partes frontal y posterior como en los laterales, o utilizar la plantilla que se incluye con la documentación del sistema. Marque la ubicación del rack con un marcador o cualquier otro elemento similar.

Instale las correderas en la posición más próxima a la base que se encuentre disponible. Si es el primer sistema que va a instalar en el rack, utilice los orificios 3 y 4 o 5. Instale otros posibles servidores empezando desde la base hacia arriba.



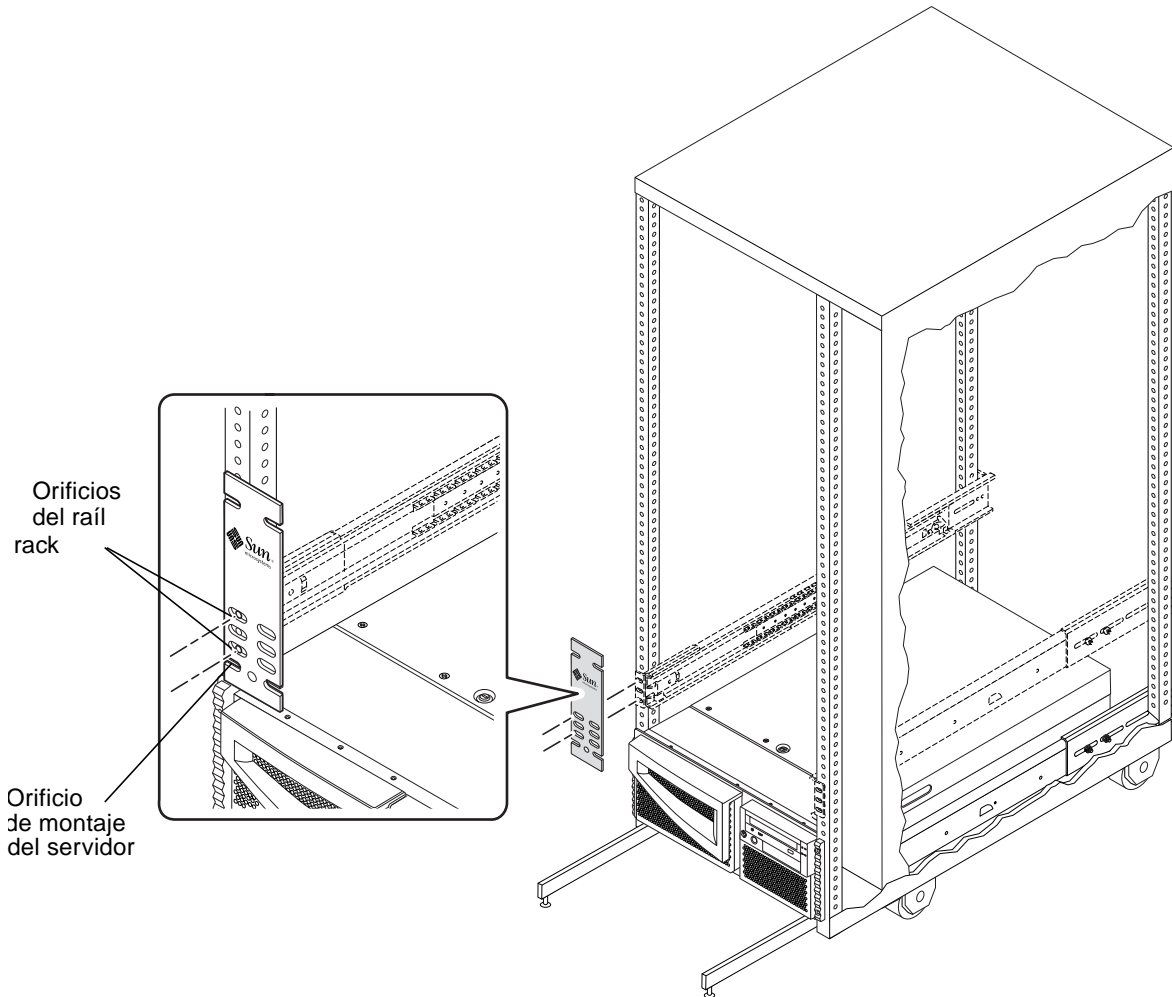
Plantilla de montaje

Para utilizar la plantilla, haga lo siguiente:

- Coloque la plantilla sobre el raíl vertical izquierdo de la parte frontal del rack. Observe la figura siguiente.**
- Coloque el extremo inferior de la plantilla exactamente en el punto del raíl donde deba situarse la parte inferior del sistema.**
- Ajuste la plantilla de forma que el orificio donde tiene que introducirse el tornillo inferior de montaje del servidor esté centrado en la ranura de la plantilla.**

d. Localice, a través de los tres orificios de la plantilla, los dos orificios del raíl del rack más visibles y márquelos.

Utilice estos orificios del raíl para montar la corredera en el rack. Sólo utilizará dos de los tres orificios para realizar el montaje. El soporte de montaje posee tres orificios para adaptarse a las diferencias de espacio existentes entre los orificios del raíl del rack. Marque los orificios correspondientes en el raíl vertical derecho de la parte frontal del rack.



2. Monte una corredera en el raíl derecho del rack y la otra en el raíl izquierdo. Observe la figura siguiente.

a. Con la ayuda de otra persona, coloque la corredera en el interior del rack con el soporte corto alineado con la parte frontal del rack.

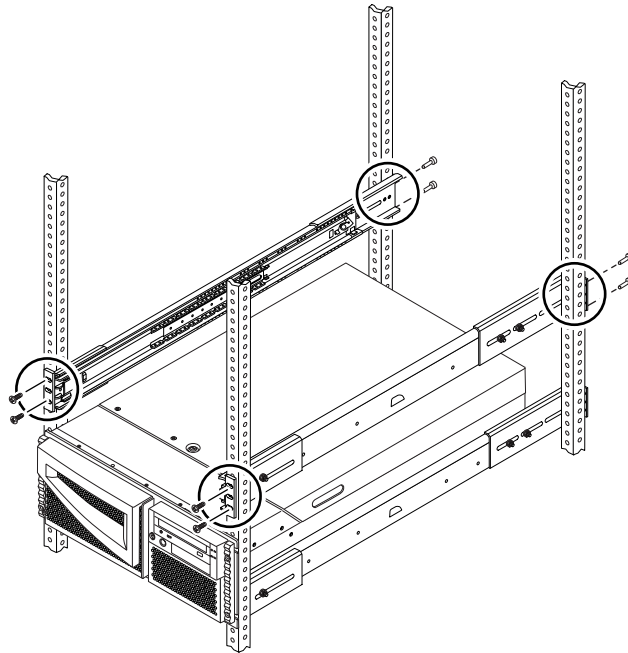
Cuente los orificios de forma que cada corredera se instale a la misma altura en las partes frontal y posterior y en los laterales del rack, o bien utilice la plantilla según lo explicado en el Paso 1.

b. Acople el soporte corto de una de las correderas en el raíl frontal del rack.

Una el soporte de la corredera al raíl frontal del rack utilizando dos tornillos Phillips 10-32 de cabeza plana. Utilice los orificios que marcó en el Paso 1. Introduzca los tornillos con los dedos. No los presione al máximo hasta que todos los tornillos estén colocados y las correderas se encuentren al mismo nivel.

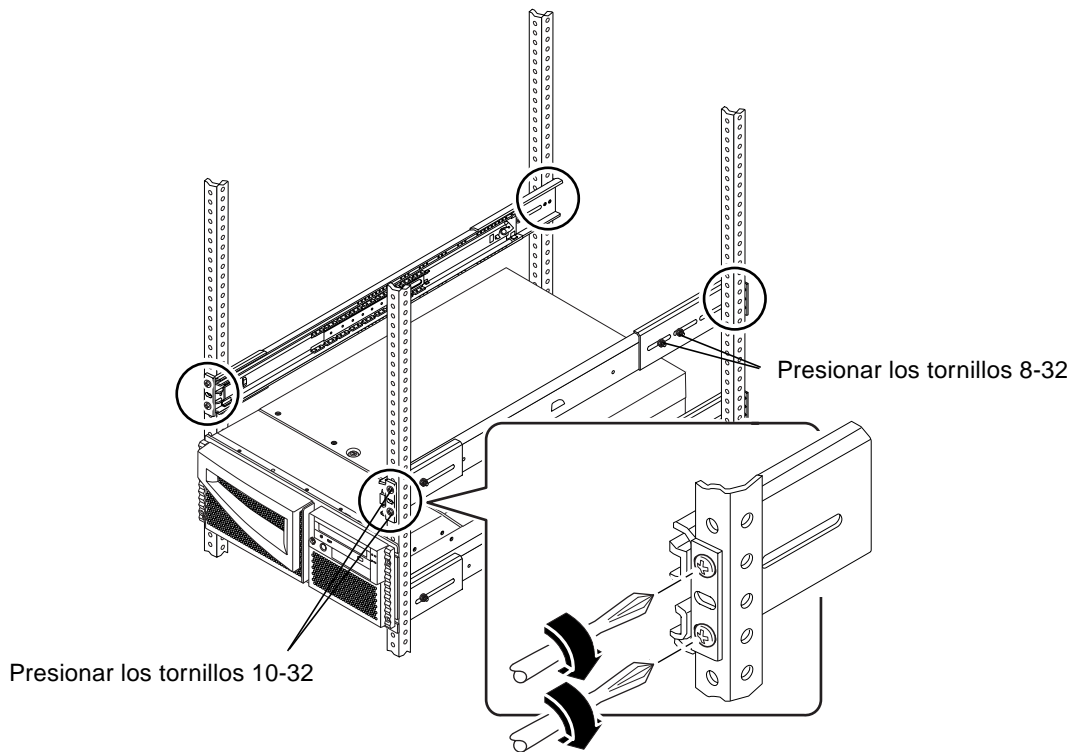
c. Monte el soporte largo de la misma corredera en el raíl posterior del rack.

Acople el soporte de la corredera en el raíl posterior del rack utilizando dos tornillos Phillips 10-32 de cabeza plana. Introduzca los tornillos con los dedos. No los presione al máximo hasta que todos los tornillos estén colocados y las correderas se encuentren al mismo nivel.



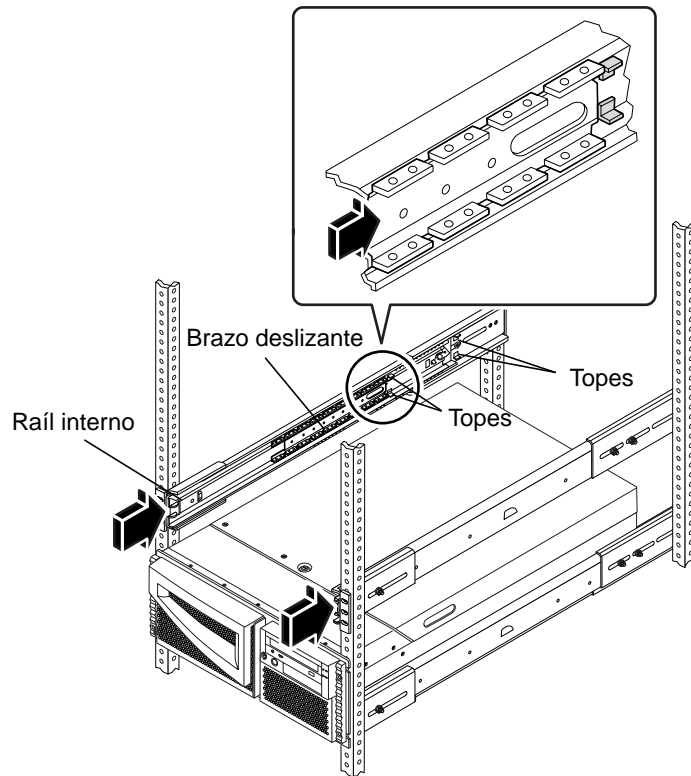
Nota - Puede que necesite deslizar el soporte posterior hacia delante o hacia atrás para ajustarlo a la profundidad del rack.

3. Presione al máximo todos los tornillos de montaje en el rack.
 - a. Asegúrese de que las correderas están al mismo nivel en el frente y la parte posterior, y en los laterales.
 - b. Presione los ocho tornillos 10-32 que fijan los soportes de montaje cortos y largos a los raíles verticales del rack.
 - c. Presione los cuatro tornillos 8-32 que fijan los soportes largos a las correderas.



Instalación del servidor en el rack

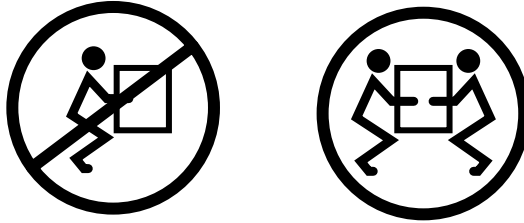
1. Verifique que el brazo deslizante de cada corredera está introducido hasta los topes, como se muestra en la figura.
 - a. Empuje el raíl interno de cada corredera hasta que llegue a los topes situados más cerca de la parte posterior del rack.
 - b. Empuje hacia dentro el brazo deslizante hasta que llegue a los topes.



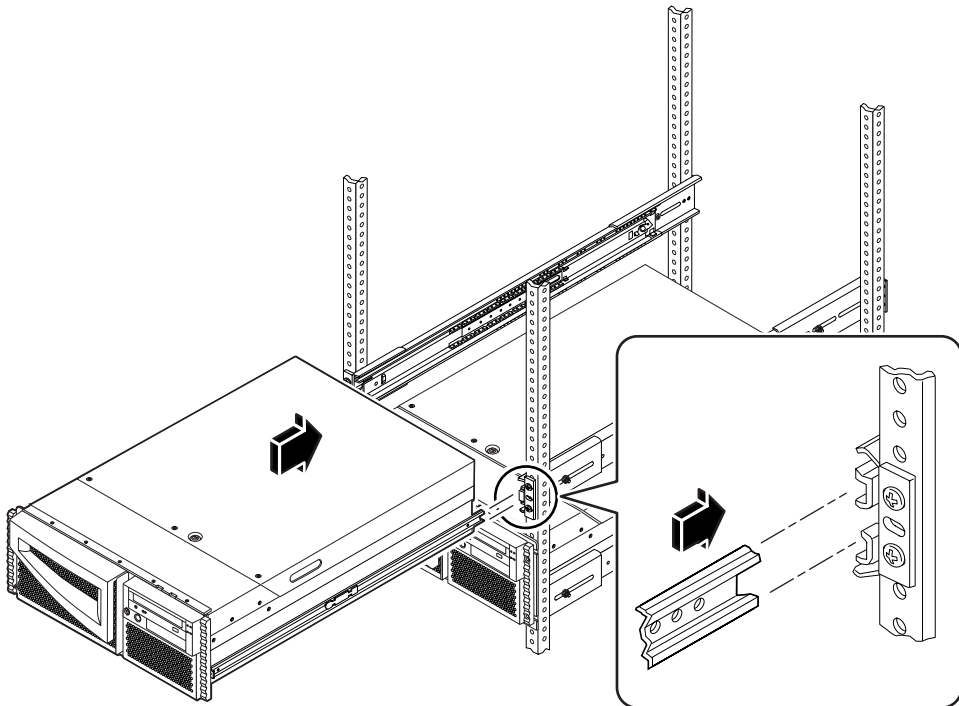
2. Lleve el servidor (una persona a cada lado) hasta el rack con su parte posterior situada frente a la parte posterior del rack.



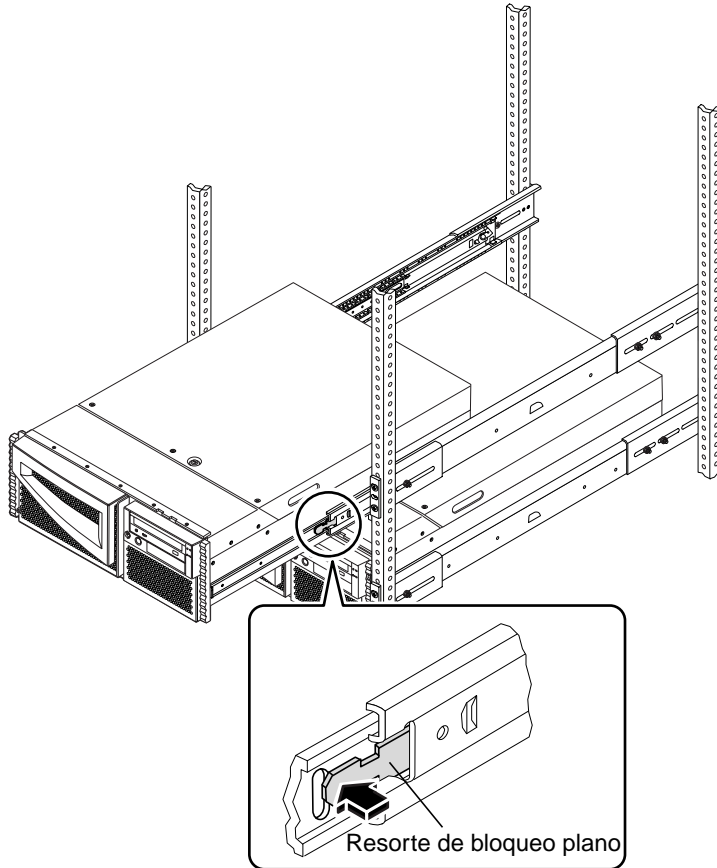
Precaución - El sistema pesa considerablemente. Se precisa la colaboración de dos personas para moverlo.



3. Alinee el extremo de las guías laterales del servidor de forma que encajen con las correderas.

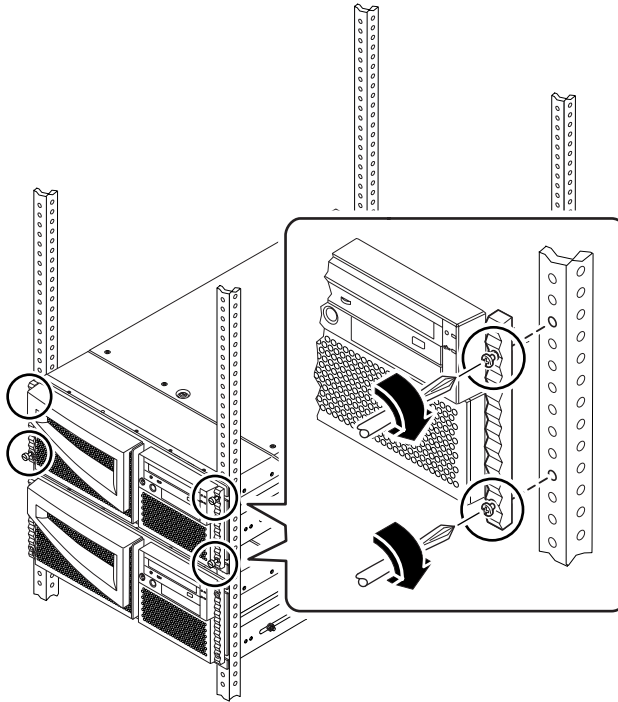


4. Deslice el servidor suavemente en el interior del rack hasta que sus guías lleguen al tope de la corredera.
5. Presione el resorte de bloqueo plano situado en las dos guías de la carcasa y empuje el servidor hasta el final del rack.



6. Asegure la carcasa a los raíles verticales derecho e izquierdo de la parte frontal del rack.

Utilice un destornillador Phillips del nº 2 para presionar los cuatro tornillos cautivos que fijan el sistema al rack. Estos tornillos se encuentran en los orificios de los paneles decorativos situados junto al panel frontal del sistema, como se muestra en la figura.



Nota - Si ha desmontado los paneles laterales del rack, manténgalos desmontados hasta que haya finalizado los procedimientos descritos en el Capítulo 3.

Siguientes pasos

Lea el Capítulo 3 y lleve a cabo los procedimientos que se detallan para conectar el cable de alimentación y los cables del panel trasero, encender el sistema e instalar el sistema operativo.

Instalación del sistema

En este capítulo se explica cómo conectar todos los cables necesarios para poner en funcionamiento el servidor. Si en alguno de los procedimientos interviene el software, se explican algunas tareas que es necesario realizar y se remite a los manuales de software apropiados para obtener el resto de la información.

Para terminar de instalar el sistema, lleve a cabo los procedimientos siguientes en el orden especificado:

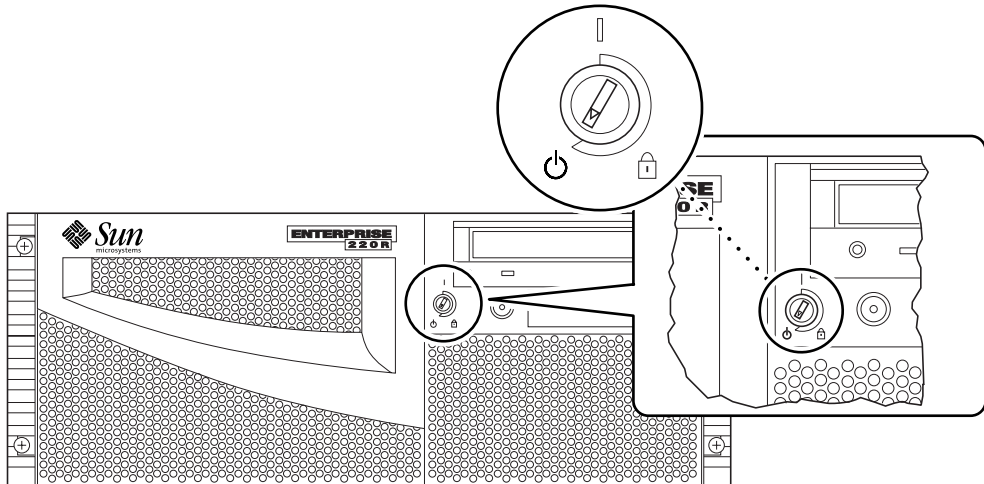
- “Conexión del cable de alimentación” en la página es-22
- “Conexión del cable Ethernet” en la página es-25
- “Opciones de instalación” en la página es-27
- “Instalación de la consola del sistema” en la página es-27
- “Montaje del rack” en la página es-31
- “Encendido del sistema” en la página es-31
- “Instalación del sistema operativo” en la página es-34
- “Documentación de instalación en línea” en la página es-34

Si necesita apagar el sistema, consulte:

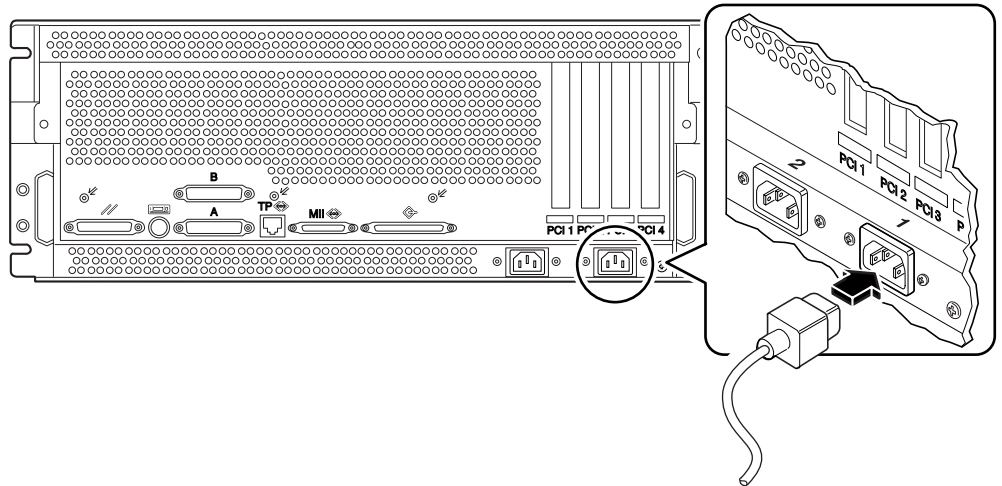
- *Manual del usuario del servidor Sun Enterprise 220R*

Conexión del cable de alimentación

1. Gire el selector del panel frontal hasta la posición de espera.



2. Enchufe el cable de alimentación de CA en el conector 1 situado en la parte posterior del sistema.



3. Conecte el otro extremo del cable de alimentación en el secuenciador de potencia del rack o en una toma de CA.

Consulte las instrucciones suministradas con el rack para obtener más información sobre el secuenciador de potencia. La toma de corriente debe conectar el sistema a un circuito de 15 A en América del Norte y Japón, y a un circuito de 10 A en Europa.

Nota - Si el servidor incluye una segunda fuente de alimentación, enchufe el segundo cable de CA al conector marcado con la etiqueta 2. Puede conectar la segunda fuente de alimentación al mismo circuito de CA que la primera fuente, pero, para obtener la máxima redundancia, debería conectarla a otro circuito.

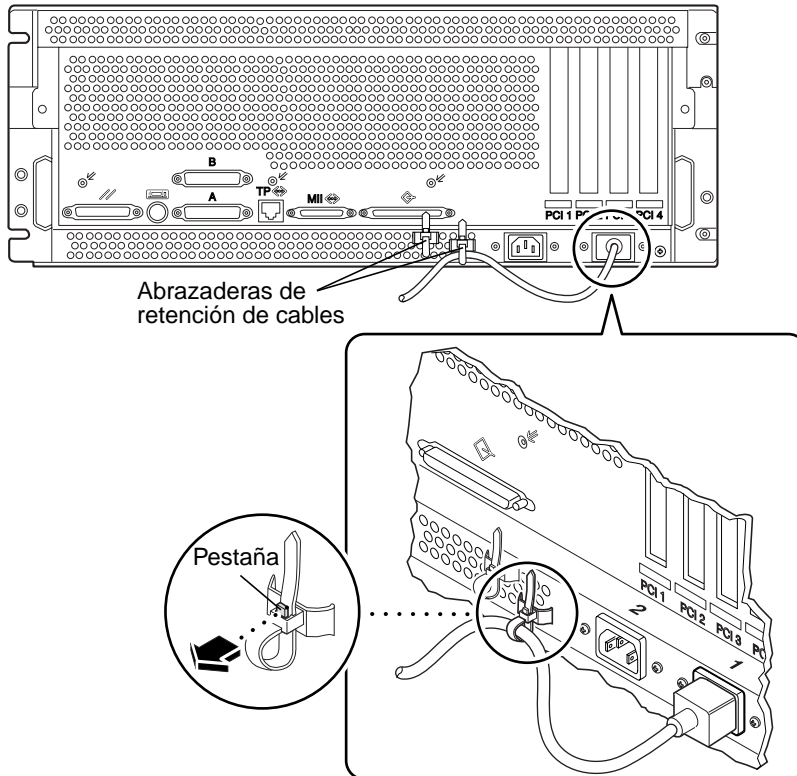
Nota - Este sistema es apto para su utilización con sistemas de alimentación IT.

4. Sujete el cable (o cables) de alimentación al panel posterior mediante las abrazaderas de retención.

El servidor Sun Enterprise 220R se entrega con dos abrazaderas de retención de cables instaladas en el panel trasero. Una abrazadera de retención es una brida de plástico sujeta por una base insertada en el panel del sistema. Utilice estas abrazaderas para colocar los cables correctamente cuando introduzca o saque el sistema del rack.

Para sujetar una cable de alimentación, rodéelo con el extremo suelto de la abrazadera e introduzca dicho extremo por la abertura situada en la base de soporte. Tire del extremo para tensar la abrazadera.

Para liberar el cable de la abrazadera, presione la pestaña de la base de soporte y afloje la brida.



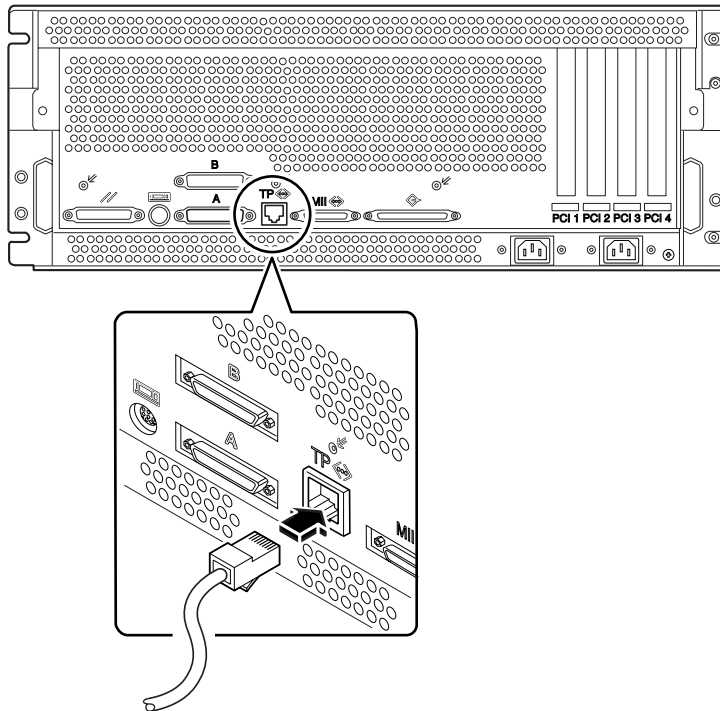
Conexión del cable Ethernet

Conecte sólo un cable Ethernet al puerto Ethernet estándar situado en la parte trasera del sistema. Puede ser un cable de par trenzado (TPE) o un transceptor MII (Media Independent Interface). Es posible efectuar más conexiones Ethernet instalando tarjetas Ethernet PCI.

Sun Microsystems dispone de un transceptor MII-AUI que puede adquirirse por separado. Existen transceptores de otros fabricantes para la conexión a redes Ethernet de tipo TX, T4, FX y AUI. Consulte el *Manual del usuario del servidor Sun Enterprise 220R* si precisa más información.

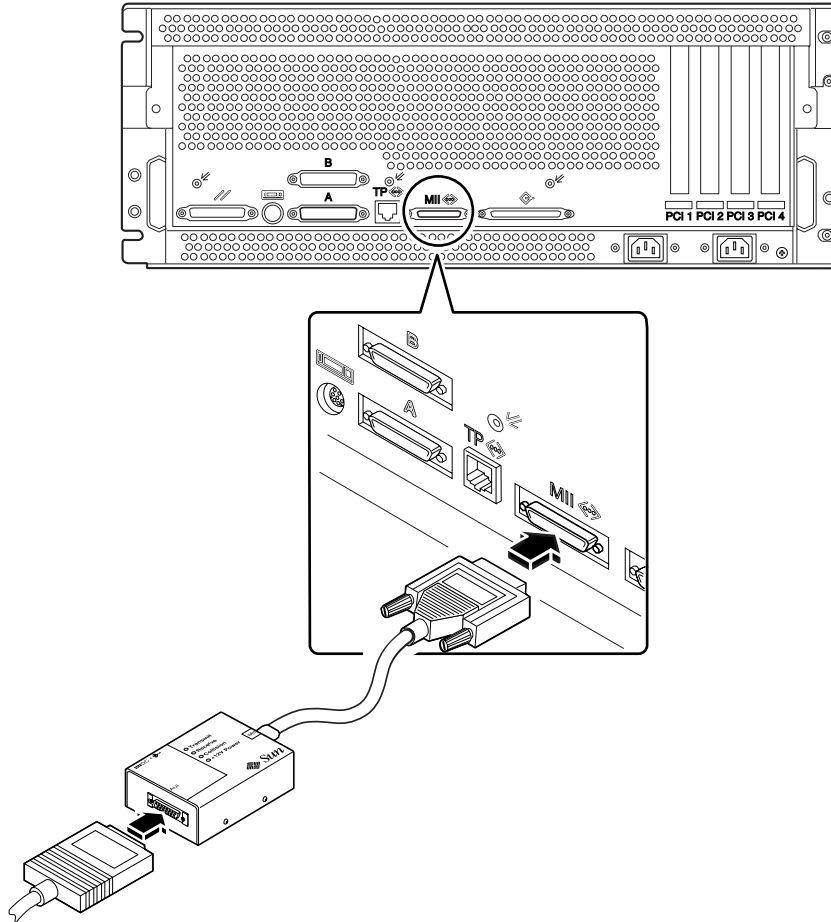
1. Para conectar un cable TPE:

- a. Enchufe el cable TPE en el conector RJ-45 del panel trasero del sistema.
- b. Enchufe el otro extremo del cable en la toma TPE de la pared o del suelo.



2. Para conectar un transceptor MII:

- a. Enchufe un transceptor MII en el conector Ethernet MII situado en el panel trasero del sistema.



- b. Enchufe el cable AUI de red en el conector AUI del transceptor MII y bloquee el conector AUI.

Deslice el pasador hacia la derecha para fijar el cable AUI al transceptor MII-AUI. Utilice un destornillador de punta plana si es necesario.

- c. Conecte el otro extremo del transceptor MII al cable de red adecuado.

Opciones de instalación

Es posible que muchas de las opciones solicitadas con el sistema vengan preinstaladas de fábrica. Si precisa información sobre la instalación de otras opciones, consulte el *Sun Enterprise 220R Server Service Manual* o póngase en contacto con un proveedor de servicios autorizado de Sun. Para obtener información sobre la instalación de otra unidad de disco interna, consulte el *Manual del usuario del servidor Sun Enterprise 220R*.

Instalación de la consola del sistema

Para instalar el software del servidor o diagnosticar un problema, necesita disponer de algún medio para introducir los comandos del sistema y ver el resultado de su ejecución. Puede optar por cualquiera de estas alternativas:

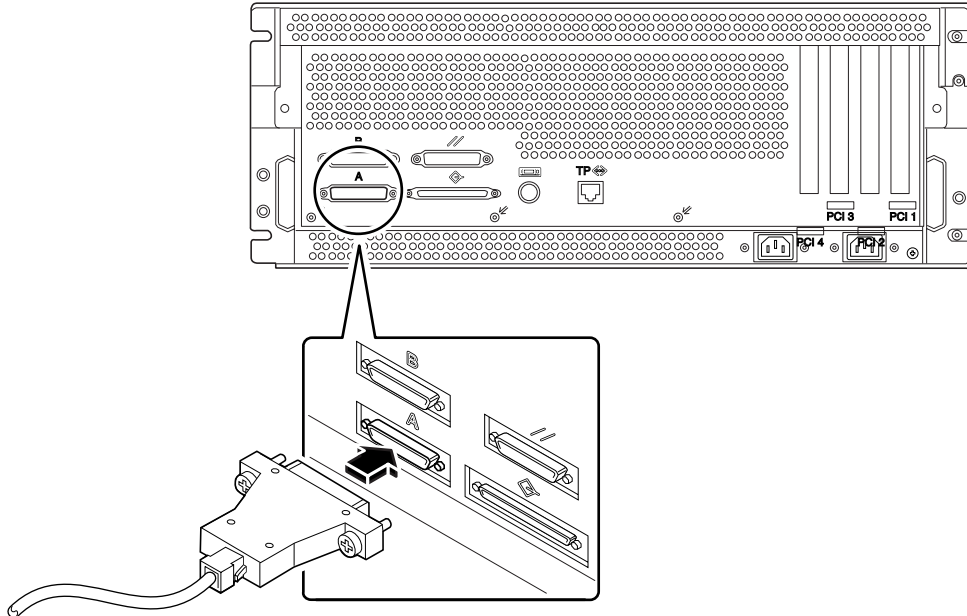
- Establecer una conexión `tip` con otro sistema Sun.
- Conectar un terminal ASCII al puerto serie A.
- Instalar una tarjeta gráfica, un monitor y un teclado en el servidor. Estos componentes no se incluyen al adquirir el servidor.

Procedimiento para establecer una conexión `tip`

Si precisa información para establecer una conexión `tip`, consulte el *Manual del usuario del servidor Sun Enterprise 220R*.

Procedimiento para conectar un terminal ASCII

1. Conecte el cable de datos del terminal al puerto serie A situado en el panel trasero del servidor.



2. Conecte el cable de alimentación del terminal a una toma de CA de tierra.
3. Configure el terminal para recibir:
 - A 9600 baudios
 - Una señal de 8 bits sin paridad y un bit de parada.

Procedimiento para instalar una consola de gráficos

Para instalar una consola de gráficos local, necesita instalar una tarjeta gráfica PCI, un monitor, un teclado compatible con sistemas Sun, un ratón y una alfombrilla para el ratón. Estos componentes no se incluyen al adquirir el sistema. Consulte el *Manual del usuario del servidor Sun Enterprise 220R* para obtener más información.

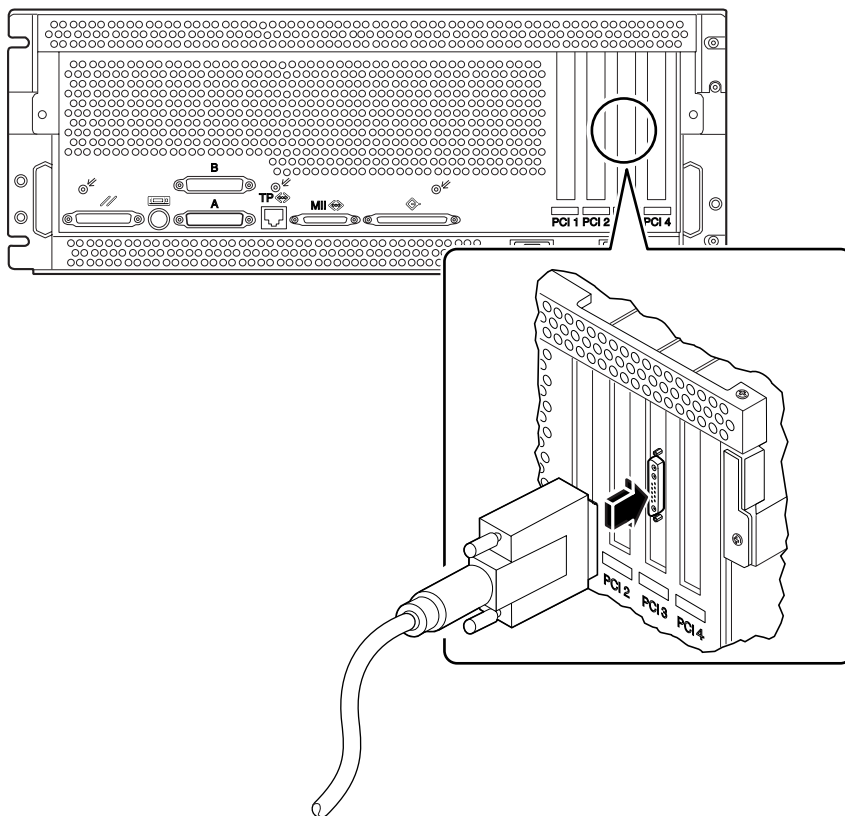
1. Instale la tarjeta gráfica en una ranura PCI vacía.

Consulte el *Sun Enterprise 220R Server Service Manual* o acuda a un proveedor de servicios autorizado de Sun.

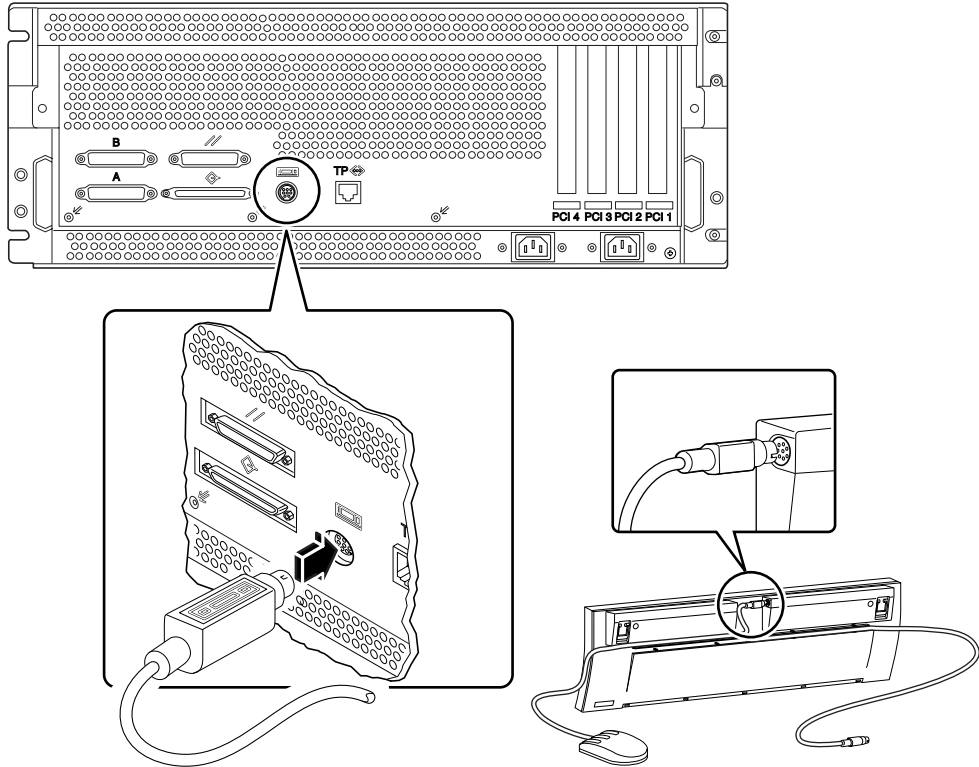
2. Conecte el cable de vídeo del monitor al puerto de la tarjeta gráfica.

Presione los tornillos para asegurar la conexión.

3. Conecte el cable de alimentación del monitor a una toma de CA de tierra.



4. Conecte el ratón al teclado.
5. Conecte el teclado al sistema.



Montaje del rack

Consulte las instrucciones suministradas con el rack para llevar a cabo el procedimiento siguiente.

1. **Organice los cables en el bastidor del rack.**
2. **Si es necesario, pliegue los pies antivuelco.**
3. **Si es necesario, vuelva a montar los paneles laterales.**
4. **Si es necesario, vuelva a colocar las puertas delantera y trasera.**

Encendido del sistema



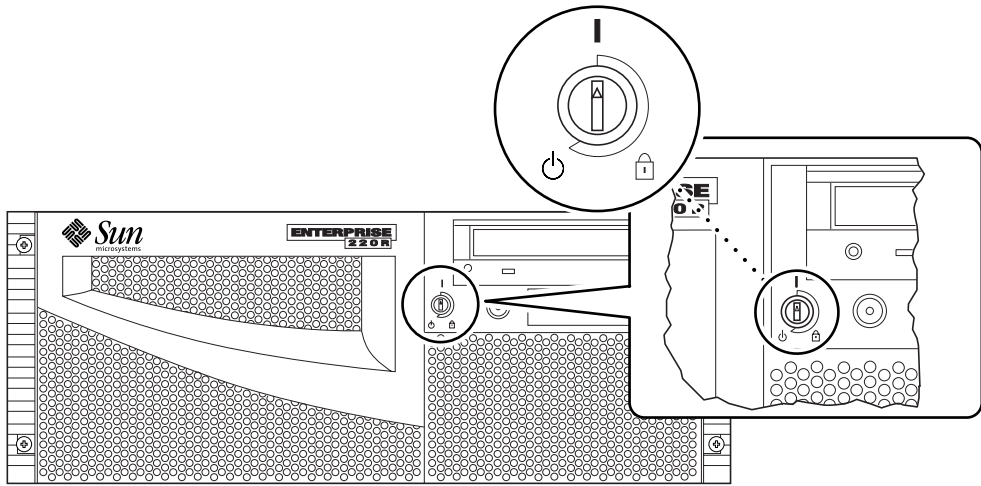
Precaución - No mueva nunca el sistema mientras se encuentra encendido. El movimiento puede provocar daños irreparables en la unidad de disco. Apague el sistema siempre que vaya a moverlo.



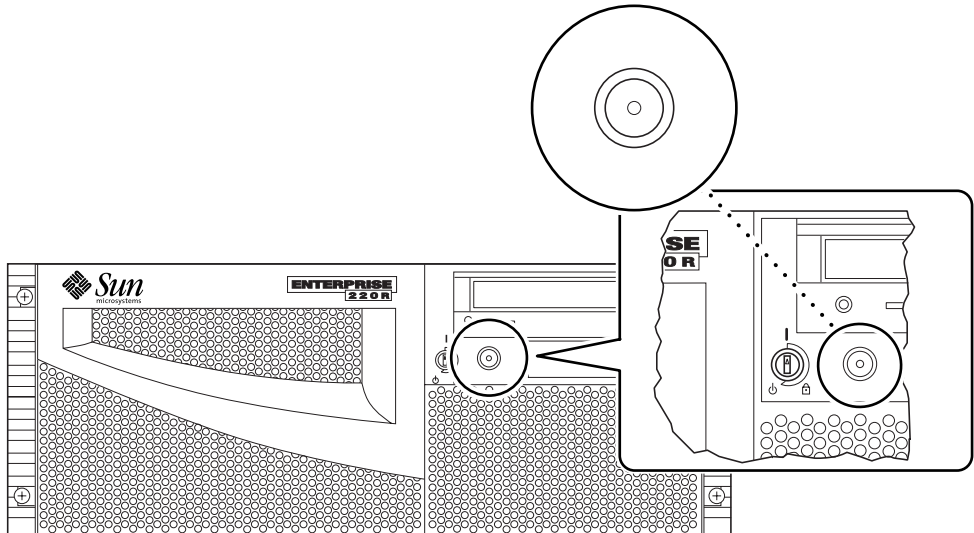
Precaución - Antes de encender el sistema, asegúrese de que la cubierta está correctamente instalada.

1. **Encienda los periféricos conectados y cualquier dispositivo de almacenamiento externo.**
2. **Encienda el monitor o el terminal, si existen.**

3. Gire el selector del panel frontal a la posición de encendido/apagado.



4. Presione una vez el botón de encendido situado en el panel frontal.

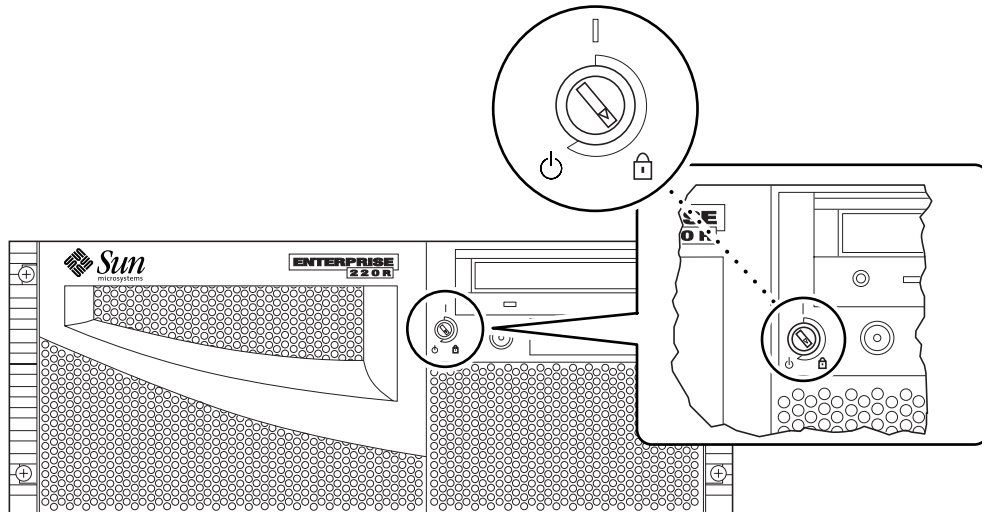


Nota - Es posible que transcurran entre 30 segundos y dos minutos hasta que aparezca la imagen de vídeo en el monitor del sistema o se muestre el indicador OK en el terminal conectado. Este periodo depende del nivel de operaciones de diagnóstico automático (POST) que se realicen.

Nota - Si necesita apagar el sistema, consulte el *Manual del usuario del servidor Sun Enterprise 220R* para obtener más información.

5. Gire el selector a la posición de bloqueo.

De este modo se impide el apagado accidental del sistema.



Instalación del sistema operativo

Si va a instalar el entorno operativo Solaris 7 o una versión posterior, consulte la documentación suministrada con el software Solaris™ y el *Manual del usuario del servidor Sun Enterprise 220R* para obtener la información oportuna.

Si va a instalar el entorno operativo Solaris 2.6 Hardware 5/98, debe utilizar el *Operating Environment Installation CD* que se suministra con el sistema. Durante el proceso de instalación, este CD instala algunos parches de actualización de software con los que es posible utilizar versiones de Solaris que se ejecutan con CPU a 450 MHz, pero no proporciona el contenido de esas versiones.

Necesita disponer del kit de soporte de Solaris 2.6 Hardware 5/98 para poder instalar este entorno operativo. En el momento adecuado del proceso de instalación, el *Operating Environment Installation CD* solicita la instalación del software de Solaris.

Este CD no es necesario si se va a utilizar el entorno operativo Solaris 7 o una versión posterior.

Si precisa instrucciones de instalación, consulte el documento incluido en el *Operating Environment Installation CD*.

Documentación de instalación en línea

El juego de documentación incluye un CD-ROM con documentación en formato electrónico que describe la forma de utilizar y mantener el sistema. Consulte los documentos suministrados en este CD-ROM para obtener instrucciones de instalación.

Requisitos que debe cumplir el rack

El servidor está diseñado para su instalación en un armario de expansión Sun de 184 cm de altura, o en cualquier otro armario de tipo EIA que cumpla los requisitos especificados en la tabla siguiente. Es necesario disponer de un kit de montaje de Sun por cada servidor que se vaya a instalar en el armario.

Característica del rack	Requisito
Capacidad de carga	El rack debe soportar sin problemas el peso de un servidor Sun Enterprise 220R (34 kg), el peso de las piezas de montaje y el de cualquier otro dispositivo instalado.
Requisitos de espacio vertical	Cada servidor precisa cuatro unidades de rack (17,78 cm) de espacio vertical para su instalación en rack. Un armario de 183 cm puede albergar hasta nueve servidores.
Circulación del aire	El sistema precisa aproximadamente 53 l/seg. a 40° C a 3.000 m. Este índice de flujo corresponde aproximadamente a 149 kg/hr a cualquier altitud y a 36 l/seg. a 40°C al nivel del mar. A fin de conseguir una ventilación adecuada, cada sistema del rack precisa 181 cm cuadrados en la parte frontal para la libre entrada del aire y otros 148 cm cuadrados en la parte posterior como vía de salida. Mantenga un mínimo de 3,8 cm de espacio libre entre el sistema y cualquier puerta frontal o trasera.

Característica del rack	Requisito
Requisitos de los raíles de montaje verticales	<p>El rack debe tener dos pares de raíles de montaje verticales (un par en el frente y otro en la parte trasera) que cumplan las especificaciones EIA (RETMA) de espacio entre los orificios de montaje.</p> <p>El espacio horizontal entre los raíles izquierdo y derecho (entre los centros de los orificios de montaje) para los raíles frontales y traseros debe ser de 46,5 cm.</p> <p>El espacio horizontal entre el rail delantero y trasero debe ser de 68,26 cm como mínimo y de 88,5 cm como máximo, desde la superficie exterior del rail frontal a la superficie exterior del rail trasero.</p> <p>Las superficies de los raíles verticales deben ser paralelas entre sí y paralelas con el plano frontal del rack.</p>
Puertas y paneles	Si se utiliza un armario de expansión de Sun, es posible desmontar la puerta frontal y los paneles laterales para facilitar el acceso al sistema. Si no es así, es preciso consultar las instrucciones suministradas con el rack.
Requisitos sobre interferencias electromagnéticas	La carcasa del sistema y los paneles laterales de metal, que permanecen instalados cuando se monta la unidad en el rack, cumplen los requisitos de protección frente a interferencias electromagnéticas (EMI).
Protección antivuelco	El rack debe estar firmemente fijado al suelo o equipado con un pie extensible antivuelco que sea suficientemente sólido. Es preciso evitar la inclinación del armario hacia delante cuando se deslizan hacia fuera uno o varios sistemas o dispositivos.
Espacio mínimo de acceso para mantenimiento	<p>Es preciso dejar un mínimo de 1 metro de profundidad y 2 metros de anchura en la parte frontal del rack para facilitar la instalación y el mantenimiento del sistema.</p> <p>Cuando el sistema se extrae por completo mediante las guías correderas de montaje, sobresale 75,6 cm de los raíles verticales situados en el frente del rack.</p>
Resistencia al fuego	El rack debe cumplir los requisitos especificados por Underwriters Laboratories, Inc. y TUV Rheinland of N.A. en materia de resistencia al fuego.

Handbok för installation och rackmontering

I den här handboken tar vi upp hur du installerar arbetsgruppsservern Sun Enterprise™ 220R i ett Sun-expansionskabinett eller något annat EIA-kompatibelt rack.

Följande moment och ämnen tas upp i handboken:

- Komma igång — sidan sv-2
 - Packa upp systemet — sidan sv-2
 - Kontrollera innehållet — sidan sv-3
- Rackinstallation — sidan sv-7
 - Nödvändiga verktyg — sidan sv-7
 - Säkerhetsföreskrifter — sidan sv-8
 - Förbereda racket — sidan sv-9
 - Fästa monteringsrälsar på de båda skensatserna — sidan sv-10
 - Installera skensatser i racket — sidan sv-13
 - Installera servern i rack — sidan sv-17
- Göra i ordning systemet — sidan sv-21
 - Ansluta nätsladden — sidan sv-22
 - Ansluta Ethernet-kabeln — sidan sv-25
 - Installationstillval — sidan sv-27
 - Installera en systemkonsol — sidan sv-27
 - Återställa racket — sidan sv-31
 - Slå på systemet — sidan sv-31
 - Installera operativsystemet — sidan sv-34
 - Installera online-dokumentation — sidan sv-34
- Krav på rack — sidan sv-35

Komma igång

För att installera Sun Enterprise-servern måste du göra följande i angiven ordning:

- Packa upp systemet och se till att allt verkar vara helt och att inget fattas. Se kapitel 1.
- Rackmontera servern. Se kapitel 2.
- Konfigurera och slå på servern och installera operativsystemet. Se kapitel 3.

Packa upp systemet

Systemet levereras från fabrik med de flesta interna tillval installerade.

Tillbehör som inte är fabriksinstallerade levereras separat. Instruktioner för upppackning finns på utsidan av kartongen som servern levereras i.

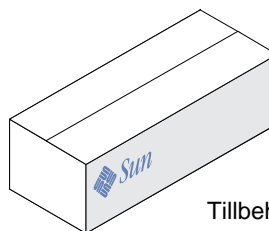
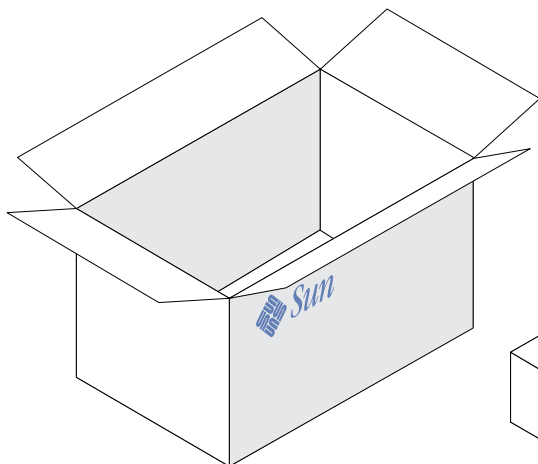
Titta på alla kartongerna så att det inte finns några tecken på fysiska skador. Om någon kartong är skadad måste du be en representant från transportföretaget att närvara när kartongen öppnas. Låt representanten titta på allt innehåll och packningsmaterial.

Kontrollera att du har fått allt ni beställde. Kontakta Sun Microsystems eller er distributör/återförsäljare om någonting saknas.

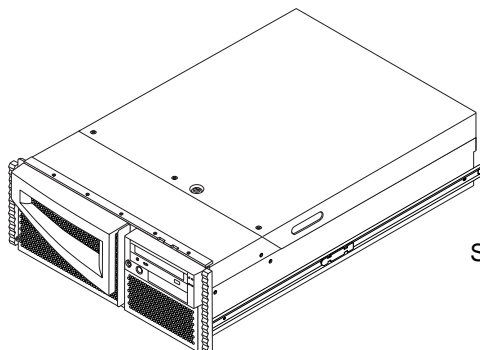
Kontrollera innehållet

Kartongen skall innehålla följande:

- Själva arbetsgruppsservern Sun Enterprise 220R
- Tillbehörslåda



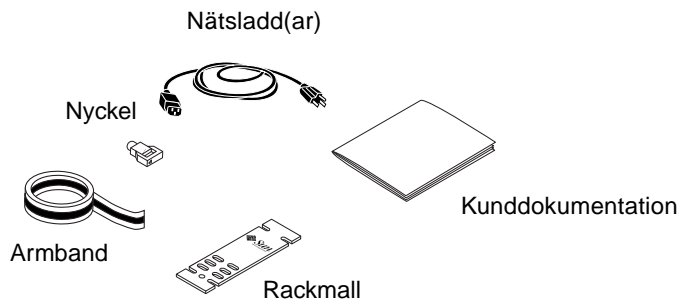
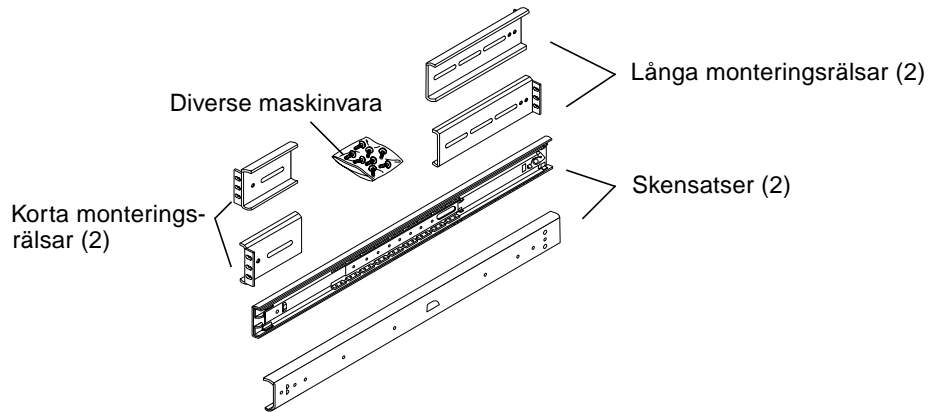
Tillbehörslåda



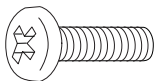
Sun Enterprise 220R

Innehåll i tillbehörsådan

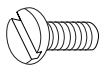
Tillbehörsådan skall innehålla följande:



Tillbehörsådan innehåller också en plastpåse med diverse maskinvara: skruvar, muttrar, brickor, här visade i naturlig storlek. Du kommer att behöva den här maskinvaran för att installera rackmonteringsrälsarna och skensatserna.



10-32 x 3/4-
skruv (8)



8-32 x 3/8-
skruv (8)



platt
bricka (8)



lås-
bricka (8)



muttrar (8)

Obs! Det behövs speciella muttrar (som inte ingår) för installation i rack som inte är gjorda för skruvar. Se instruktionerna för hantering av racket för mer information. Sådana muttrar ("bar nuts") används inte i Sun-rack.

Rackinstallation

Det här kapitlet innehåller steg-för-steg-instruktioner för hur du rackmonterar servern i ett Sun-expansionskabinett eller något annat EIA-kompatibelt rack.

För att rackmontera Sun Enterprise 220R gör du följande i den angivna ordningen:

- “Förbereda racket” på sidan sv-9
- “Fästa monteringsrälsar på de båda skensatserna” på sidan sv-10
- “Installera skensatser i racket” på sidan sv-13
- “Installera servern i rack” på sidan sv-17

Sun Enterprise 220R Server: Översikt över rackmontering som ingår i dokumentationen visar på ett enkelt sätt hur man monterar servern i rack. I det här kapitlet finns det detaljerad information om vart och ett av stegen.

Nödvändiga verktyg

- En nummer-två-stjärnskruvmejsel
- Skruvmejsel med platt blad
- En uppsättning sexkantsnycklar för att du skall kunna ta loss sidopanelerna på vissa rack
- En justerbar skiftnyckel för att skruva åt muttrarna på monteringsrälsarna.

Innan du börjar

- Packa upp systemet och kontrollera att inget fattas eller ser defekt ut. Se kapitel 1 för instruktioner.
- Packa upp innehållet i tillbehörlådan och placera skensatserna, monteringsrälsarna och själva maskinvaran på en tom yta.
- Kontrollera att du har det som visas i "Innehåll i tillbehörlådan" på sidan sv-4.
- Läs kraven för rackmontering i Appendix A i handboken.
- Läs de säkerhetsföreskrifter som följer.

Säkerhetsföreskrifter

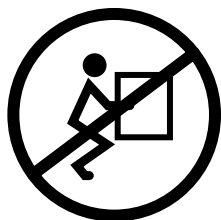
En fullständig lista med säkerhetsföreskrifter i anknytning till installation av Sun Enterprise 220R hänvisar vi till *Ägarhandbok för Sun Enterprise 220R*.



Varning! Installera systemet så långt ned i racket som det går. För att få så låg tyngdpunkt som möjligt bör du inte montera servern ovanför utrustning som väger mindre än servern.



Varning! Systemet är tungt. När du följer de här instruktionerna behöver du en person till som hjälper dig med att flytta systemet. Det behövs även någon som hjälper till när skensatserna skall riktas in och installeras i racket.





Varning! För att ventilationen skall fungera kräver varje system i racket 181 kvadratcentimeter obegränsat luftinflöde på systemets farmsida och 148 kvadratcentimeters obegränsat luftutflöde på systemet baksida. Det skall vara minst 3,8 cm mellan systemet och eventuella dörrar på rackets fram- eller baksida. Se Appendix A för mer information.

Förbereda racket

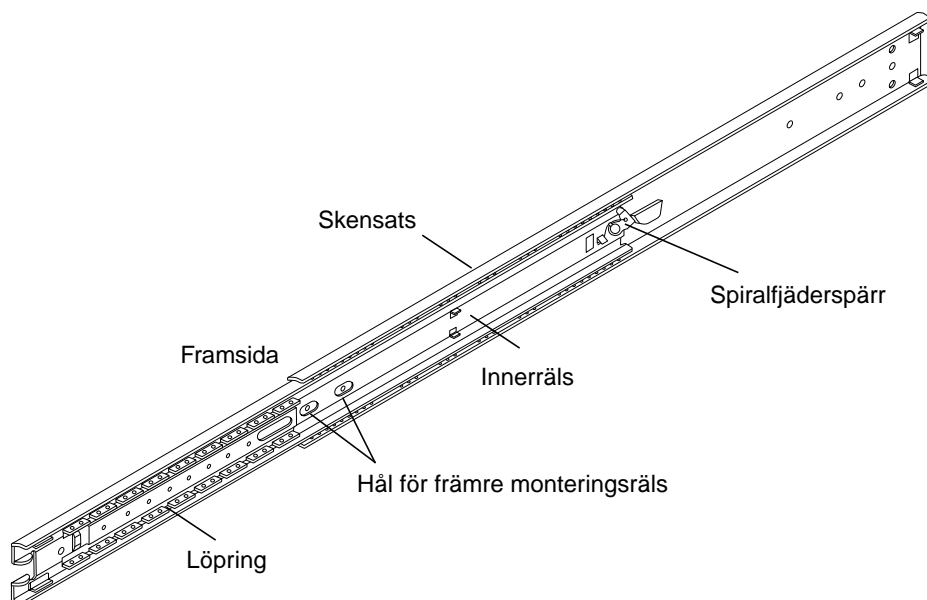
- 1. Öppna och ta loss (om det behövs) dörrarna på rackets fram och baksida.**
Se de instruktioner du fick med racket för information om hur du gör detta.
- 2. Stabilisera racket genom att dra ut de fötter som är till för att racket inte skall ramla eller genom att fästa racket ordentligt i golvet.**
Se de instruktioner du fick med racket för information om hur du gör detta.
- 3. Om detta är aktuellt tar du loss rackets sidopaneler.**
Se de instruktioner du fick med racket för information om hur du gör detta. Om du tar loss sidopanelerna kan det gå lättare att komma åt de skruvar och muttrar som skall intalleras när systemet sätts fast i racket.

Fästa monteringsrälsar på de båda skensatserna

Fäst en kort och en lång monteringsräls på utsidorna av skensatserna.

Upprepa dessa steg med alla skensatserna.

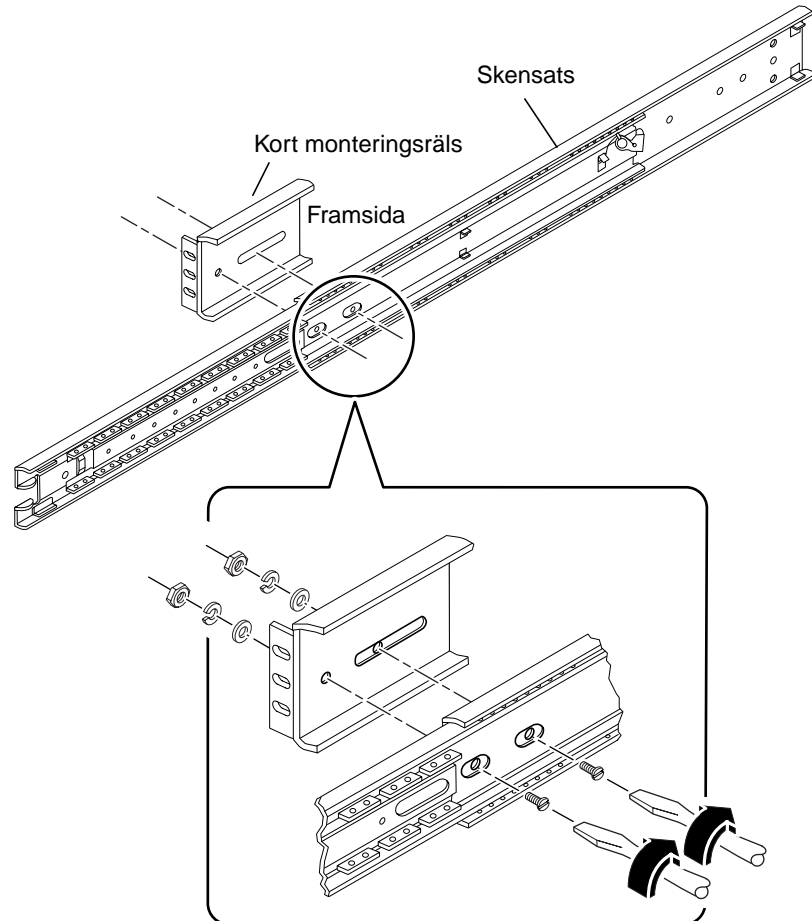
1. Fäst en kort monteringsräls på framsidan av varje skensats.
 - a. Dra ut skensatsen för att få fram hålen för den främre monteringsrälsen.
Släpp spiralfjäderspärren för att dra ut skensatsen.



b. Placera en kort monteringsräls över framsidan på monteringsatsen.

Den utstickande delen av rälsen skall vara monterad mot framsidan av skensatsen. Detta visas i figuren.

c. Fäst den korta monteringsrälsen på skensatsen. Använd två 8-32-skrivar med koniskt huvud med en platt bricka, en låsbricka och en mutter för varje skruv.



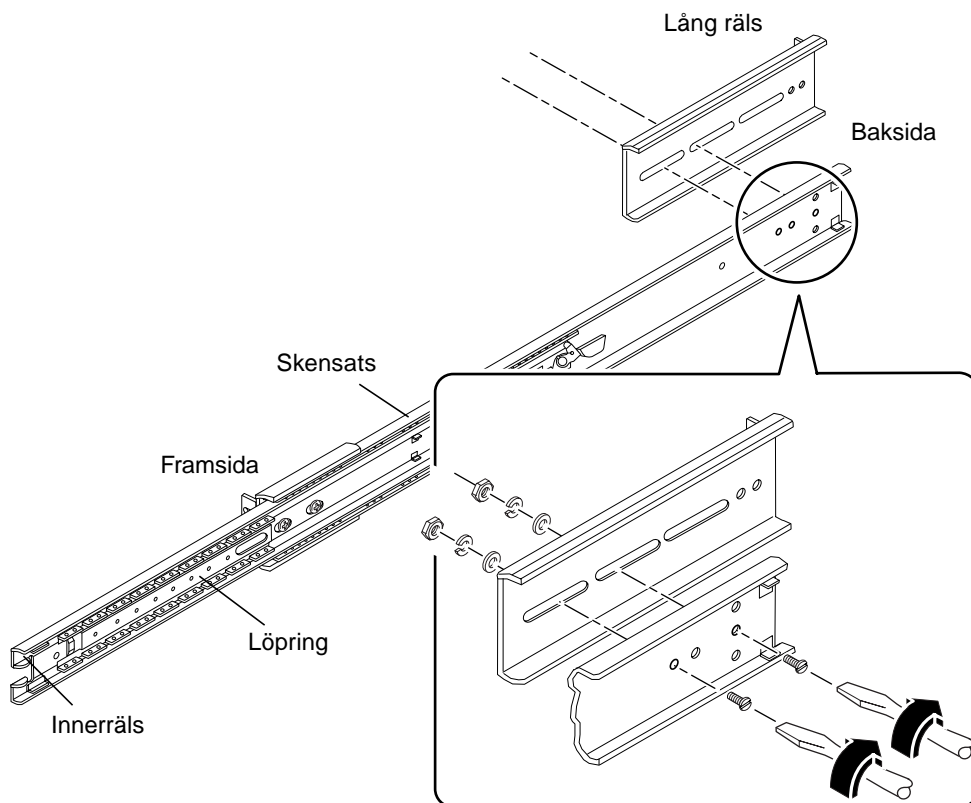
2. Fäst en lång monteringsräls på baksidan av varje skensats.

a. Placera den långa monteringsrälsen ovanför den bakre delen av skensatsen.

Placera de förlängda platserna i slutet av den långa monteringsrälsen ovanför hålen på skensatsen. Detta visas i figuren.

b. Skruva fast den långa monteringsrälsen löst vid skensatsen. Använd två 8-32-skrivar med koniskt huvud och platt bricka, en låsbricka och en mutter för varje lång monteringsräls.

Skruva inte åt skruvarna helt. Du kan behöva justera placeringen av monteringsrälsen när du installerar skensatsen i racket.



3. Tryck in den inre rälsen (i racket) och löpringen på varje skensats.

a. Tryck den inre rälsen genom hela skensatsen. Om det behövs lossar du på spiralfjädern.

b. Tryck in löpringen tills den stannar.

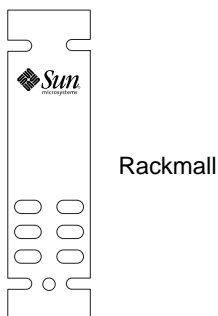
Installera skensatser i racket

1. Leta upp och markera på rackets lodräta monteringsrälsar rätt placeringar där skensatserna skall monteras.

Det skall vara fyra rackenheter (7,0 tum/17,78 cm) eller 12 hål per server. Eftersom hålen i ett vanligt rack finns i omgångar med tre hål med mellanrum på 5/8, 5/8 och 4/8 tum beror exakt vilka hål som skall användas för att installera en skensats på var du placerar systemet.

Du kan antingen räkna hålen så att varje skensats installeras på samma höjd i djup- och sidled eller använda den Rackmallen som medföljer systemdokumentationen. Markera platsen på racket med en tuschpenna eller maskertejp.

Installera skensatserna så långt ned som möjligt. Om det här är det första systemet som du monterar i racket använder du hål 3 och 4 eller 5. Installera ytterligare servrar nedifrån och upp.

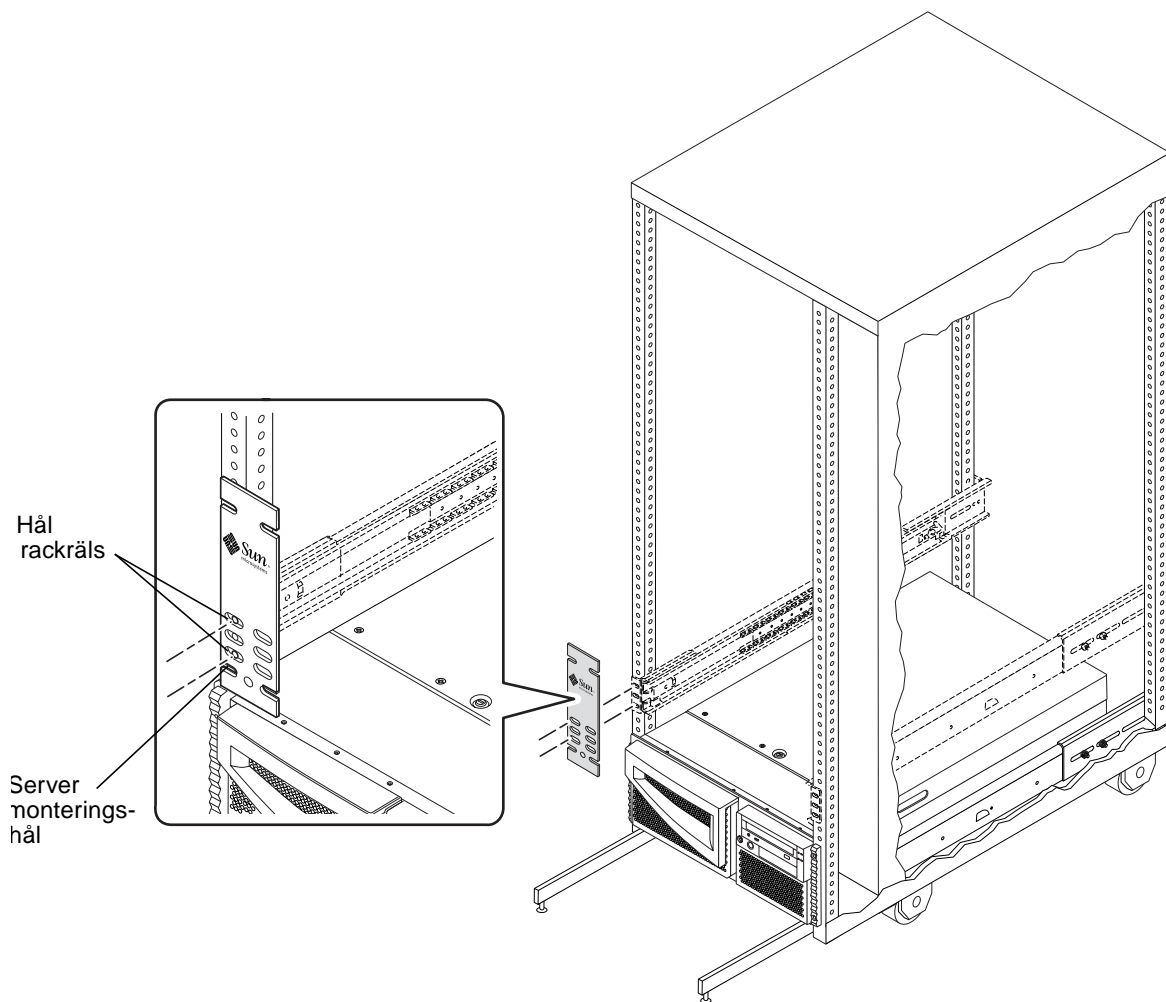


Gör så här för att använda Rackmallen:

- a. Placera Rackmallen över den främre vänstra rälsen i racket. Se följande figur.
- b. Flytta nederdelen av Rackmallen till exakt det läge där nederdelen av systemet skall vara.
- c. Justera Rackmallen så att hålet för den nedersta skruven som skall hålla fast servern är mitt på Rackmallen.

d. Titta genom de tre hålen på Rackmallen och leta fram de två rackrälshålen som syns mest genom Rackmallen. Markera dessa båda hål.

Använd de här två rackrälshålen för att fästa skensatsen i racket. Du kommer bara att använda två av de tre hålen för att fästa skensatsen. Satsens räls har tre hål för att den skall fungera med olika mellanrum mellan hålen. Markera motsvarande hål på den högre främre lodräta rälsen.



2. Fäst den ena skensatsen på den högra rackmonteringsrälsen och den andra på den vänstra. Se följande figur.

a. Med hjälp av en assistent placerar du skensatsen på insidan av racket med den korta monteringsrälsen mot rackets framsida.

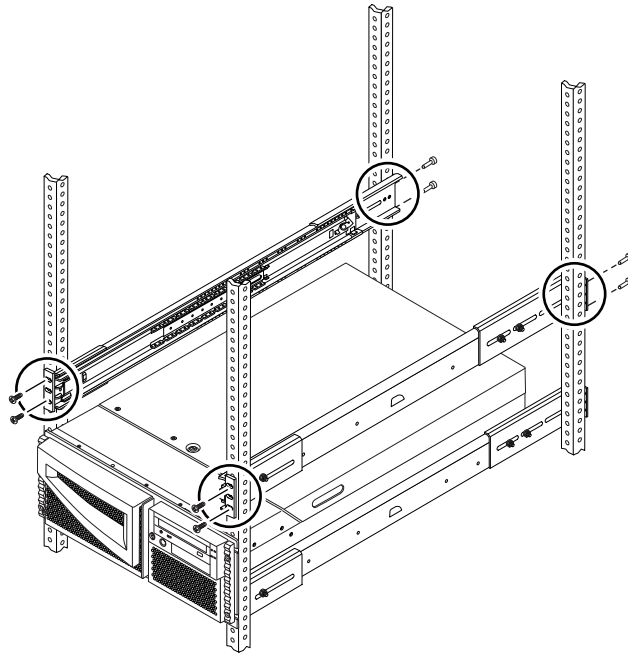
Räkna antalet hål så att alla skensatserna installeras på samma höjd i djup- och sidled i racket eller använd Rackmallen såsom beskrivs i steg 1.

b. Fäst den främre korta monteringsrälsen på den ena skensatsen vid rackets främre räls.

Skruva fast kombinationen av skensats och monteringsräls i rackets främre räls med två 10-32-stjärnskruvar med koniska huvuden. Använd de hål du markerade i steg 1. Skruva åt skruvarna med fingrarna. Skruva inte åt skruvarna helt förrän alla skruvarna sitter på plats och du ser att skensatserna inte lutar.

c. Skruva fast den långa monteringsrälsen på samma skensats på rackets bakre räls.

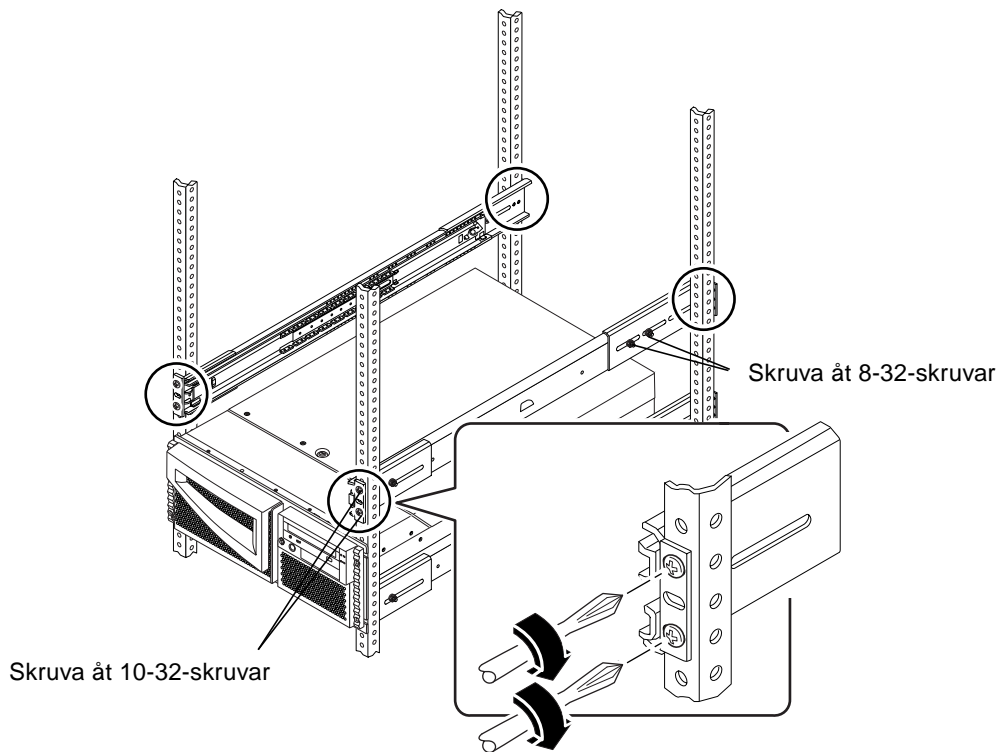
Skruva fast kombinationen av skensats och monteringsräls i rackets bakre räls med två koniska 10-32-stjärnskruvar. Skruva åt skruvarna med fingrarna. Skruva inte åt skruvarna helt förrän alla skruvarna sitter på plats och du ser att skensatserna inte lutar.



Obs! Du kan behöva dra den bakre monteringsälsan framåt eller bakåt relativt skensatsen för att det skall passa rackets djup.

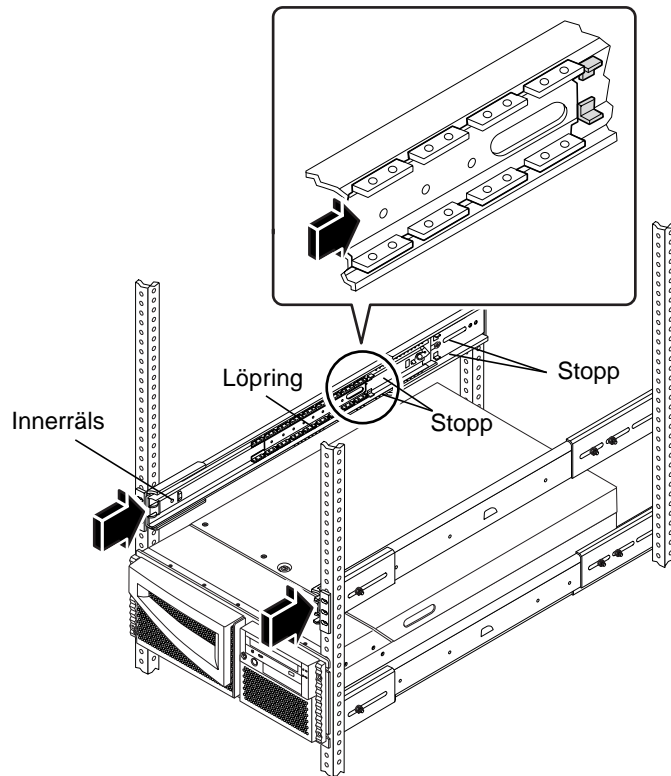
3. Skruva åt alla rackmonteringsskruvarna.

- a. Kontrollera att alla skensatserna sitter rakt i djup- och sidled.
- b. Skruva åt de åtta 10-32-skruvarna som håller fast de korta och långa monteringsrälsarna vid rackets lodräta rälsar.
- c. Skruva åt de fyra 8-32-skruvar som håller fast de långa monteringsrälsarna vid skensatserna.



Installera servern i rack

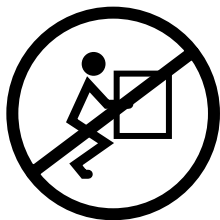
1. Kontrollera att löpringen på de olika skensatserna är så långt intryckta i isättningsatsen som det går. Detta visas i figuren.
 - a. Tryck in den inre rälsen på varje skensats tills den når det stopp som ligger längst bort från rackets framsida.
 - b. Tryck in löpringen i skensatsen tills den stannar.



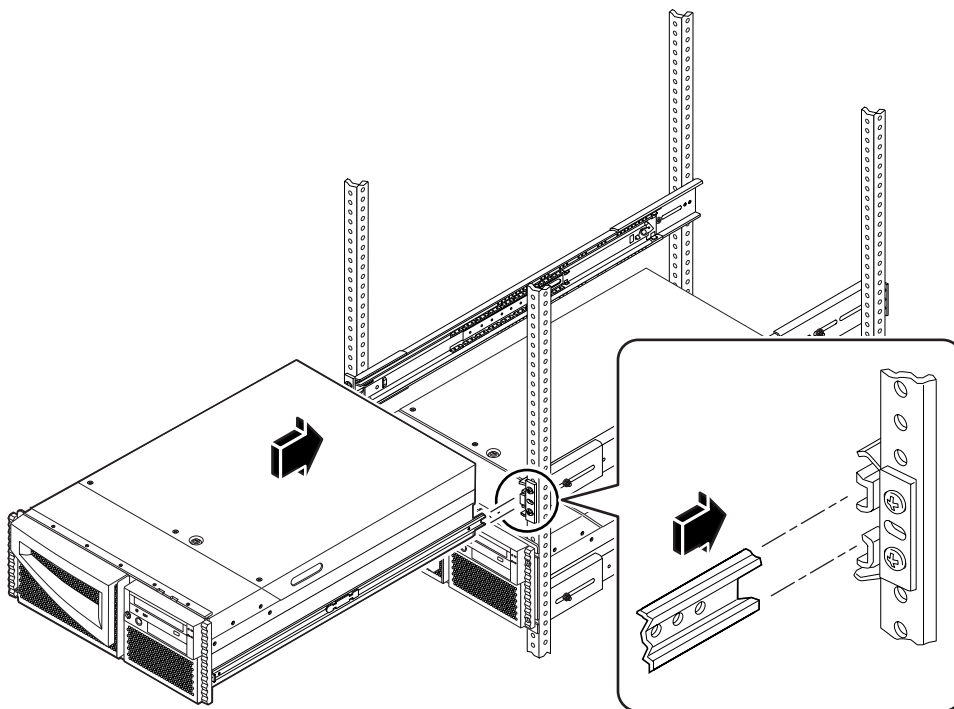
2. Lyft servern (en person på varje sida) och rikta den med baksidan mot racket.



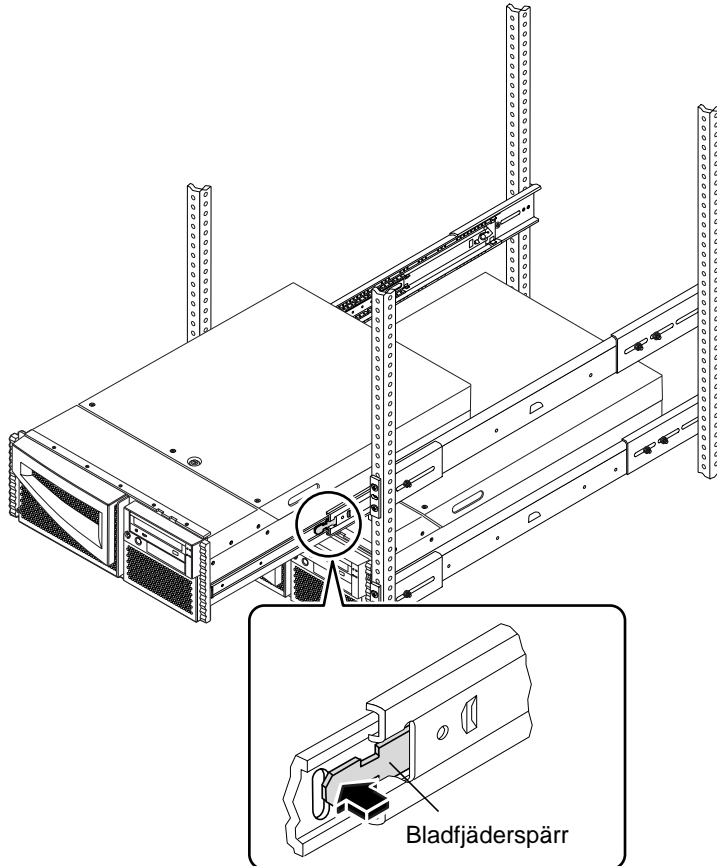
Varning! Systemet är tungt. Det behövs två personer för att flytta det.



3. Rikta in den skärade delen av de inre skenorna på servern med skensatserna i racket.

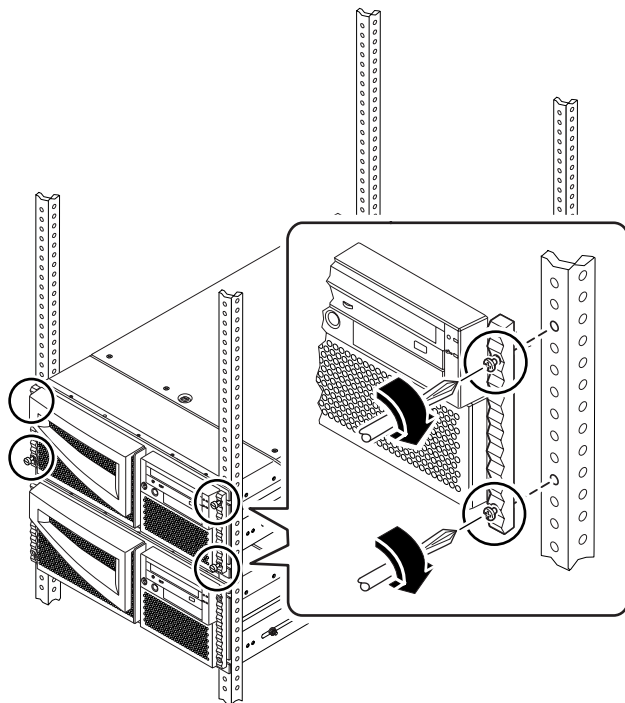


4. Tryck in servern jämnt i racket tills dess skenor inte kommer längre i rackets skenor.
5. På varje sida av chassit trycker du in bladfjäderspärren och trycker in servern hela vägen i racket.



6. Skruva fast chassit vid de vänstra och högra lodräta rälsarna på rackets framsida.

Använd en nummer-två-stjärnskruvmejsel för att skruva åt de fyra skruvarna som skall hålla fast systemet i racket. Dessa skruvar sitter i fördjupade hål i dekorationspanelerna som sitter på systemets frontpanel. Detta visas i figuren.



Obs! Om du tog loss sidopanelerna från racket sätter du inte tillbaka dem förrän du har utfört instruktionerna i kapitel 3.

Fortsätt nu med...

Gå till kapitel 3 och utför instruktionerna där, som gäller inkoppling av nätsladd och kablar till bakpanelen, påslagning av systemet och installation av operativsysteme.

Göra i ordning systemet

De här kapitlet innehåller instruktioner för hur du ansluter de nätsladdar och kablar som behövs för att servern skall fungera i er miljö. När programvaran är inblandad förklarar det här kapitlet en del av vad du behöver göra, och hänvisar till handböcker för respektive program för mer information.

Utför de här instruktionerna för att slutföra konfigurationen av systemet:

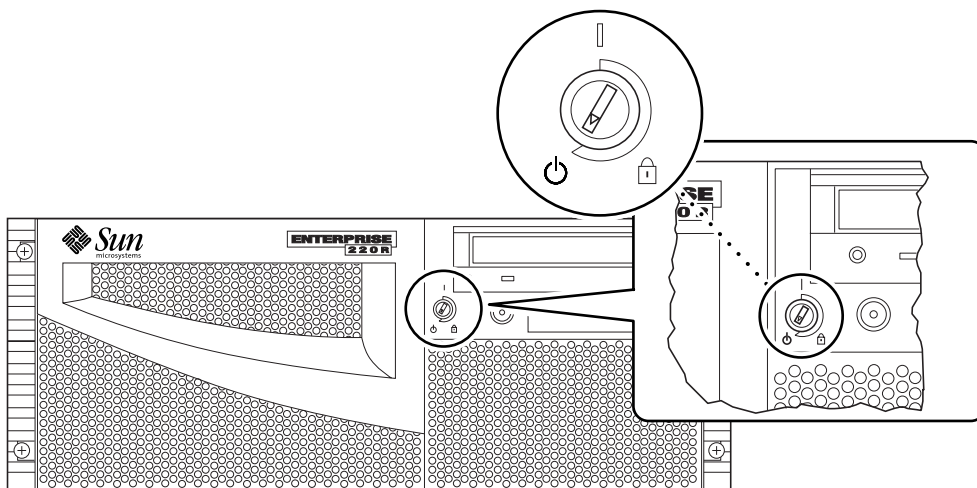
- “Ansluta nätsladden” på sidan sv-22
- “Ansluta Ethernet-kabeln” på sidan sv-25
- “Installationstillval” på sidan sv-27
- “Installera en systemkonsol” på sidan sv-27
- “Återställa racket” på sidan sv-31
- “Slå på systemet” på sidan sv-31
- “Installera operativsystemet” på sidan sv-34
- “Installera online-dokumentation” på sidan sv-34

Om du behöver stänga av systemet hänvisar vi till:

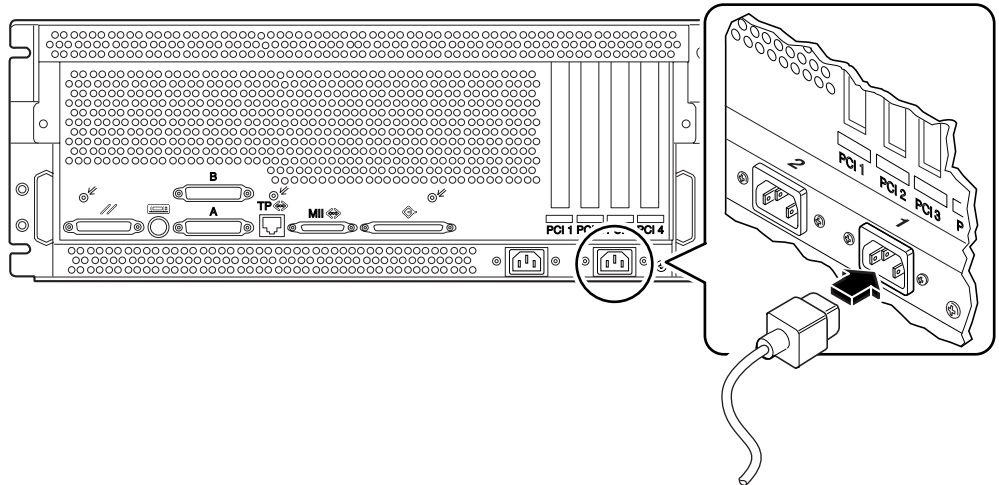
- *Ägarhandbok för Sun Enterprise 220R*

Ansluta nätsladden

1. Vrid nyckelbrytaren på frontpanelen till Standby-läge.



2. Anslut nätsladden (för växelström) till den högra strömkontakten med etiketten 1 på baksidan av systemet.



3. Anslut den andra änden av nätsladden till en strömsekventierare i racket eller till ett växelströmsuttag.

Se de instruktioner du fick med racket för information om strömsekventieraren. Uttaget måste vara anslutet till en säkring på 15A i Nordamerika och Japan och en säkring på 10A i Europa.

Obs! Om servern har ett andra nätaggregat, ansluter du den andra nätsladden för växelström till den högra strömkontakten med etiketten 2. Du kan ansluta det andra aggregatet till samma växelströmssäkring som du anslöt det första till. Men för maximal redundans bör de två aggregaten anslutas till olika säkringar.

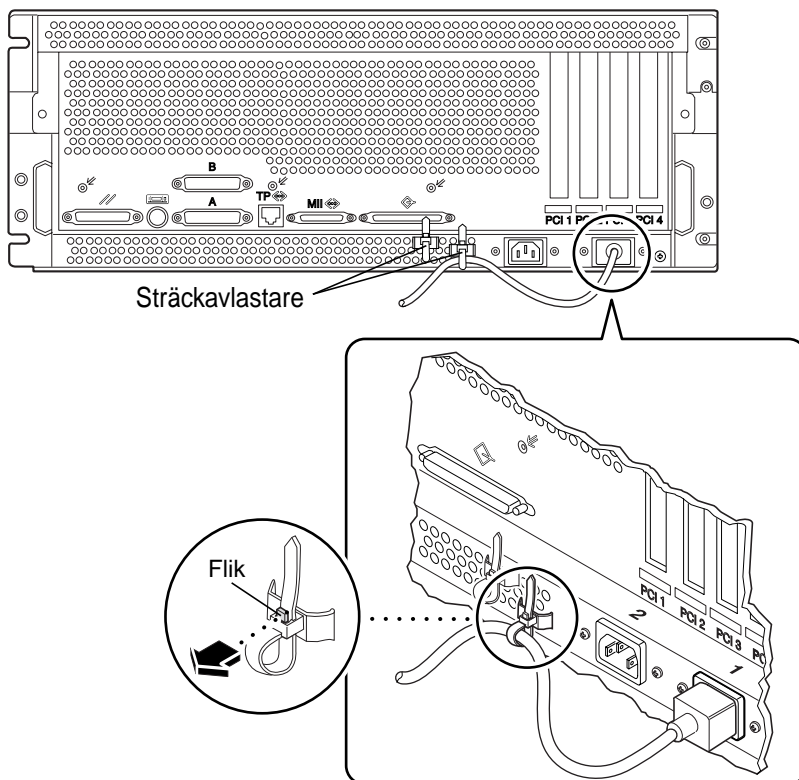
Obs! Systemet passar för användning med IT-strömssystem.

4. Fäst nätsladden/-arna vid de sträckavlastande buntbanden på bakpanelen.

Sun Enterprise 220R levereras med två sträckavlastare på bakpanelen. En sträckavlastare är ett buntband av plast på en bas som sitter på systemets bakpanel. Använd de här avlastarna för att hantera strömsladdarna när du drar systemet in och ut ur racket.

För att fästa en nätsladd trär du buntbandets lösa ände runt sladden och sätter den i öppningen på sträckavlastarens bas. Dra i änden för att dra åt bandet.

För att lossa sladden från bandet trycket du ned fliken på sträckavlastarens bas och lossar på buntbandet.



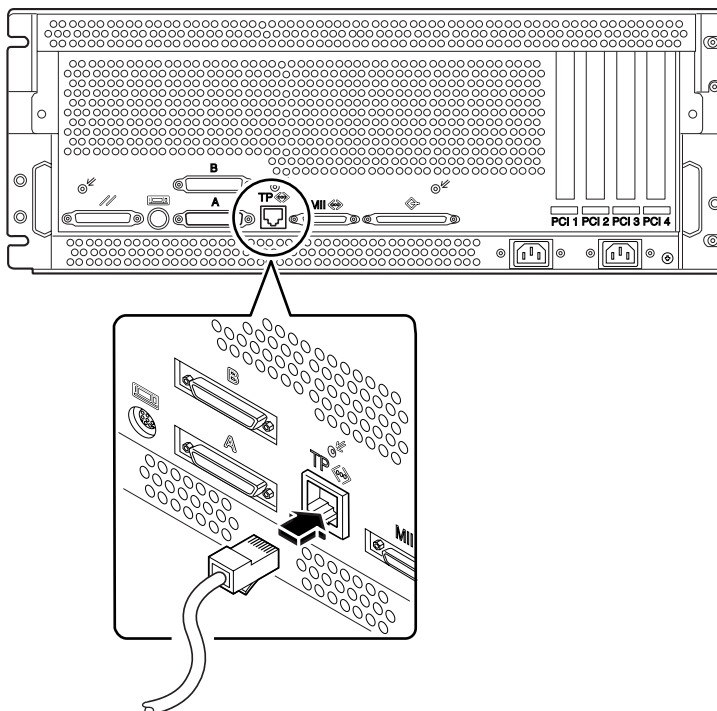
Ansluta Ethernet-kabeln

Anslut bara en Ethernet-kabel till standard-Ethernet-porten på systemets baksida— antingen en TPE-kabel (twisted pair ethernet) eller en MII-transceiver (Media Independent Interface). Om du behöver fler Ethernet-anslutningar måste du installera PCI-Ethernet-kort för dessa.

Sun Microsystems tillhandahåller en MII-till-AUI-transceiver som kan beställas separat. Det finns också MII-transceivers från andra leverantörer för anslutning till Ethernet-nätverk med kablage av typerna TX, T4, FX och AUI. Se *Ägarhandbok för Sun Enterprise 220R* för mer information.

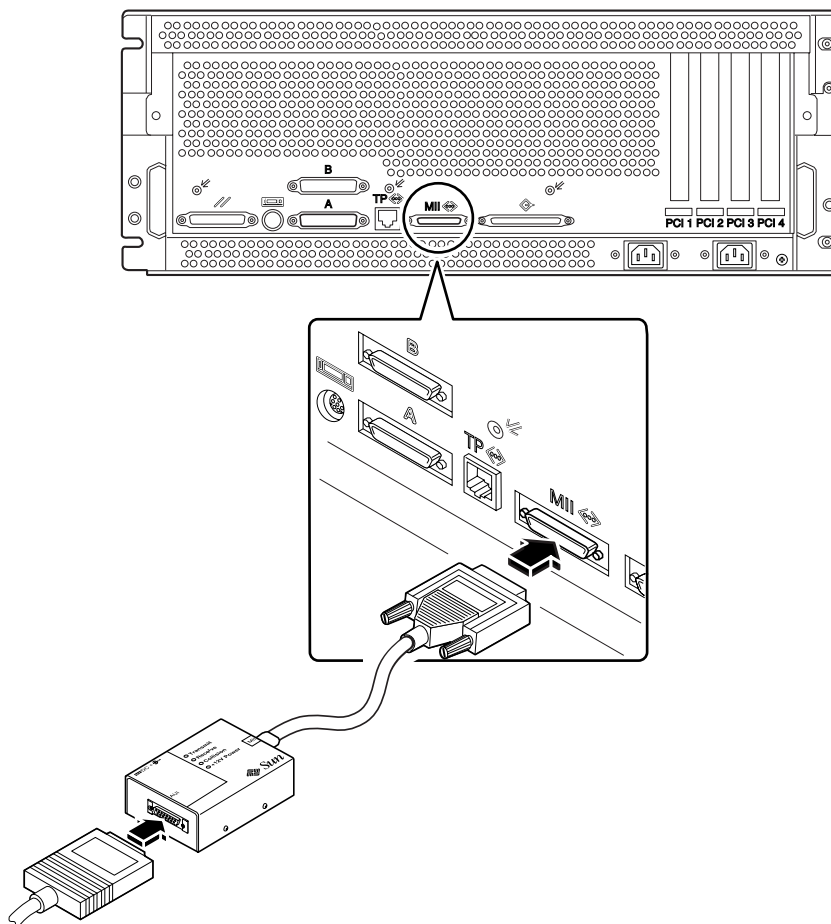
1. Gör så här för att ansluta en TPE-kabel:

- a. Anslut TPE-kabeln till RJ-45-kontakten på systemets bakpanel.
- b. Anslut kabelns andra ände till TPE-uttaget i golvet eller på väggen.



2. Gör så här för att ansluta en MII-transceiver:

a. Anslut en MII-transceiver till MII-Ethernet-kontakten på systemets bakpanel.



b. Anslut nätverks-AUI-kabeln till AUI-kontakten på transceivern. Lås fast AUI-kontakten.

Dra spärren åt höger för att låsa fast AUI-kabeln vid transceivern. Använd en skruvmejsel med platt blad om det behövs.

c. Anslut den andra änden av MII-transceivern till rätt nätverkskabel.

Installationstillval

Många av de tillval du beställde till systemet kan ha förinstallerats i fabriken. För information om hur du installerar andra tillval hänvisar vi till *Sun Enterprise 220R Server Service Manual*. Du kan även kontakta er kvalificerade Sun-servicerepresentant. För information om installation av ytterligare en intern hårddisk hänvisar vi till *Ägarhandbok för Sun Enterprise 220R*.

Installera en systemkonsol

För att installera serverprogramvara, eller diagnostisera ett problem måste du ha något sätt som du kan skriva in systemkommandon och se systemets svar på. Du kan göra något av följande:

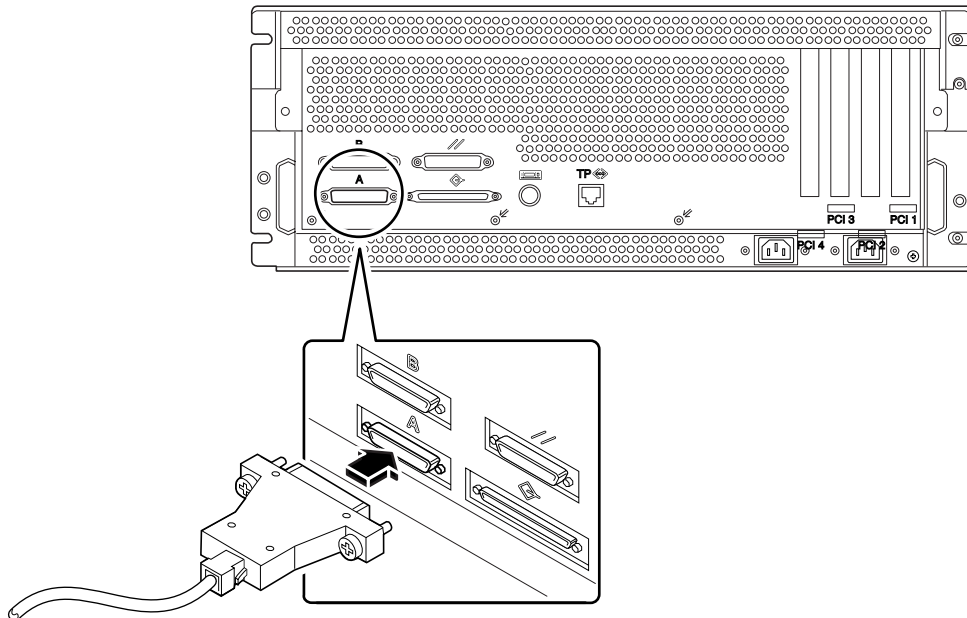
- Upprätta en `tip`-anslutning från något annat Sun-system.
- Ansluta en ASCII-terminal till serieport A.
- Installera grafikkort, skärm och tangentbord i/till servern. Dessa komponenter levereras inte med servern.

Gör så här för att konfigurera en `tip`-anslutning

För information om `tip`-anslutningar hänvisar vi till *Ägarhandbok för Sun Enterprise 220R*.

Gör så här för att ansluta en ASCII-terminal

1. Anslut terminalens datakabel till serieport A på serverns bakpanel.



2. Anslut terminalens nätsladd till ett jordat ström uttag.

3. Ställ in terminalen att:

- Ta emot med 9600 baud
- Använda en 8-bitarssignal utan paritet med en 1 stoppbit.

Gör så här för att installera en grafisk konsol

För att installera en lokal grafisk konsol behöver du ett PCI-baserat grafikkort, en bildskärm, ett Sun-kompatibelt tangentbord, mus och musmatta. Dessa komponenter levereras inte med systemet. Se *Ägarhandbok för Sun Enterprise 220R* för mer information.

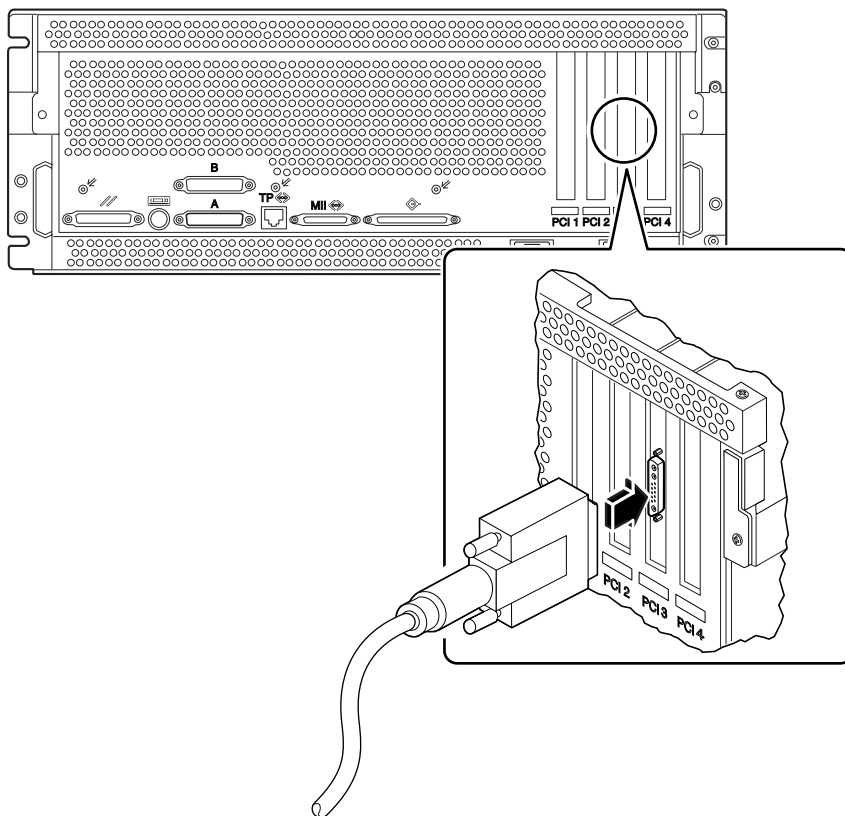
1. Installera grafikkortet på en ledig PCI-plats.

Se *Sun Enterprise 220R Server Service Manual* eller kontakta er kvalificerade Sun-servicerepresentant.

2. Anslut bildskärmskabeln till grafikkortets port.

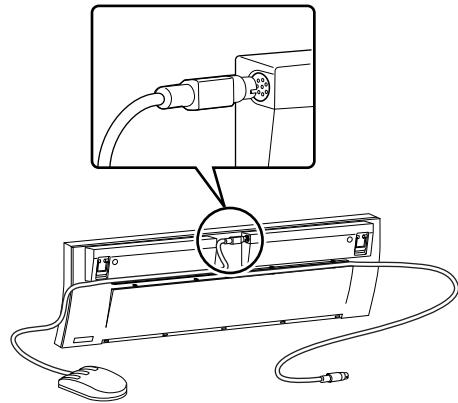
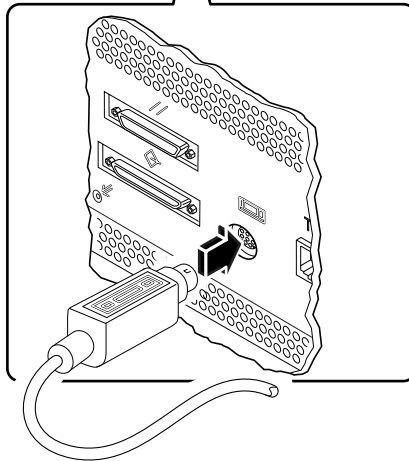
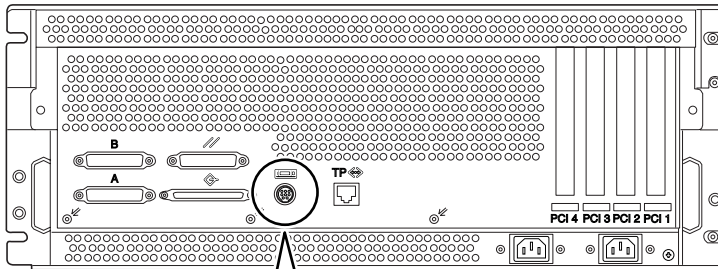
Skruva åt kontaktens skruvar för att se till att anslutningen blir god.

3. Anslut bildskärmens nätsladd till ett jordat strömuttag.



4. Anslut musen till tangentbordet.

5. Anslut tangentbordet till systemet.



Återställa racket

Se de instruktioner du fick med racket för information om hur du utför följande steg.

1. Dra kablarna i racket så de ligger praktiskt och lätthanterligt.
2. Sätt tillbaka rackets ben som skall hindra att racket välter, om detta är aktuellt.
3. Sätt tillbaka sidopanelerna, om detta är aktuellt.
4. Sätt tillbaka dörrarna på fram- och baksidan, om detta är aktuellt.

Slå på systemet



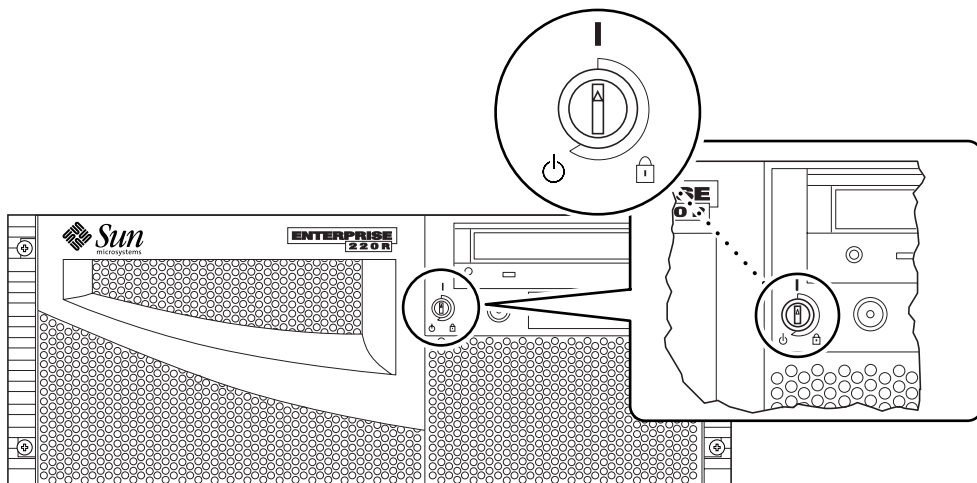
Varning! Flytta aldrig systemet medan det är påslaget. Om du gör detta kan katastrofala hårddiskfel uppstå. Stäng alltid av systemet innan du flyttar det.



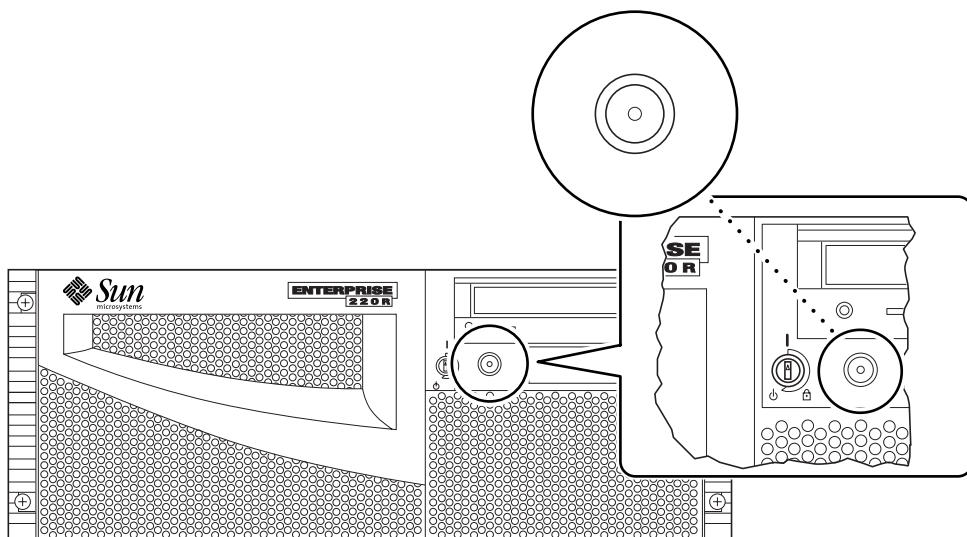
Varning! Innan du slår på systemet måste du kontrollera att höljet sitter ordentligt.

1. Slå på strömmen till eventuella externa tillbehör och lagringsenheter.
2. Slå på strömmen till eventuell bildskärm eller terminal.

3. Vrid nyckelbrytaren på frontpanelen till Power-On/Off-läge.



4. Tryck en gång på frontpanelens påslagningsknapp.

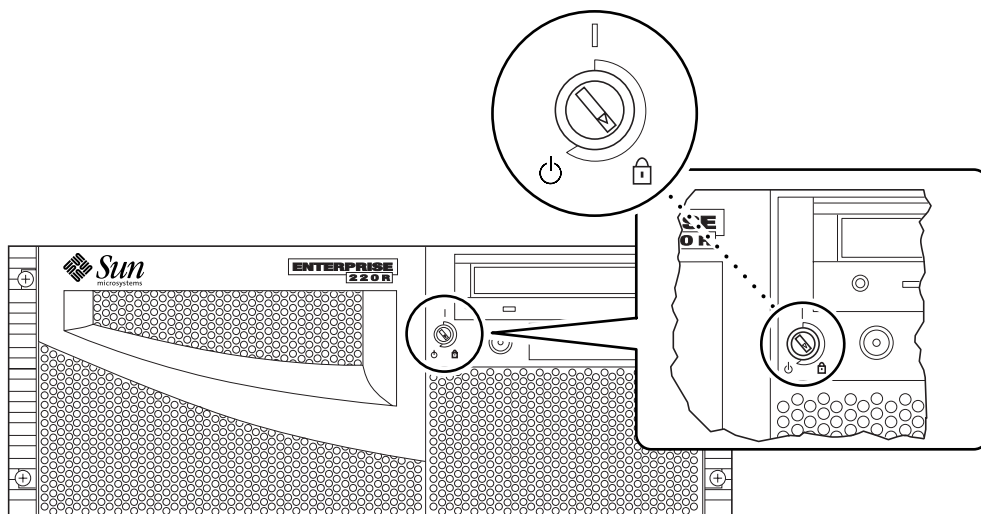


Obs! Det kan ta allting mellan 30 sekunder och två minuter innan bild visas på bildskärmen eller OK-prompten visas på den anslutna terminalen. Hur lång tid det tar beror på hur djupgående POST-diagnostiken är (POST, power-on self-test).

Obs! Om du behöver stänga av systemet hänvisar vi till *Ägarhandbok för Sun Enterprise 220R* för mer information.

5. Vrid nyckelbrytaren till läget Locked.

Locked-läget gör att man inte oavsiktligt kan stänga av systemet.



Installera operativsystemet

Om du installerar Solaris 7 eller senare hänvisar vi till den dokumentation som medföljer Solaris™-programvaran och *Ägarhandbok för Sun Enterprise 220R* för installationsinformation.

Om du installerar Solaris 2.6 Hardware 5/98 måste du använda *Operating Environment Installation CD* som medföljer systemet. Under installationen lägger den här CD:n till extra korrigeringar som gör att Solaris fungerar med processorer på 450 MHz.

CD:n innehåller inte själva Solaris-programvaran. Du måste ha mediasatsen för Solaris 2.6 Hardware 5/98 för att kunna installera denna Solaris-version. Vid rätt ställe i informationen ber installationsprogrammet på *Operating Environment Installation CD* dig att installera Solaris.

Den här CD:n behövs inte om Solaris 7 eller senare installeras.

För installationsinstruktioner hänvisar vi till den dokumentation som medföljer *Operating Environment Installation CD*.

Installera online-dokumentation

Dokumentationssatsen innehåller en CD-ROM-skiva med online-dokumentation som beskriver hur du använder, underhåller och utför service på systemet. Se den dokumentation som medföljde CD:n för installationsinstruktioner.

Krav på rack

Servern är gjord så att den skall kunna installeras i ett 72 tum (184 cm) högt Sun-expansionskabinett eller något annat EIA-kompatibelt marknadsstandards-rack som uppfyller de krav som står i tabellen nedan. Du behöver en Sun-rackmonteringssats för varje server som skall rackmonteras.

Rackmonteringsfunktion	Krav
Maximal belastning	Racket måste klara av vikten hos en Sun Enterprise 220R-server (34 kg), plus vikten hos rackmonteringsmaskinvaran, plus vikten hos eventuella andra installerade enheter.
Krav på utrymme i höjddled	Varje server behöver fyra rackenheters (7 tum, 17,78 cm) utrymme i höjddled för rackinstallation. I ett 72-tumskabinett (183 cm) får det plats upp till nio servrar.
Luftflöde	Systemet kräver luftflöde på 53 liter per sekund med 40° C och 3 000 m. Detta luftflöde är 149 kg/timme på vilken höjd som helst och 36 liter per sekund med 40° C vid havsytan. För att ventilationen skall fungera kräver varje system i racket 181 kvadratcentimeters obegränsat luftinflöde på systemets farmsida och 148 kvadratcentimeters obegränsat luftutflöde på systemet baksida. Det skall vara minst 3,8 cm mellan eventuella dörrar på rackets fram- eller baksida.

Rackmonteringsfunktion	Krav
Krav på rackets lodräta räls	<p>Racket måste ha två par lodräta monteringsrälsar (ett par där fram och ett par där bak) som följer EIA-standard (RETMA) för mellanrum mellan monteringshål.</p> <p>Rälsutrymmet från vänster till höger sida (från monteringshålmitt till monteringshålmitt) för fram- och bakrälsen måste vara 46,5 cm.</p> <p>Rälsutrymmet från fram till bak måste vara minst 68,26 cm och inte över 88,5 cm från framrälsens utsida till den bakre rälsens utsida.</p> <p>Monteringssidorna på rackets främre och bakre lodräta rälsar måste riktas i linje med varandra och med rackets framplan.</p>
Dörrar och paneler	<p>Om du använder ett Sun-expansionskabiott kan du ta loss framdörren och sidopanelerna för att lättare kunna komma åt systemet. Om ni använder något annat rack hänvisar vi till de instruktioner ni fått till det.</p>
EMI-krav	<p>Krav på sköldning mot elektromagnetisk interferens (EMI) uppfylls genom systemchassit och sidopanelerna av metall, som fortfarande sitter på när enheten är rackmonterad.</p>
Tippskydd	<p>Racket måste sitta ordentligt fastsatt i golvet eller vara utrustat med robusta och utökningsbara tippskyddsben. Du måste se till att racket inte tippar framåt även om ett eller flera system eller en eller flera enheter är så långt utdragna de kan vara, utan att vara uttagna ur racket.</p>
Minimiyta nödvändig för service	<p>Det måste finnas en yta på minst 1x2 meter framför racket för att det skall gå att utföra installation och service.</p> <p>När systemet är helt utdraget i skenorna kommer systemet att sticka ut med 75,6 cm utanför rackets främre lodräta monteringsrälsar.</p>
Brandinneslutning	<p>Racket måste uppfylla kraven på brandinneslutning från Underwriters Laboratories, Inc. och TUV Rheinland of N.A.</p>

Copyright 1999 Sun Microsystems, Inc., 901 San Antonio Road • Palo Alto, CA 94303 Etats-Unis. Tous droits réservés.

Ce produit ou document est protégé par un copyright et distribué avec des licences qui en restreignent l'utilisation, la copie, la distribution, et la décompilation. Aucune partie de ce produit ou document ne peut être reproduite sous aucune forme, par quelque moyen que ce soit, sans l'autorisation préalable et écrite de Sun et de ses bailleurs de licence, s'il y en a. Le logiciel détenu par des tiers, et qui comprend la technologie relative aux polices de caractères, est protégé par un copyright et licencié par des fournisseurs de Sun.

Des parties de ce produit pourront être dérivées des systèmes Berkeley BSD licenciés par l'Université de Californie. UNIX est une marque déposée aux Etats-Unis et dans d'autres pays et licenciée exclusivement par X/Open Company, Ltd. La notice suivante est applicable à Netscape Communicator™ : Copyright 1995 Netscape Communications Corporation. All rights reserved.

Sun, Sun Microsystems, le logo Sun, Sun Enterprise, AnswerBook, AnswerBook2, docs.sun.com, et Solaris ont des marques de fabrique ou des marques déposées, ou marques de service, de Sun Microsystems, Inc. aux Etats-Unis et dans d'autres pays. Toutes les marques SPARC sont utilisées sous licence et sont des marques de fabrique ou des marques déposées de SPARC International, Inc. aux Etats-Unis et dans d'autres pays. Les produits portant les marques SPARC sont basés sur une architecture développée par Sun Microsystems, Inc.

L'interface d'utilisation graphique OPEN LOOK et Sun™ a été développée par Sun Microsystems, Inc. pour ses utilisateurs et licenciés. Sun reconnaît les efforts de pionniers de Xerox pour la recherche et le développement du concept des interfaces d'utilisation visuelle ou graphique pour l'industrie de l'informatique. Sun détient une licence non exclusive de Xerox sur l'interface d'utilisation graphique Xerox, cette licence couvrant également les licenciés de Sun qui mettent en place l'interface d'utilisation graphique OPEN LOOK et qui en outre se conforment aux licences écrites de Sun.

CETTE PUBLICATION EST FOURNIE "EN L'ETAT" ET AUCUNE GARANTIE, EXPRESSE OU IMPLICITE, N'EST ACCORDEE, Y COMPRIS DES GARANTIES CONCERNANT LA VALEUR MARCHANDE, L'APTITUDE DE LA PUBLICATION A REpondRE A UNE UTILISATION PARTICULIERE, OU LE FAIT QU'ELLE NE SOIT PAS CONTREFAISANTE DE PRODUIT DE TIERS. CE DENI DE GARANTIE NE S'APPLIQUERAIT PAS, DANS LA MESURE OU IL SERAIT TENU JURIDIQUEMENT NUL ET NON AVENU.

Copyright 1999 Sun Microsystems, Inc., 901 San Antonio Road • Palo Alto, CA 94303 USA. Alle Rechte vorbehalten.

Dieses Produkt oder Dokument ist urheberrechtlich geschützt und wird unter Lizenzen vertrieben, die seine Verwendung, Vervielfältigung, Weitergabe und Dekompilierung einschränken. Ohne die vorherige schriftliche Genehmigung von Sun und gegebenenfalls seiner Lizenznehmer darf dieses Produkt oder Dokument weder ganz noch auszugsweise in irgendeiner Form oder mit irgendwelchen Mitteln reproduziert werden. Die Software von Fremdherstellern, einschließlich der Font-Technologie, ist urheberrechtlich geschützt und von Sun-Lieferanten lizenziert.

Teile dieses Produkts können auf Berkeley BSD-Systemen basieren, die von der University of California lizenziert werden. UNIX ist ein in den USA und anderen Ländern eingetragenes Warenzeichen, das ausschließlich über die X/Open Company, Ltd., lizenziert wird. Für Netscape Communicator™ gilt folgendes: Copyright 1995 Netscape Communications Corporation. Alle Rechte vorbehalten.

Sun, Sun Microsystems, das Sun-Logo, Sun Enterprise, AnswerBook, AnswerBook2, docs.sun.com und Solaris sind Warenzeichen, eingetragene Warenzeichen oder Dienstleistungsmarken von Sun Microsystems, Inc., in den USA und in anderen Ländern. Alle SPARC-Warenzeichen werden unter Lizenz verwendet und sind Warenzeichen oder eingetragene Warenzeichen von SPARC International, Inc., in den USA und in anderen Ländern. Produkte, die SPARC-Warenzeichen tragen, basieren auf einer von Sun Microsystems, Inc., entwickelten Architektur.

OPEN LOOK und Sun™ Graphical User Interface wurden von Sun Microsystems, Inc., für seine Benutzer und Lizenznehmer entwickelt. Sun anerkennt dabei die von Xerox geleistete Forschungs- und Entwicklungsarbeit auf dem Gebiet der visuellen oder grafischen Benutzeroberflächen für die Computerindustrie. Sun ist Inhaber einer nicht ausschließlichen Lizenz von Xerox für die grafische Benutzeroberfläche von Xerox. Diese Lizenz gilt auch für Suns Lizenznehmer, die OPEN LOOK-Benutzeroberflächen implementieren und sich an die schriftlichen Lizenzvereinbarungen mit Sun halten.

DIE DOKUMENTATION WIRD IN DER VORLIEGENDEN FORM GELIEFERT, UND ALLE AUSDRÜCKLICHEN ODER IMPLIZITEN REGELUNGEN, ZUSAGEN UND GEWÄHRLEISTUNGEN, EINSCHLIESSLICH JEDLICHER IMPLIZITEN GEWÄHRLEISTUNG HINSICHTLICH HANDELSÜBLICHER QUALITÄT, DER EIGNUNG FÜR EINEN BESTIMMTEN ZWECK UND DER WAHRUNG DER RECHTE DRITTER, WERDEN AUSGESCHLOSSEN, SOWEIT EIN SOLCHER HAFTUNGSAUSSCHLUSS GESETZLICH ZULÄSSIG IST.



Copyright 1999 Sun Microsystems, Inc., 901 San Antonio Road • Palo Alto, CA 94303 USA. Tutti i diritti riservati.

Questo prodotto o documento è protetto da copyright ed è distribuito sotto licenze che ne limitano l'uso, la copia, la distribuzione e la decompilazione. Nessuna parte di questo documento può essere riprodotta, in qualunque forma o con qualunque mezzo, senza la previa autorizzazione scritta di Sun e dei suoi eventuali concessionari di licenza. I prodotti software di terze parti, incluse le tecnologie dei font, sono protetti da copyright e concessi in licenza dai fornitori Sun.

Alcune parti di questo prodotto possono derivare dai sistemi Berkeley BSD, concessi in licenza dalla University of California. UNIX è un marchio registrato negli Stati Uniti e in altri paesi ed è distribuito su licenza esclusivamente da X/Open Company, Ltd. Netscape Communicator™, è applicabile quanto segue: Copyright 1995 Netscape Communications Corporation. Tutti i diritti riservati.

Sun, Sun Microsystems, il logo Sun, Sun Enterprise, AnswerBook, AnswerBook2, docs.sun.com e Solaris sono marchi, marchi registrati o marchi di servizio di Sun Microsystems, Inc. negli Stati Uniti e in altri paesi. Tutti i marchi SPARC sono utilizzati su licenza e sono marchi o marchi registrati di SPARC International, Inc. negli Stati Uniti e in altri paesi. I prodotti con marchio SPARC sono basati su un'architettura sviluppata da Sun Microsystems, Inc.

Le interfacce utente grafiche OPEN LOOK e Sun™ sono state sviluppate da Sun Microsystems, Inc. per i suoi utenti e concessionari. Sun riconosce gli sforzi innovativi di Xerox nella ricerca e lo sviluppo del concetto di interfaccia visiva o grafica per l'industria informatica. Sun è titolare di una licenza non esclusiva di Xerox per la GUI Xerox; tale licenza copre anche le licenze Sun che implementano le GUI OPEN LOOK e che sono conformi agli accordi stipulati con Sun.

QUESTA PUBBLICAZIONE VIENE FORNITA SENZA GARANZIE DI ALCUN TIPO, NÉ ESPLICITE NÉ IMPLICITE, INCLUSE, MA SENZA LIMITAZIONE, LE GARANZIE IMPLICITE DI COMMERCIALIZZABILITÀ, IDONEITÀ AD UN DETERMINATO SCOPO, O NON VIOLAZIONE, FATTA ECCEZIONE PER LE GARANZIE PREVISTE DALLA LEGGE.

Copyright 1999 Sun Microsystems, Inc., 901 San Antonio Road • Palo Alto, CA 94303 USA. Todos los derechos reservados.

Este producto o documento está protegido por las leyes de propiedad intelectual y distribuido bajo licencias que restringen su uso, copia, distribución y descompilación. Ninguna parte de este producto o documento puede reproducirse de ninguna forma ni por ningún medio sin la autorización previa por escrito de Sun y sus cedentes, si los hubiera. El software de terceros, incluida la tecnología de fuentes, está protegido por copyright y se utiliza bajo licencia de los proveedores de Sun.

Puede que algunas partes de este producto provengan de sistemas Berkeley BSD, con licencia de la Universidad de California. UNIX es una marca registrada en los EE.UU. y en otros países con licencia exclusiva de X/Open Company, Ltd. En relación con Netscape Communicator™ se aplica la nota siguiente: Copyright 1995 Netscape Communications Corporation. Todos los derechos reservados.

Sun, Sun Microsystems, el logotipo de Sun, Sun Enterprise, AnswerBook, AnswerBook2, docs.sun.com y Solaris son marcas comerciales, marcas registradas o marcas de servicio de Sun Microsystems, Inc. en los EE.UU. y en otros países. Todas las marcas comerciales SPARC se utilizan bajo licencia y son marcas comerciales o marcas registradas de SPARC International, Inc. en los EE.UU. y en otros países. Los productos con marcas comerciales SPARC están basados en una arquitectura desarrollada por Sun Microsystems, Inc.

OPEN LOOK y la Interfaz gráfica de usuario Sun™ ha sido desarrollada por Sun Microsystems, Inc. para sus usuarios y licenciatarios. Sun reconoce los esfuerzos pioneros de Xerox en la investigación y desarrollo del concepto de interfaces gráficas o visuales de usuario para el sector informático. Sun posee una licencia no exclusiva de Xerox de la Interfaz gráfica de usuario Xerox, que se hace extensiva a los licenciatarios de Sun que implementen las interfaces gráficas OPEN LOOK y cumplan con los acuerdos de licencia escritos de Sun.

ESTA PUBLICACIÓN SE ENTREGA "TAL CUAL", SIN GARANTÍA DE NINGUNA CLASE, NI EXPRESA NI IMPLÍCITA, LO QUE INCLUYE CUALQUIER GARANTÍA IMPLÍCITA DE COMERCIALIZACIÓN, ADECUACIÓN A UN PROPÓSITO ESPECÍFICO O NO INFRACCIÓN, HASTA EL LÍMITE EN QUE TALES EXENCIONES DE GARANTÍA NO SE CONSIDEREN VÁLIDAS EN TÉRMINOS LEGALES.



Copyright 1999 Sun Microsystems, Inc., 901 San Antonio Road • Palo Alto, CA 94303 USA. Med ensamrätt.

Denna produkt eller detta dokument skyddas av upphovsrättslagen och distribueras med en licens som reglerar kopiering, distribution och dekompilering av produkten/dokumentet. Denna produkt eller detta dokument får inte utan skriftlig tillåtelse från Sun eller Suns licensgivare kopieras på något sätt. Tredjepartsprogramvara, inklusive teckensnittsteknologi, skyddas av upphovsrättslag och är licensierad från Suns leverantörer.

Delar av denna produkt härrör från Berkeley BSD-system, för vilka Sun har licenser från University of California. UNIX är ett registrerat varumärke i USA och andra länder, exklusivt licensierat via X/Open Company, Ltd. Följande gäller Netscape Communicator™: Copyright 1995 Netscape Communications Corporation. Med ensamrätt.

Sun, Sun Microsystems, Sun-logotypen, Sun Enterprise, AnswerBook, AnswerBook2, docs.sun.com och Solaris är varumärken, registrerade varumärken eller servicemärken för Sun Microsystems, Inc. i USA och andra länder. Alla SPARC-varumärken används under licens och är varumärken eller registrerade varumärken för SPARC International, Inc. i USA och andra länder. Produkter med varumärket SPARC är baserade på en arkitektur utvecklad av Sun Microsystems, Inc.

OPEN LOOK och Sun™s grafiska användargränssnitt har utvecklats av Sun Microsystems, Inc. för användare och licenstagare. Sun erkänner Xerox banbrytande insatser inom forskningen om, och utvecklingen av, begreppet visuellt eller grafiskt användargränssnitt för datorindustrin. Sun har en icke-exklusiv licens från Xerox avseende Xerox grafiska användargränssnitt, som också omfattar Suns licenstagare som utvecklar grafiska användargränssnitt med OPEN LOOK, och i övrigt uppfyller Suns skriftliga licensavtal.

DOKUMENTATIONEN TILLHANDAHÅLLS I "BEFINTLIGT SKICK". INGET ANSVAR TAS FÖR UTTRYCKT ELLER UNDERFÖRSTÅDD INFORMATION, GARANTIER, INKLUSIVE UNDERFÖRSTÅDD GARANTI AV ANVÄNDBARHET FÖR EN VISS UPPGIFT, SÅVIDA INTE GÄLLANDE LAG PÅBJUDER ANNAT.

