

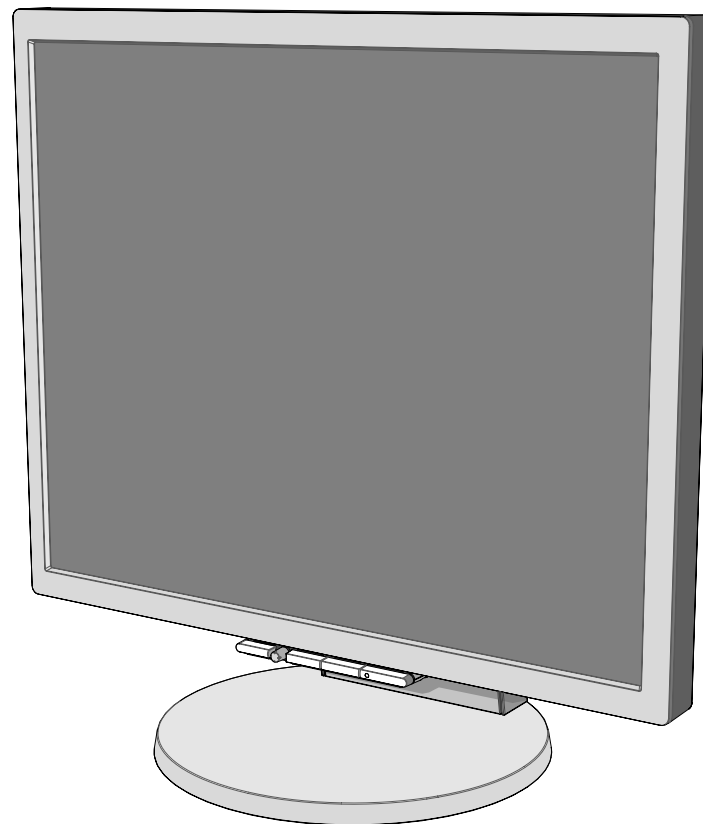


19-INCH FLAT PANEL LCD MONITOR

Gen2

X7198A

Owner's Guide
Bedienungsanleitung
Manual del usuario
Manuel de Utilisateur
Manuale Utente
Bruksanvisning
ユーザーズマニュアル
用户手册
用户手册
사용설명서





Index

Warning, Caution	English-1
Unpacking the Flat Panel LCD Monitor	English-2
Contents	English-3
Front Panel Overview	English-4
Back Panel Overview	English-5
Quick Start	English-6
Controls	English-10
Safety Instructions	English-12
Specifications	English-14
Features	English-15
Troubleshooting	English-16
TCO'03.....	English-17
Manufacturer's Recycling and Energy Information	English-18



Preliminary Information

- Recommended timing: 1280x1024x60
(Alternate 1280x1024 timings will work with the analog mode only. No composite sync timings, such as 1280x1024x75 or 1280x1024x75 will work for the DVI digital input)
- DVI input is preferred
- For DVI input, many OSD items are not active due to the high quality and precision and quality of the digital DVI signals.
- This monitor will not scale alternate resolutions natively, and using resolutions <1280x1024 will fill the screen in a way which degrades the video quality. Only 1280x1024x60 should be used to assure optimal video performance.

Features

- 4-position joystick for ease of navigation of OSD.
- Tilt, height adjustment, and swivel
- Cable management inside rear cover
- Master power switch to assure all power to the monitor is disabled.
- Plug and Play: Allows the monitor to send its capabilities (such as screen size and resolutions supported) directly to your computer, automatically optimizing display performance.
- No Touch Auto Adjust automatically adjusts your optimal image settings upon initial power-on. (Analog only)





English


 **WARNING** 


TO PREVENT FIRE OR SHOCK HAZARDS, DO NOT EXPOSE THIS UNIT TO RAIN OR MOISTURE. ALSO, DO NOT USE THIS UNIT'S POLARIZED PLUG WITH AN EXTENSION CORD RECEPTACLE OR OTHER OUTLETS UNLESS THE PRONGS CAN BE FULLY INSERTED.

REFRAIN FROM OPENING THE CABINET AS THERE ARE HIGH VOLTAGE COMPONENTS INSIDE. REFER SERVICING TO QUALIFIED SERVICE PERSONNEL.

 **CAUTION** 

CAUTION: TO REDUCE THE RISK OF ELECTRIC SHOCK, MAKE SURE POWER CORD IS UNPLUGGED FROM WALL SOCKET. TO FULLY DISENGAGE THE POWER TO THE UNIT, PLEASE DISCONNECT THE POWER CORD FROM THE AC OUTLET. DO NOT REMOVE COVER (OR BACK). NO USER SERVICEABLE PARTS INSIDE. REFER SERVICING TO QUALIFIED SERVICE PERSONNEL.

 This symbol warns user that uninsulated voltage within the unit may have sufficient magnitude to cause electric shock. Therefore, it is dangerous to make any kind of contact with any part inside this unit.

 This symbol alerts the user that important literature concerning the operation and maintenance of this unit has been included. Therefore, it should be read carefully in order to avoid any problems.

Caution:

When operating the X7198A with a 220-240V AC power source in Europe, use the power cord provided with the monitor.

In the UK, a BS approved power cord with a moulded plug has a Black (five Amps) fuse installed for use with this equipment. If a power cord is not supplied with this equipment please contact your supplier.

When operating the X7198A with a 220-240V AC power source in Australia, use the power cord provided with the monitor. If a power cord is not supplied with this equipment please contact your supplier.

For all other cases, use a power cord that matches the AC voltage of the power outlet and has been approved by and complies with the safety standard of your particular country.

Canadian Department of Communications Compliance Statement

DOC: This Class B digital apparatus meets all requirements of the Canadian Interference-Causing Equipment Regulations.

C-UL: Bears the C-UL Mark and is in compliance with Canadian Safety Regulations according to CAN/CSA C22.2 No. 60950-1.

FCC Information

- Use the attached specified cables with the X7198A (L194RH) color monitor so as not to interfere with radio and television reception.
Please use the supplied shielded video signal cable. Use of other cables and adapters may cause interference with radio and television reception.
- This equipment has been tested and found to comply with the limits for a Class B digital device, pursuant to part 15 of the FCC Rules. These limits are designed to provide reasonable protection against harmful interference in a residential installation. This equipment generates, uses, and can radiate radio frequency energy, and, if not installed and used in accordance with the instructions, may cause harmful interference to radio communications. However, there is no guarantee that interference will not occur in a particular installation. If this equipment does cause harmful interference to radio or television reception, which can be determined by turning the equipment off and on, the user is encouraged to try to correct the interference by one or more of the following measures:
 - Reorient or relocate the receiving antenna.
 - Increase the separation between the equipment and receiver.
 - Connect the equipment into an outlet on a circuit different from that to which the receiver is connected.
 - Consult your dealer or an experienced radio/TV technician for help.

If necessary, the user should contact the dealer or an experienced radio/television technician for additional suggestions. The user may find the following booklet, prepared by the Federal Communications Commission, helpful: "How to Identify and Resolve Radio-TV Interference Problems." This booklet is available from the U.S. Government Printing Office, Washington, D.C., 20402, Stock No. 004-000-00345-4.

ENERGY STAR is a U.S. registered trademark.
All other brands and product names are trademarks or registered trademarks of their respective owners.

English-1





Unpacking the Flat Panel LCD Monitor

Carefully unpack the flat panel LCD monitor from the packing box. Your flat panel LCD monitor configuration might not contain all the components shown.

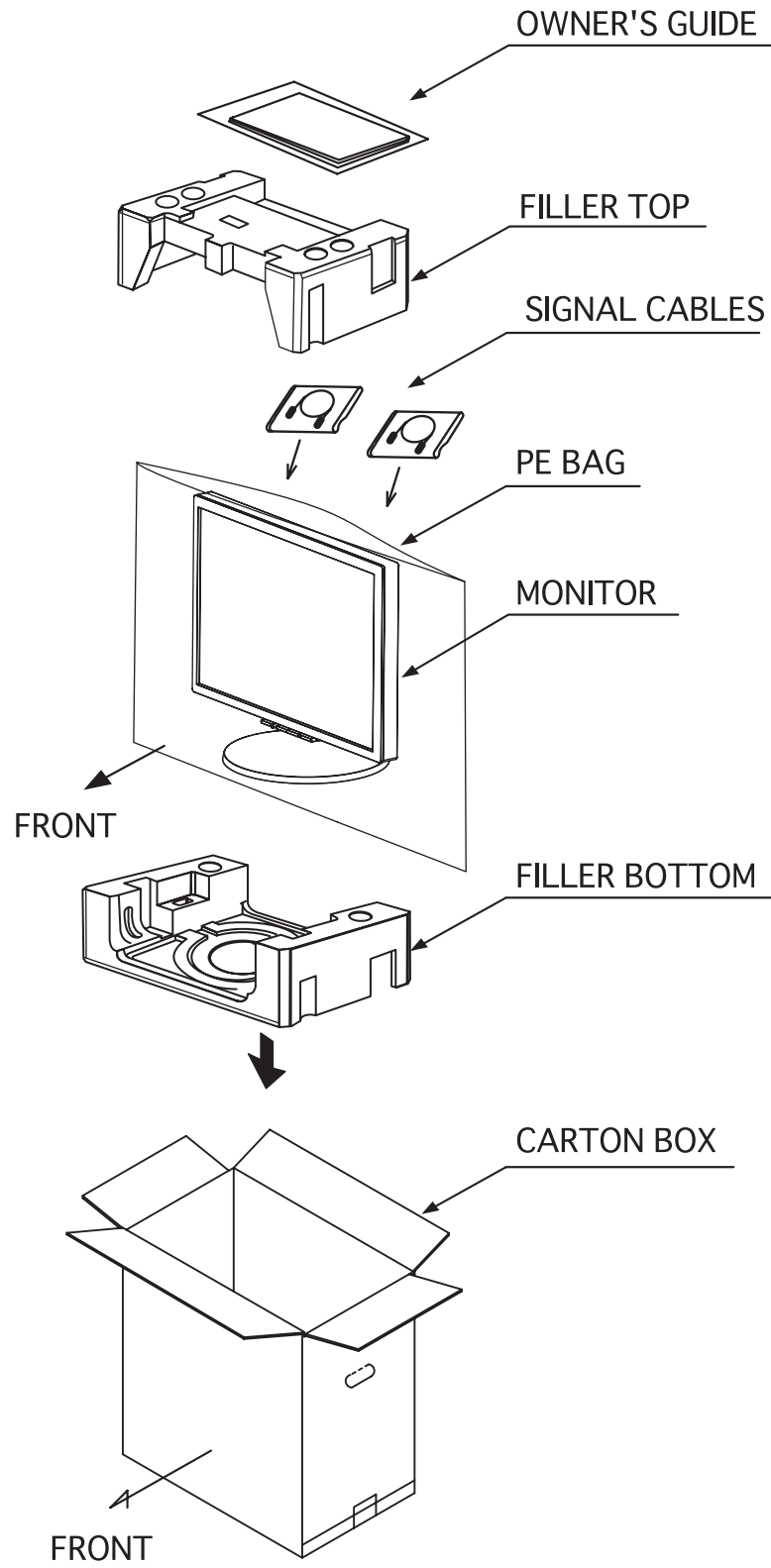


FIGURE 1-1 Unpacking the Flat Panel LCD Monitor

English-2



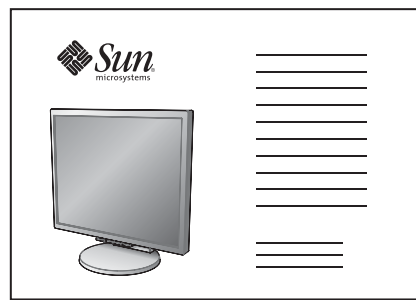


Contents

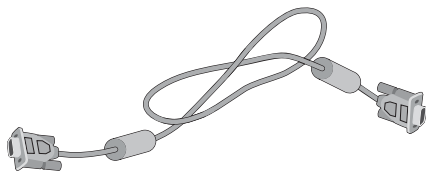
English

Your new X7198A Flat Panel LCD monitor box* should contain the following:

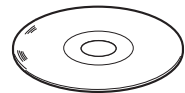
- X7198A Flat Panel LCD monitor with tilt/swivel/height adjust stand
- Video Signal Cable (HD15 to HD15)
- Video Signal Cable (DVI-D to DVI-D)
- Setup
- CD ROM (includes complete Owner's Guide in PDF and HTML).
To see the Owner's Guide, Acrobat Reader 4.0 or higher must be installed on your PC.



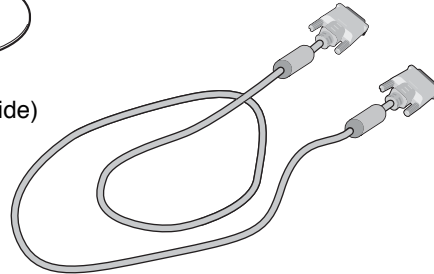
Setup



HD15 to HD15 - 1.8m (Analog video)



CD-ROM
(Owner's Guide)



DVI-D to DVI-D - 3m (Digital video)



* Remember to save your original box and packing material to transport or ship the monitor.

English-3



Front Panel Overview

The following numbered list corresponds to the number captions in FIGURE 1-2.

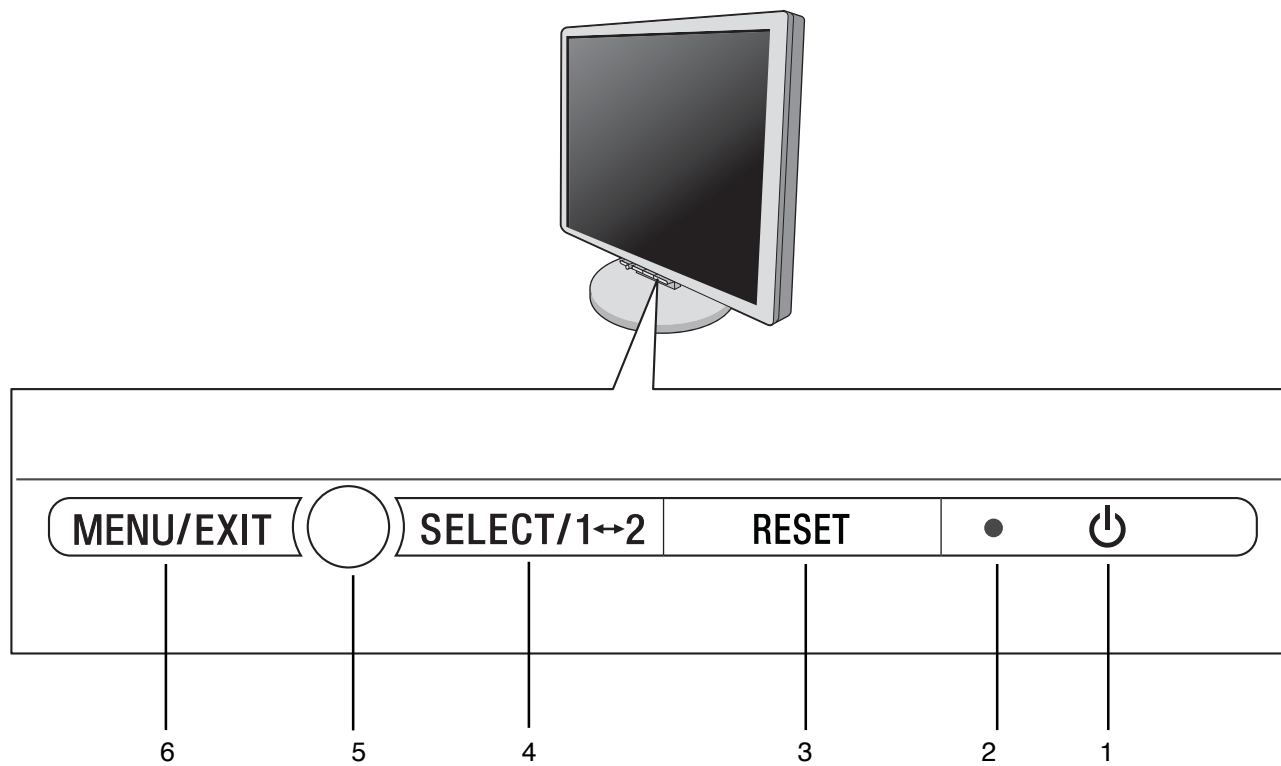


FIGURE 1-2 Front Panel Overview

1. Power Switch
2. Power-Indicator LED
3. RESET button
4. SELECT/1↔2 button
5. CONTROL button - 4-position Joy Stick*
6. MENU/EXIT button

*NOTE: 4-position Joy Stick functionality only with no center position switch activation.

English-4



Back Panel Overview

The following numbered list corresponds to the number captions in FIGURE 1-3.

English

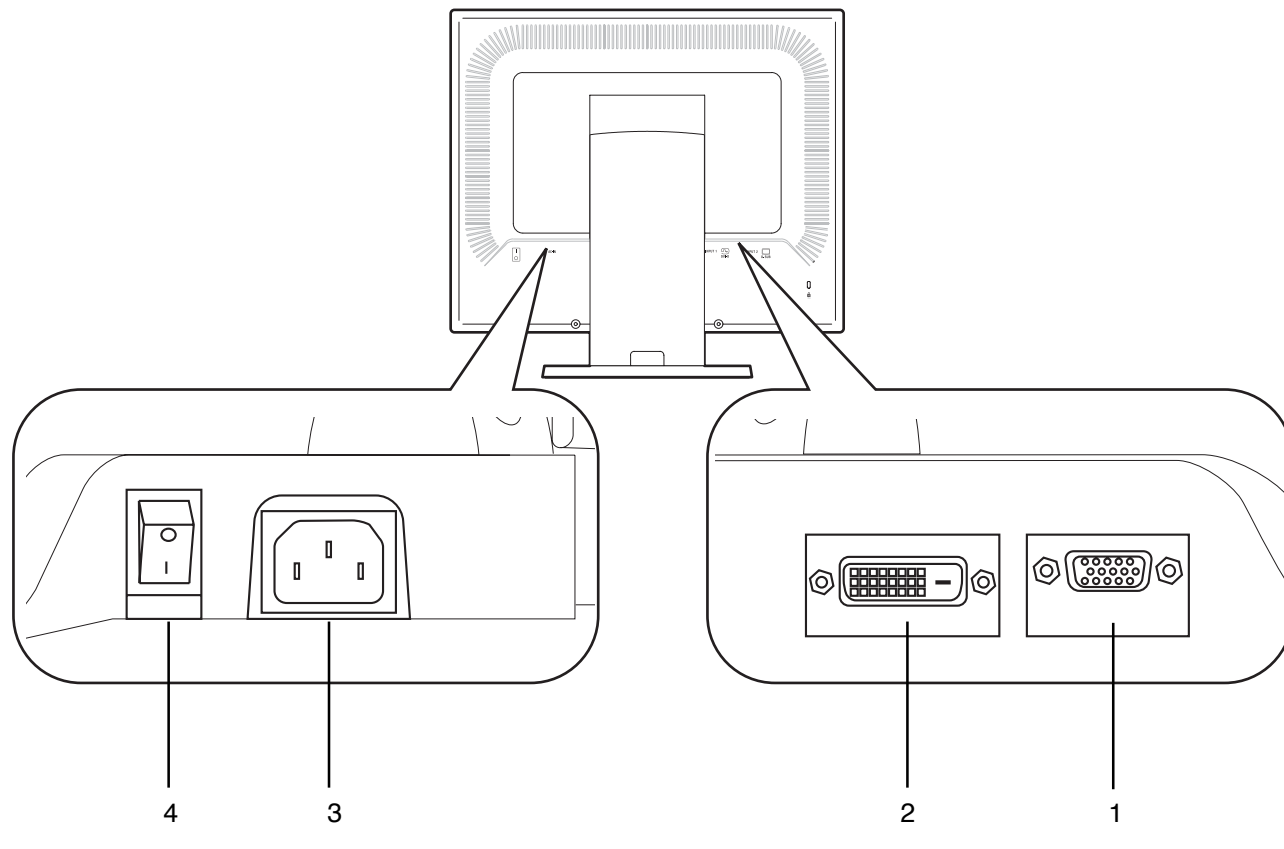


FIGURE 1-3 Back Panel Overview

1. HD15(D-SUB) connector
2. DVI-D connector
3. AC Input connector
4. Master Power Switch

English-5



Quick Start

To attach the X7198A Flat Panel LCD monitor to your system, follow these instructions:

1. Attach the power cord to the power outlet on the monitor. (The power cord is not included with the monitor.)
2. The Master Power Switch (**Figure B.1**) must be turned on for the monitor to operate.
3. To attach the X7198A Flat Panel LCD monitor to your system, connect the DVI-D or HD15 cable between the computer and the monitor. (DVI-D is always preferred to assure optimal video quality.)

NOTE: Some Macintosh systems do not require a Macintosh cable adapter.

4. Place hands on each side of the monitor to tilt the LCD panel 30-degree angle and lift up to the highest position (**Figure A.1**).
5. If you wish to use the cable management system, raise the rear cover (**Figure A.2**) and route the cables through the appropriate guides found there.

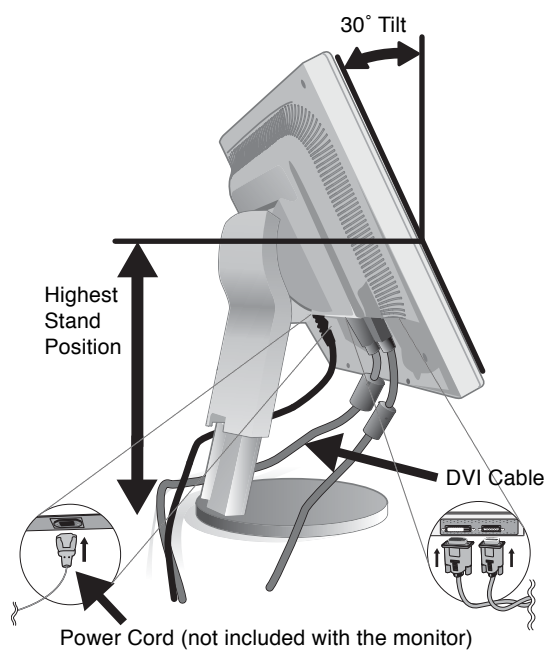


Figure A.1

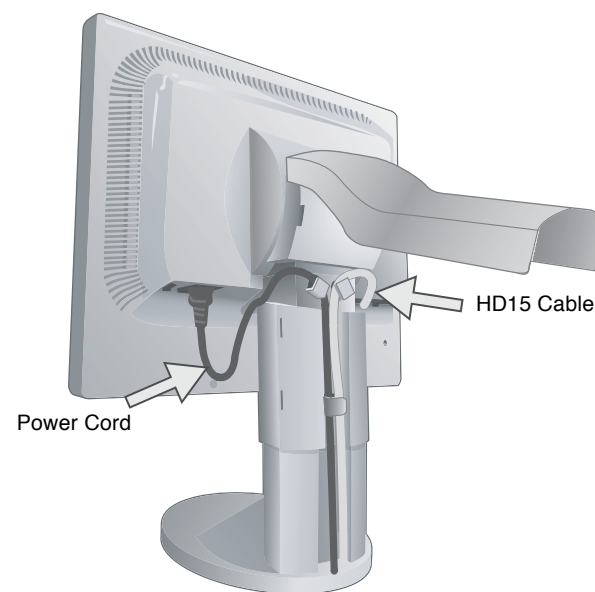


Figure A.2

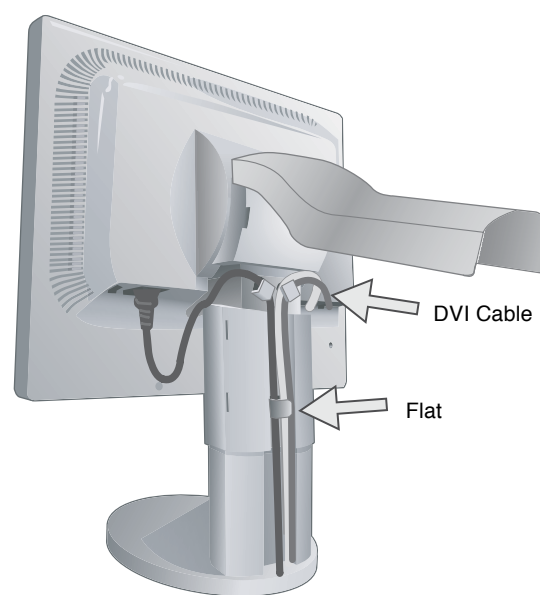


Figure A.3

English-6



NOTE: The Master Power Switch on the back side of the monitor must be turned on (**Figure B.1**). Turn on the monitor with the front power button and the computer.

NOTE: The Master Power Switch is a true on/off switch. If this switch is on the OFF position, the monitor cannot be turned on using the front button. DO NOT switch on/off repeatedly.

6. No-Touch Auto Adjust automatically adjusts the monitor to optimal settings upon initial setup for most timings. For further adjustments, use the following OSD controls:

- Auto Adjust Contrast (Analog input only)
- Auto Adjust (Analog input only)

Refer to the **Controls** section of this User's Manual for a full description of these OSD controls.

NOTE: If you have any problems, please refer to the **Troubleshooting** section of this User's Manual.

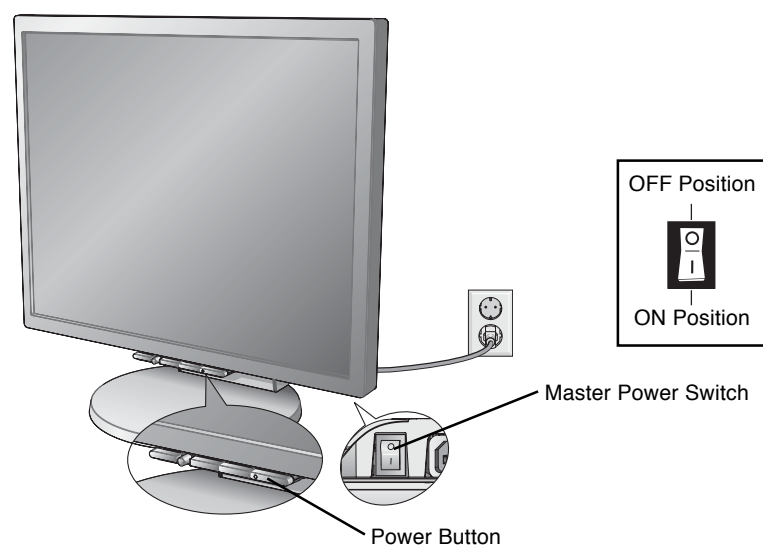


Figure B.1





Raise and Lower Monitor Screen

The monitor may be raised or lowered. To raise or lower screen, place hands on each side of the monitor and lift or lower to the desired height (**Figure RL.1**).

NOTE: Handle with care when raising or lowering the monitor screen.

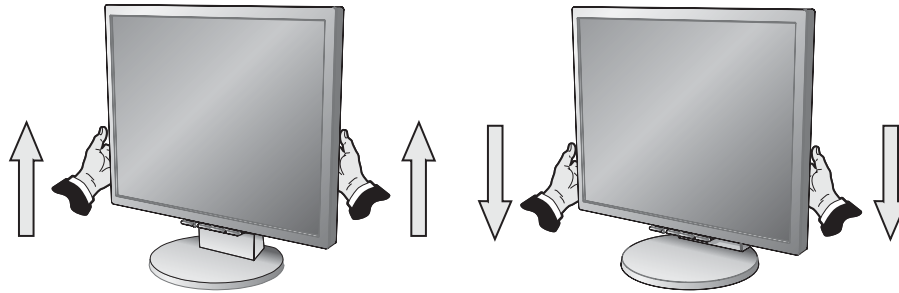


Figure RL.1

Tilt and Swivel

Grasp both sides of the monitor screen with your hands and adjust the tilt and swivel as desired (**Figure TS.1**).

NOTE: Handle with care when tilting and swivelling the monitor screen. Assure that the cables do not bind or stretch.

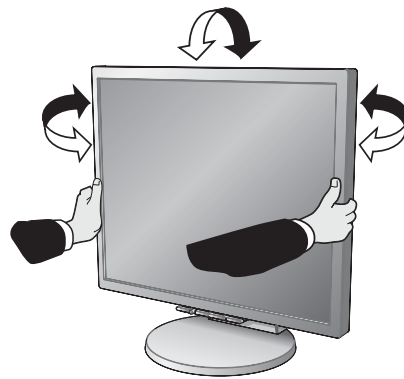


Figure TS.1

Remove Monitor Stand for Mounting

To prepare the monitor for alternate mounting purposes:

1. Place hands on each side of the monitor and lift up to the highest position. Remove the cable cover (**Figure S.1**).
2. Disconnect all cables.
3. Place monitor face down on a flat and clear non-abrasive surface (**Figure S.2**).

It is recommended to use a soft material under the monitor face.

NOTE: Handle with care when laying the monitor face down, to avoid damage to the front buttons.

4. Remove the 2 screws connecting the stand to the monitor (**Figure S.2**).

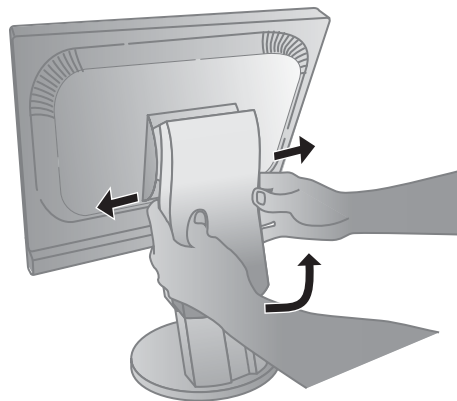


Figure S.1

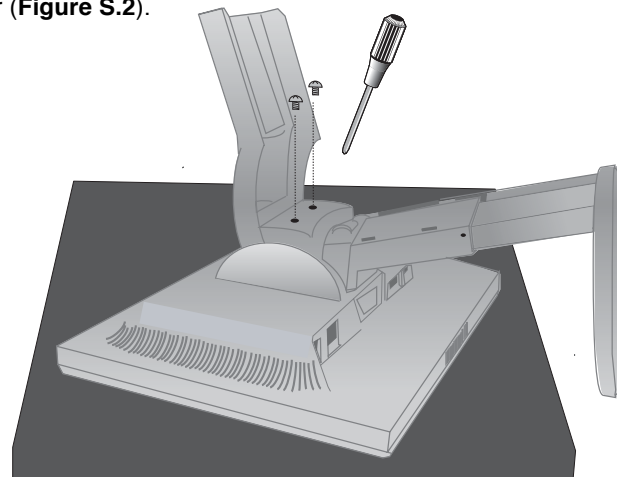


Figure S.2

English-8

